



US00D853036S

(12) **United States Design Patent** (10) **Patent No.:** **US D853,036 S**  
**Lee et al.** (45) **Date of Patent:** **\*\* Jul. 2, 2019**

(54) **COMPACT**  
(71) Applicant: **AMOREPACIFIC CORPORATION**,  
Seoul (KR)  
(72) Inventors: **Sang Ah Lee**, Seoul (KR); **Nana Choi**,  
Gyeonggi-do (KR)  
(73) Assignee: **AMOREPACIFIC CORPORATION**,  
Seoul (KR)  
(\*\*) Term: **15 Years**

6,070,749 A \* 6/2000 Joulia ..... A45D 40/221  
132/294  
D479,366 S \* 9/2003 Goswell ..... D28/82  
D496,759 S \* 9/2004 Rodriguez ..... D28/82  
D537,985 S \* 3/2007 Bakic ..... D28/82  
D599,953 S \* 9/2009 Gibson ..... D27/190  
D626,289 S \* 10/2010 Lee ..... D28/82  
D697,800 S \* 1/2014 Villarreal ..... D28/82  
D721,853 S \* 1/2015 Koo ..... D28/82  
D722,404 S \* 2/2015 Son ..... D28/82  
D722,405 S \* 2/2015 Hwang ..... D28/82  
D724,786 S \* 3/2015 Jung ..... D28/82  
D726,377 S \* 4/2015 Koo ..... D28/82

(Continued)

(21) Appl. No.: **29/604,715**  
(22) Filed: **May 19, 2017**  
(30) **Foreign Application Priority Data**

Feb. 16, 2017 (KR) ..... 30-2017-0007395

(51) **LOC (11) Cl.** ..... **28-03**

(52) **U.S. Cl.**  
USPC ..... **D28/82**

(58) **Field of Classification Search**  
USPC .... D28/64.1, 76-84; D9/503-505, 722, 529,  
D9/420, 425, 428; D3/295; D19/103,  
D19/106  
CPC ..... A45D 33/006; A45D 33/003; A45D  
33/04-33; A45D 33/025; A45D 33/02;  
A45D 33/20; A45D 33/22; A45D 33/24;  
A45D 33/26; A45D 33/28; A45D 33/18;  
A45D 40/22; A45D 40/222; A45D 40/24;  
A45D 2200/051-053; A45D  
2040/223-228

See application file for complete search history.

(56) **References Cited**

**U.S. PATENT DOCUMENTS**

D318,346 S \* 7/1991 Bakic ..... D28/82  
D342,808 S \* 12/1993 Bakic ..... D28/82  
D408,591 S \* 4/1999 Litton ..... D28/82

**OTHER PUBLICATIONS**

AmorePacific CC Cushion Compact 104 and 204, A Beautiful Zen,  
published Nov. 16, 2015, retrieved on Sep. 5, 2018, retrieved from  
the Internet URL: <http://abeautifulzen.blogspot.com/2015/11/amorepacific-cc-cushion-compact-review-104-204.html>.\*

(Continued)

*Primary Examiner* — Jennifer Rivard  
*Assistant Examiner* — Alison M Ofstun  
(74) *Attorney, Agent, or Firm* — Browdy and Neimark,  
P.L.L.C.

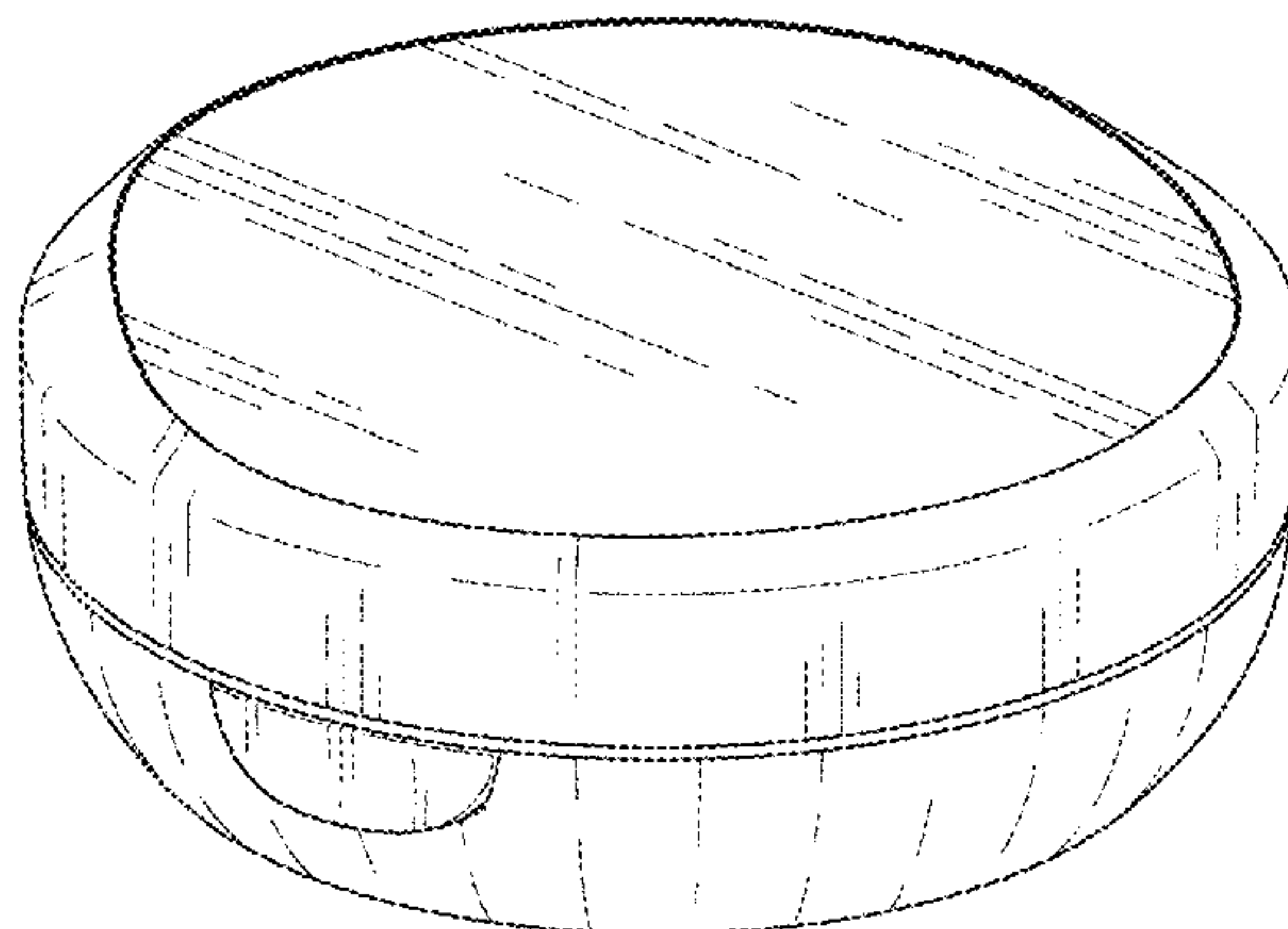
(57) **CLAIM**

The ornamental design for a compact, as shown and  
described.

**DESCRIPTION**

FIG. 1 is a perspective view of a compact showing our new  
design;  
FIG. 2 is a front elevation view;  
FIG. 3 is a rear elevation view;  
FIG. 4 is a left side view;  
FIG. 5 is a right side view;  
FIG. 6 is a top plan view; and,  
FIG. 7 is a bottom plan view.

**1 Claim, 5 Drawing Sheets**



(56)

**References Cited**

U.S. PATENT DOCUMENTS

D732,740 S	*	6/2015	Yoon	.....	D28/82
D742,070 S	*	10/2015	Park	.....	D28/82
D774,697 S	*	12/2016	Praster	.....	D28/82
D777,984 S	*	1/2017	Son	.....	D28/82
D788,371 S	*	5/2017	Lee	.....	D28/82
D793,624 S	*	8/2017	Hwang	.....	D28/82
D817,551 S	*	5/2018	Montoli	.....	A45D 33/00 D28/82

OTHER PUBLICATIONS

AmorePacific Color Control Cushion Compact Broad Spectrum SPF 50, Sephora.com, reviewed on Jun. 10, 2013, retrieved on Sep. 5, 2018, retrieved from the Internet URL: <https://www.sephora.com/product/color-control-cushion-compact-broad-spectrum-spf-50-P378121>.\*

\* cited by examiner

Fig. 1

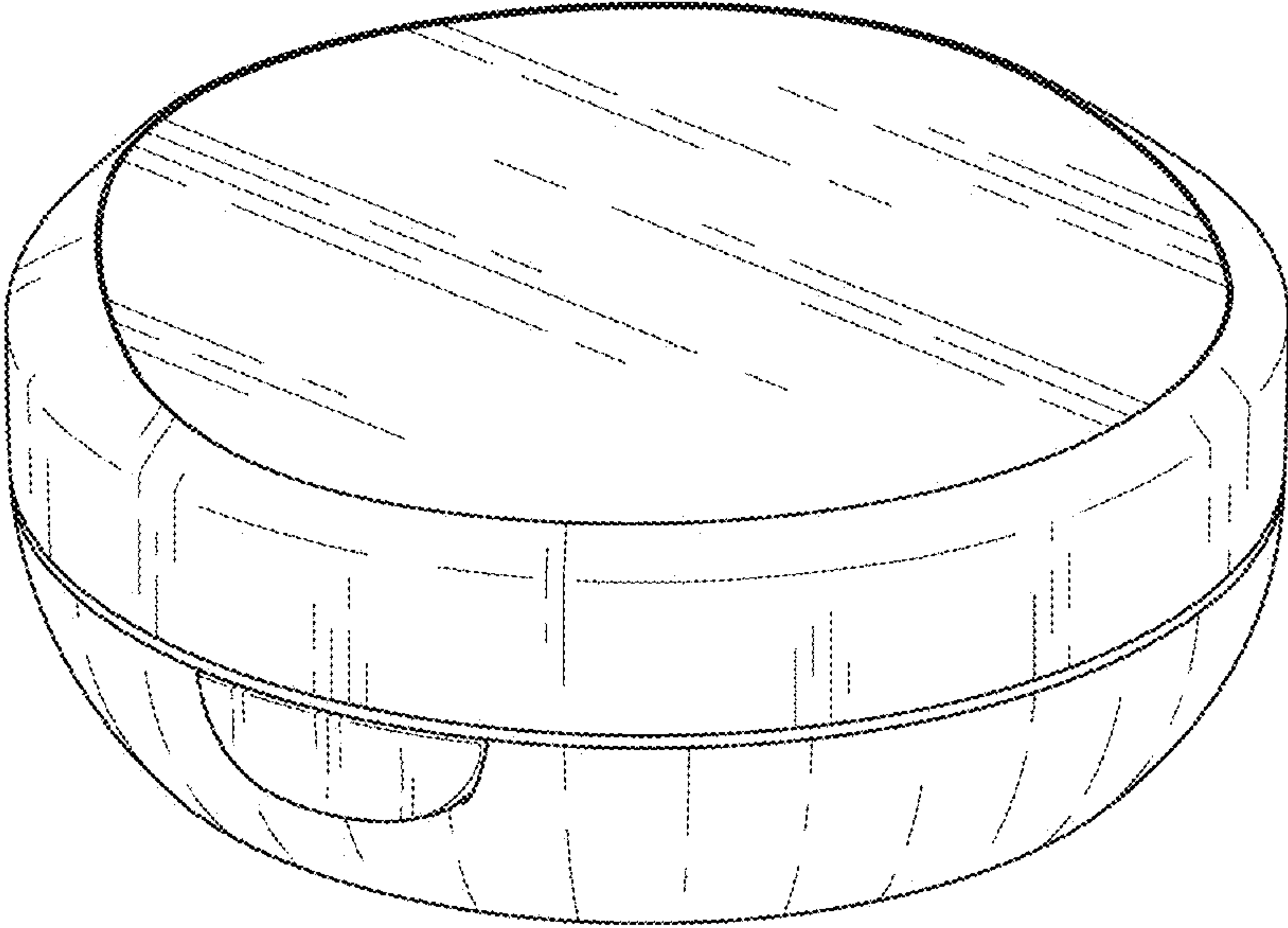


Fig. 2

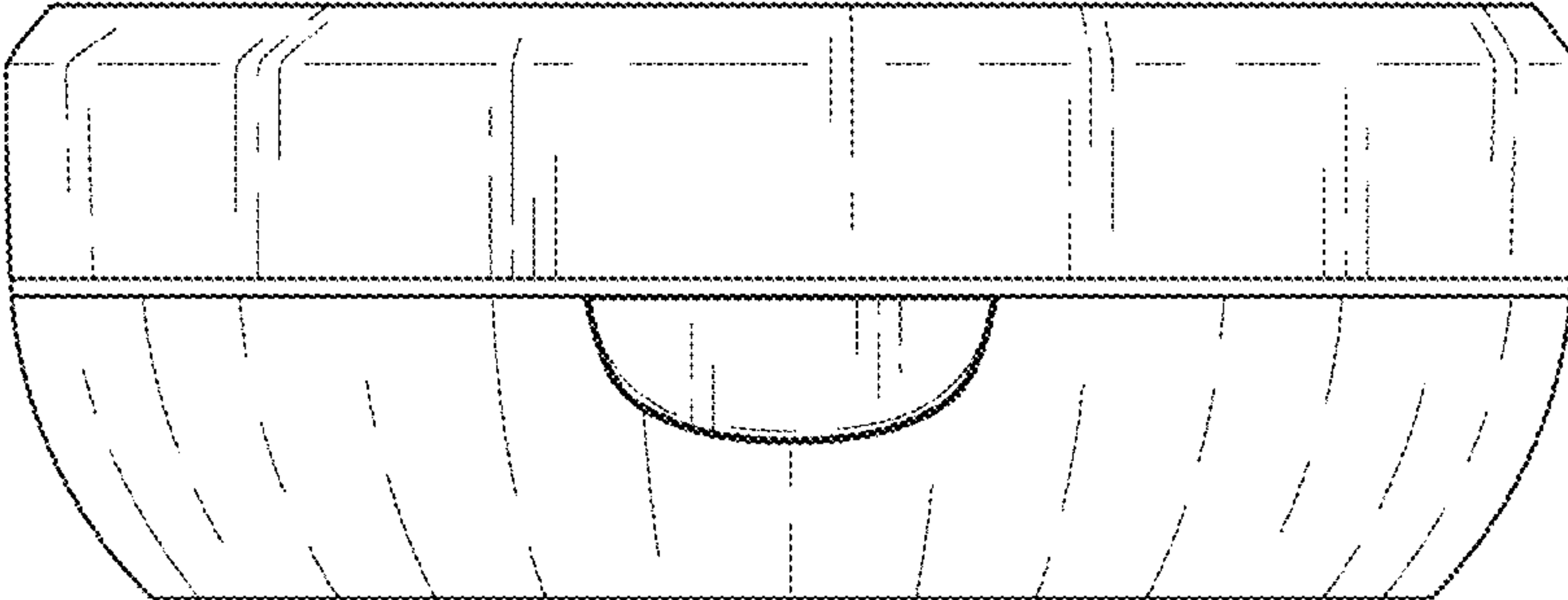


Fig. 3

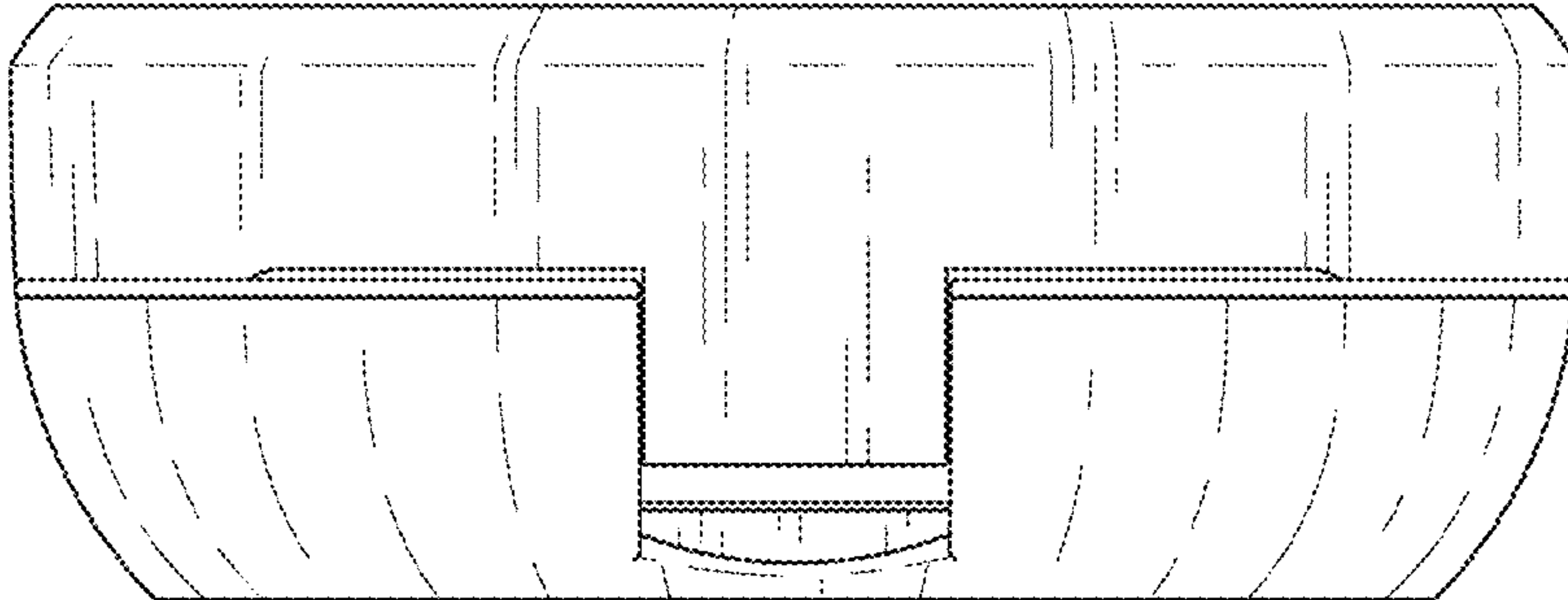


Fig. 4

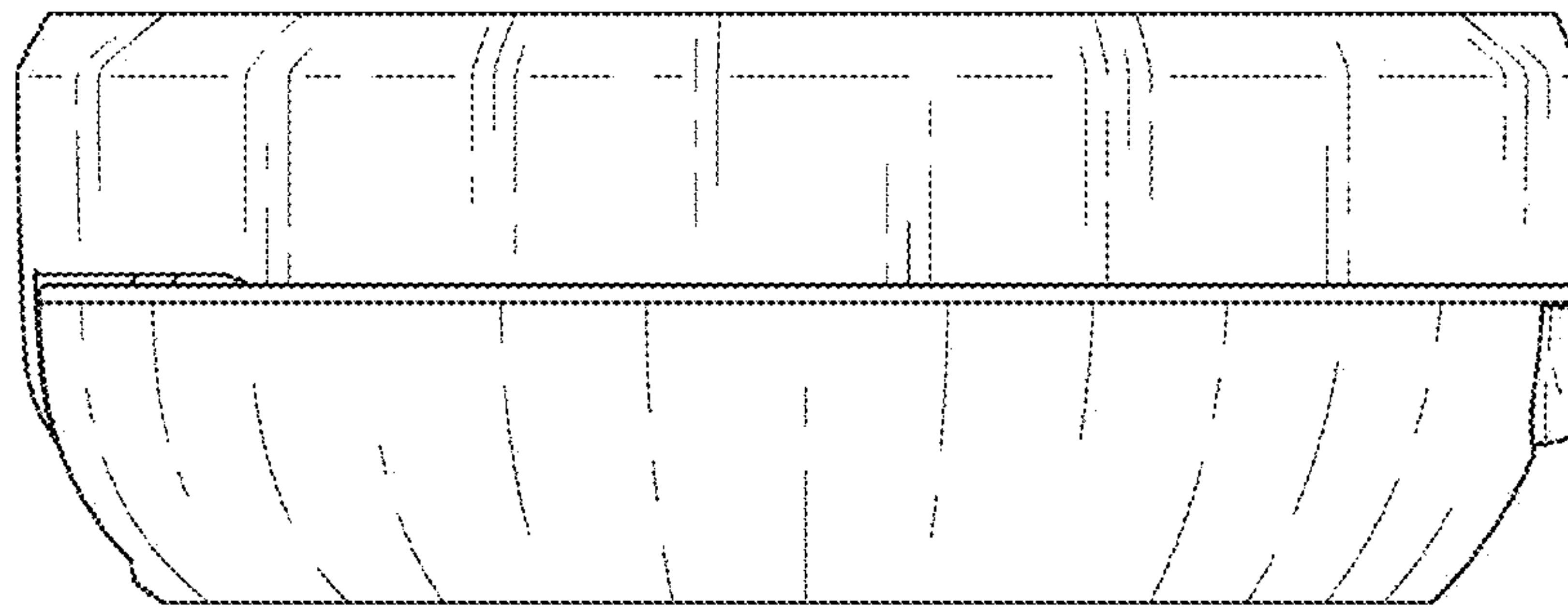


Fig. 5

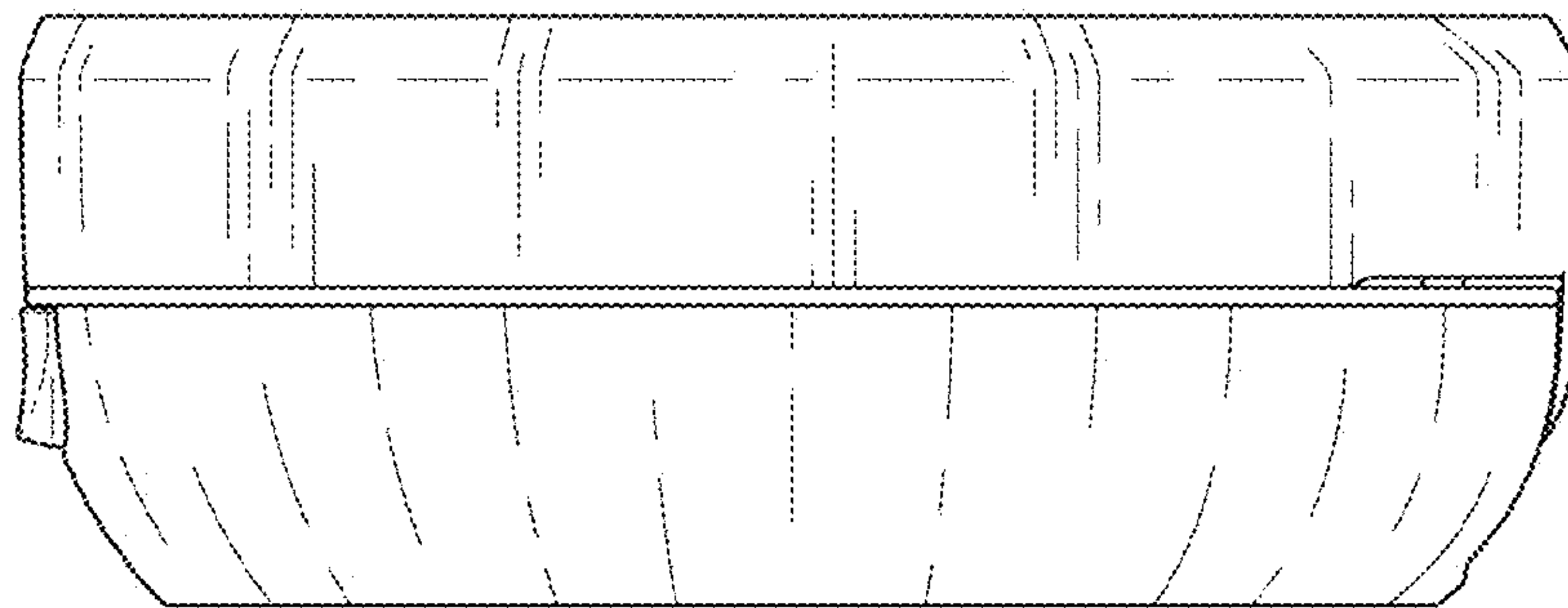


Fig. 6

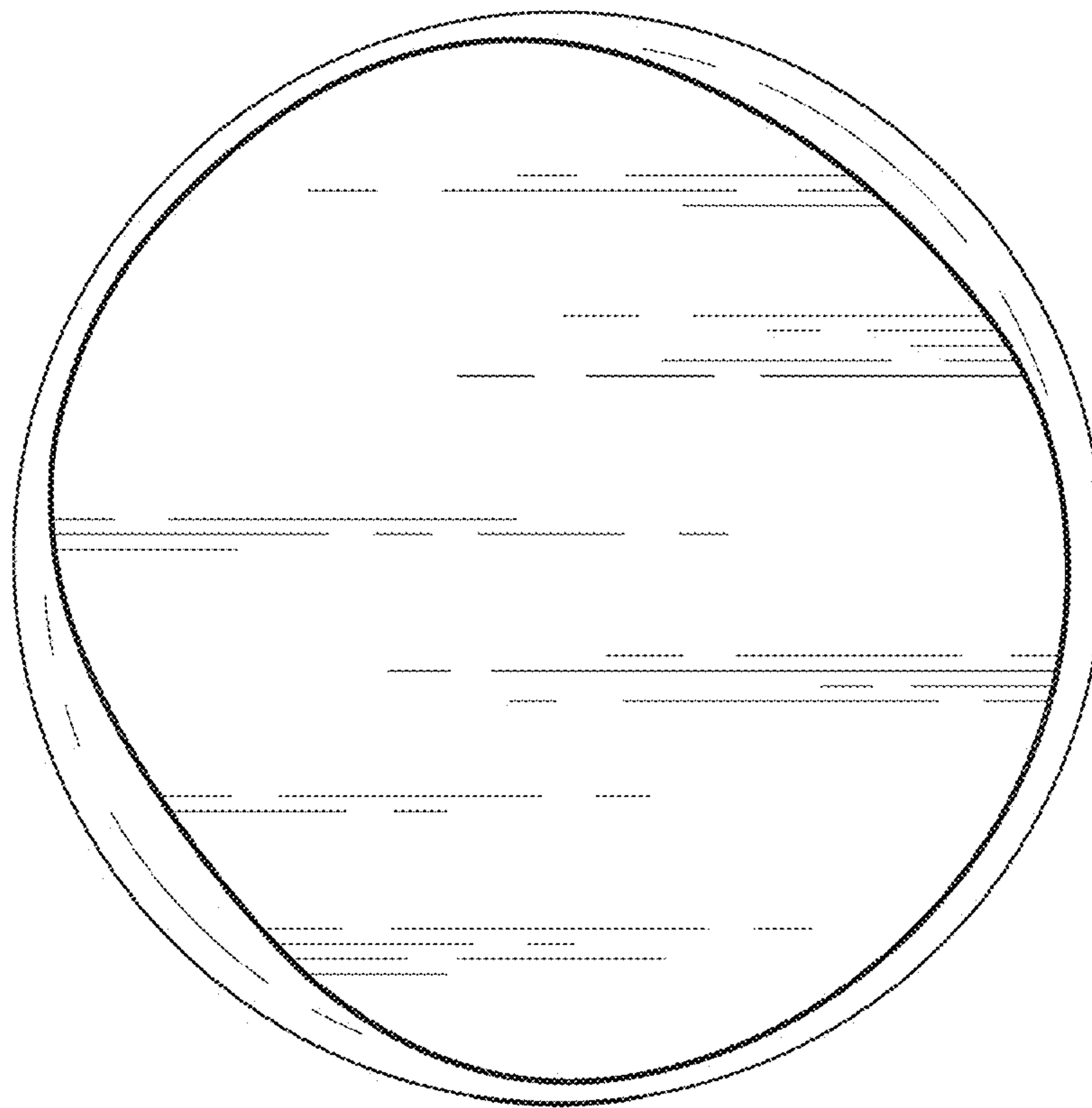




Fig. 7

