



US00D853035S

(12) **United States Design Patent** (10) **Patent No.:** **US D853,035 S**  
**Moretti** (45) **Date of Patent:** **\*\* Jul. 2, 2019**

(54) **SQUARED CONTAINER WITH CAP**

(71) Applicant: **LUMSON S.P.A.**, Capergnanica  
(Cremona) (IT)

(72) Inventor: **Matteo Moretti**, Capergnanica (IT)

(73) Assignee: **LUMSON S.P.A.**, Capergnanica  
(Cremona) (IT)

(\*\*) Term: **15 Years**

(21) Appl. No.: **29/585,535**

(22) Filed: **Nov. 25, 2016**

(30) **Foreign Application Priority Data**

May 25, 2016 (EM) ..... 003151679

(51) **LOC (11) Cl.** ..... **28-03**

(52) **U.S. Cl.**  
USPC ..... **D28/76; D9/529; D9/560**

(58) **Field of Classification Search**  
USPC ..... D28/76, 85-90; D9/572-575, 560, 529,  
D9/687, 686, 770, 782, 783, 503-504  
CPC ..... A45D 40/06-065  
See application file for complete search history.

(56) **References Cited**

**U.S. PATENT DOCUMENTS**

D271,337 S *	11/1983	Holloway	.....	D28/85
D279,510 S *	7/1985	Kairawicz	.....	D28/85
4,966,479 A *	10/1990	Idec	.....	A45D 40/04 132/320
D319,175 S *	8/1991	Ruesch	.....	D9/575
D334,083 S *	3/1993	Davis	.....	D28/85
D368,328 S *	3/1996	Wacker	.....	D28/85
5,599,124 A *	2/1997	Ackermann	.....	A45D 40/06 401/78

D467,039 S *	12/2002	Fuller	.....	D28/77
D471,324 S *	3/2003	Kalin	.....	D28/77
D478,513 S *	8/2003	Canamasas Puigbo	.....	D9/529
D478,690 S *	8/2003	Sgariboldi	.....	D28/85
D479,017 S *	8/2003	Sgariboldi	.....	D28/85
D479,018 S *	8/2003	Sgariboldi	.....	D28/85
D501,279 S *	1/2005	Dittmer	.....	D28/85
D513,815 S *	1/2006	Hollmann	.....	D28/88
D527,646 S *	9/2006	Cornet	.....	D9/560
D539,983 S *	4/2007	Nobuto	.....	D28/85
D567,447 S *	4/2008	Lee	.....	D28/85
D644,108 S *	8/2011	Vila Calvo	.....	D9/529
D712,596 S *	9/2014	Lee	.....	D28/77
D712,746 S *	9/2014	Widdison	.....	D9/529
D717,496 S *	11/2014	Gautier	.....	D28/77
D734,550 S *	7/2015	Schlatter	.....	D28/83
D744,167 S *	11/2015	Chertoff	.....	D28/85
D744,697 S *	12/2015	Chertoff	.....	D28/76
D777,037 S *	1/2017	Serafin	.....	D9/435
D808,280 S *	1/2018	Nagata	.....	D9/560
2008/0041747 A1 *	2/2008	Mihara	.....	A45D 40/06 206/385
2016/0199162 A1 *	7/2016	Brilliant	.....	A61C 3/02 132/328

\* cited by examiner

*Primary Examiner* — Jennifer Rivard  
(74) *Attorney, Agent, or Firm* — King & Schickli, PLLC

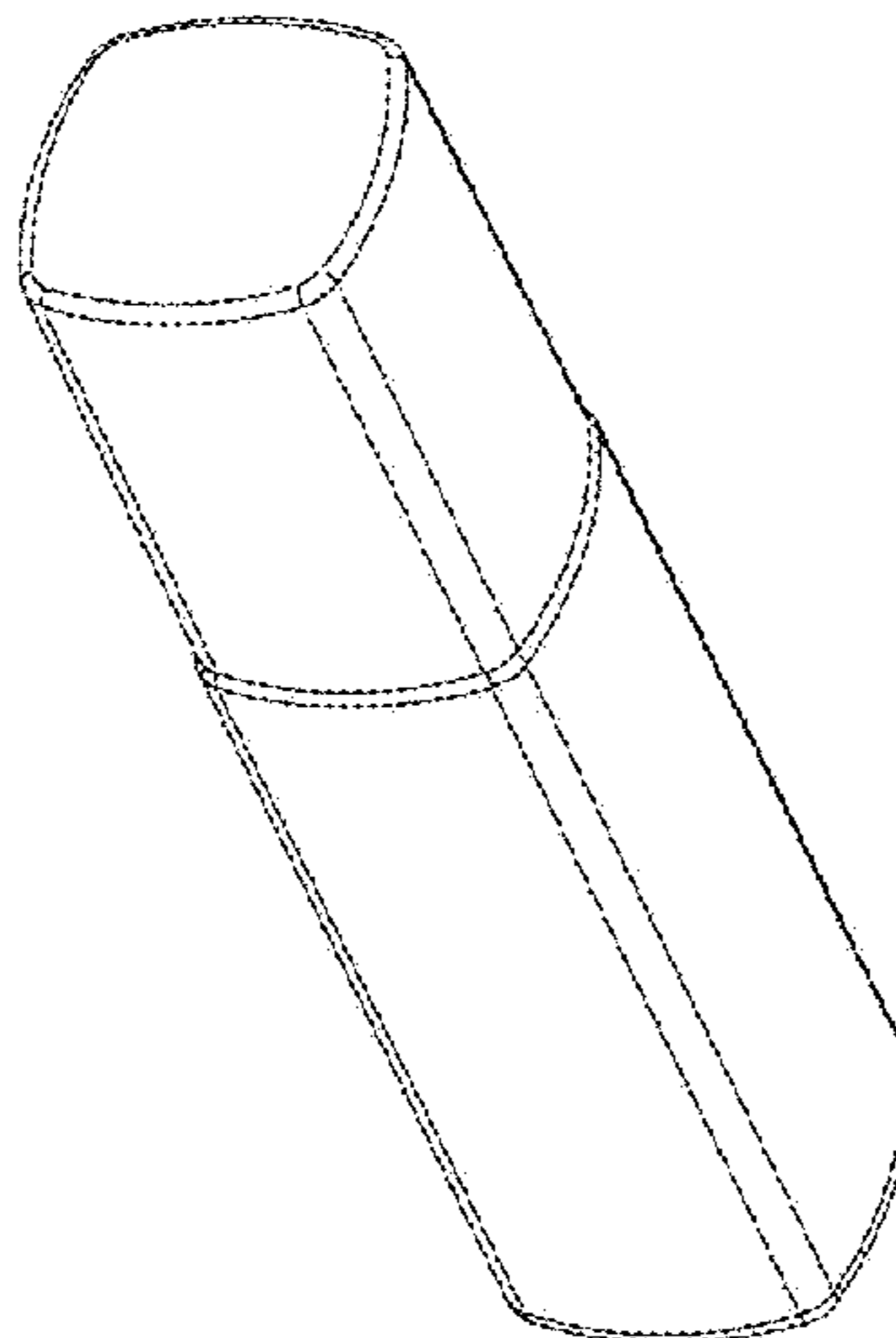
(57) **CLAIM**

The ornamental design for a squared container with cap, as shown and described.

**DESCRIPTION**

FIG. 1 is a perspective view of my design;  
FIG. 2 is a front view;  
FIG. 3 is a right side view;  
FIG. 4 is a left side view;  
FIG. 5 is a top view; and,  
FIG. 6 is a bottom view.

**1 Claim, 5 Drawing Sheets**



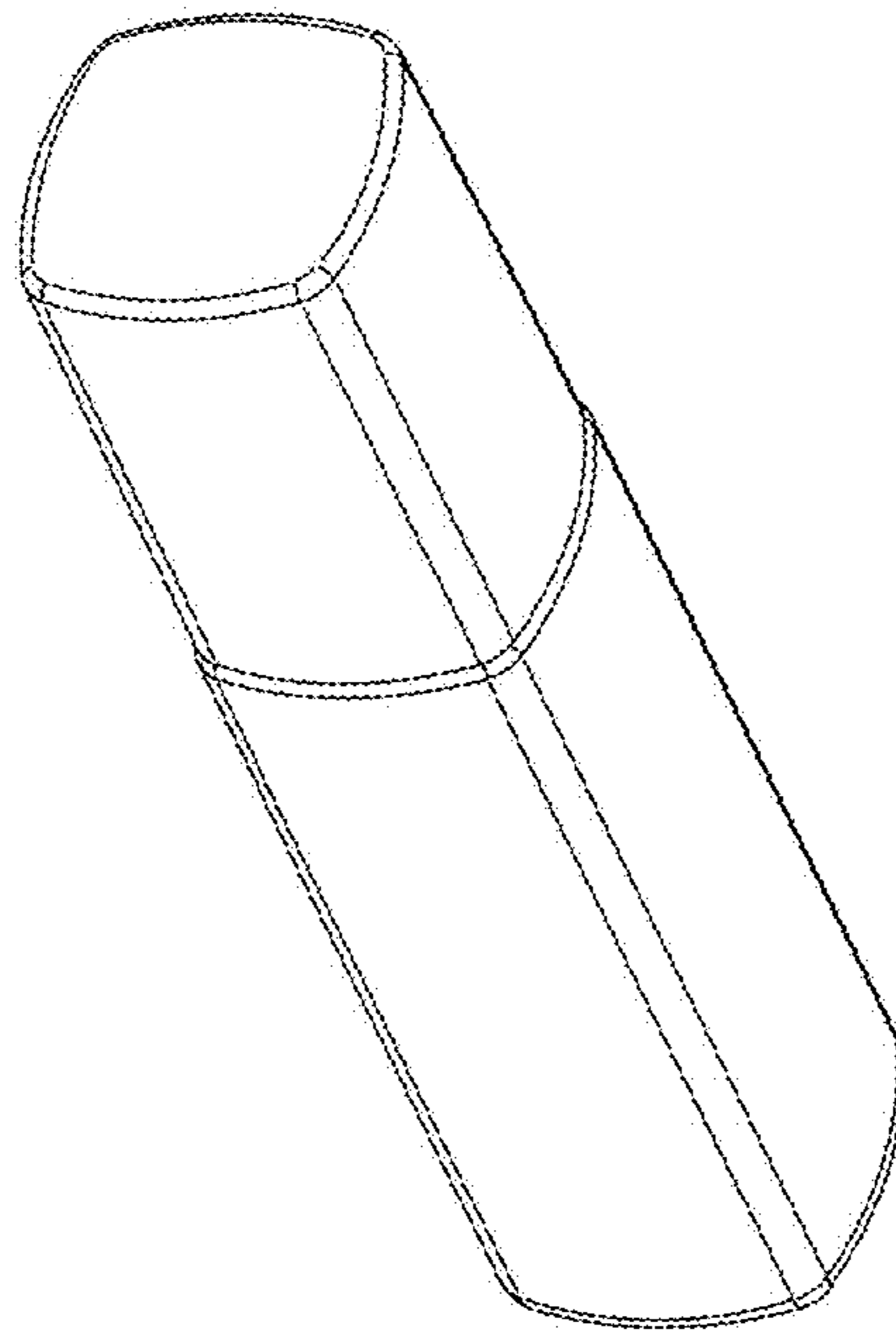


Fig. 1

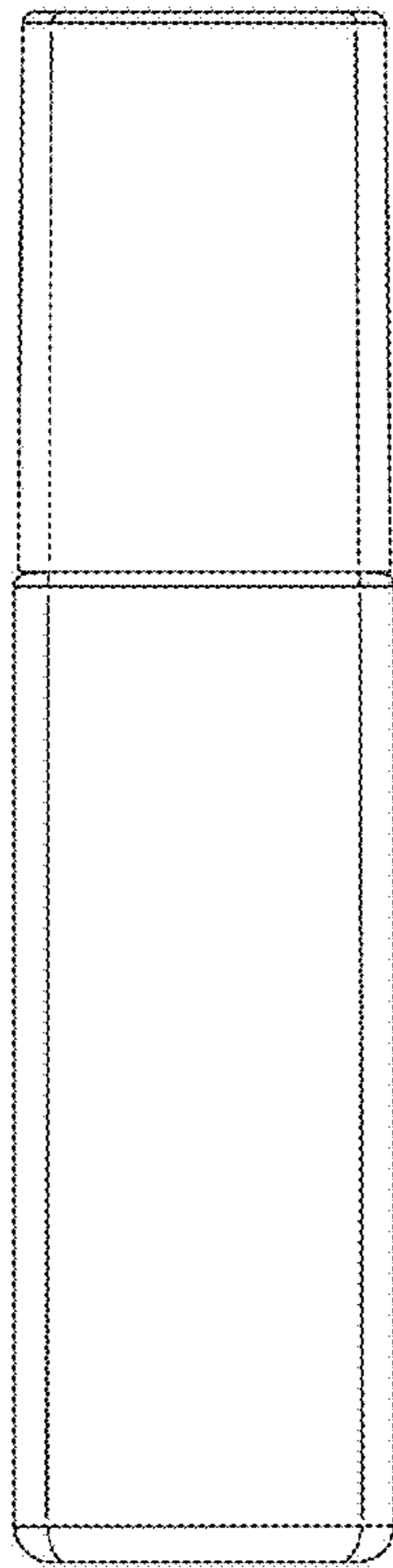


Fig. 2

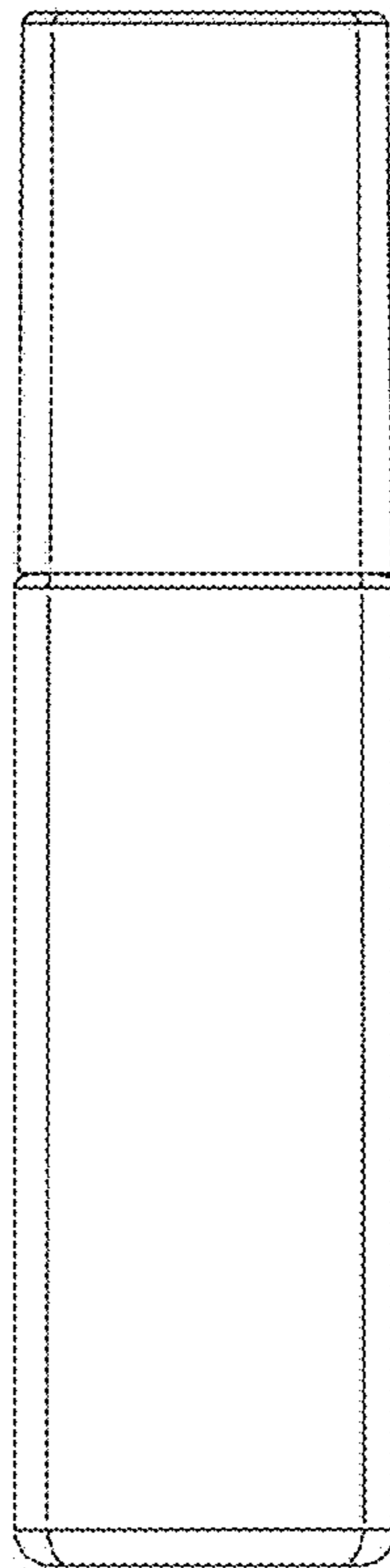


Fig. 3

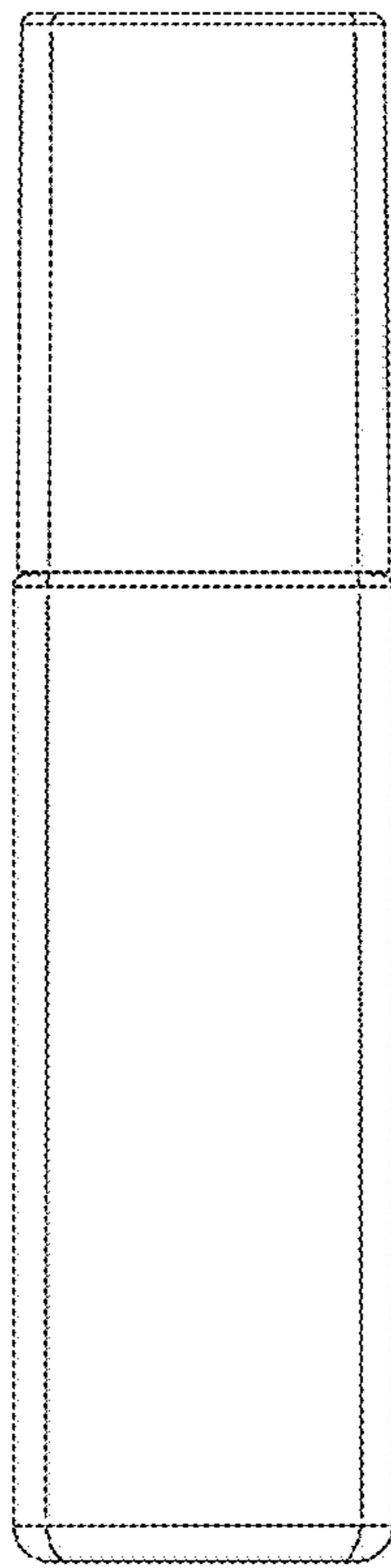


Fig. 4

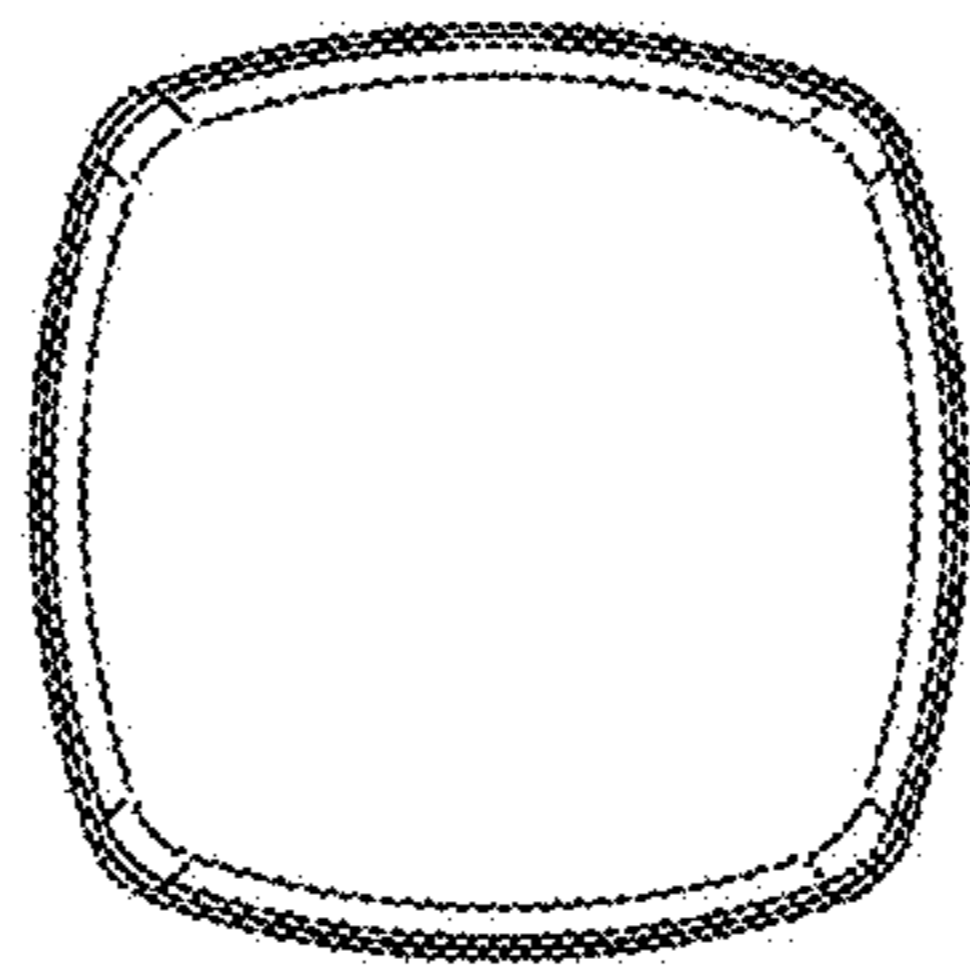


Fig. 5

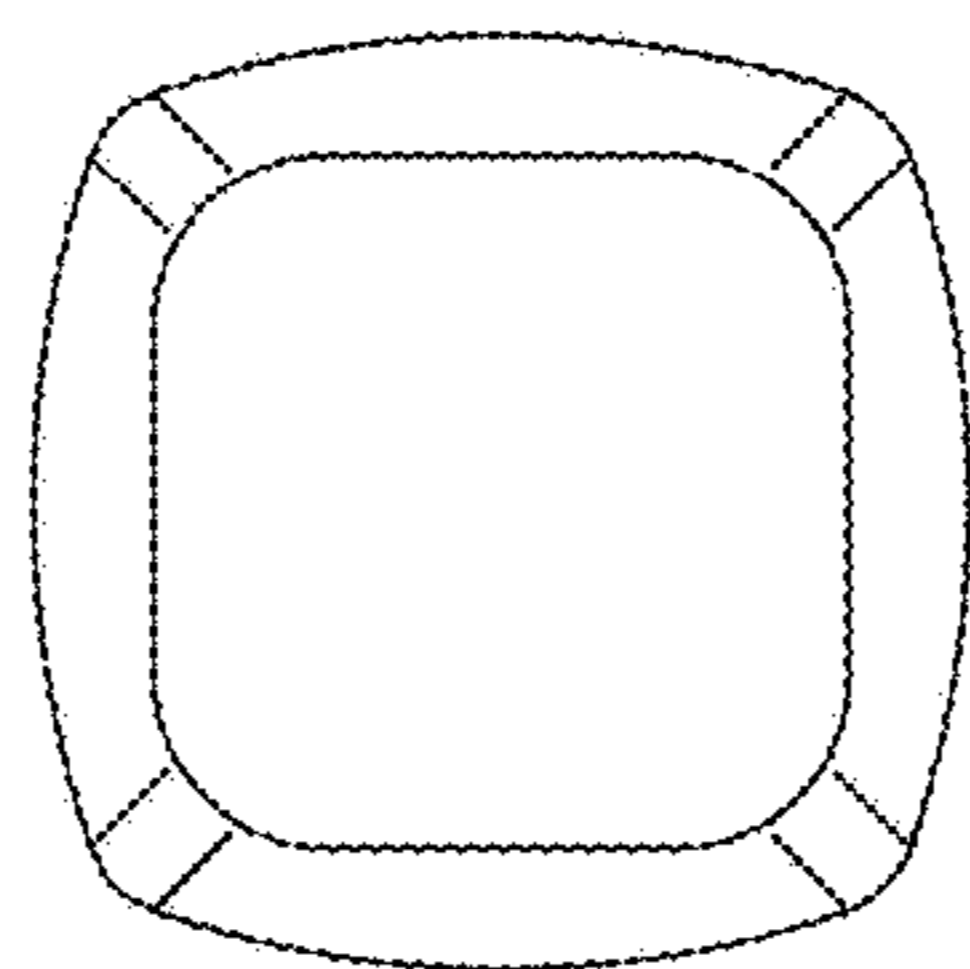


Fig. 6