



US00D853034S

(12) **United States Design Patent**
Ouyang

(10) **Patent No.:** **US D853,034 S**

(45) **Date of Patent:** **** Jul. 2, 2019**

(54) **FINGERNAIL DRYER**

(71) Applicant: **SHENZHEN UVLED OPTICAL TECHNOLOGY CO., LTD**, Shenzhen (CN)

(72) Inventor: **Chenyi Ouyang**, Shenzhen (CN)

(73) Assignee: **SHENZHEN UVLED OPTICAL TECHNOLOGY CO., LTD**, Shenzhen (CN)

(**) Term: **15 Years**

(21) Appl. No.: **29/608,152**

(22) Filed: **Jun. 20, 2017**

(30) **Foreign Application Priority Data**

May 26, 2017 (CN) 2017 3 0205474

(51) **LOC (11) Cl.** **28-03**

(52) **U.S. Cl.**
USPC **D28/58**

(58) **Field of Classification Search**
USPC D28/56-58, 54.1
CPC A45D 29/00; A45D 2200/15-155; A45D 2200/205; A45D 29/20; A45D 29/007
See application file for complete search history.

(56) **References Cited**

U.S. PATENT DOCUMENTS

D633,237 S * 2/2011 Wang D26/26
D698,495 S * 1/2014 Lee D28/54.1

D707,888 S * 6/2014 Kim D28/54.1
D762,888 S * 8/2016 Luke D26/28
D783,194 S * 4/2017 Camarota D26/89
D819,256 S * 5/2018 Campagna D26/89
D827,203 S * 8/2018 Ouyang D28/58
10,117,494 B1 * 11/2018 Luu A45D 29/00
2014/0237845 A1 * 8/2014 Llim A45D 29/20
34/275
2015/0290675 A1 * 10/2015 Lin A45D 29/00
250/494.1

* cited by examiner

Primary Examiner — Jennifer Rivard

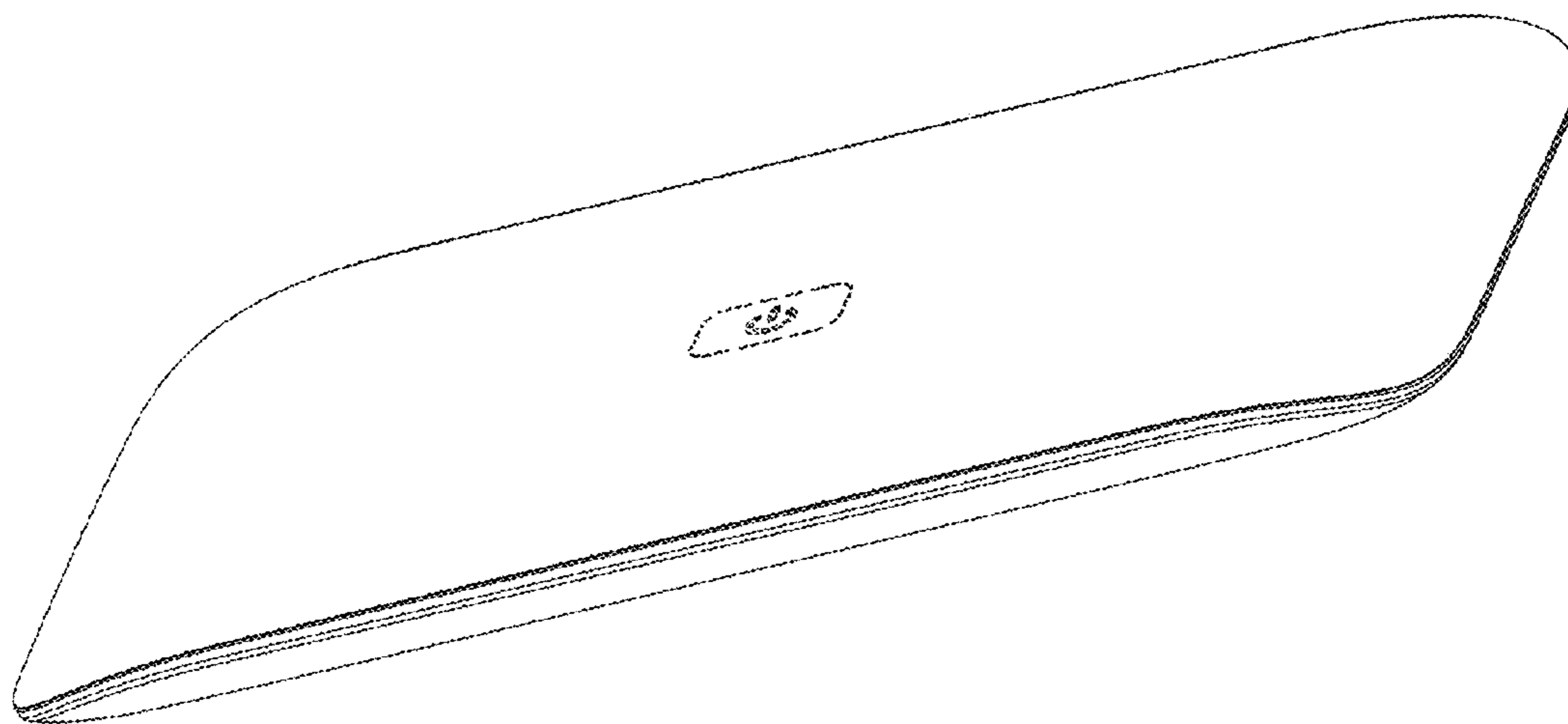
(57) **CLAIM**

The ornamental design for a fingernail dryer, as shown and described.

DESCRIPTION

FIG. 1 is a front view of an ornamental design for a fingernail dryer showing our new design;
FIG. 2 is a rear view thereof;
FIG. 3 is a left side view thereof;
FIG. 4 is a right side view thereof;
FIG. 5 is a top view thereof;
FIG. 6 is a bottom view thereof; and,
FIG. 7 is a perspective view thereof.
The broken lines illustrate portions of the fingernail dryer and form no part of the claimed design.

1 Claim, 6 Drawing Sheets



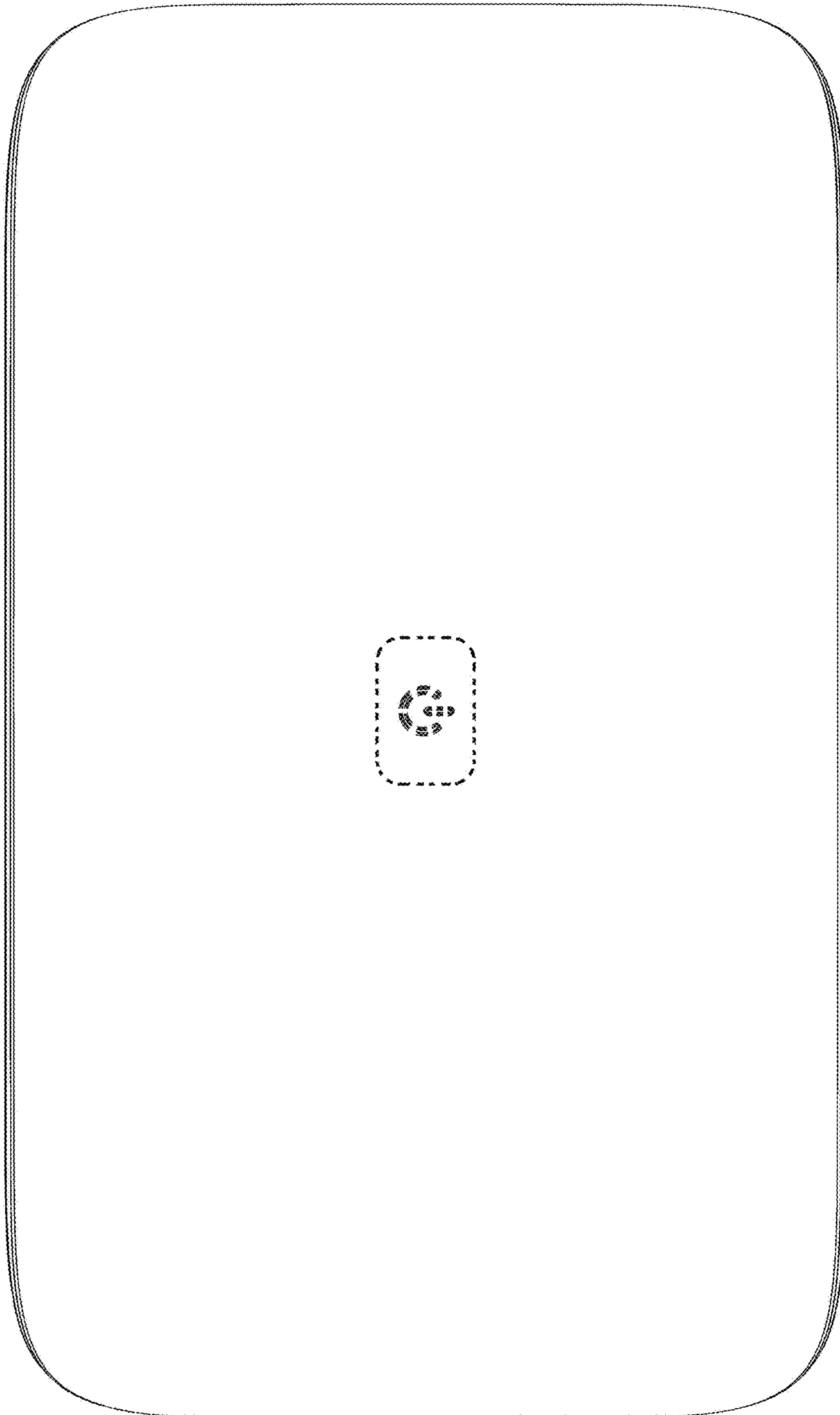


FIG. 1

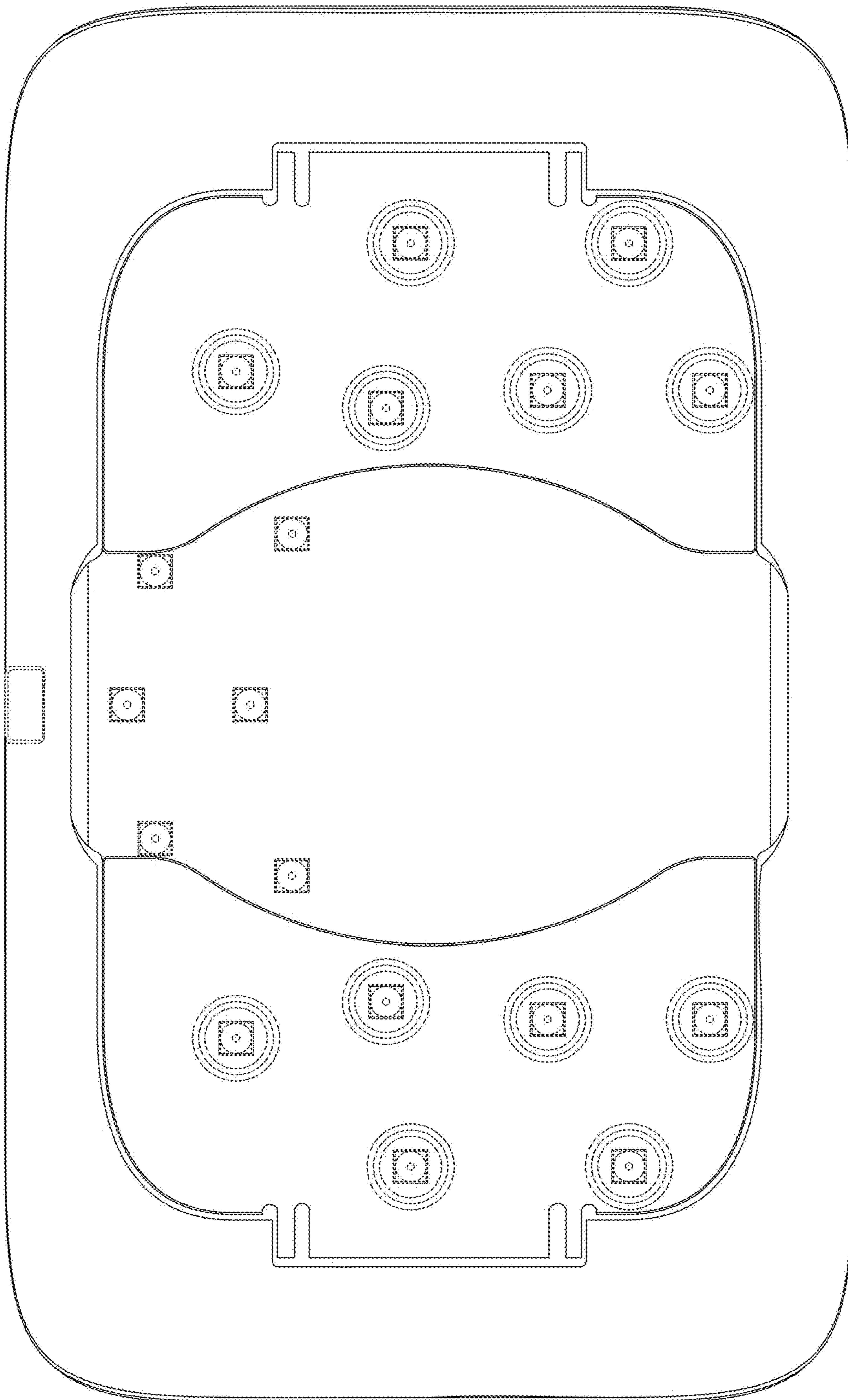


FIG. 2

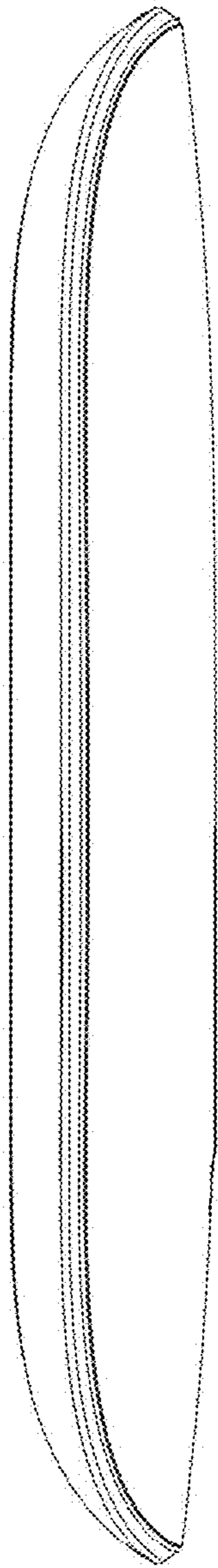


FIG. 3

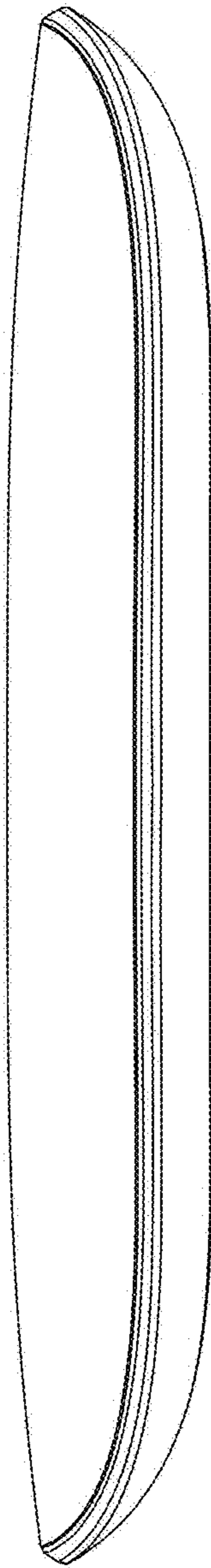


FIG. 4

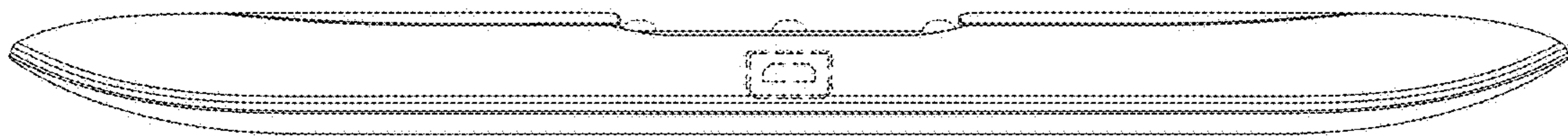


FIG. 5

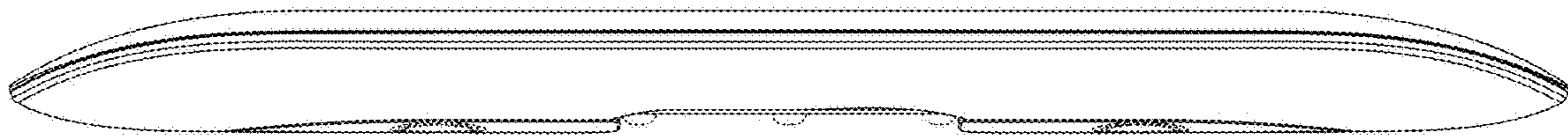


FIG. 6

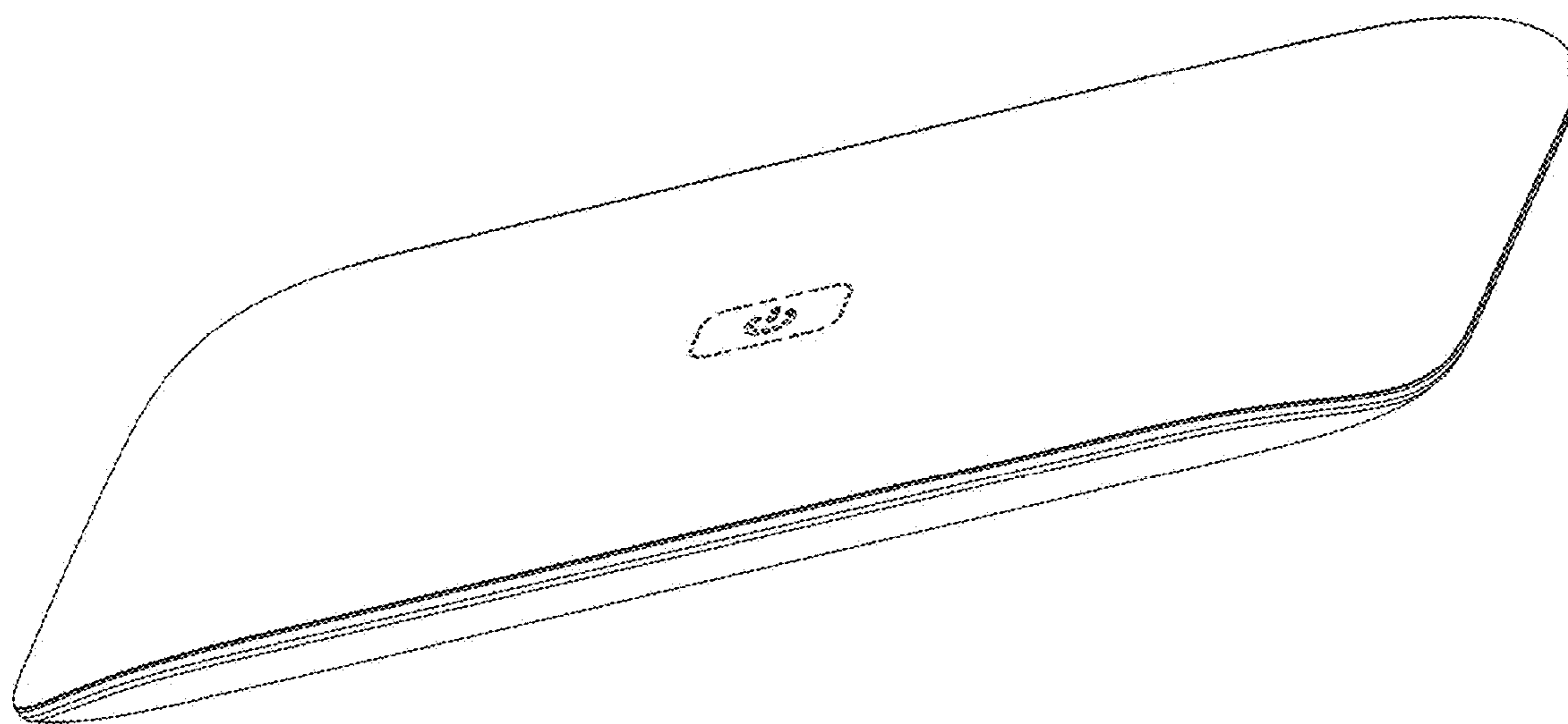


FIG. 7