



US00D853032S

(12) **United States Design Patent**
Ouyang et al.

(10) **Patent No.:** **US D853,032 S**
(45) **Date of Patent:** **** Jul. 2, 2019**

- (54) **FINGERNAIL DRYER**
- (71) Applicant: **SHENZHEN UVLED OPTICAL TECHNOLOGY CO., LTD.**, Shenzhen (CN)
- (72) Inventors: **Chenyi Ouyang**, Shenzhen (CN); **Zhulin Bai**, Shenzhen (CN)
- (73) Assignee: **SHENZHEN UVLED OPTICAL TECHNOLOGY CO., LTD.**, Shenzhen (CN)
- (**) Term: **15 Years**
- (21) Appl. No.: **29/583,936**
- (22) Filed: **Nov. 10, 2016**
- (51) **LOC (11) Cl.** **28-03**
- (52) **U.S. Cl.**
USPC **D28/58**
- (58) **Field of Classification Search**
USPC D28/12, 19, 54.1, 57-58, 61, 78, 82, D28/88-89, 91; 34/90, 104, 202, 231; 250/455.11, 515.1, 494.1, 504, 504 R; 132/73-75; D24/209-210
CPC . F26B 9/003; F26B 3/28; A45D 29/22; A45D 29/20; A45D 2200/205
See application file for complete search history.

- D489,489 S * 5/2004 Khalaj D28/54.1
 - D492,447 S * 6/2004 Mills D28/54.1
 - 6,899,668 B2 * 5/2005 Paranjpe A45D 29/00 128/849
 - D592,807 S * 5/2009 Todd D28/54.1
 - D692,617 S * 10/2013 Haile D28/58
 - D713,971 S * 9/2014 Nichols D24/201
- (Continued)

OTHER PUBLICATIONS

SUNUV SUN4 Nail Lamp, posted at uvled.tw, date and author not listed © 2009-2015 Shenzhen UVLED Optoelectronic Technology Co., Ltd., online, site visited Jan. 3, 2018. Available from Internet, URL: <http://www.uvled.tw/4043.html> (Year: 0000).*

Primary Examiner — Shannon W Morgan
Assistant Examiner — Altaira J Swangin

(57) **CLAIM**

The ornamental design for a fingernail dryer, as shown and described.

DESCRIPTION

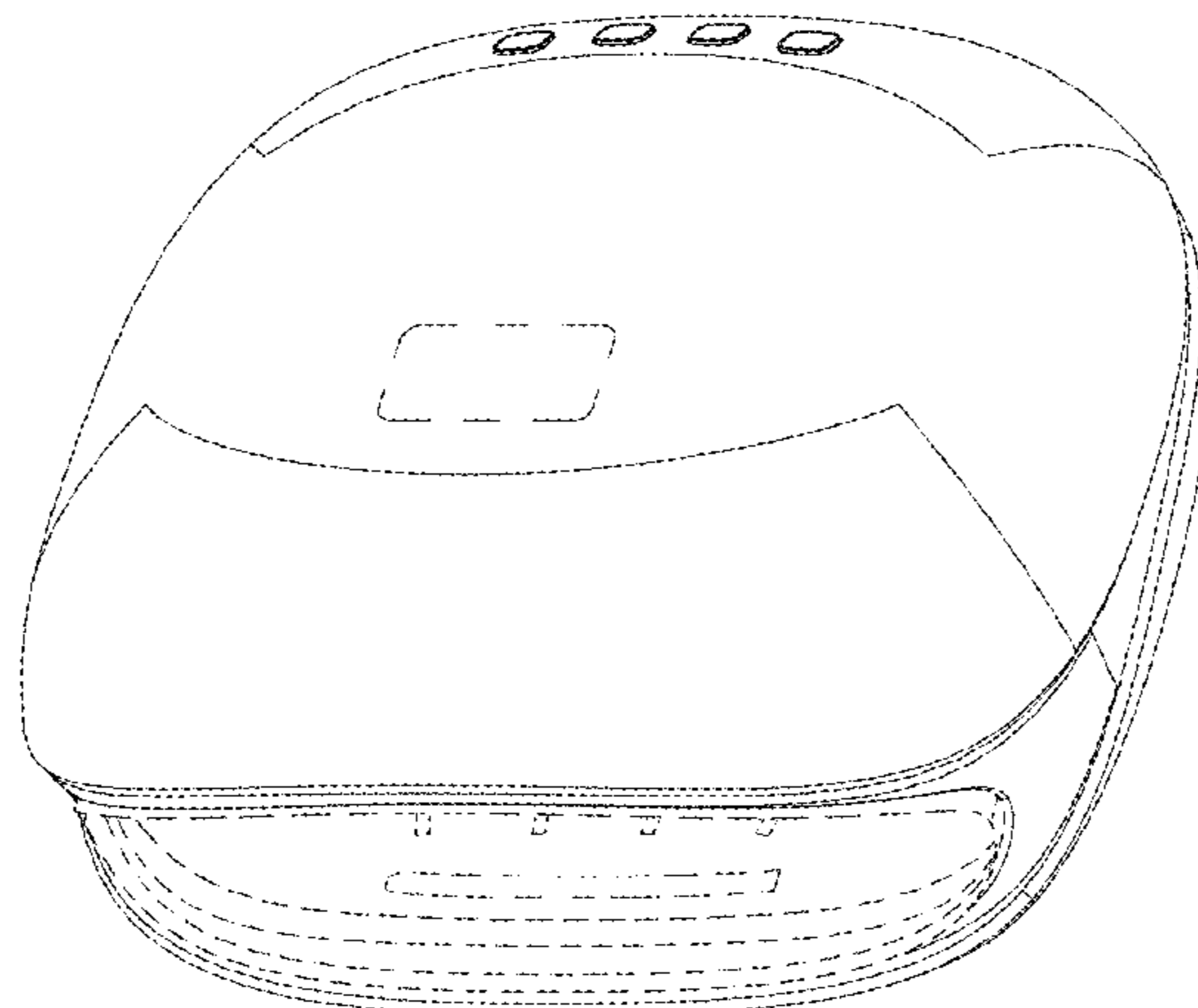
FIG. 1 is a front view of an ornamental design for a fingernail dryer showing our new design;
FIG. 2 is a rear view of an ornamental design for the fingernail dryer thereof;
FIG. 3 is a left side view of an ornamental design for the fingernail dryer thereof;
FIG. 4 is a right side view of an ornamental design for the fingernail dryer thereof;
FIG. 5 is a top view of an ornamental design for the fingernail dryer thereof;
FIG. 6 is a bottom view of an ornamental design for the fingernail dryer thereof; and,
FIG. 7 is a perspective view of an ornamental design for the fingernail dryer according to our invention.
The dashed lines, shown in the drawings, depict portions of the fingernail dryer that form no part of the claimed design.

1 Claim, 6 Drawing Sheets

(56) **References Cited**

U.S. PATENT DOCUMENTS

- 2,490,019 A * 12/1949 Elliot A45D 29/18 34/202
- 3,930,320 A * 1/1976 Henderson A45D 29/18 34/202
- 4,754,769 A * 7/1988 Flynn A45D 29/18 132/73.5
- D451,247 S * 11/2001 Khalaj D28/54.1
- 6,518,583 B1 * 2/2003 Hennig A45D 29/00 250/504 R
- D473,017 S * 4/2003 Ying D28/54.1



(56)

References Cited

U.S. PATENT DOCUMENTS

D751,761 S * 3/2016 Jih D28/54.1
D755,442 S * 5/2016 Jih D28/54.1
D762,008 S * 7/2016 Pristatskiy D28/54.1
10,016,043 B1 * 7/2018 Cheng A45D 29/00
D826,476 S * 8/2018 Cozzolino D28/61
D841,888 S * 2/2019 Ouyang D28/58
D842,546 S * 3/2019 Ouyang D28/58
2008/0264437 A1 * 10/2008 Naden A01F 11/06
132/73.5
2009/0004962 A1 * 1/2009 Collins A47K 10/48
454/252
2009/0071491 A1 * 3/2009 Yang A61B 17/54
132/200
2012/0222696 A1 * 9/2012 Nichols A61H 7/004
132/200
2013/0020509 A1 * 1/2013 Horvath A45D 29/00
250/492.1
2015/0328355 A1 * 11/2015 Rubin F24F 3/1603
422/4
2016/0089694 A1 * 3/2016 Jih B05D 3/067
34/202
2016/0095409 A1 * 4/2016 Jih A45D 29/00
34/202
2016/0095412 A1 * 4/2016 Jih B05C 9/14
34/275
2016/0353856 A1 * 12/2016 Horvath A45D 29/22
2016/0367712 A1 * 12/2016 Robert A61L 9/22

* cited by examiner

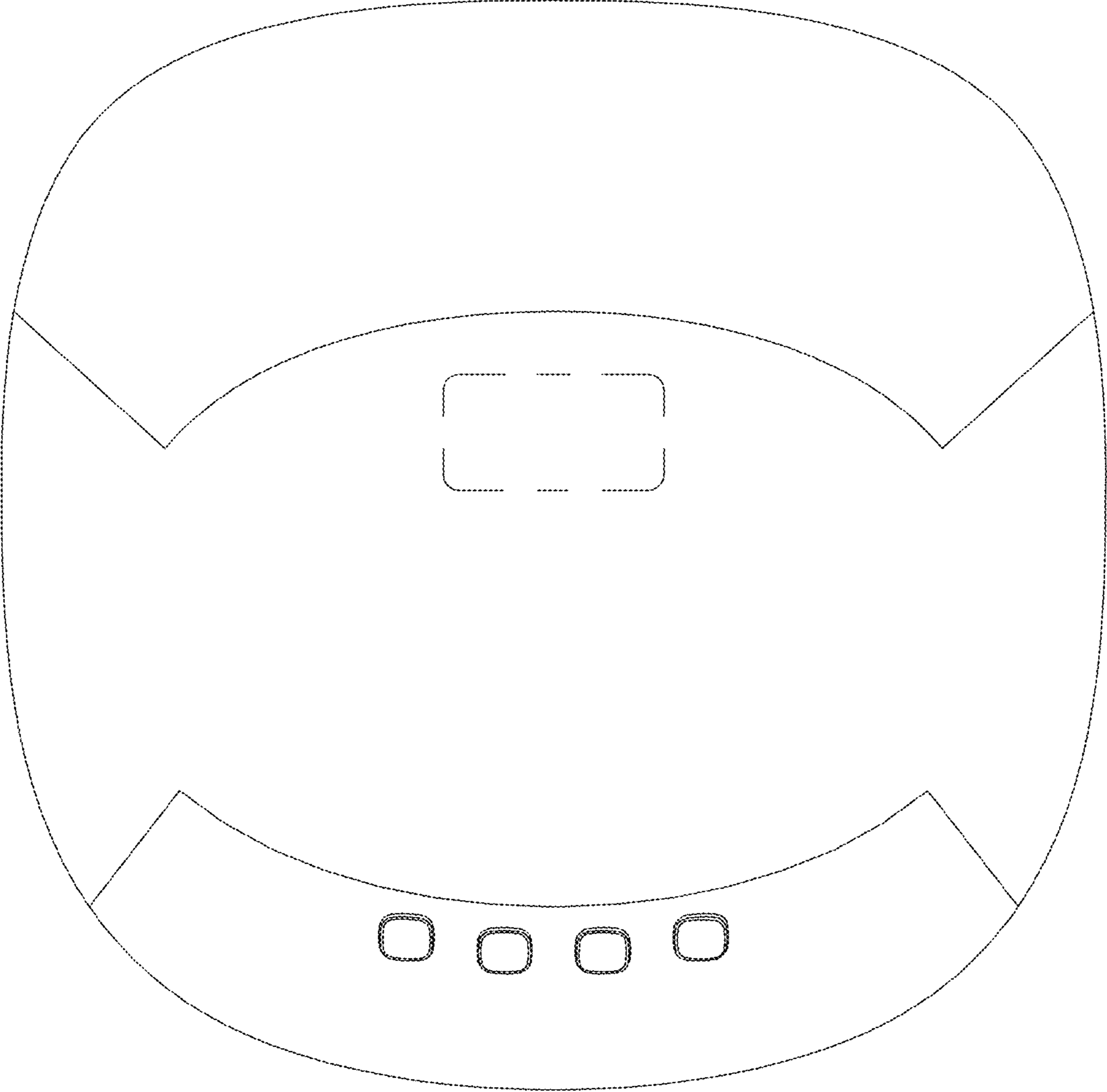


FIG.1

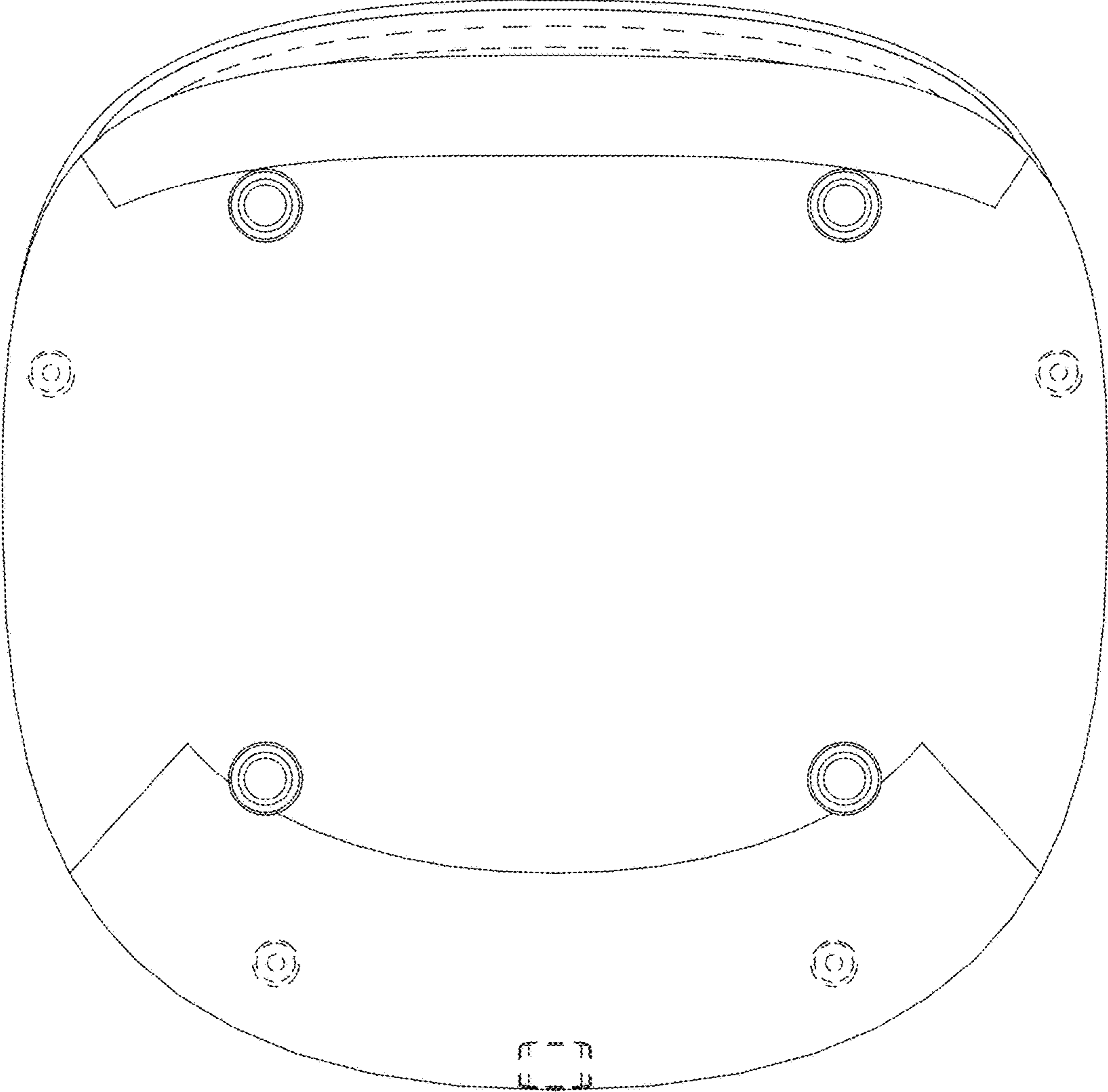


FIG.2

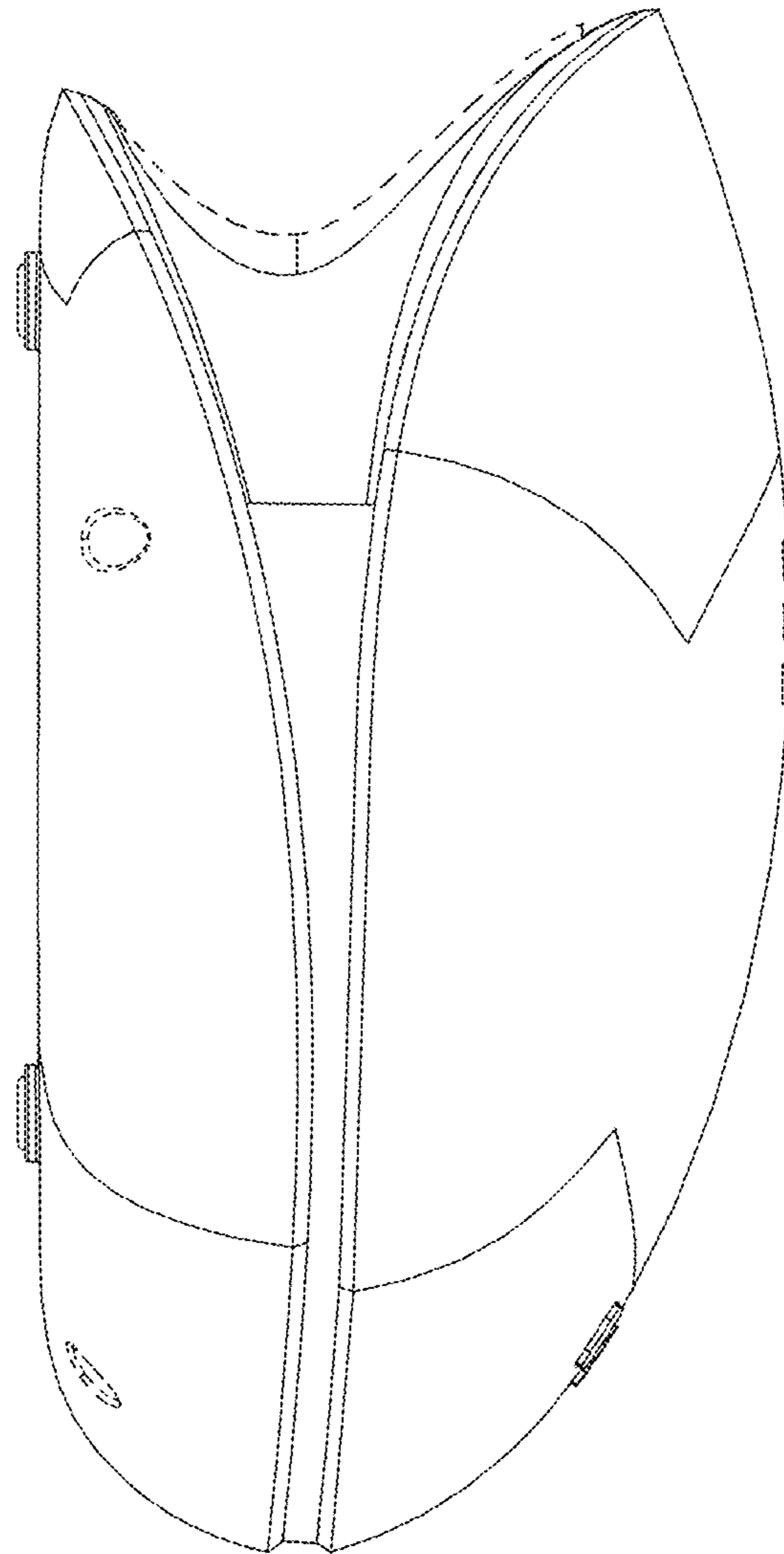


FIG.3

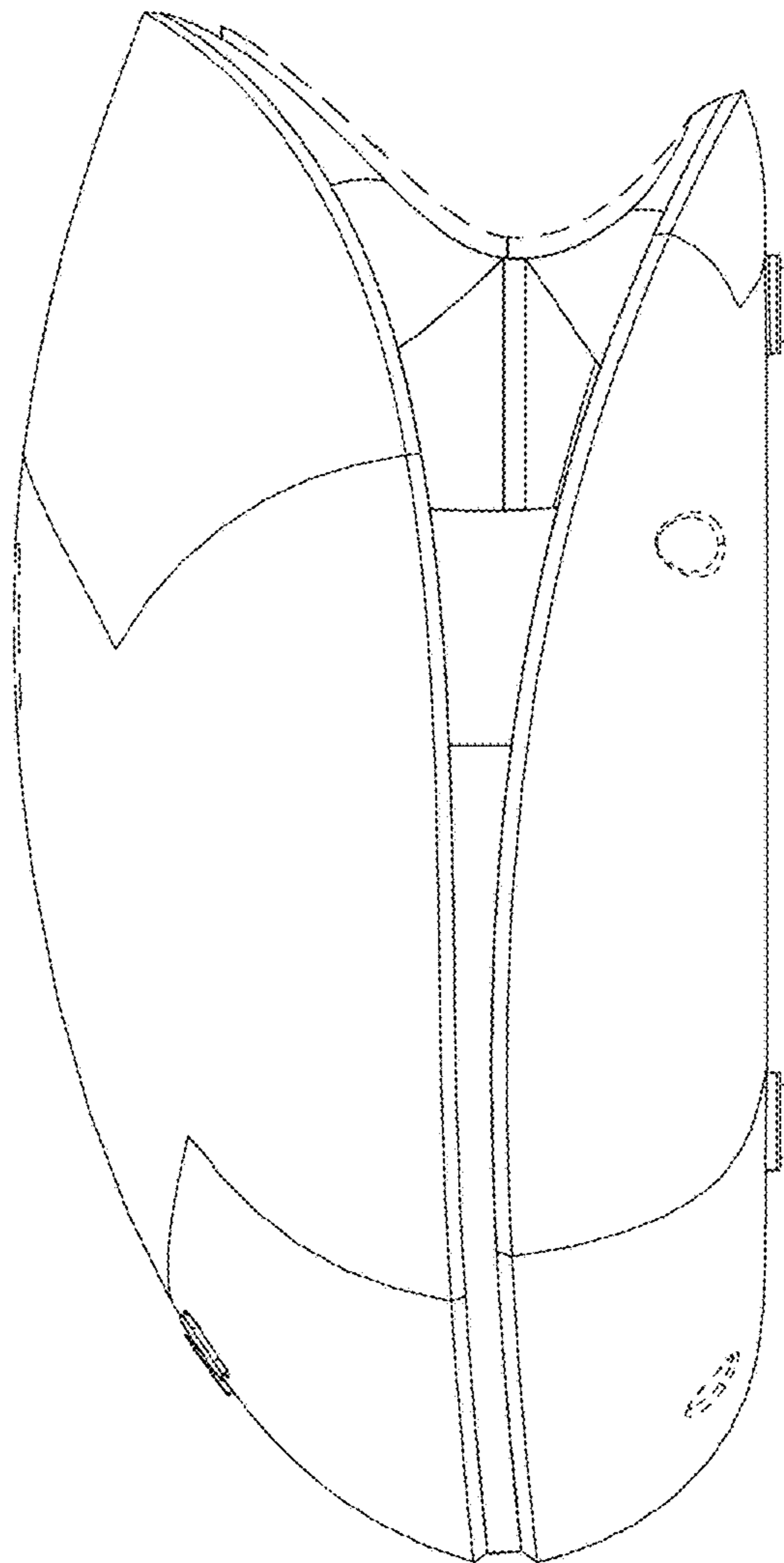


FIG.4

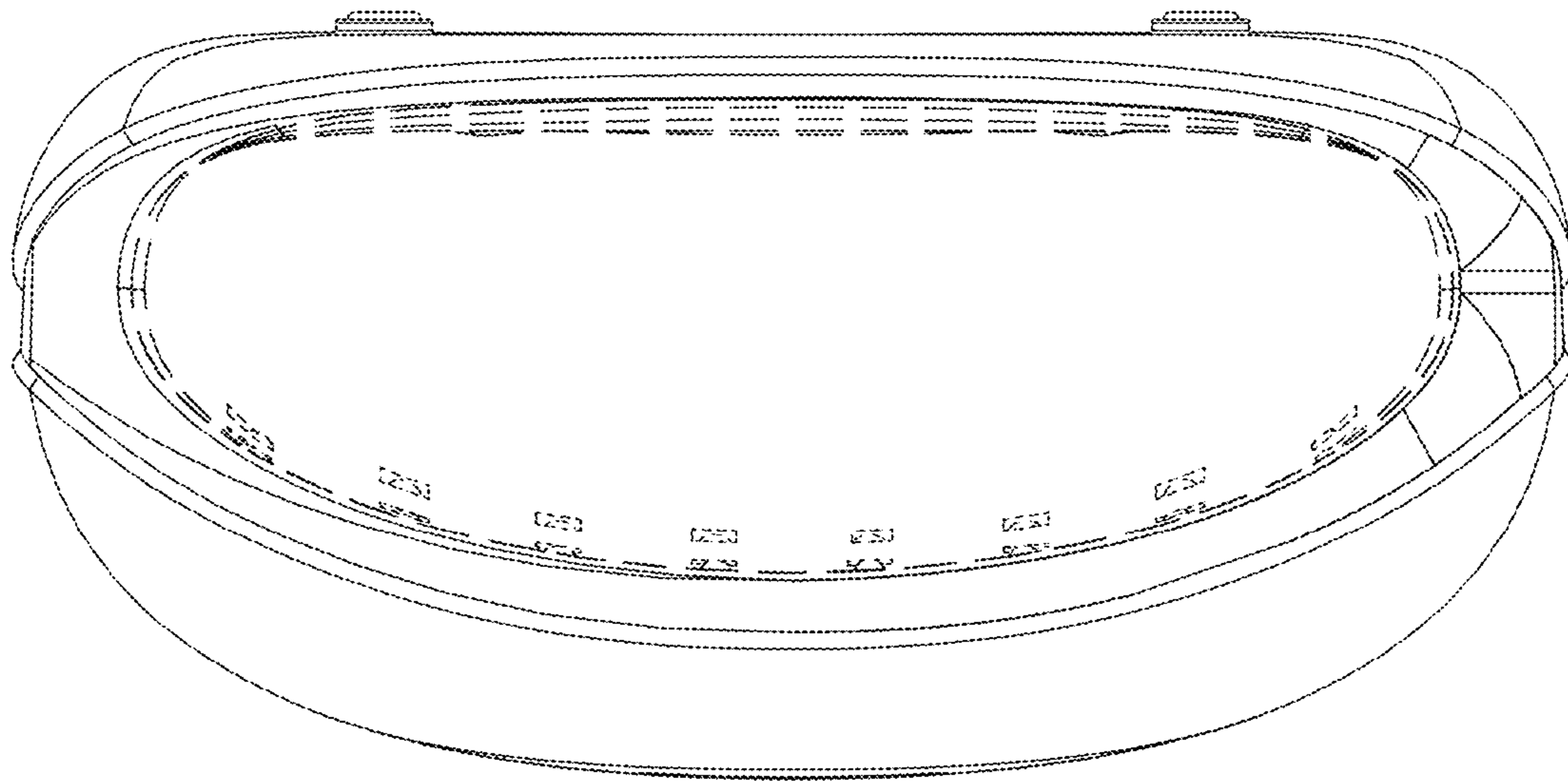


FIG.5

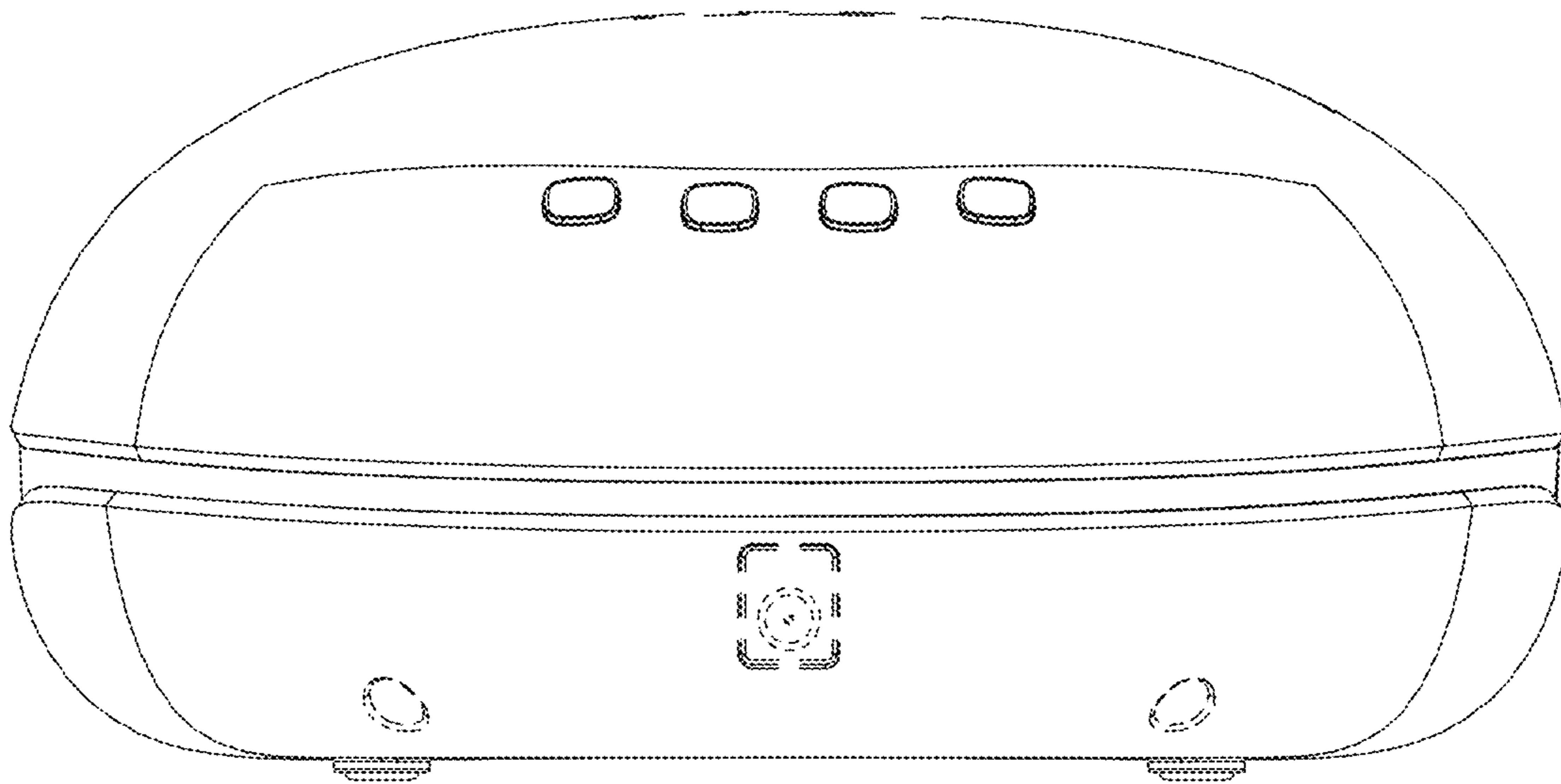


FIG.6

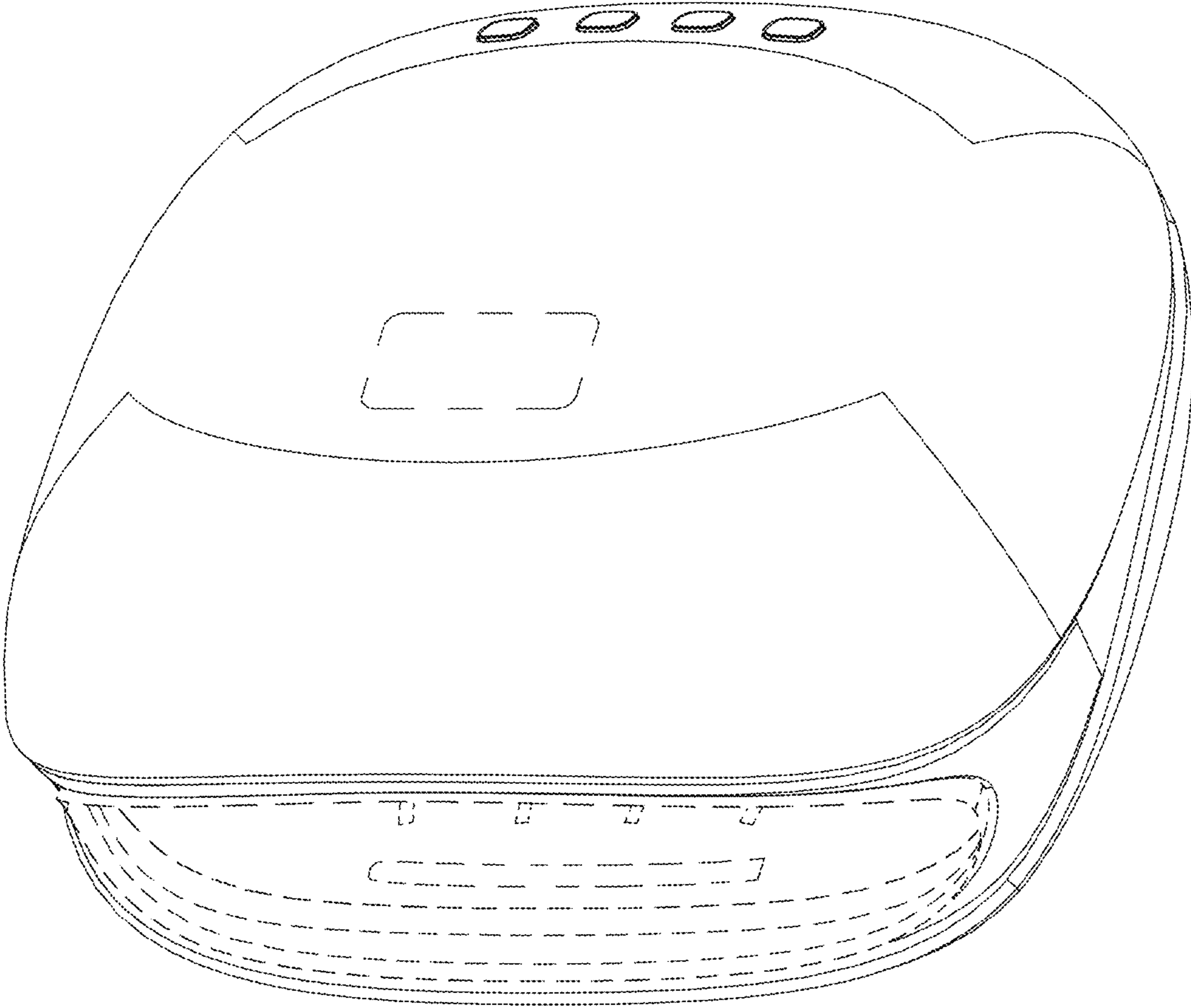


FIG.7