



US00D853029S

(12) **United States Design Patent**
Campbell

(10) **Patent No.:** **US D853,029 S**

(45) **Date of Patent:** **** Jul. 2, 2019**

(54) **WARMING UNIT FOR EYELASH PRESS**

(71) Applicant: **Clay Campbell**, Arlington, TX (US)

(72) Inventor: **Clay Campbell**, Arlington, TX (US)

(**) Term: **15 Years**

(21) Appl. No.: **29/646,765**

(22) Filed: **May 7, 2018**

(51) **LOC (11) Cl.** **28-03**

(52) **U.S. Cl.**
USPC **D28/38**

(58) **Field of Classification Search**
USPC D28/36-38, 57, 59, 73; D19/109;
D24/149

CPC . A45D 29/04; A45D 2/48; A45D 2/06; A45D
1/00; A45D 1/03; A45D 4/16

See application file for complete search history.

(56) **References Cited**

U.S. PATENT DOCUMENTS

D431,021 S *	9/2000	Collins	D13/108
D492,066 S *	6/2004	Cho	D28/36
D501,580 S *	2/2005	Sugawara	D28/36
D503,494 S *	3/2005	Yamashita	D28/36
D546,199 S *	7/2007	Gray	D28/73
D607,147 S *	12/2009	Sugawara	D28/36
D607,148 S *	12/2009	Sugawara	D28/36
D615,491 S *	5/2010	Emminger	D13/108
D621,347 S *	8/2010	Aulwes	D13/108
D735,945 S *	8/2015	Reishus	D28/73
D781,232 S *	3/2017	Pel	D13/108
2005/0284856 A1 *	12/2005	Cafaro	A45D 1/04 219/222

* cited by examiner

Primary Examiner — Jennifer Rivard

Assistant Examiner — Alison M Ofstun

(74) *Attorney, Agent, or Firm* — Law Office of Jeff Williams PLLC; J. Oliver Williams

(57) **CLAIM**

The ornamental design for a warming unit for eyelash press, as shown and described.

DESCRIPTION

FIG. 1 is a front perspective view of a warming unit for eyelash press showing my new design, shown in an environment of use;

FIG. 2 is a front view of thereof, shown with the environment removed;

FIG. 3 is a rear view of the warming unit for eyelash press of FIG. 2.

FIG. 4 is a left view of the warming unit for eyelash press of FIG. 2.

FIG. 5 is a right view of the warming unit for eyelash press of FIG. 2.

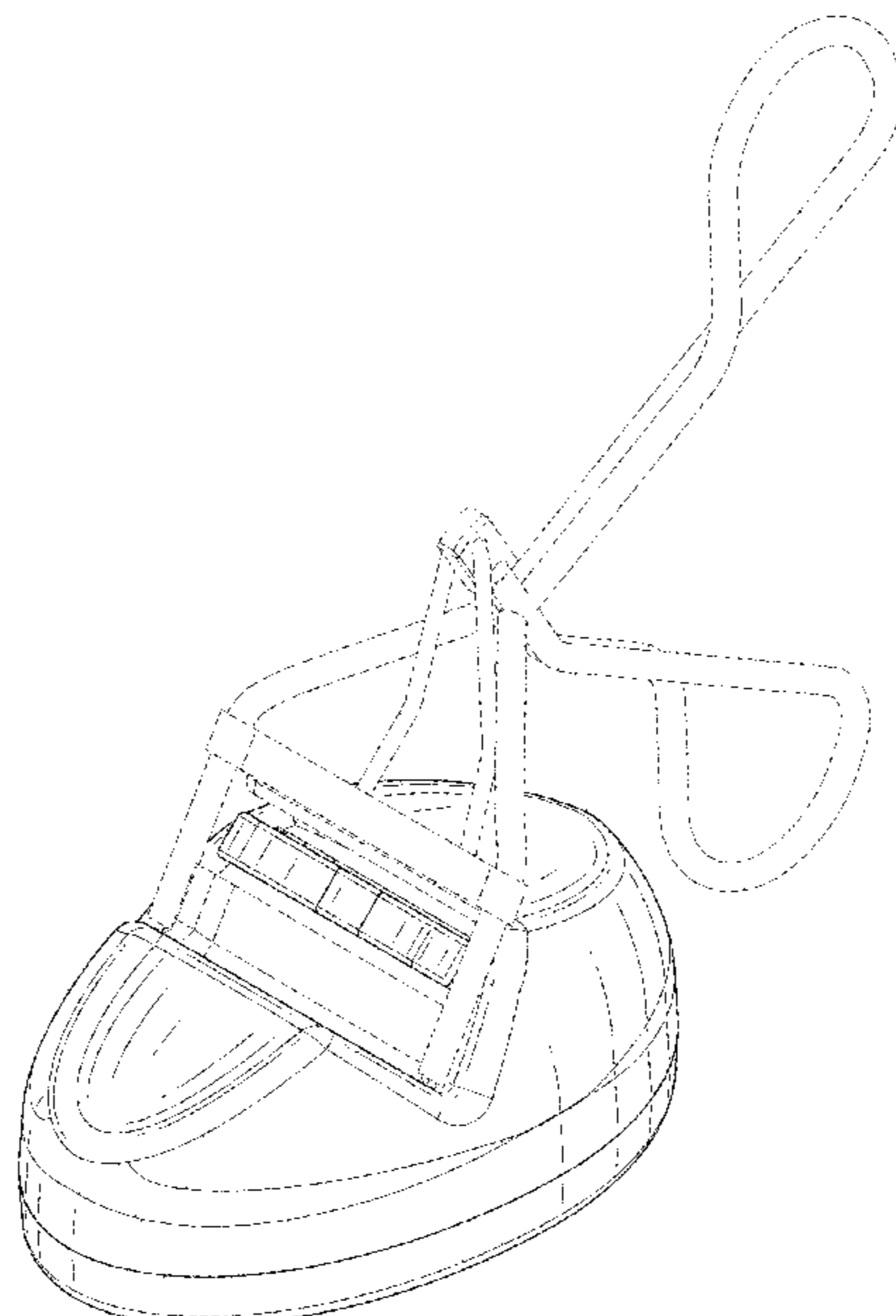
FIG. 6 is a top view of the warming unit for eyelash press of FIG. 2.

FIG. 7 is a bottom view of the warming unit for eyelash press of FIG. 2; and,

FIG. 8 is a rear perspective view of the warming unit for eyelash press of FIG. 2.

The broken lines illustrate portions of the article and form no part of the claimed design. The broken line disclosure of the eyelash press illustrates the environment and forms no part of the claimed design.

1 Claim, 7 Drawing Sheets



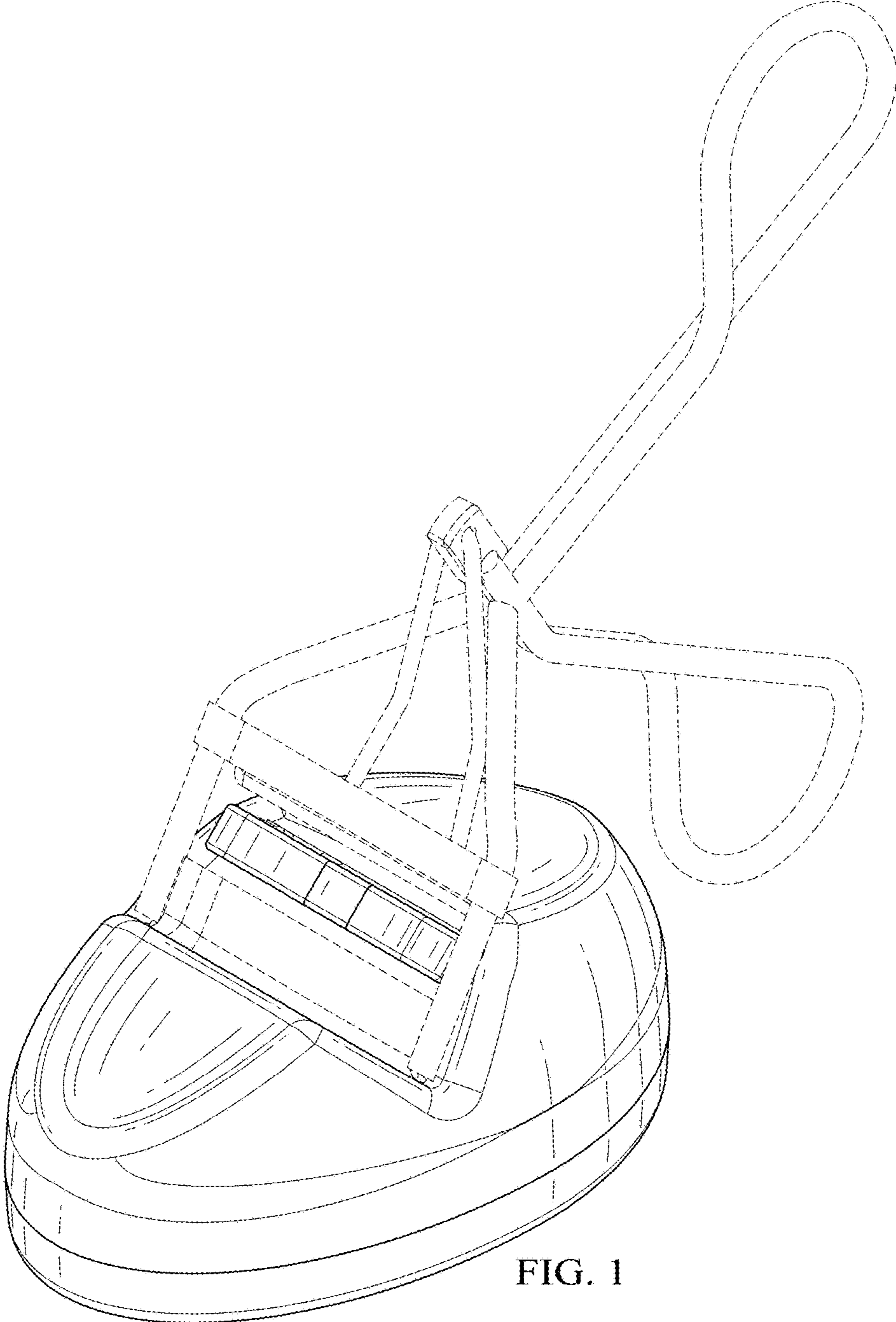


FIG. 1

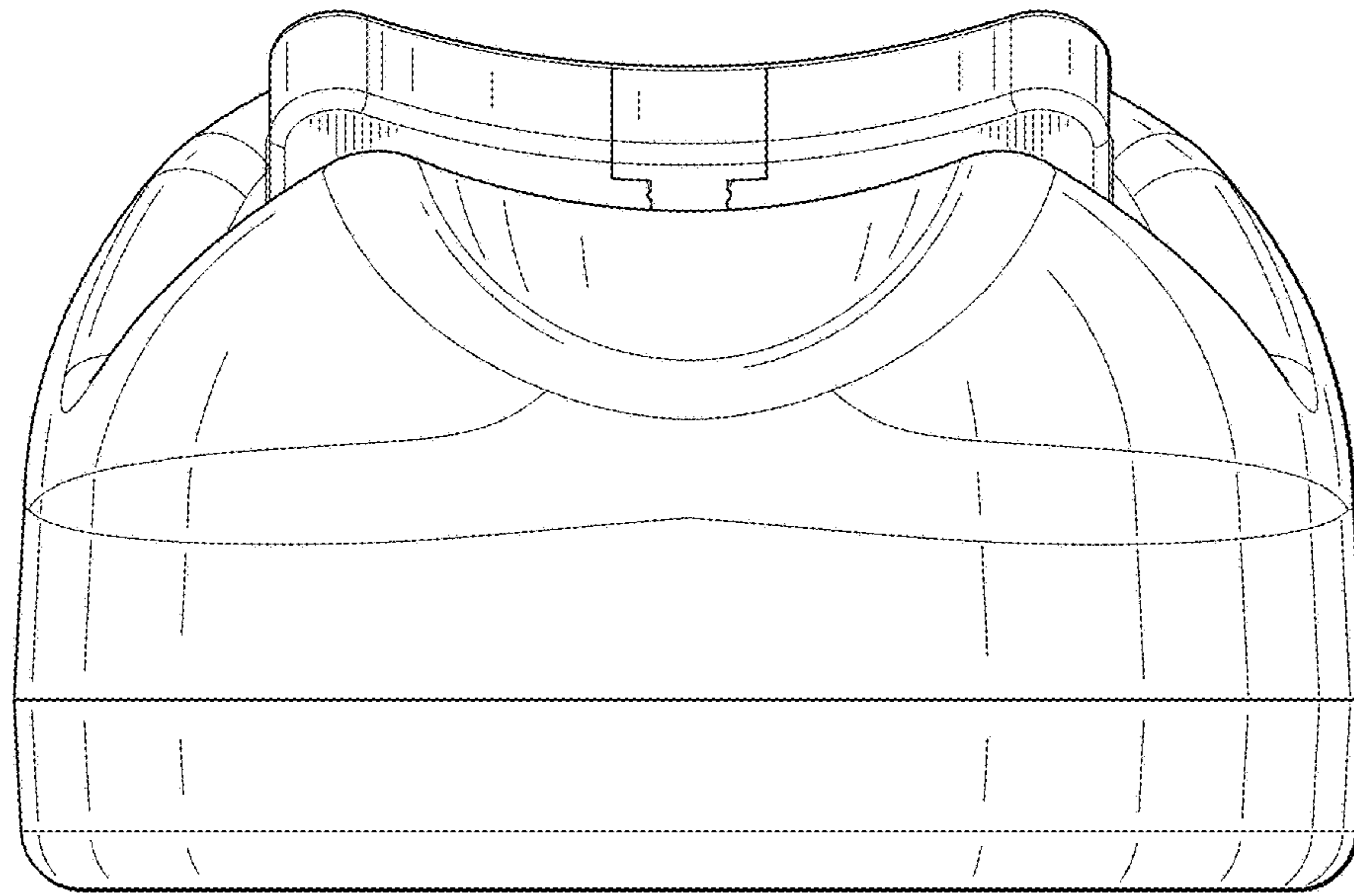


FIG. 2

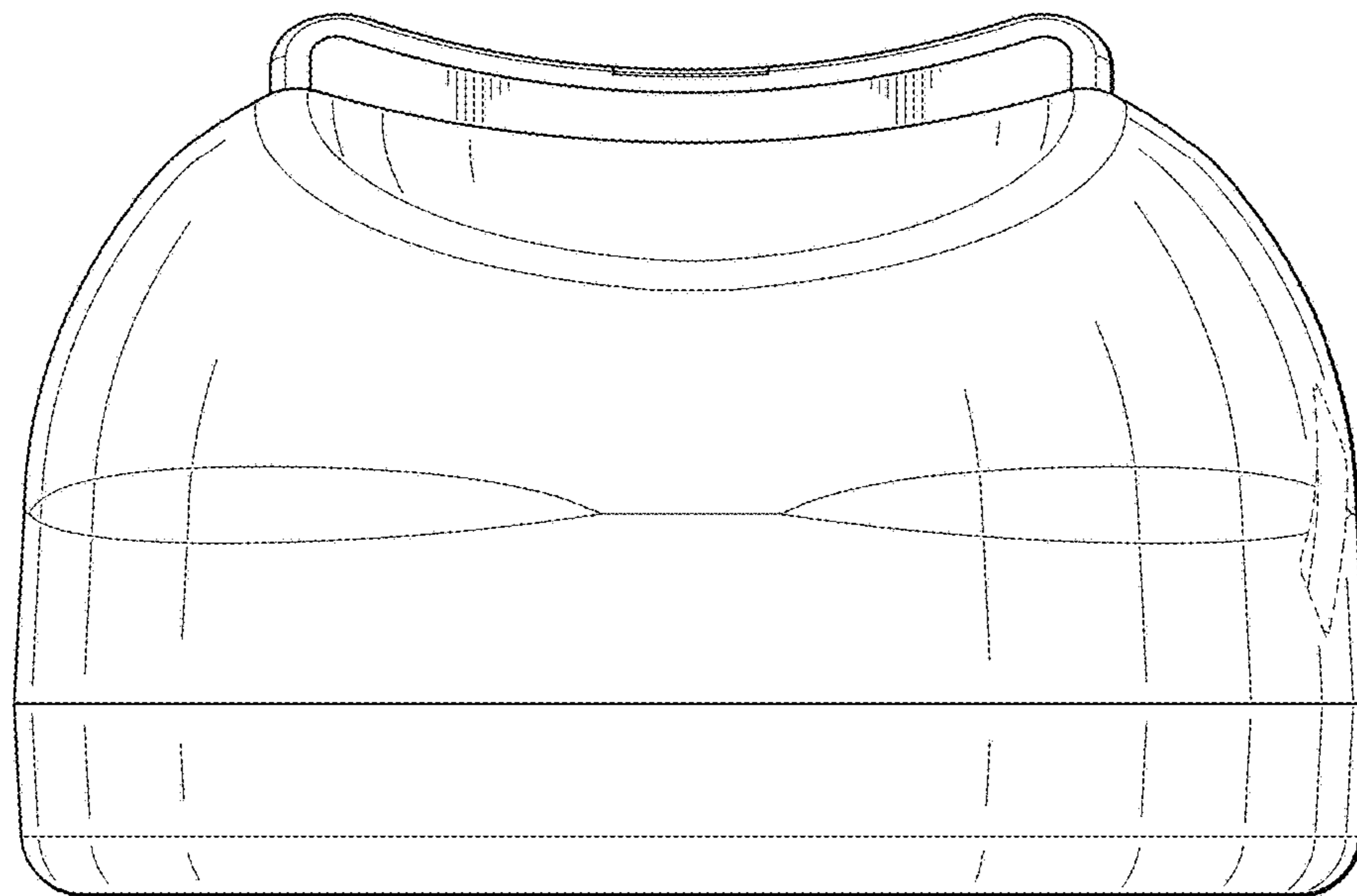


FIG. 3

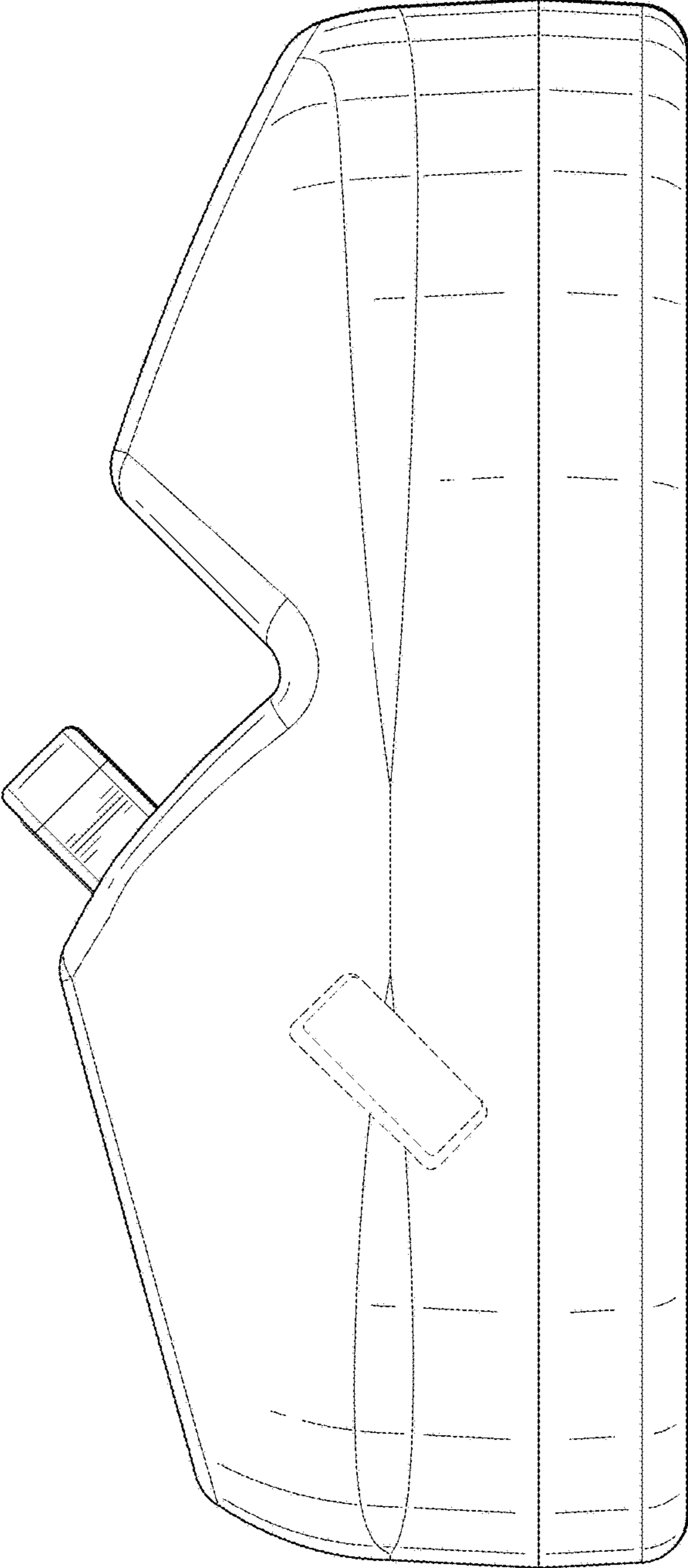


FIG. 4

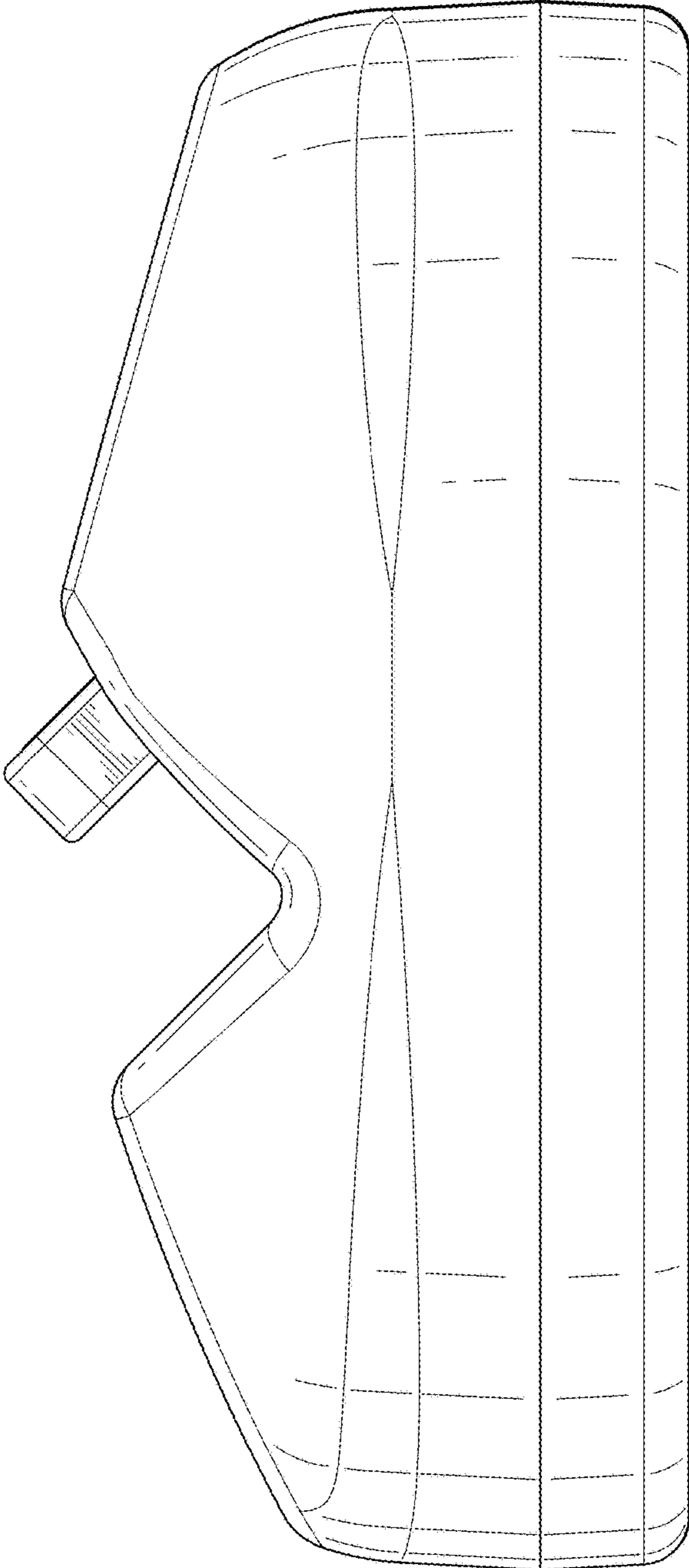


FIG. 5

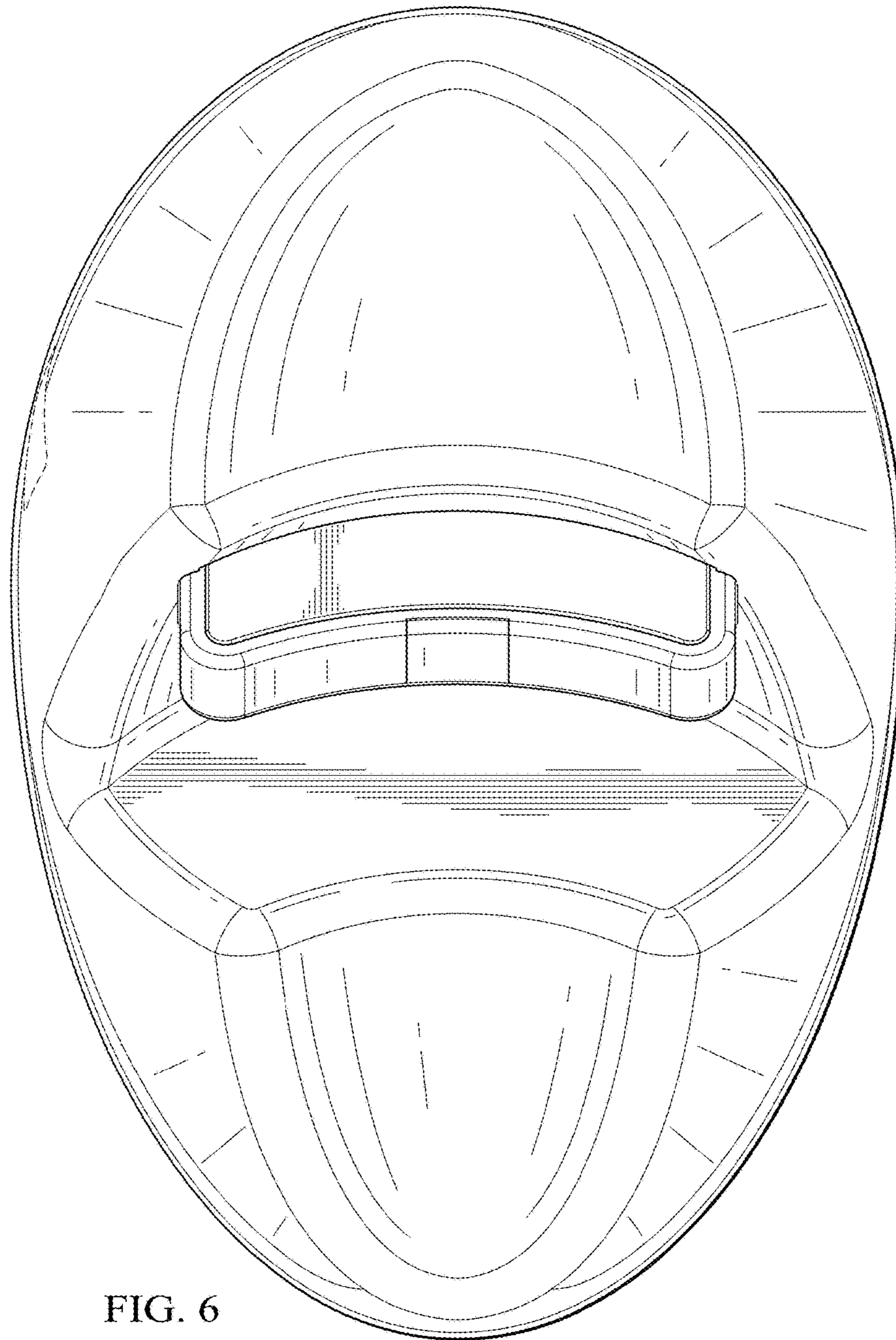


FIG. 6

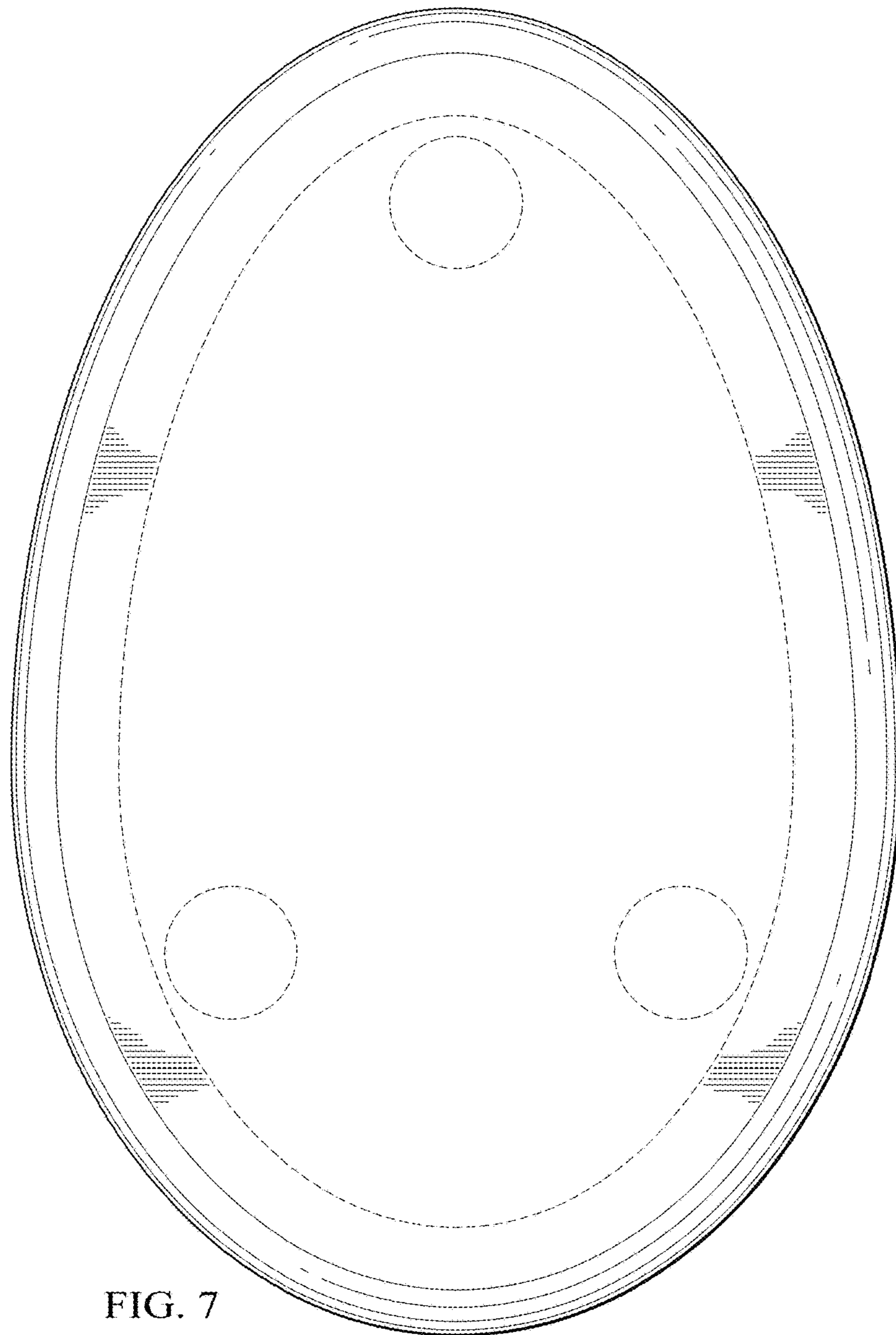


FIG. 7

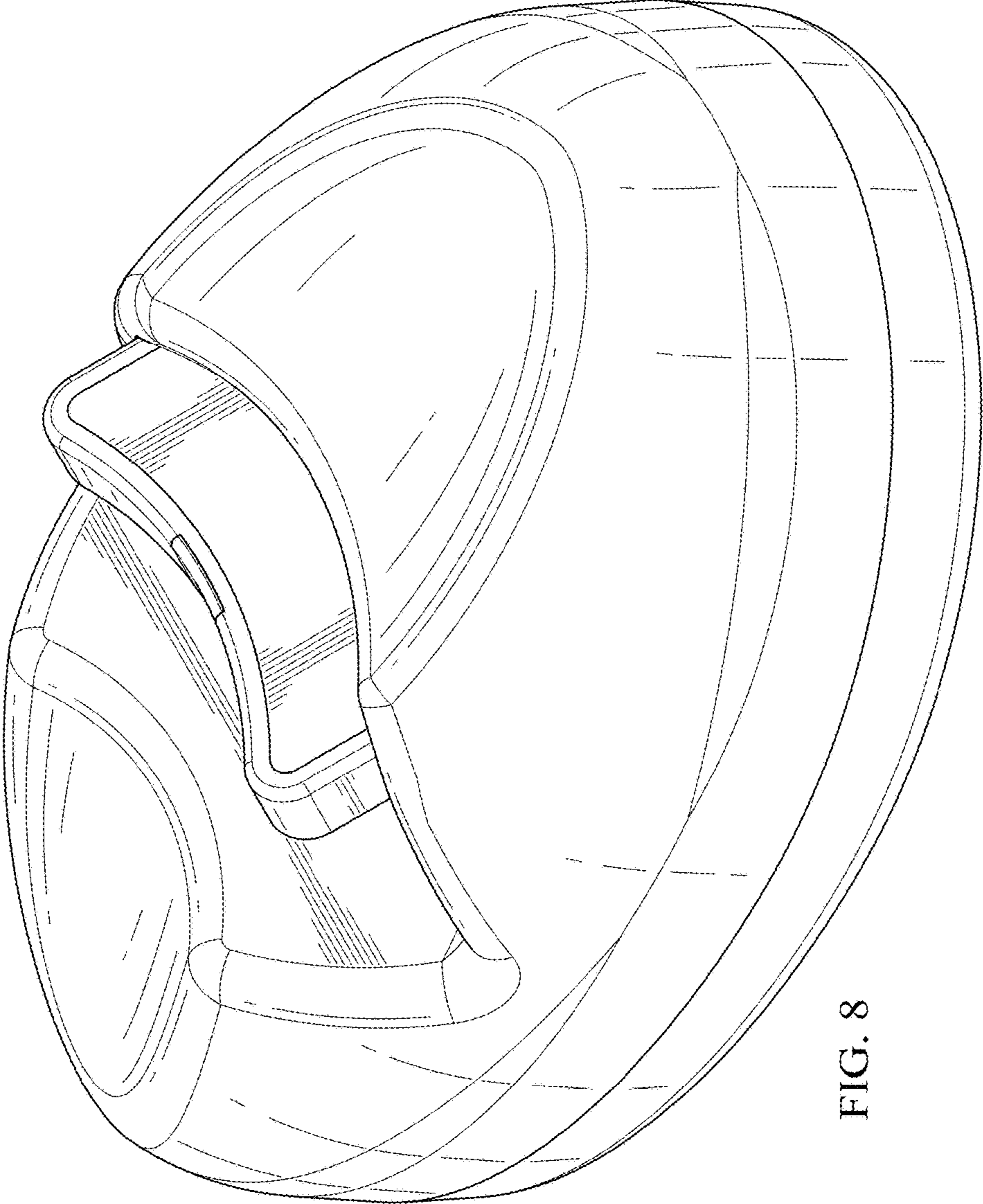


FIG. 8