



US00D853025S

(12) **United States Design Patent** (10) **Patent No.:** **US D853,025 S**
Washington (45) **Date of Patent:** **** Jul. 2, 2019**

- (54) **EYEBROW STAMP SYSTEM**
- (71) Applicant: **Keirra Washington**, Ft. Worth, TX (US)
- (72) Inventor: **Keirra Washington**, Ft. Worth, TX (US)
- (**) Term: **15 Years**
- (21) Appl. No.: **29/505,558**
- (22) Filed: **Dec. 21, 2015**
- (51) **LOC (11) Cl.** **28-03**
- (52) **U.S. Cl.**
USPC **D28/7; D28/78; D28/83**
- (58) **Field of Classification Search**
USPC D28/4, 7, 8, 9, 10; D18/14-18; D9/718, D9/721, 723, 725, 737, 414, 423, 624; D3/205, 901, 269, 271.1; 132/216, 218, 132/286, 315, 317, 320
CPC A45D 33/00; A45D 2033/001; A45D 33/006; A45D 33/04-33/28; A45D 33/34; A45D 33/36; A45D 40/22-2040/228; A45D 40/30; A45D 42/04; A45D 2200/25; A45D 44/00; A45D 2029/005
See application file for complete search history.

- (56) **References Cited**
U.S. PATENT DOCUMENTS
1,851,462 A * 3/1932 Steller A45C 13/1084
132/294
2,056,935 A * 10/1936 Esterow A45D 33/006
132/301
D215,391 S * 9/1969 Mitchell D28/7
D307,331 S * 4/1990 Pflieger D28/7
D478,689 S * 8/2003 Thorpe D28/83
D561,540 S * 2/2008 Rhodes, II D7/653
D620,638 S * 7/2010 Nelson D28/4
D645,617 S * 9/2011 Mahdavi D28/64.3
D651,350 S * 12/2011 Paquet D28/83

- 2005/0217688 A1* 10/2005 Liu A45D 40/262
132/216
- 2013/0152962 A1* 6/2013 Pires A45D 33/006
132/313
- 2013/0220362 A1* 8/2013 Rogers A45D 33/008
132/301

(Continued)

OTHER PUBLICATIONS

Japonesque Brow Kit, posted at Ulta.com, posting date not given, © 2000-2016 Ulta Salon, [online], [site visited Sep. 27, 2016]. Available from Internet, <URL: <http://www.ulta.com/brow-kit?productId=xlsImprod2230223>>.*

(Continued)

Primary Examiner — Catherine A Tuttle
Assistant Examiner — Mary Shannon Malley

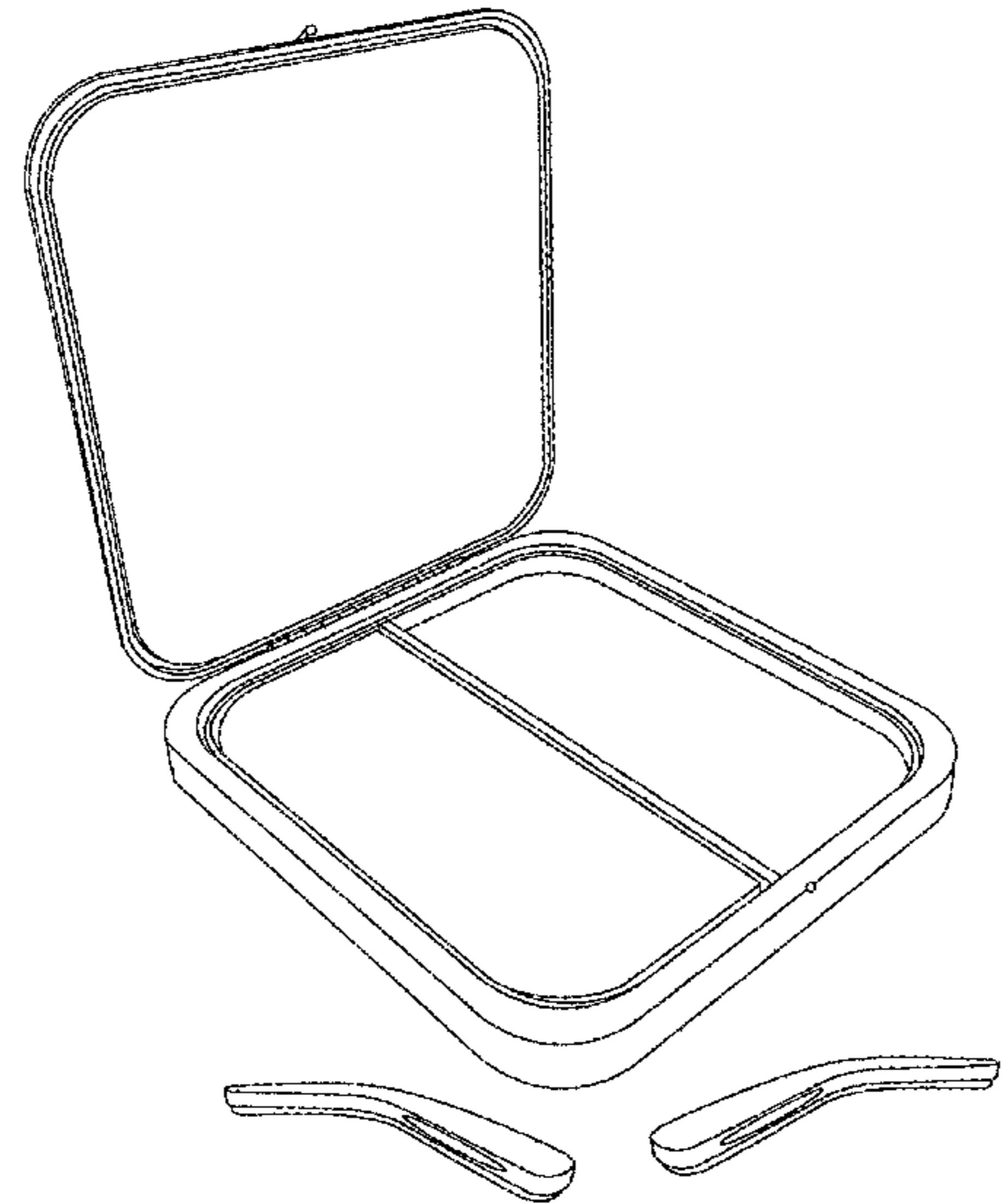
(57) **CLAIM**

I claim the ornamental design for the eyebrow stamp system, as shown and described.

DESCRIPTION

FIG. 1: is the perspective open lid elevation view of the eyebrow stamp system;
FIG. 2: is the perspective closed lid elevation view thereof;
FIG. 3: is the left side elevation view of the eyebrow stamp;
FIG. 4: is the right elevation view thereof;
FIG. 5: is the top elevation view thereof;
FIG. 6: is the bottom elevation view thereof;
FIG. 7: is the front elevation view of the carrying case;
FIG. 8: is the back elevation view thereof;
FIG. 9: is the side elevation view thereof;
FIG. 10: is the top elevation view thereof; and,
FIG. 11: is the bottom elevation view thereof.
Apart from the disclaimed areas, the surface contour is understood to follow the configuration as shown by the various outlines.

1 Claim, 11 Drawing Sheets



(56)

References Cited

U.S. PATENT DOCUMENTS

2016/0081456 A1* 3/2016 Grund A45D 34/06
132/200

OTHER PUBLICATIONS

i-Envy by Kiss Brow Stamp for Perfect Eyebrow, posted at Amazon.com, posting date not given, © 1996-2016, Amazon.com, [online], [site visited Sep. 26, 2016]. Available from Internet, <URL: https://www.amazon.com/i-Envy-Kiss-Perfect-Eyebrow-KPBS01/dp/B01H7YIH7O/ref=sr_1_1_a_it?ie=UTF8&qid=1474916768&sr=8-1&keywords=ienvy%2Bkiss%2Bperfect&th=1>.*

* cited by examiner

Fig. 1

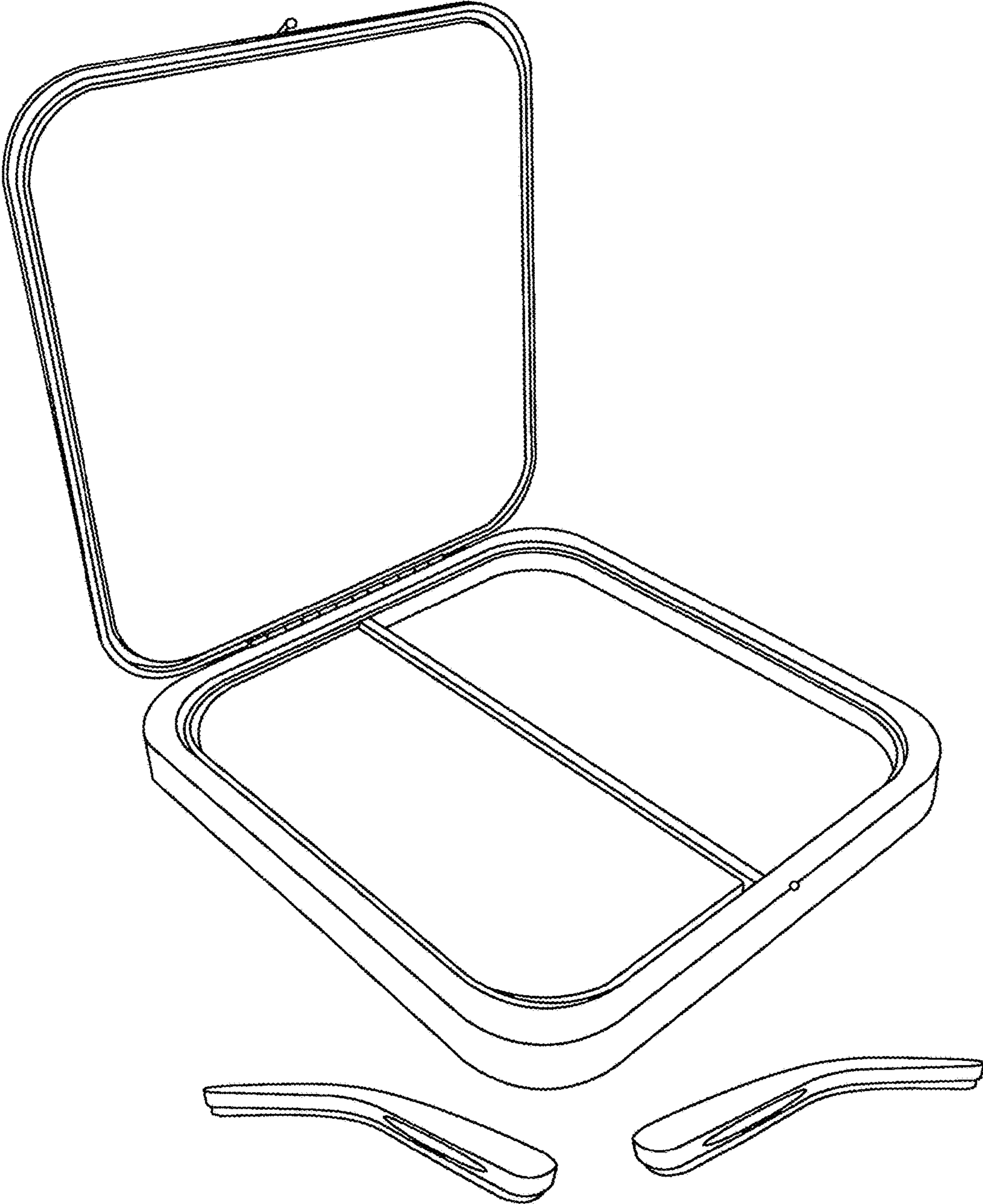


Fig. 2

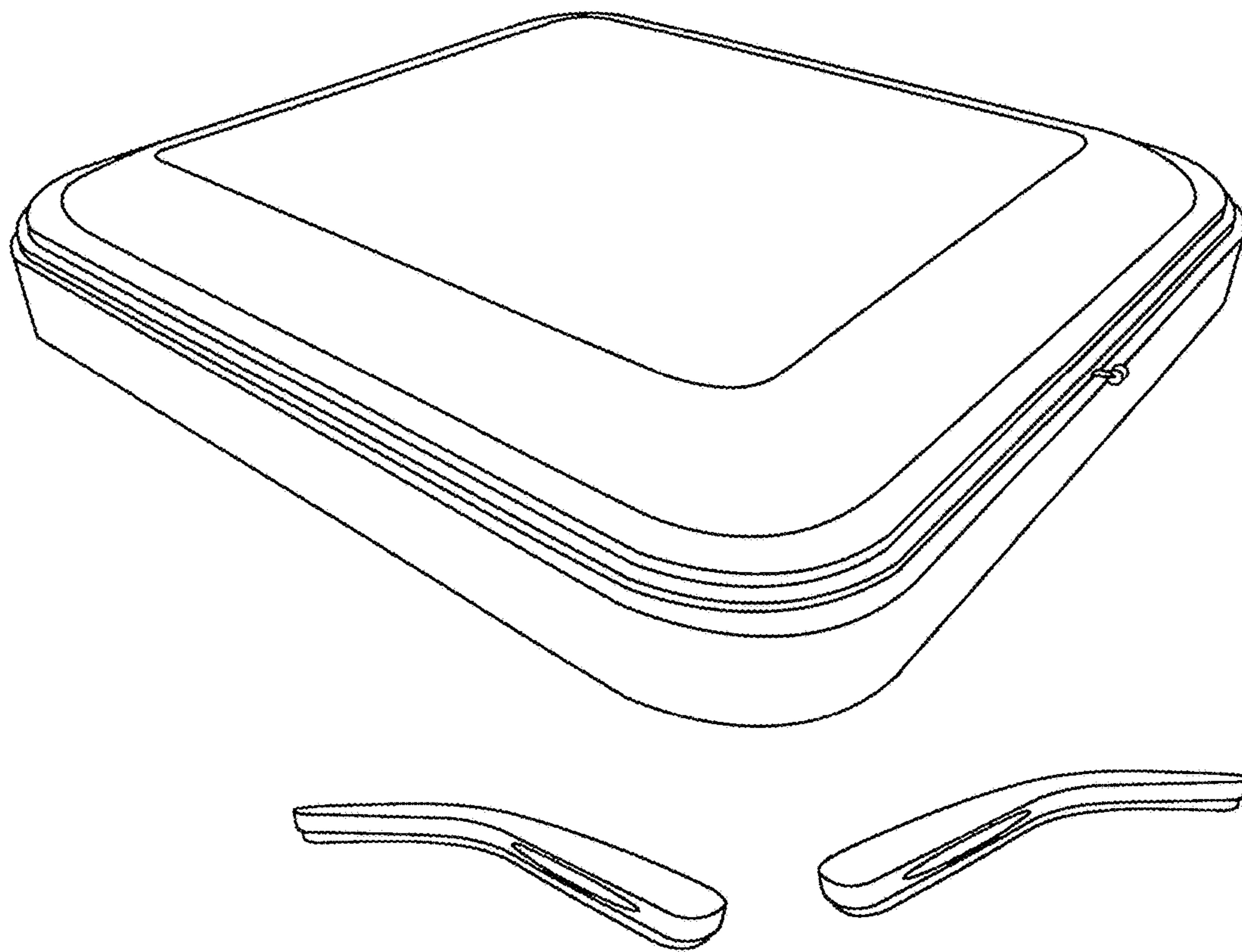


Fig. 3

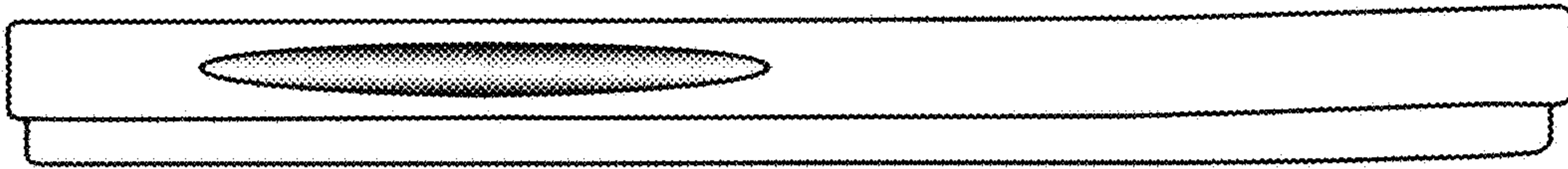


Fig. 4

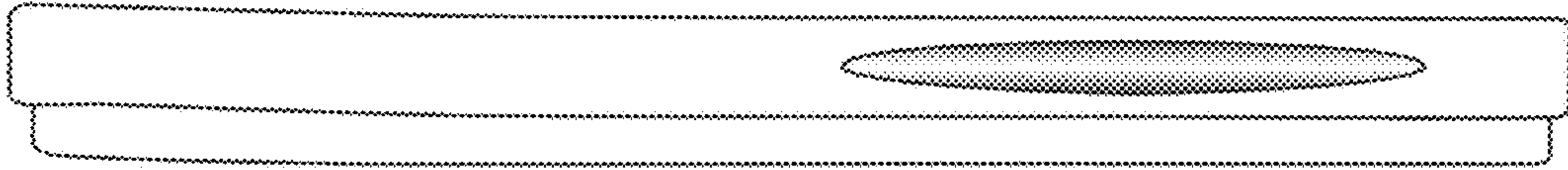


Fig. 5

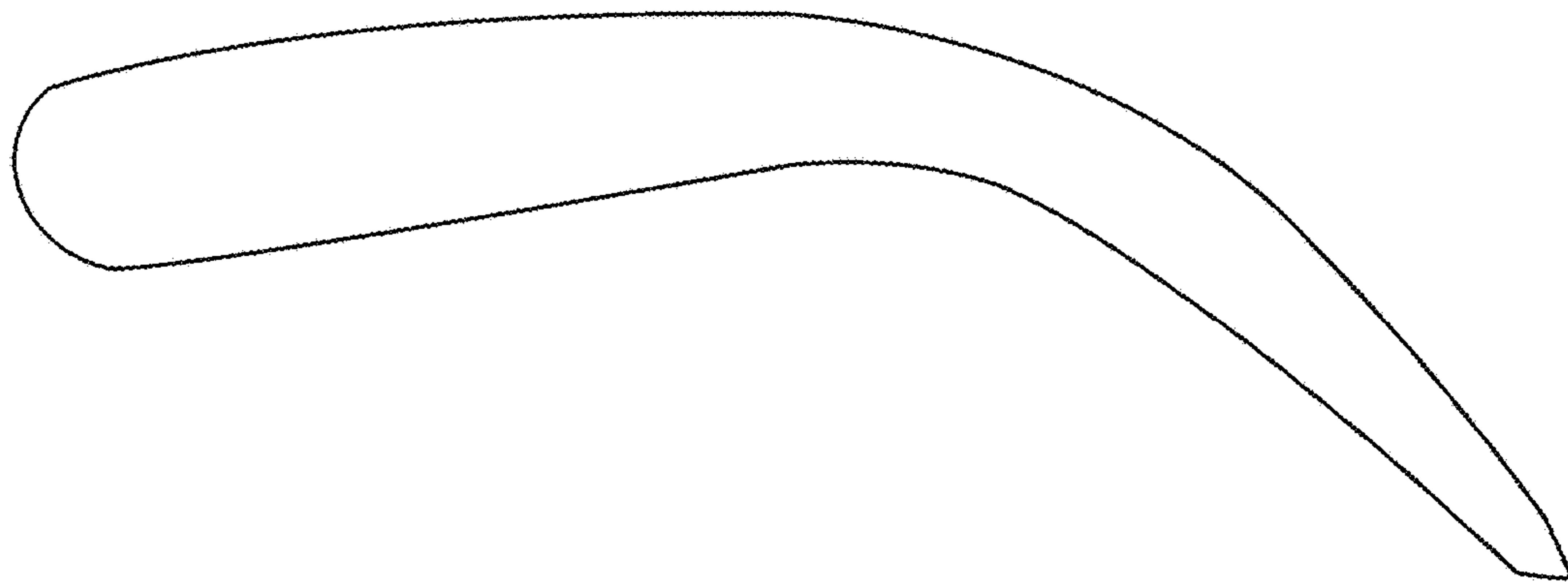


Fig. 6

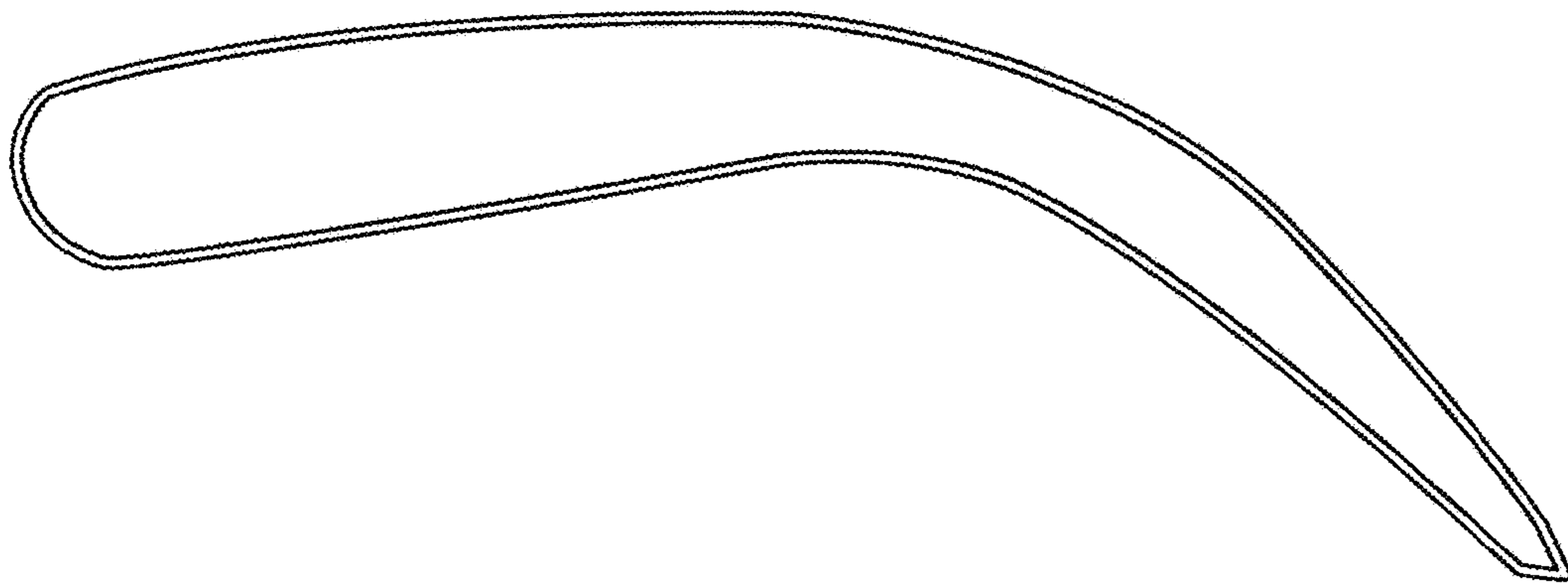


Fig. 7

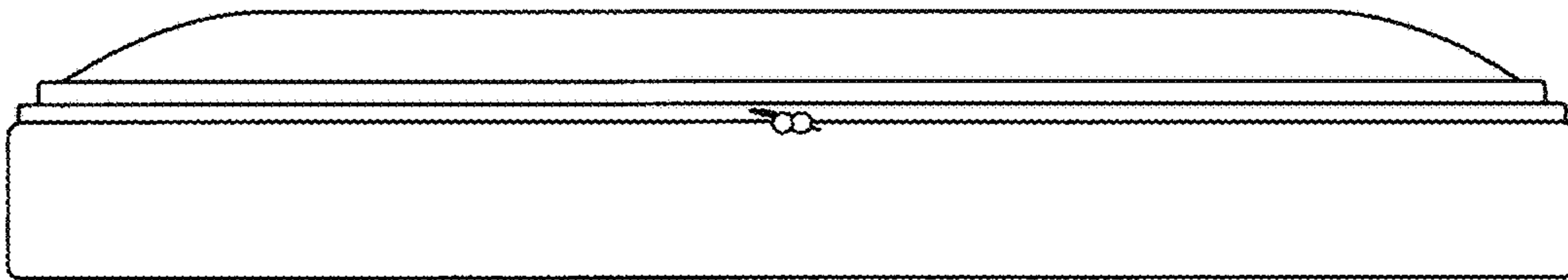


Fig. 8

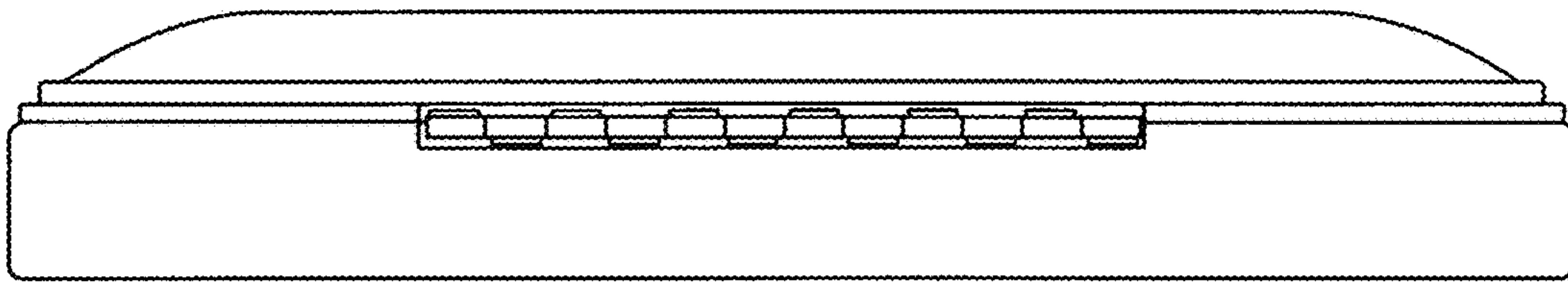


Fig. 9

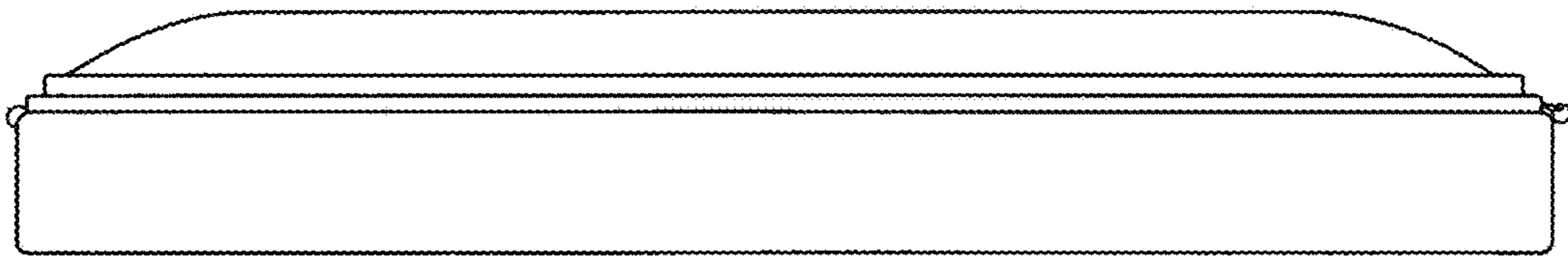


Fig. 10

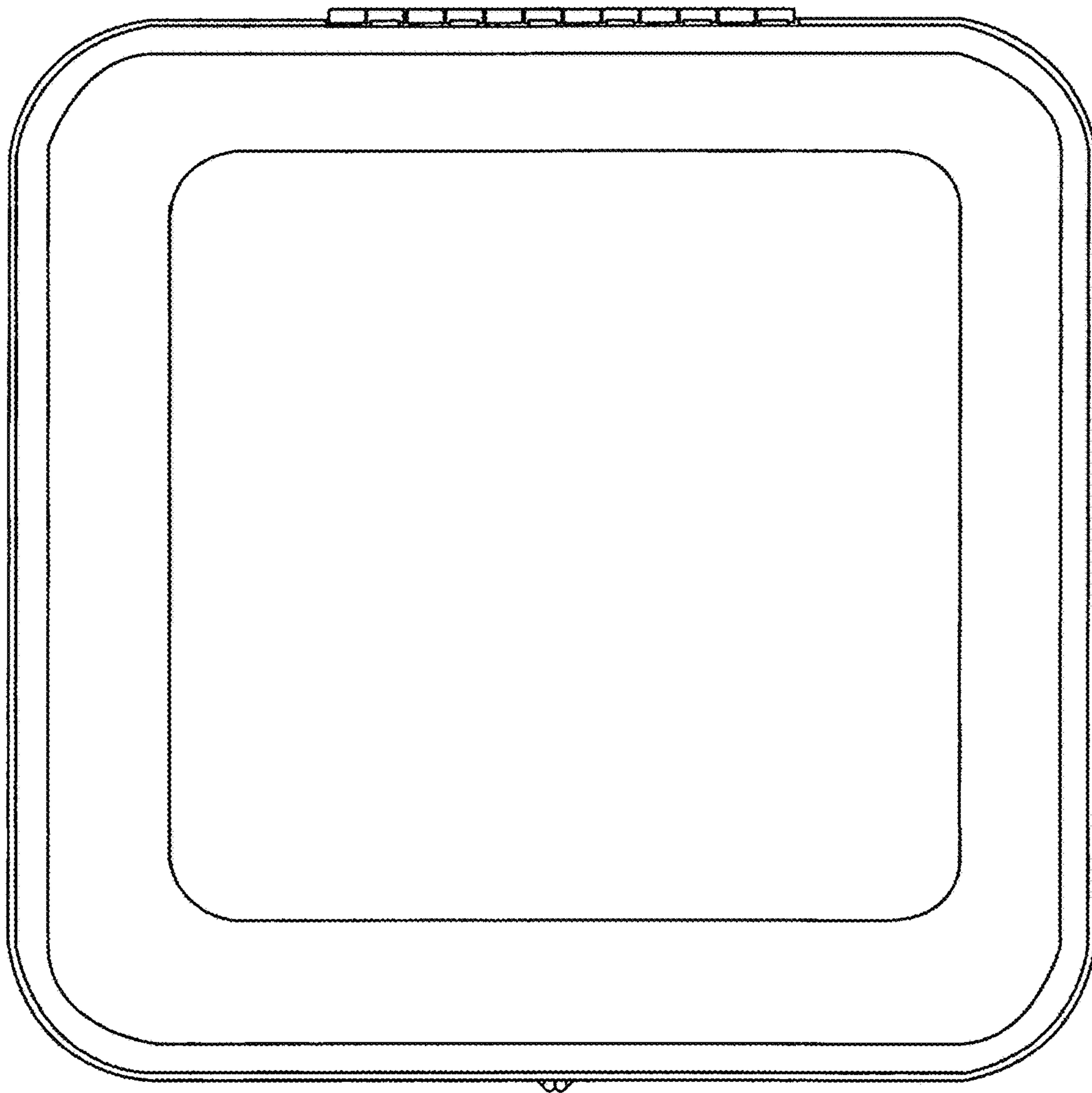


Fig. 11

