



US00D853023S

(12) **United States Design Patent** (10) **Patent No.:** **US D853,023 S**
Bailey et al. (45) **Date of Patent:** **** Jul. 2, 2019**

(54) **CLAMSHELL CONTAINER**
(71) Applicants: **Ryan Bailey**, Richmond, VA (US);
Robert T. Mitten, Richmond, VA (US)
(72) Inventors: **Ryan Bailey**, Richmond, VA (US);
Robert T. Mitten, Richmond, VA (US)
(73) Assignee: **ALTRIA CLIENT SERVICES LLC**,
Richmond, VA (US)

Primary Examiner — Brandon M Rosati
Assistant Examiner — Marissa J Cash
(74) *Attorney, Agent, or Firm* — Harness, Dickey &
Pierce, P.L.C.

(**) **Term:** **15 Years**
(21) **Appl. No.:** **29/567,587**
(22) **Filed:** **Jun. 10, 2016**
(51) **LOC (11) Cl.** **27-06**
(52) **U.S. Cl.**
USPC **D27/189**
(58) **Field of Classification Search**
USPC D27/100, 101, 139–161, 162–196;
D24/110; D23/366; D3/273; D9/455,
D9/456
CPC A24F 15/00; A24F 9/16
See application file for complete search history.

(57) **CLAIM**
The ornamental design for a clamshell container, as shown
and described.

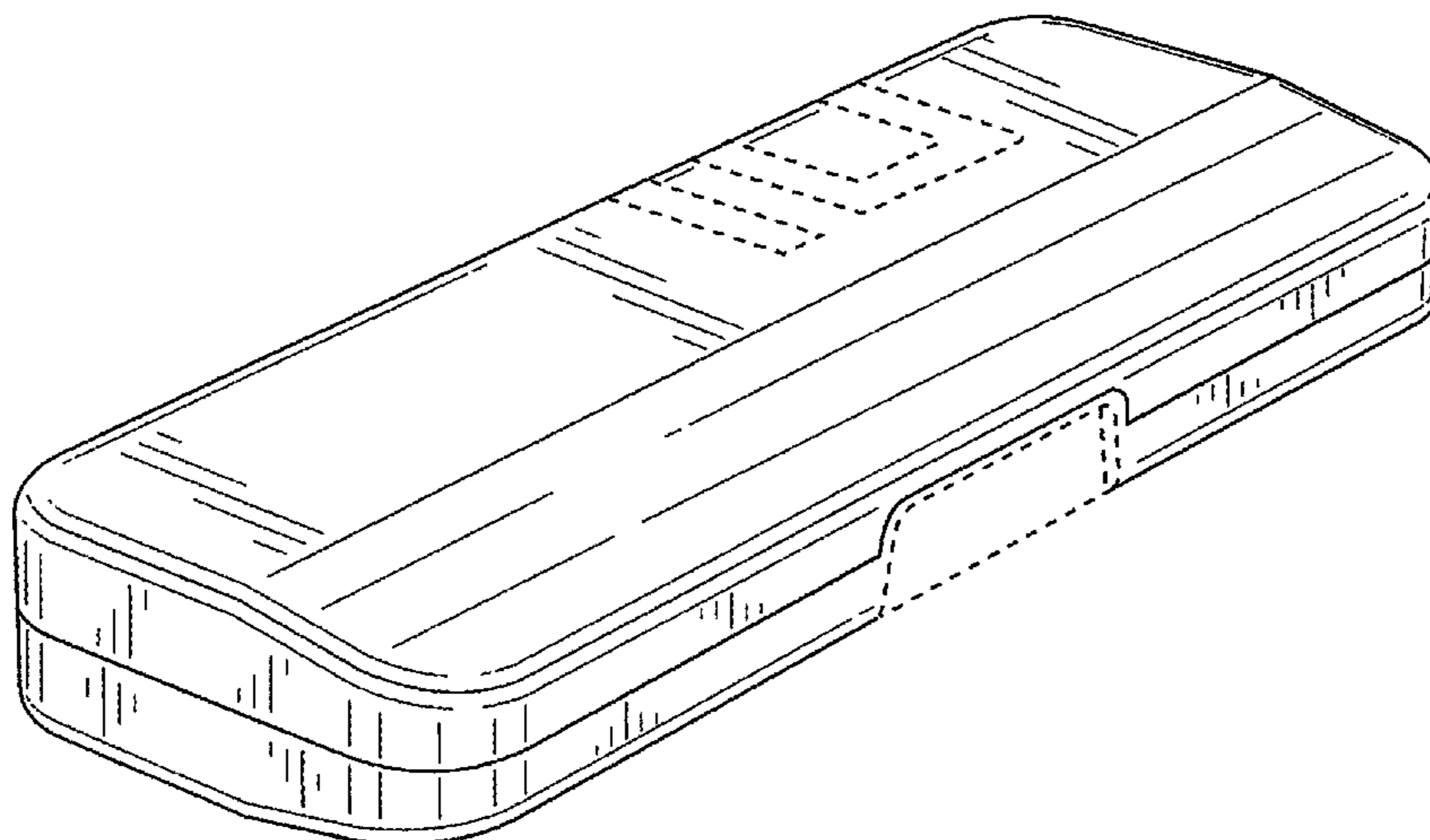
DESCRIPTION

FIG. 1 is a perspective view of a first embodiment of a clamshell container;
FIG. 2 is a front elevation view of the first embodiment of the clamshell container of FIG. 1;
FIG. 3 is a rear elevation view of the first embodiment of the clamshell container of FIG. 1;
FIG. 4 is a right side elevation view of the first embodiment of the clamshell container of FIG. 1, the left side being a mirror image thereof;
FIG. 5 is a top plan view of the first embodiment of the clamshell container of FIG. 1;
FIG. 6 is a bottom plan view of the first embodiment of the clamshell container of FIG. 1;
FIG. 7 is a perspective view of a second embodiment of a clamshell container;
FIG. 8 is a front elevation view of the second embodiment of the clamshell container of FIG. 7;
FIG. 9 is a rear elevation view of the second embodiment of the clamshell container of FIG. 7;
FIG. 10 is a right side elevation view of the second embodiment of the clamshell container of FIG. 7, the left side being a mirror image thereof;
FIG. 11 is a top plan view of the second embodiment of the clamshell container of FIG. 7; and,
FIG. 12 is a bottom plan view of the second embodiment of the clamshell container of FIG. 7.
The portions of the design shown in broken lines form no part of the claimed design.

(56) **References Cited**
U.S. PATENT DOCUMENTS
D259,894 S * 7/1981 Collaud D27/159
D260,690 S * 9/1981 Stutzer D27/154
D332,324 S * 1/1993 Howey, Jr. D27/128
D452,939 S 1/2002 Lai
D471,323 S 3/2003 Lai
D515,423 S * 2/2006 Chu D9/456
D536,480 S * 2/2007 Park D27/143
D576,354 S 9/2008 Dominski et al.
D596,788 S * 7/2009 Fuente D27/189
D612,094 S 3/2010 Bellamah et al.
D631,353 S * 1/2011 Gelardi D9/455
D638,297 S * 5/2011 Gelardi D9/455
D647,247 S * 10/2011 Jones D27/163
D648,630 S * 11/2011 Doster D19/83

(Continued)

1 Claim, 12 Drawing Sheets



(56)

References Cited

U.S. PATENT DOCUMENTS

D689,772 S * 9/2013 Jones D9/456
D692,177 S * 10/2013 Angiolillo D27/189
D692,615 S 10/2013 Verleur
D693,054 S * 11/2013 Verleur D27/189
D723,920 S * 3/2015 Wakeham D9/456
D740,223 S * 10/2015 Yoneta D13/108
D751,251 S * 3/2016 Fath D27/189
D754,920 S * 4/2016 Domon D27/189
D756,223 S * 5/2016 Pipes D9/456
D775,414 S * 12/2016 Ampolini D13/108
D789,599 S * 6/2017 Kesselman D27/189
D811,653 S * 2/2018 Ali D27/181
D814,929 S * 4/2018 Bergeron D9/456
D815,344 S * 4/2018 Smith D27/189
D817,172 S * 5/2018 Jones D9/456
D818,195 S * 5/2018 Burger D27/186
D826,714 S * 8/2018 Pipes D9/456
D835,338 S * 12/2018 Oligschlaeger D27/186
2017/0101256 A1 * 4/2017 Zeitlin A24F 15/20

* cited by examiner

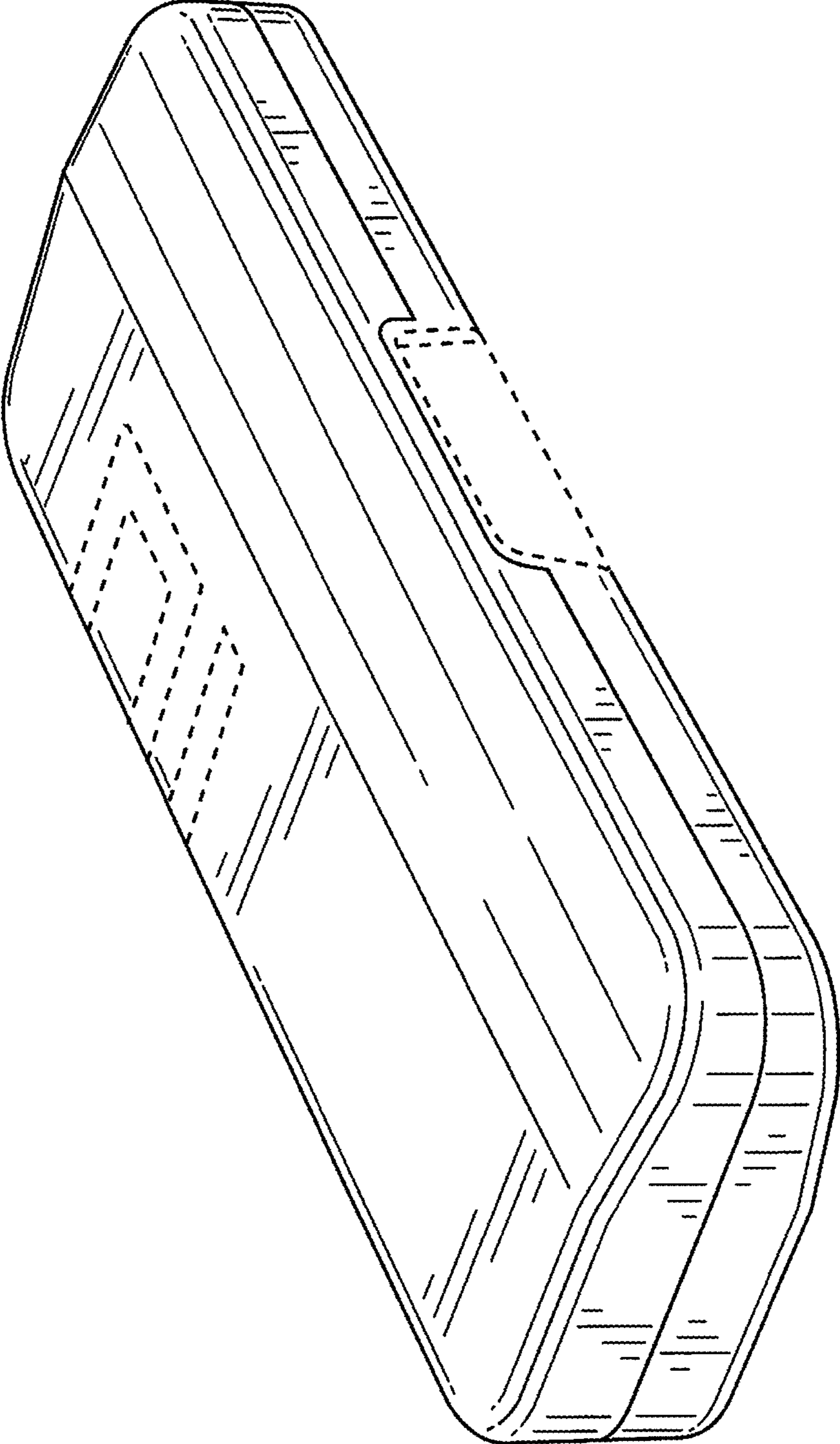


FIG. 1

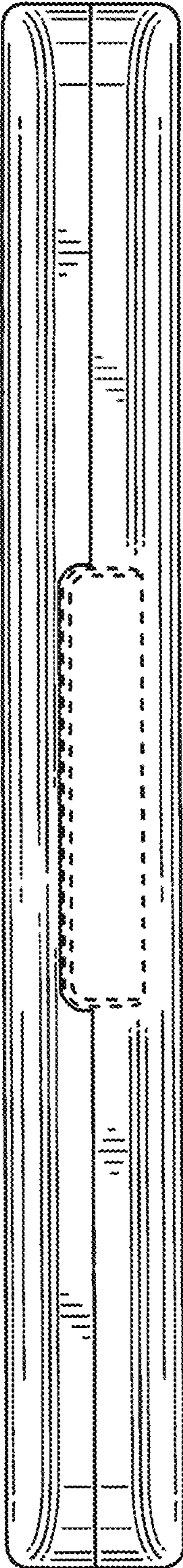


FIG. 2

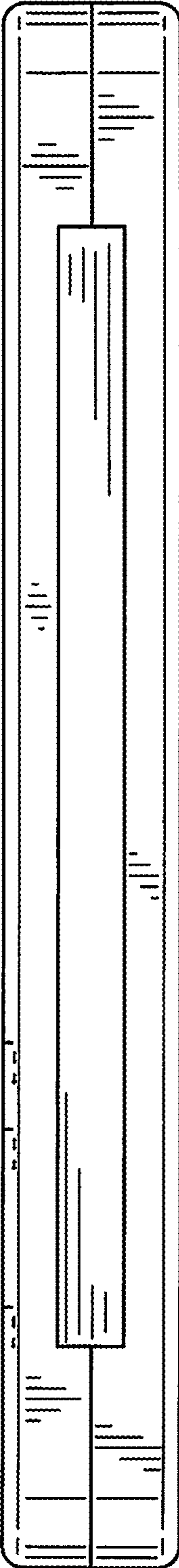


FIG. 3

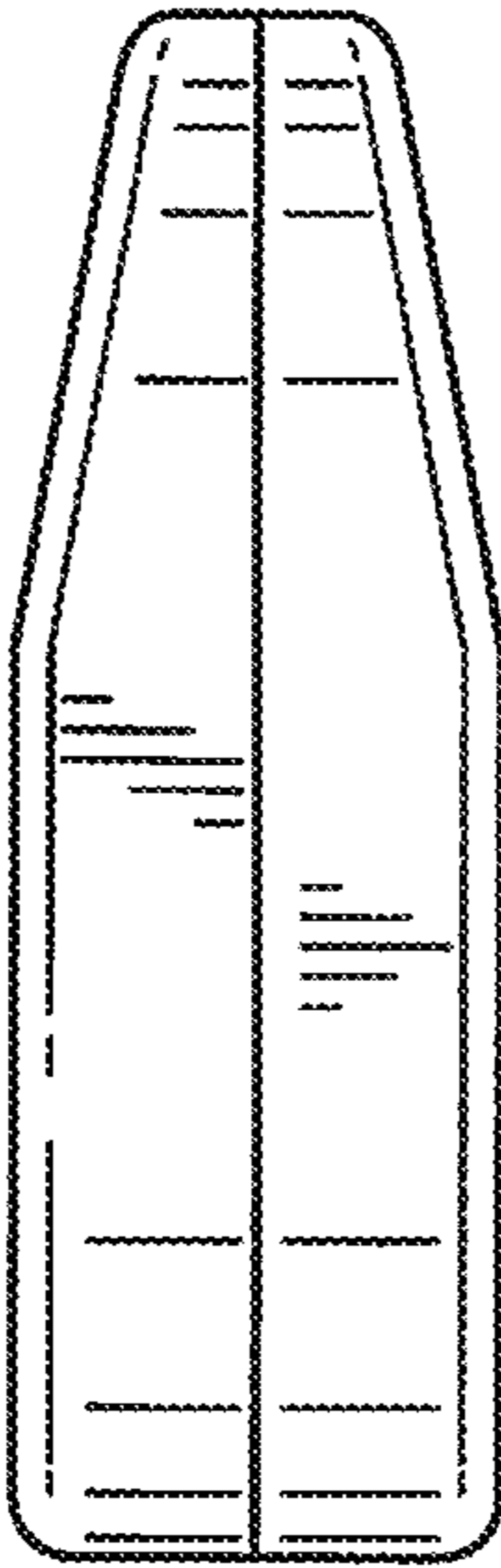


FIG. 4

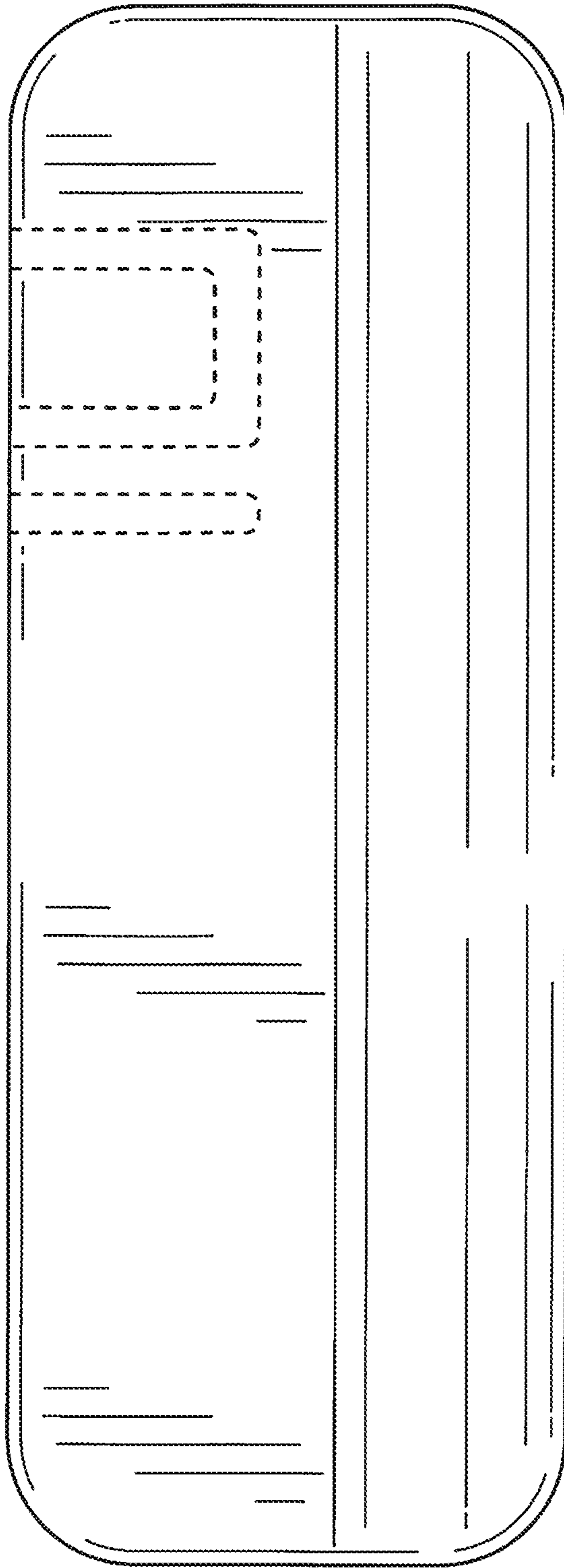


FIG. 5

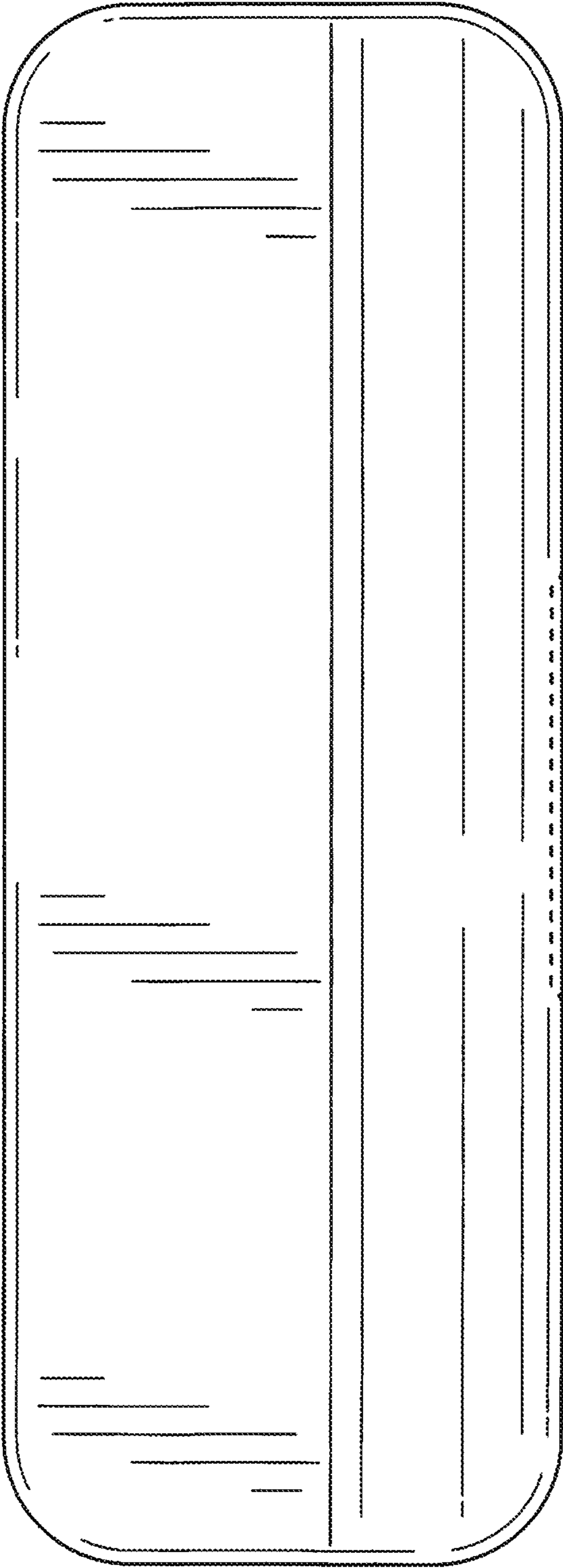


FIG. 6

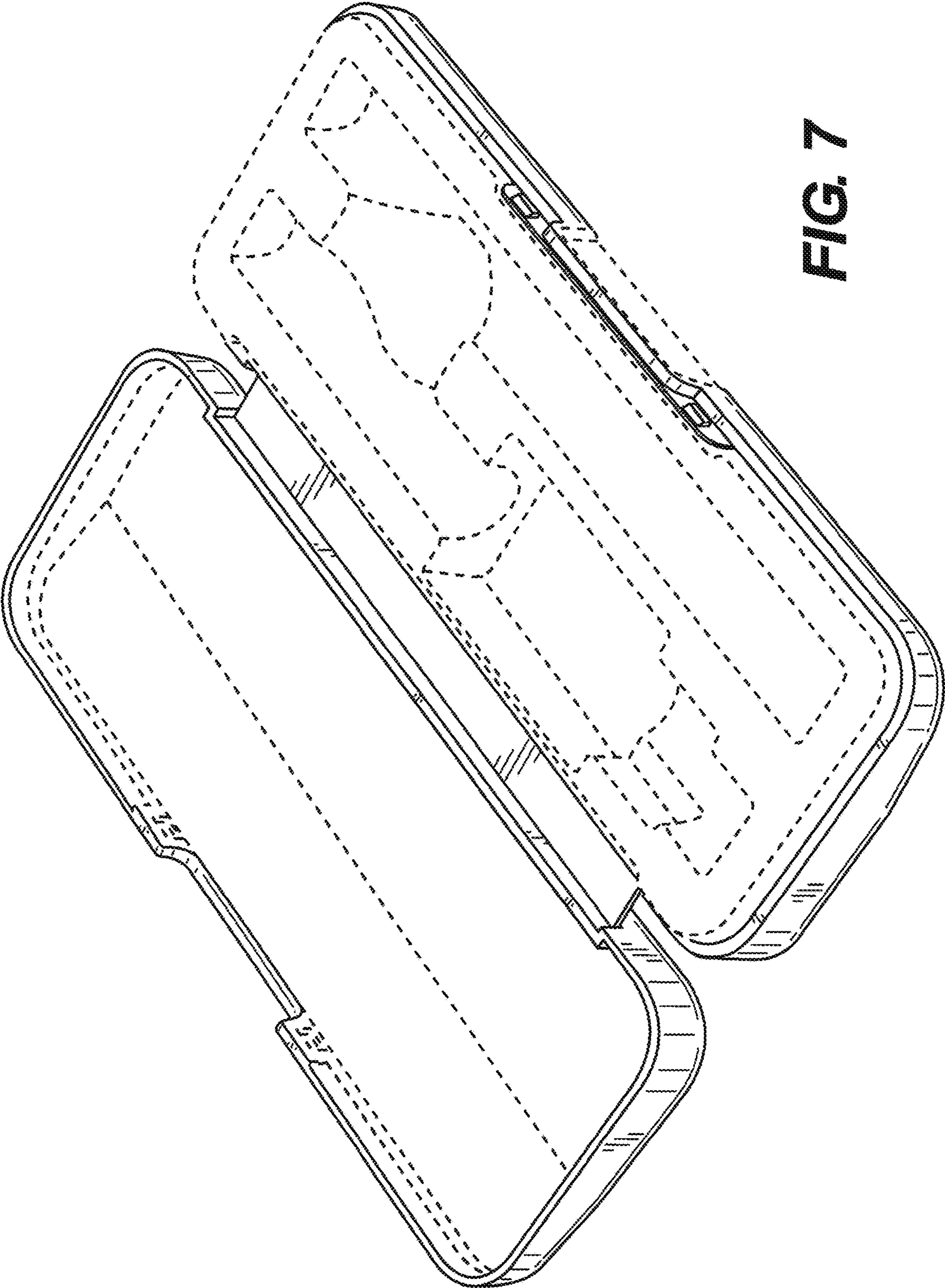


FIG. 7

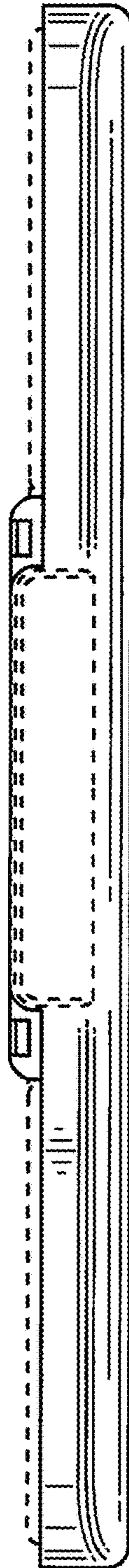


FIG. 8

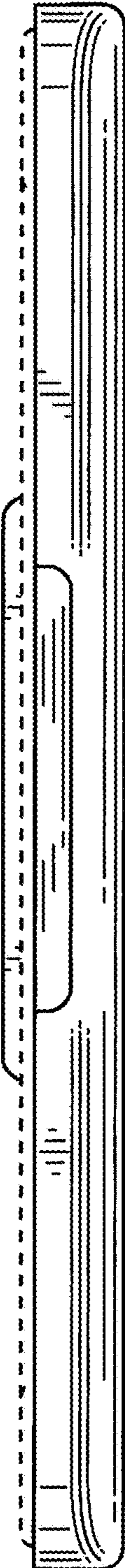


FIG. 9

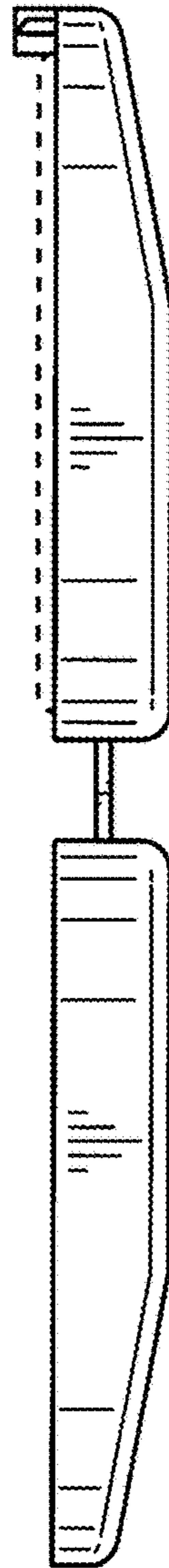


FIG. 10

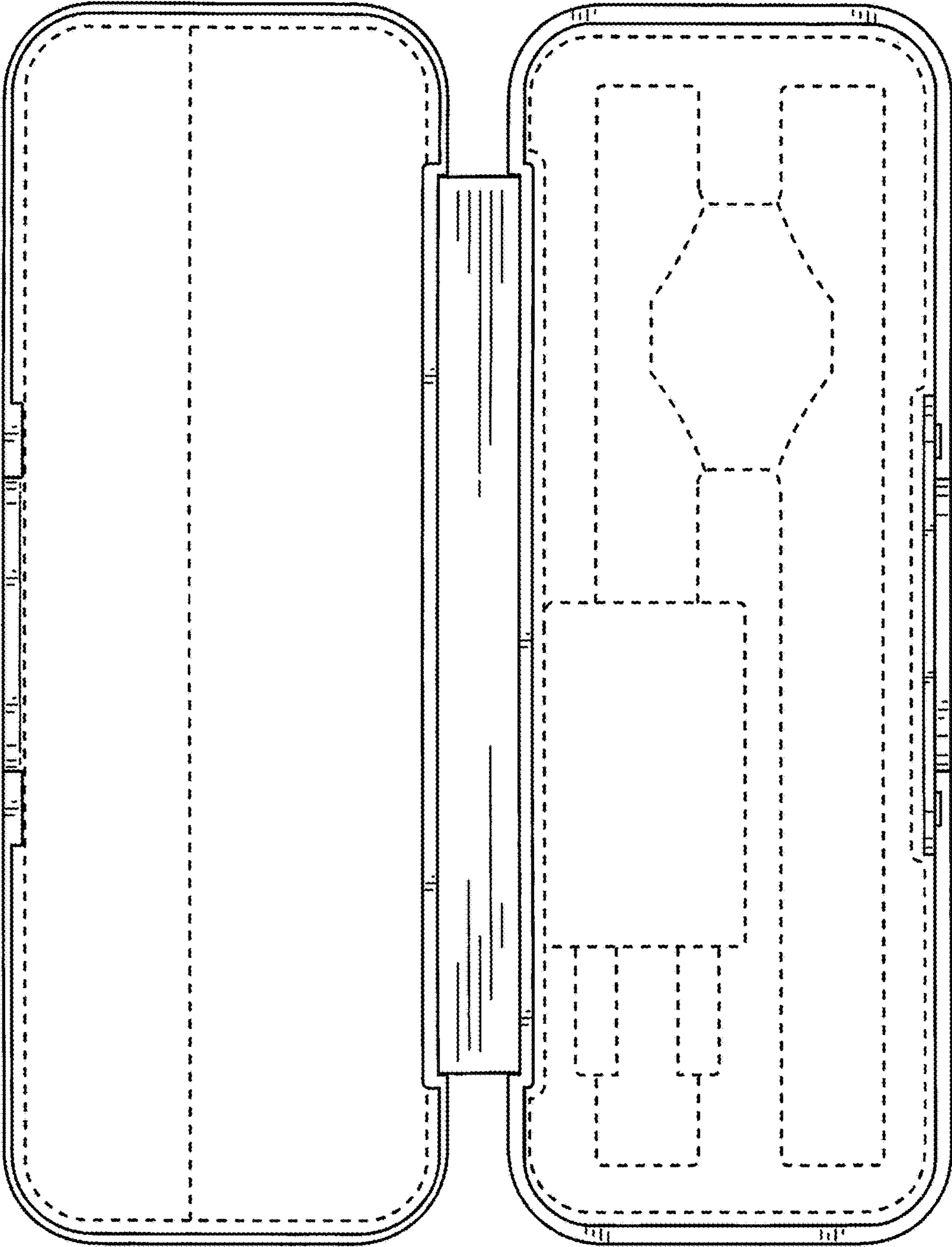


FIG. 11

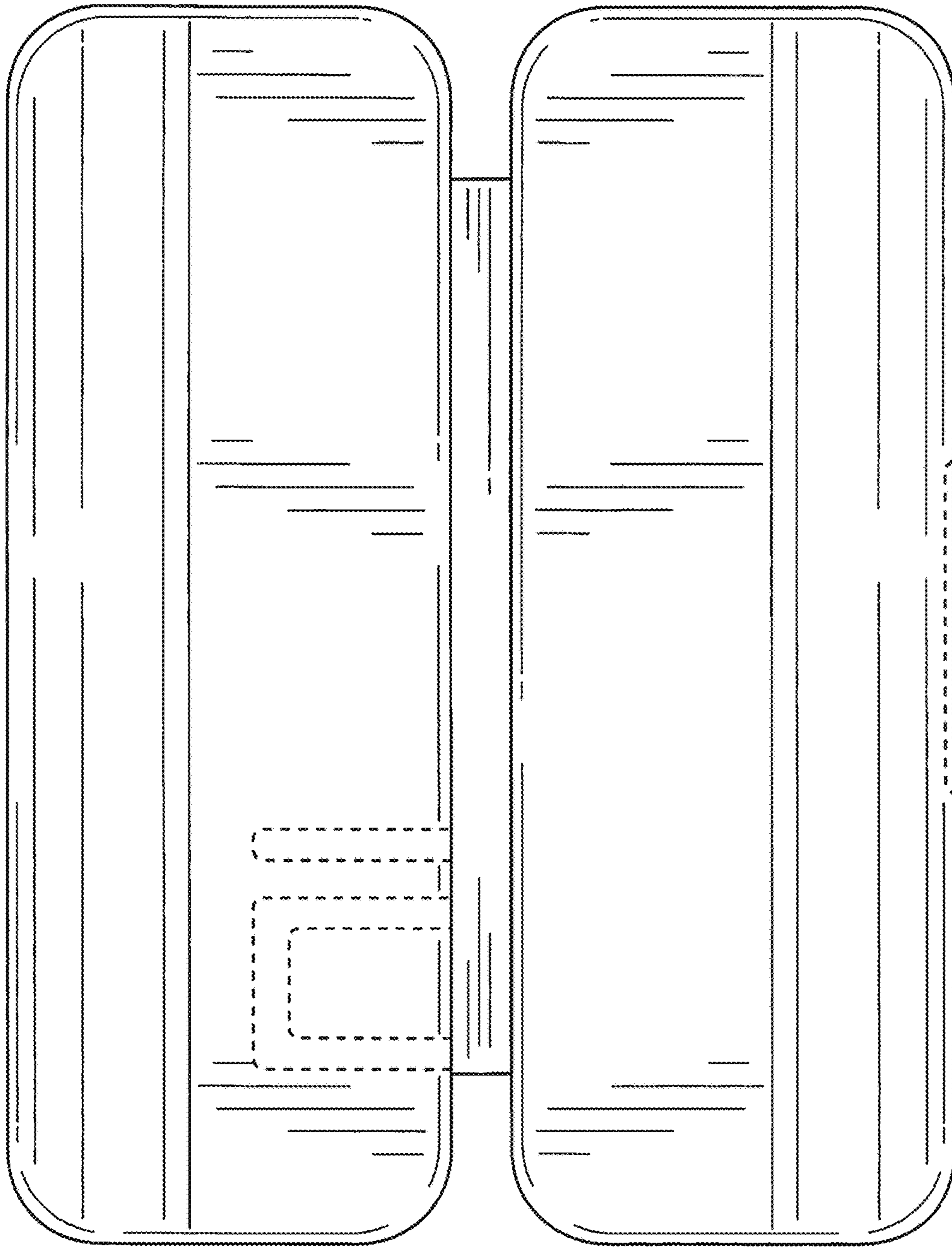


FIG. 12