



US00D853019S

(12) **United States Design Patent** (10) **Patent No.:** **US D853,019 S**  
**Chen et al.** (45) **Date of Patent:** **\*\* Jul. 2, 2019**

(54) **LED LENS**

(71) Applicant: **HANGZHOU HPWINNER OPTO CORPORATION**, Hangzhou, Zhejiang Province (CN)

(72) Inventors: **Kai Chen**, Hangzhou (CN); **Jianming Huang**, Hangzhou (CN)

(73) Assignee: **HANGZHOU HPWINNER OPTO CORPORATION**, Hangzhou, Zhejiang Province (CN)

(\*\*) Term: **15 Years**

(21) Appl. No.: **29/646,717**

(22) Filed: **May 7, 2018**

(30) **Foreign Application Priority Data**

Nov. 7, 2017 (CN) ..... 2017 3 0544819

(51) **LOC (11) Cl.** ..... **26-05**

(52) **U.S. Cl.**  
USPC ..... **D26/120**

(58) **Field of Classification Search**  
USPC ..... D26/1, 59, 71, 74, 76, 85, 87, 90, 118, D26/139; D23/377, 379, 411; 362/147, 362/148, 317, 325, 335, 338, 351, 362, 362/365, 435-456, 479, 483, 488, 490, 362/800

CPC ..... F21S 8/00; F21S 8/04; F21S 8/026; F21S 41/19; F21S 43/14; F21S 43/19; F21S 43/20; F21S 43/26; F21S 43/235; F21S 43/236; F21V 11/02; F21V 11/06; F21V 11/08; F21V 1/00; F21V 1/14; F21V 1/143; F21V 3/00; F21V 3/049; F21V 3/0615; F21V 3/0625; F21V 5/00; F21V 5/04; F21V 5/08; F21V 5/043; F21V 5/045; F21V 21/02; F21V 21/04

See application file for complete search history.

(56) **References Cited**

U.S. PATENT DOCUMENTS

D437,070	S	*	1/2001	Swensson	.....	D26/59
D529,203	S	*	9/2006	Nagai	.....	D26/1
D614,336	S	*	4/2010	Zheng	.....	D26/71
D640,822	S	*	6/2011	Wildner	.....	D26/89
D678,582	S	*	3/2013	Du	.....	D26/71
D700,987	S	*	3/2014	Nepple	.....	D26/120
D737,501	S	*	8/2015	Chen	.....	D26/120
D744,156	S	*	11/2015	Kjaergaard Toft	.....	D26/120
D751,240	S	*	3/2016	Wilcox	.....	D26/118
D768,888	S	*	10/2016	Tan	.....	D13/180
D784,574	S	*	4/2017	Wang	.....	D13/180
D790,085	S	*	6/2017	Goltche	.....	D26/1
D792,011	S	*	7/2017	Bobel	.....	D26/71
D822,261	S	*	7/2018	Demuyneck	.....	D26/92
D831,883	S	*	10/2018	Goltche	.....	D26/139
D838,027	S	*	1/2019	Bobel	.....	D26/71
D841,219	S	*	2/2019	Chen	.....	D26/85

(Continued)

*Primary Examiner* — Wan Laymon

*Assistant Examiner* — Clint A Samuel

(74) *Attorney, Agent, or Firm* — Muncy, Geissler, Olds & Lowe, P.C.

(57) **CLAIM**

The ornamental design for a LED lens, as shown and described.

**DESCRIPTION**

FIG. 1 is a front elevational view of a LED lens showing our new design;

FIG. 2 is a rear elevational view thereof;

FIG. 3 is a top plan view thereof;

FIG. 4 is a bottom plan view thereof;

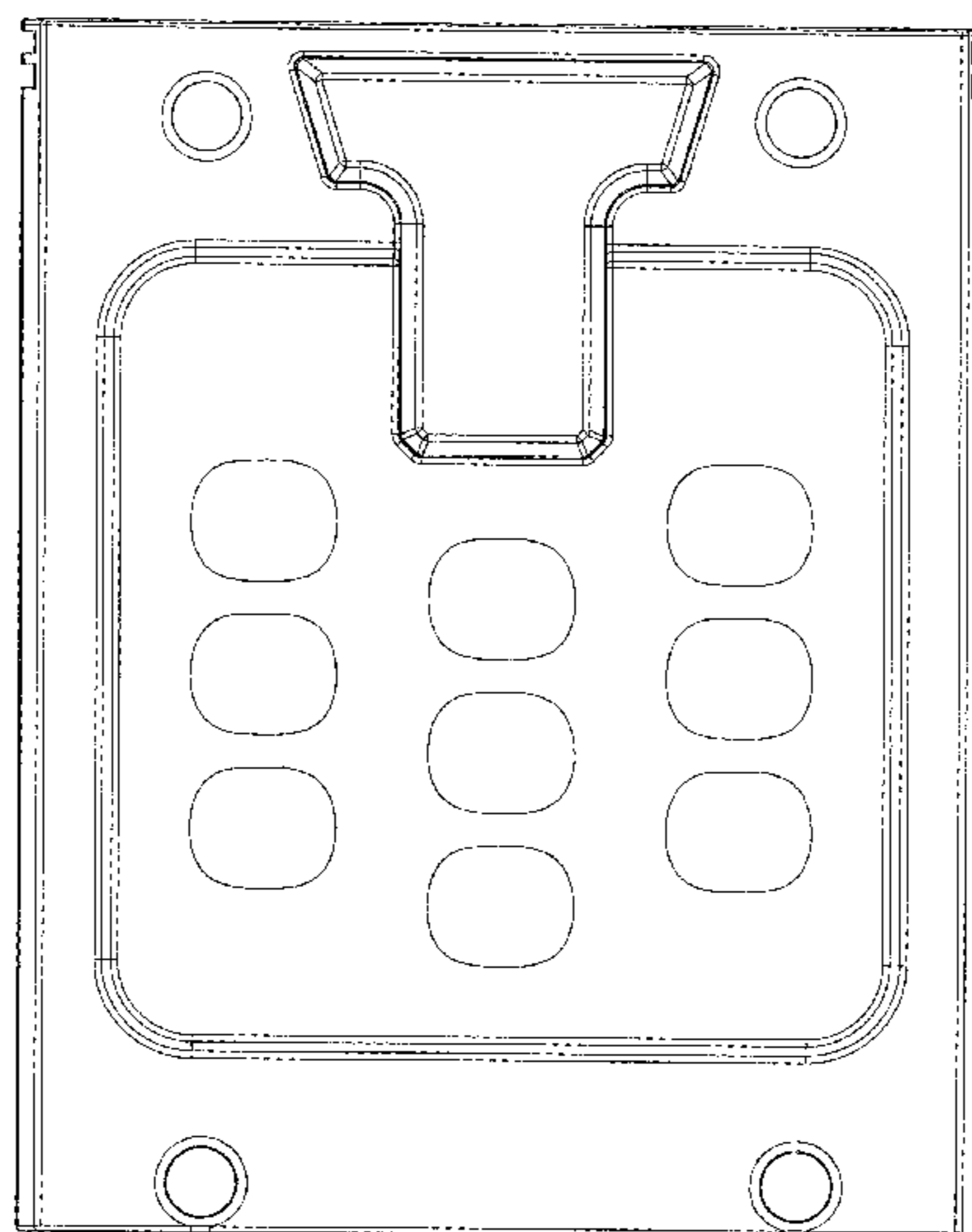
FIG. 5 is a left side view thereof;

FIG. 6 is a right side view thereof;

FIG. 7 is a front perspective view thereof; and,

FIG. 8 is rear perspective view thereof.

**1 Claim, 8 Drawing Sheets**



(56)

**References Cited**

U.S. PATENT DOCUMENTS

2005/0094414 A1\* 5/2005 Ishida ..... F21S 41/147  
362/545  
2010/0032693 A1\* 2/2010 Sugiura ..... H01L 33/60  
257/88  
2011/0157891 A1\* 6/2011 Davis ..... B29C 45/14467  
362/244  
2012/0307504 A1\* 12/2012 Chou ..... F21V 5/007  
362/351  
2013/0039054 A1\* 2/2013 Yang ..... F21V 5/04  
362/234  
2014/0268762 A1\* 9/2014 Raleigh ..... F21V 5/04  
362/244  
2015/0153033 A1\* 6/2015 Kuo ..... F21K 9/00  
362/311.02  
2017/0167713 A1\* 6/2017 Hong ..... F21V 29/74  
2018/0266652 A1\* 9/2018 Dedick ..... F21V 3/0625

\* cited by examiner

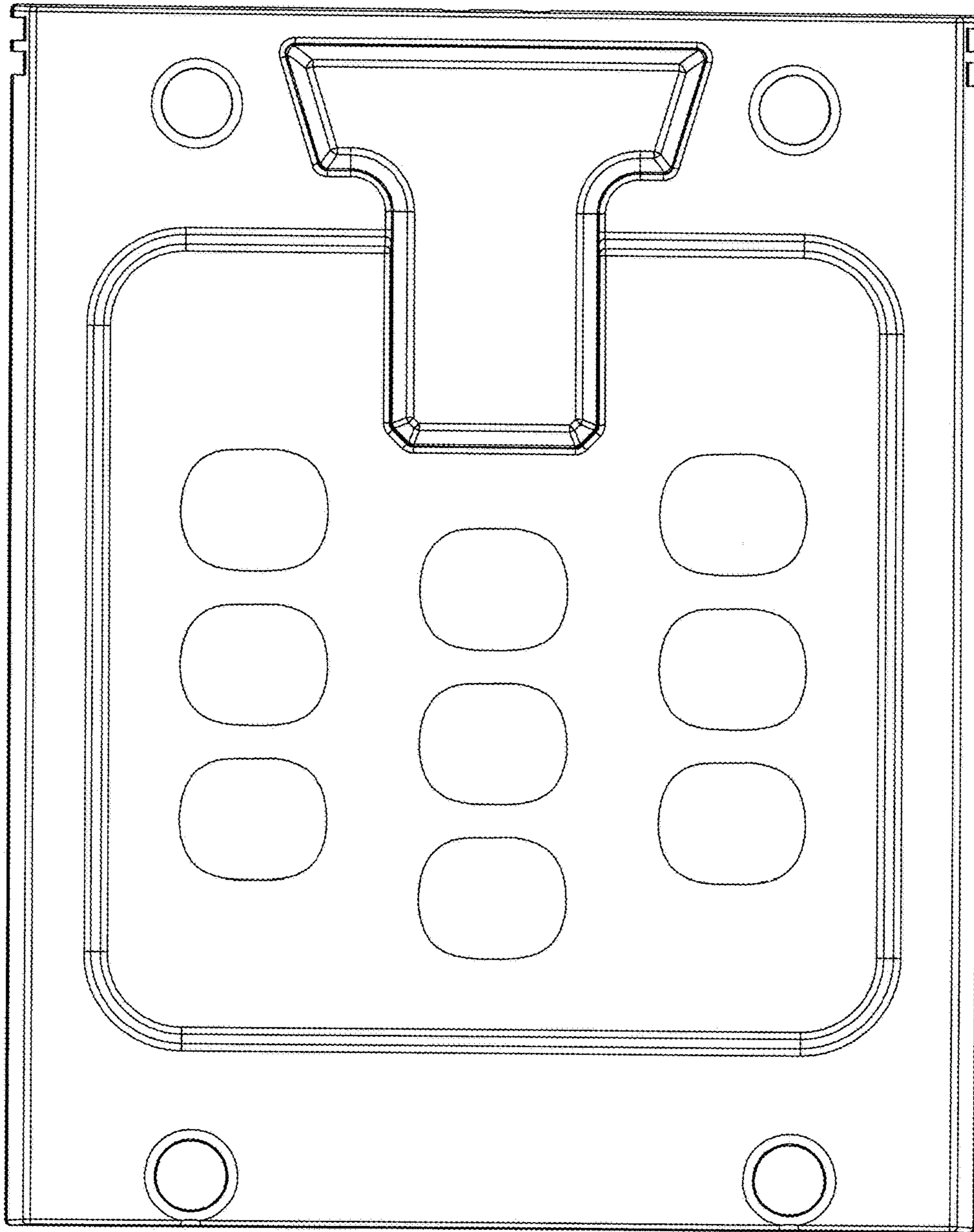


FIG. 1

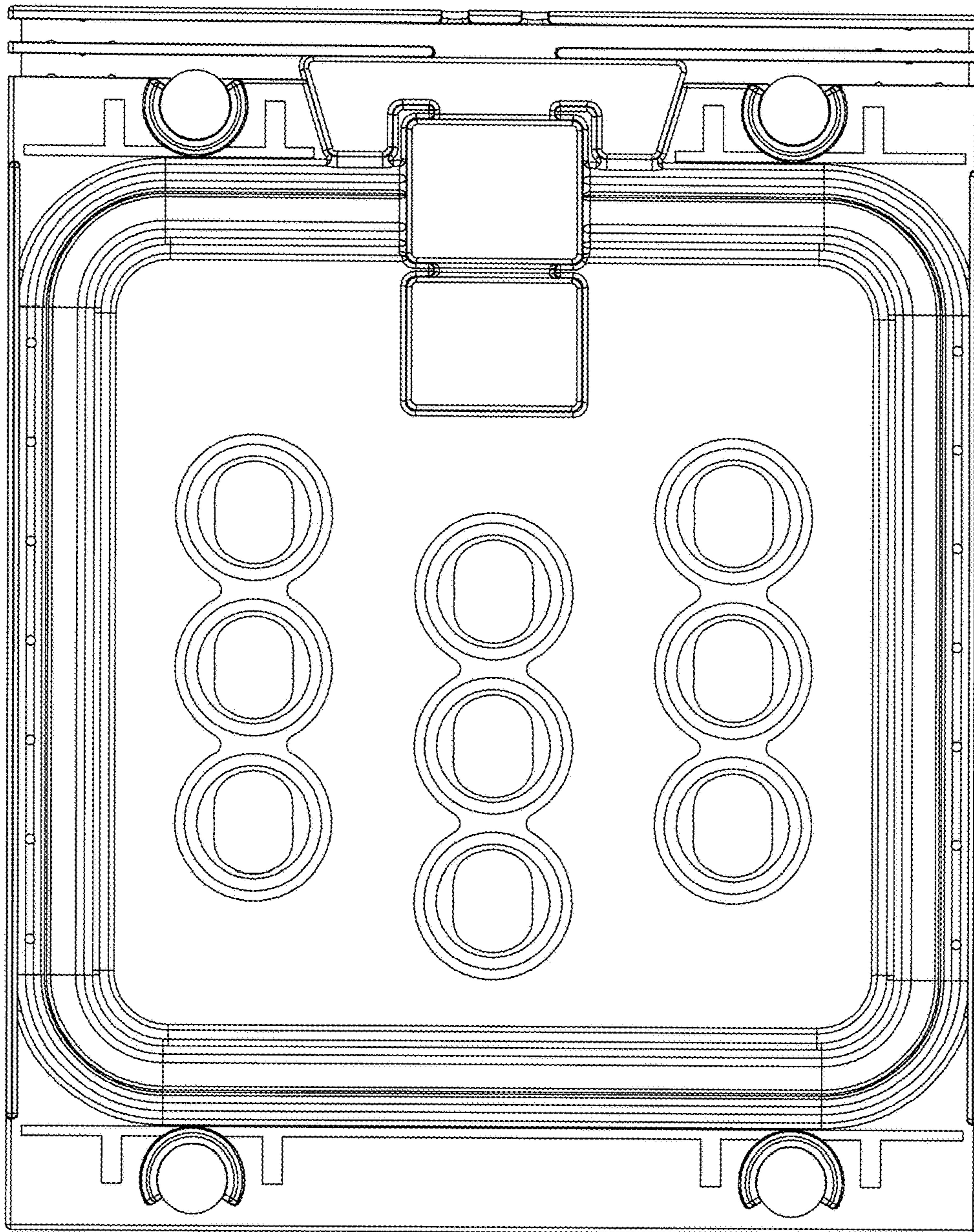


FIG. 2

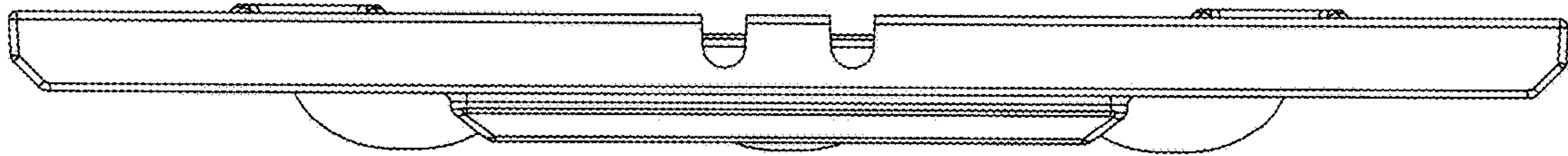


FIG. 3

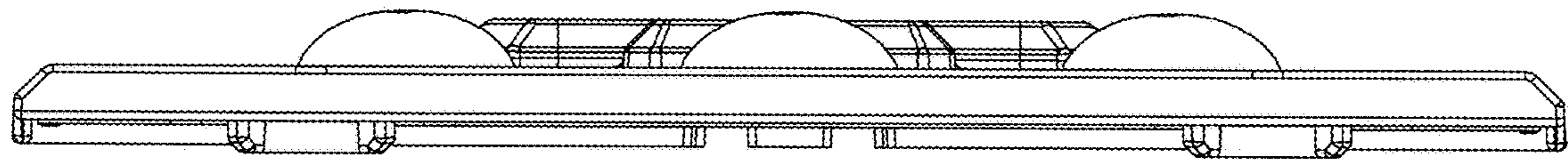


FIG. 4

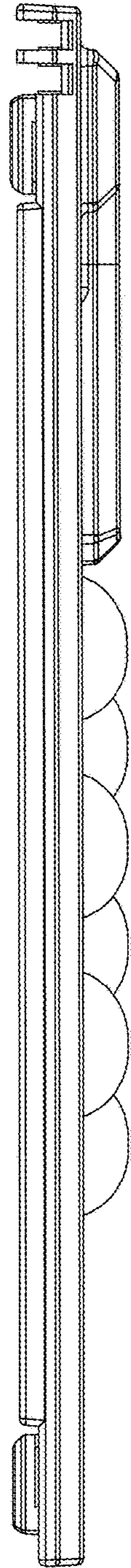


FIG. 5

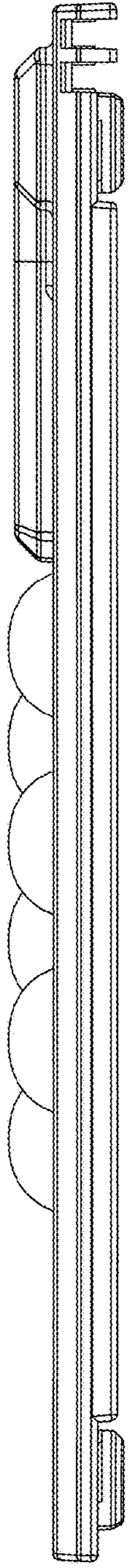


FIG. 6



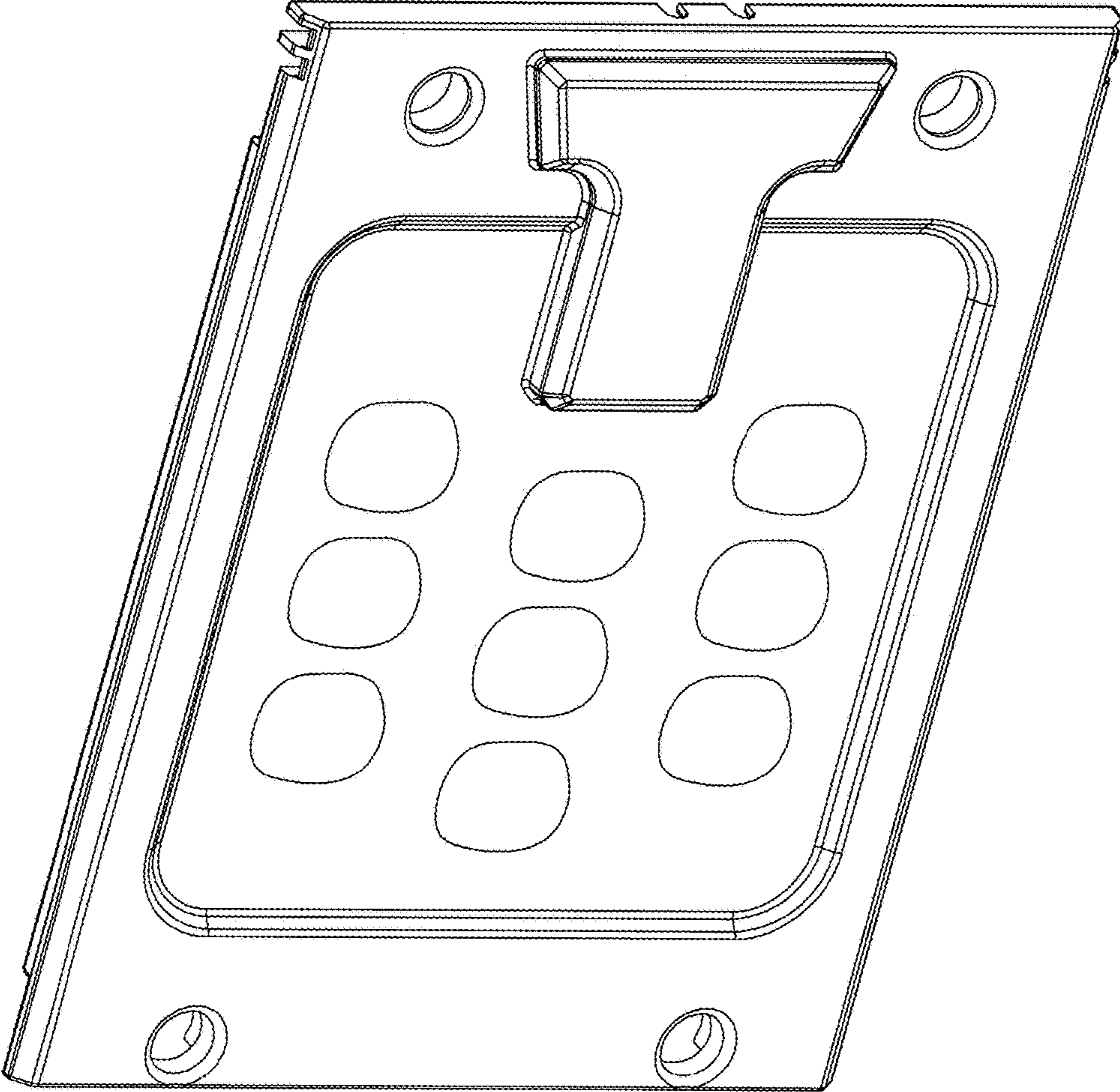


FIG. 7

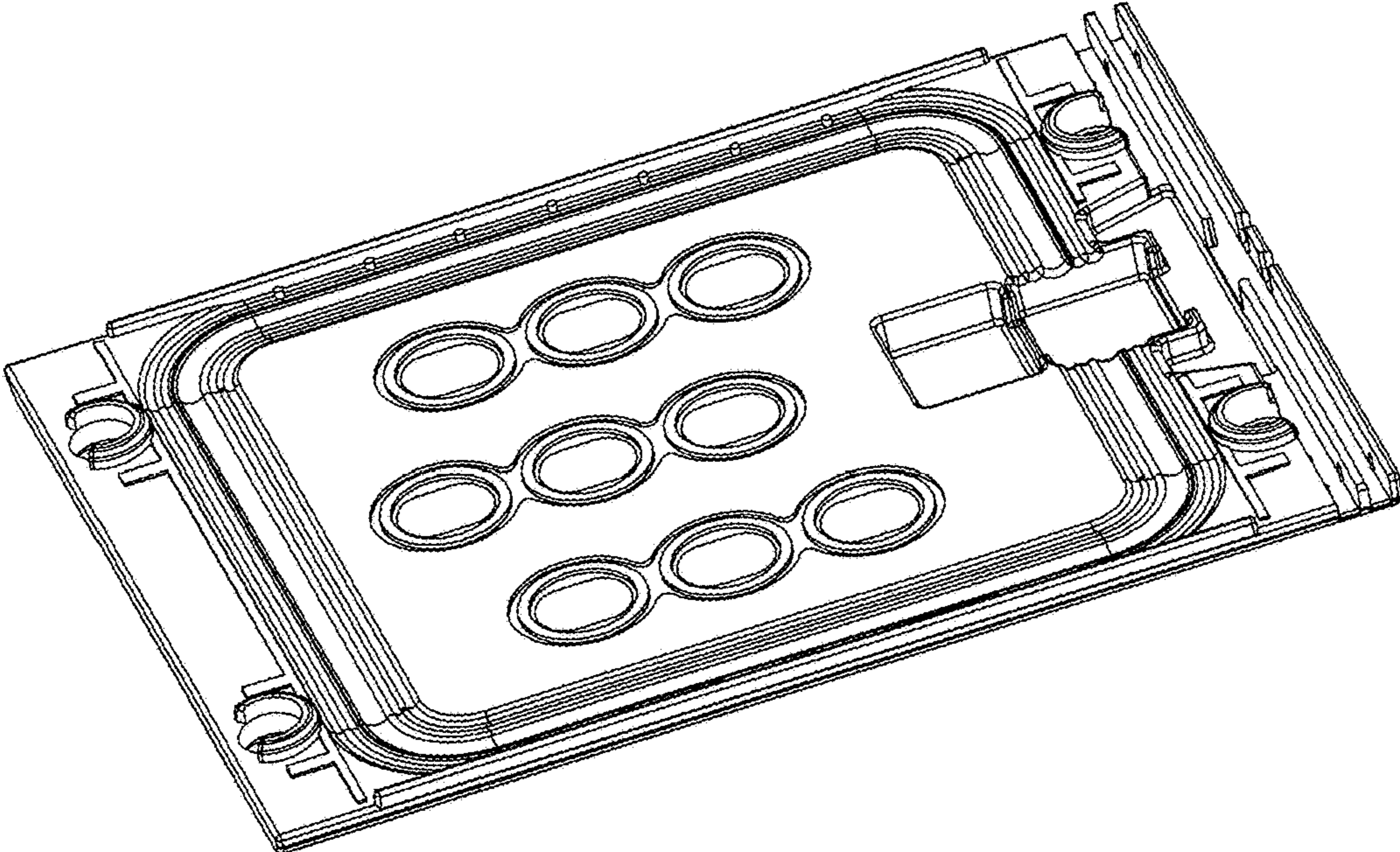


FIG. 8