



US00D853017S

(12) **United States Design Patent** (10) **Patent No.:** **US D853,017 S**
Rioux et al. (45) **Date of Patent:** **** Jul. 2, 2019**

(54) **TUBE FOR A LIGHTING DEVICE**

(71) Applicants: **Philip Rioux**, Brentwood, NH (US);
Shiyong Zhang, Boxborough, MA (US)

(72) Inventors: **Philip Rioux**, Brentwood, NH (US);
Shiyong Zhang, Boxborough, MA (US)

(**) Term: **15 Years**

(21) Appl. No.: **29/621,610**

(22) Filed: **Oct. 10, 2017**

(51) **LOC (11) Cl.** **26-99**

(52) **U.S. Cl.**
USPC **D26/118**

(58) **Field of Classification Search**
USPC D24/168, 186-187, 189, 200; D7/183,
D7/224; D25/103, 119, 122; D9/455,
D9/456; D8/349, 356, 403; D26/3, 42,
D26/43, 75, 76, 79, 92, 93, 104, 118, 119
CPC A47H 23/05; A47H 23/14; A47H 13/00;
E06B 9/02; F42D 5/045; F21S 6/002;
F21S 6/003; F21S 4/20
See application file for complete search history.

(56) **References Cited**
U.S. PATENT DOCUMENTS

D26,562 S * 1/1897 Pike D23/266
1,202,288 A * 10/1916 Hartshorn E06B 9/52
160/391
D96,508 S * 8/1935 Rosenburgh D23/266
3,355,795 A * 12/1967 Clark B21C 37/0811
228/117
D324,645 S * 3/1992 Magro D25/122

D337,257 S * 7/1993 Danieli D25/122
D345,197 S * 3/1994 Potter D23/266
D445,170 S * 7/2001 Speicher D23/266
D473,663 S * 4/2003 Chou D25/122
D524,442 S * 7/2006 Houston D24/155
D551,880 S * 10/2007 Chen D25/122
D574,932 S * 8/2008 Zhuang D23/266
D611,013 S * 3/2010 Takahashi D13/182
D641,243 S * 7/2011 Golias D9/456
D651,920 S * 1/2012 Lai D9/711
D661,379 S * 6/2012 Motegi D23/266
D661,380 S * 6/2012 Motegi D23/266
D693,140 S * 11/2013 Rospieski D6/545
D754,902 S * 4/2016 Parker D26/76
D760,524 S * 7/2016 Bonuccelli D25/122
D769,463 S * 10/2016 Ho D25/122
D775,451 S * 1/2017 Kimura D1/126
9,551,480 B2 * 1/2017 Speer F21K 9/27
D801,545 S * 10/2017 Wiesli D24/224
D819,228 S * 5/2018 Zorn D25/61
D836,238 S * 12/2018 Ericson, Jr. D26/118

* cited by examiner

Primary Examiner — Susan Bennett Hattan
Assistant Examiner — Omeed Agilee

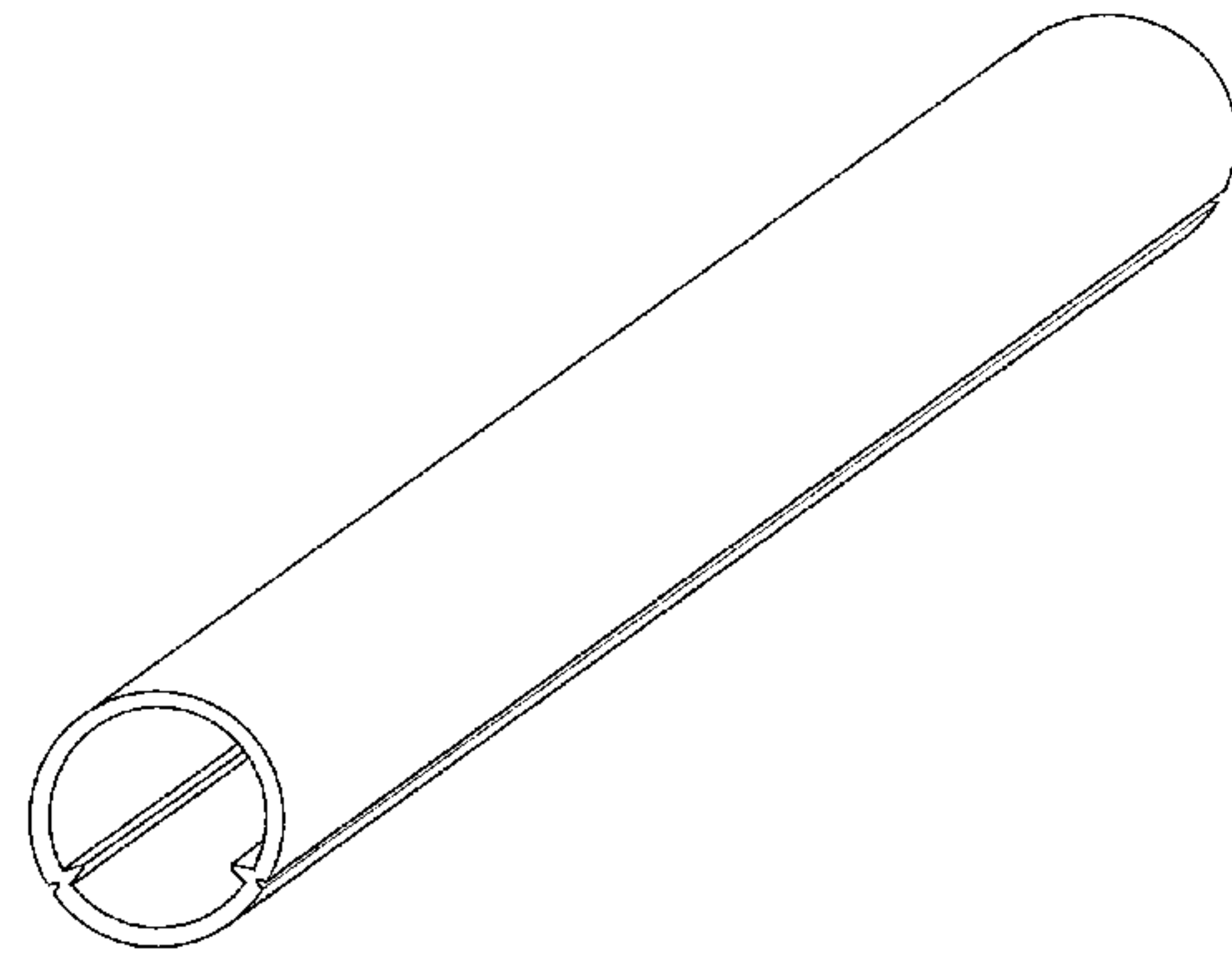
(57) **CLAIM**

The ornamental design for a tube for a lighting device, as shown and described.

DESCRIPTION

FIG. 1 is a perspective view of a tube for a lighting device showing our new design;
FIG. 2 is a perspective bottom view thereof;
FIG. 3 is a left side elevation view; and,
FIG. 4 is a right side elevation view.

1 Claim, 3 Drawing Sheets



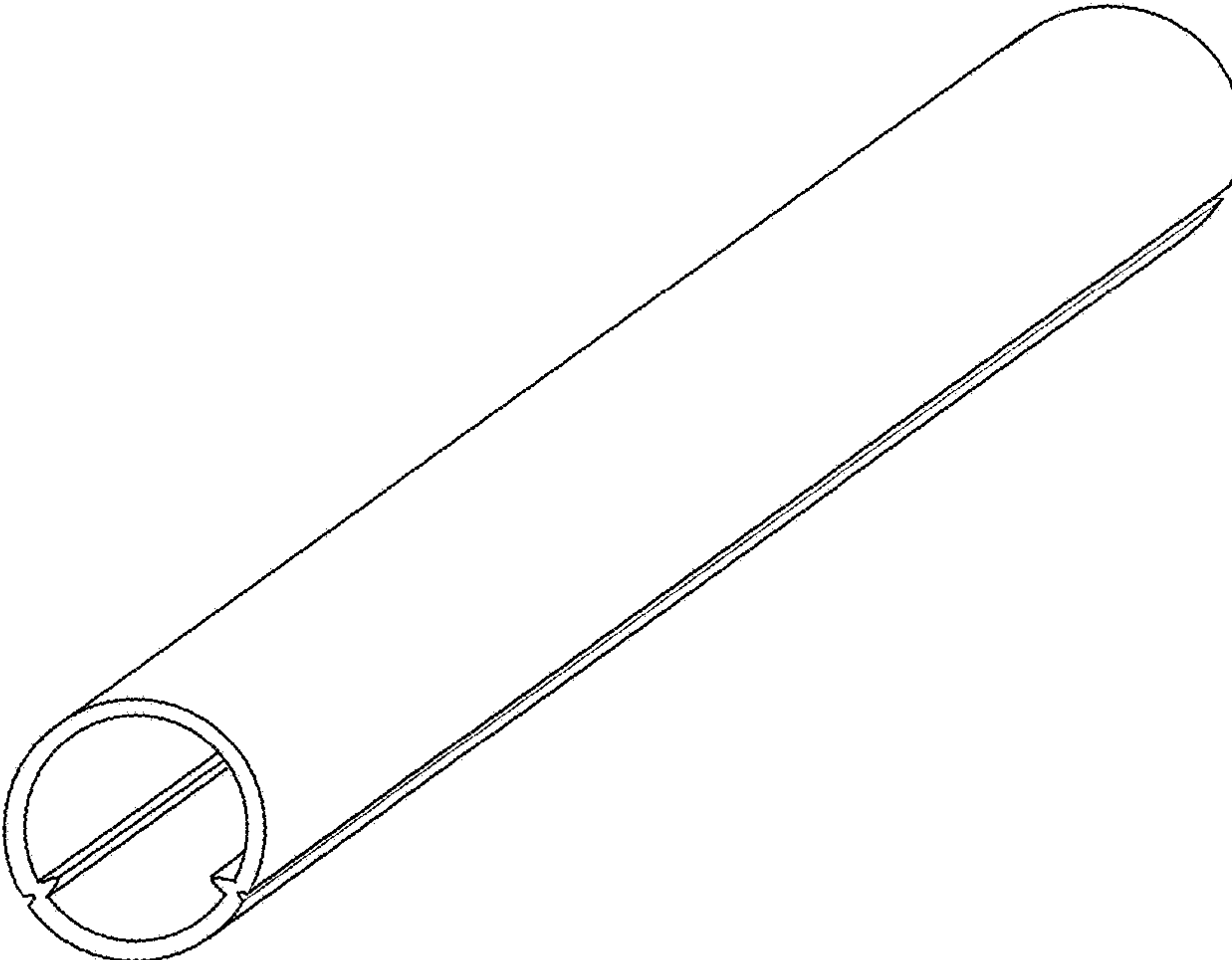


FIG. 1

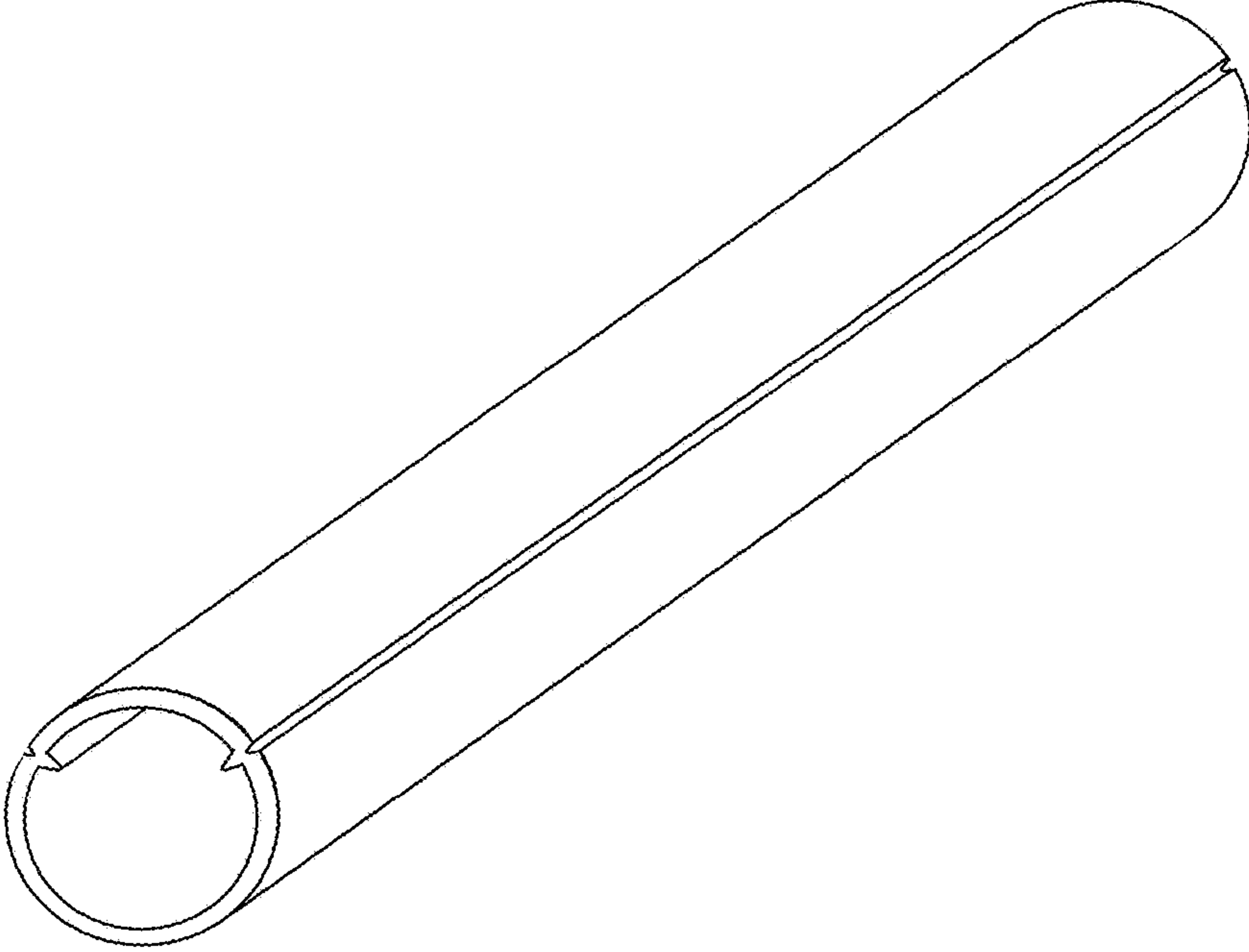


FIG. 2

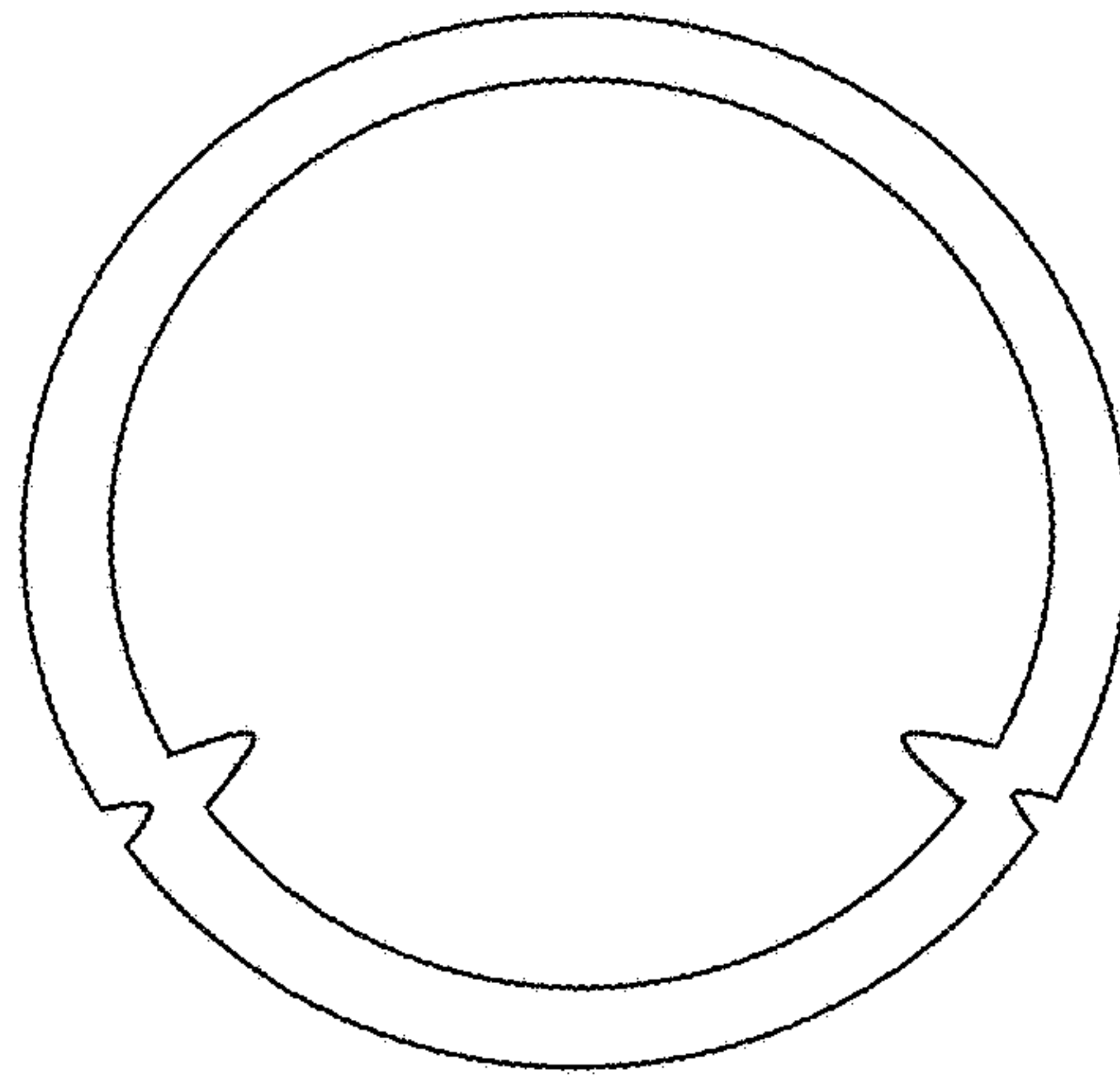


FIG. 3

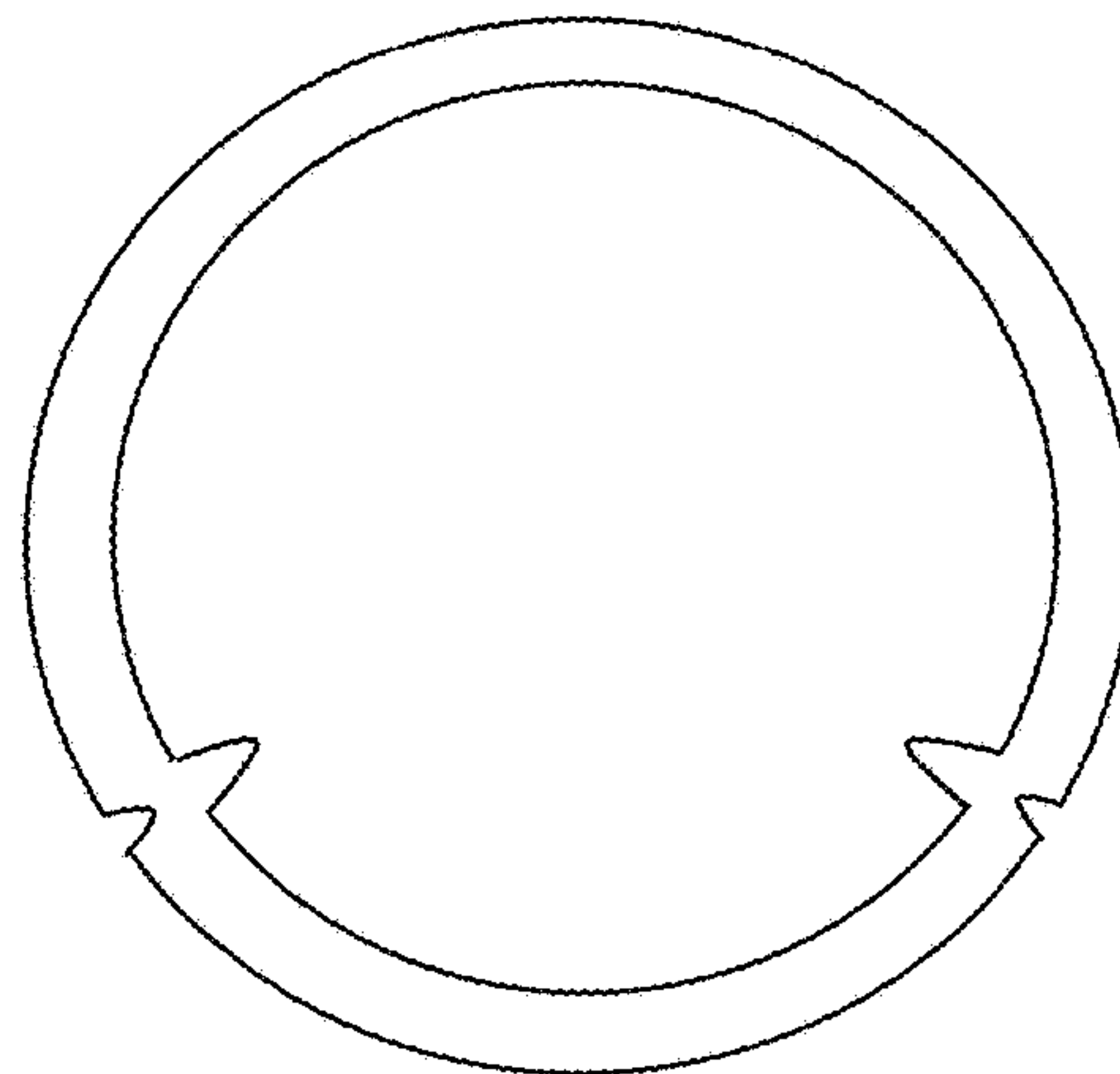


FIG. 4