



US00D853016S

(12) **United States Design Patent**  
**Chiesurin**

(10) **Patent No.:** **US D853,016 S**

(45) **Date of Patent:** **\*\* Jul. 2, 2019**

(54) **LIGHTING APPARATUS**

(71) Applicant: **DOMUS LINE S.R.L.**, Porcia (IT)

(72) Inventor: **Eliano Chiesurin**, Porcia (IT)

(73) Assignee: **DOMUS LINE S.R.L.**, Porcia (IT)

(\*\*) Term: **15 Years**

(21) Appl. No.: **29/615,085**

(22) Filed: **Aug. 25, 2017**

(30) **Foreign Application Priority Data**

Mar. 1, 2017 (EM) ..... 003778547-0001

(51) **LOC (11) Cl.** ..... **26-03**

(52) **U.S. Cl.**  
USPC ..... **D26/93**

(58) **Field of Classification Search**  
USPC ..... D26/24, 72, 93, 104, 107, 108, 111  
CPC .... F21S 6/00; F21S 6/002; F21S 6/004; F21S  
6/006; F21S 8/00; F21S 10/00; F21V  
21/02; F21W 2131/30; F21Y 2105/00  
See application file for complete search history.

(56) **References Cited**

**U.S. PATENT DOCUMENTS**

D565,228 S \* 3/2008 Lovegrove ..... D26/72  
D617,037 S \* 6/2010 Jensen ..... D26/93

D685,126 S \* 6/2013 Ogg ..... D26/93  
D803,464 S \* 11/2017 Stathis ..... D26/104  
D838,895 S \* 1/2019 Huang ..... D26/93

\* cited by examiner

*Primary Examiner* — Brian N. Vinson

(74) *Attorney, Agent, or Firm* — Oliff PLC

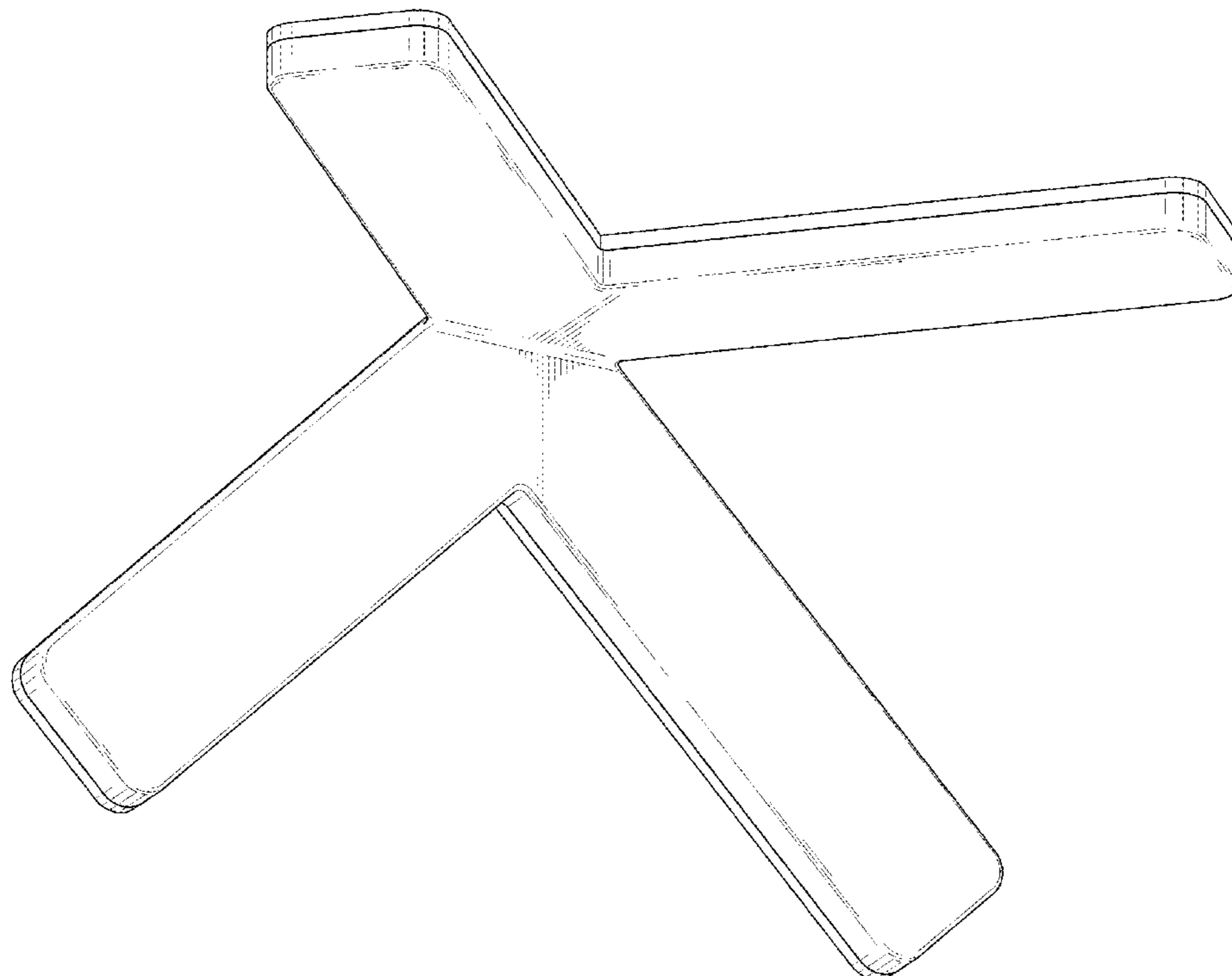
(57) **CLAIM**

The ornamental design for a lighting apparatus, as shown and described.

**DESCRIPTION**

FIG. 1 is a front, bottom, left-side perspective view of the lighting apparatus;  
FIG. 2 is a front elevational view thereof;  
FIG. 3 is a top plan view thereof;  
FIG. 4 is a right-side elevational view thereof, the left-side elevational view (not provided) being a mirror image thereof;  
FIG. 5 is a rear elevational view thereof;  
FIG. 6 is a bottom plan view thereof; and,  
FIG. 7 is a front, bottom perspective view thereof.  
The broken lines depict unclaimed parts of the lighting apparatus, and thus form no part of the claimed design.

**1 Claim, 7 Drawing Sheets**



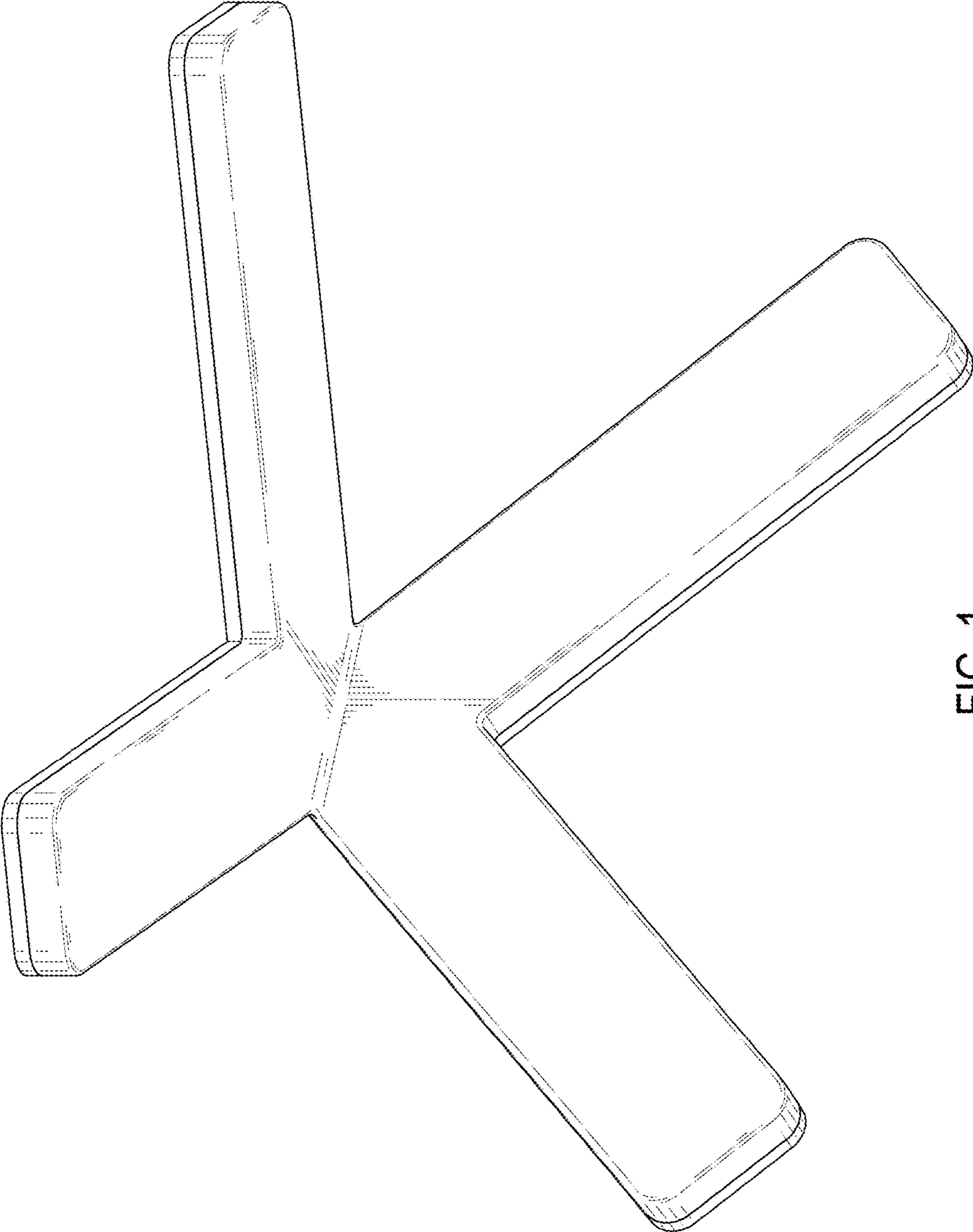


FIG. 1

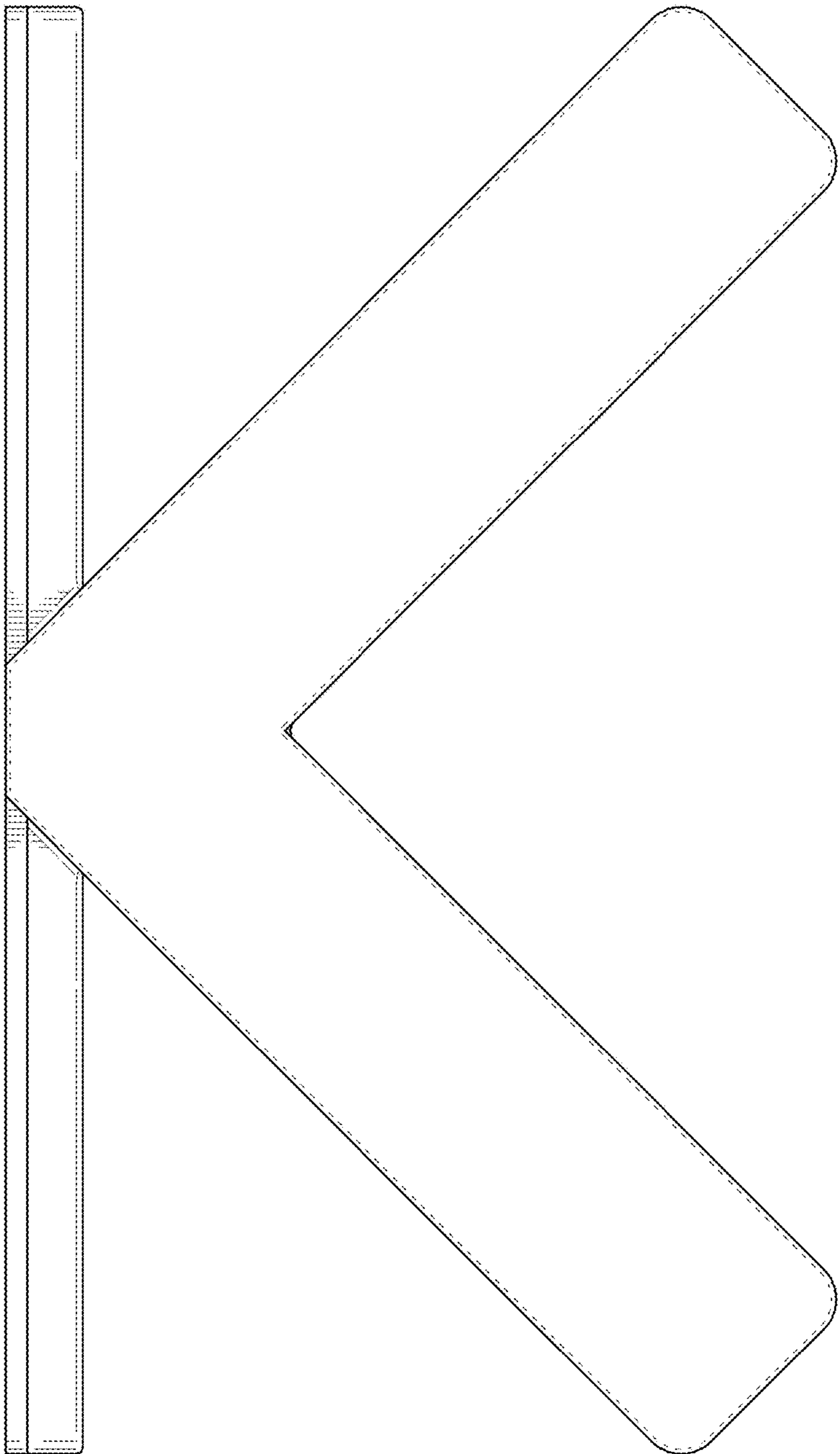


FIG. 2

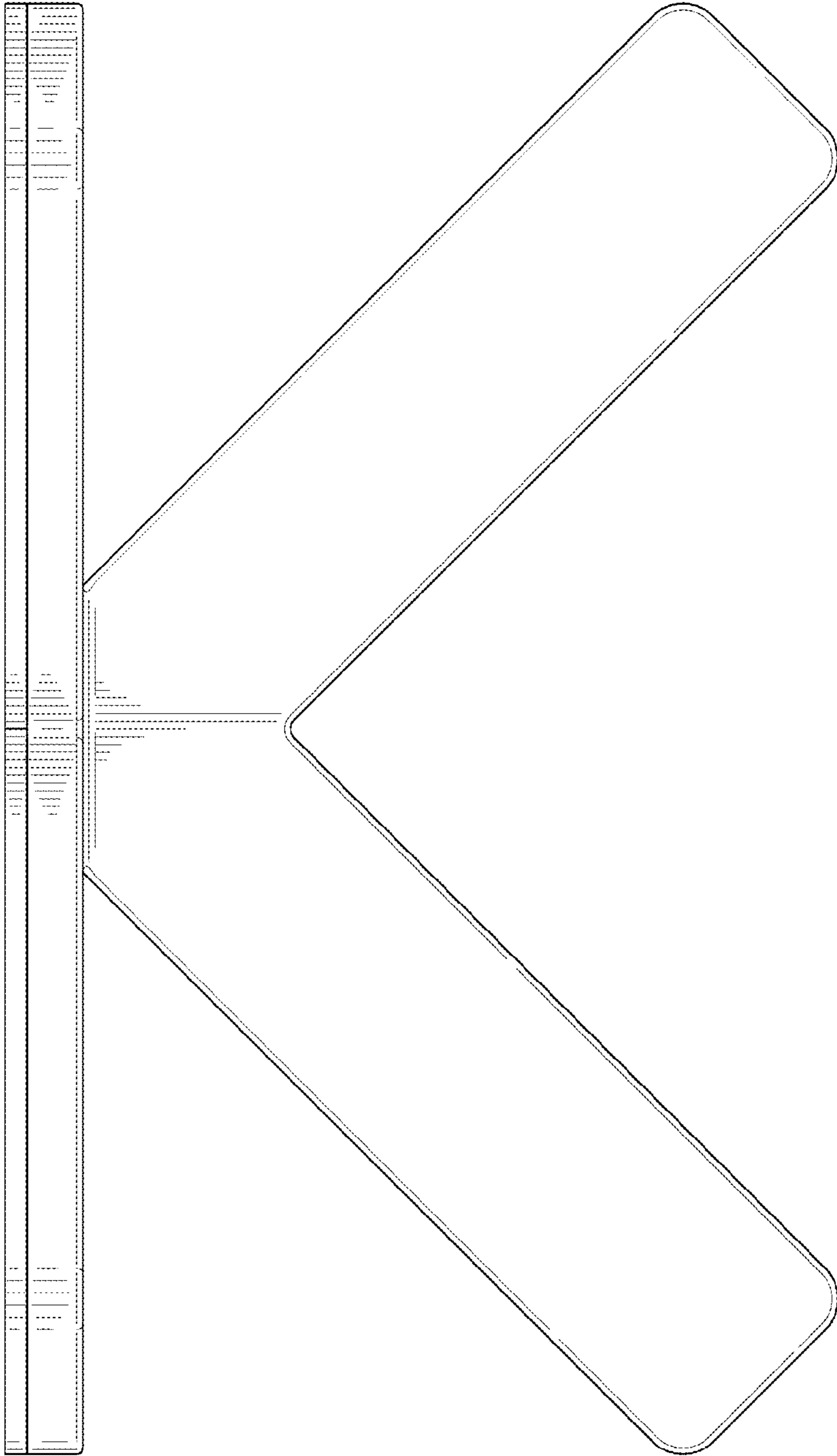


FIG. 3

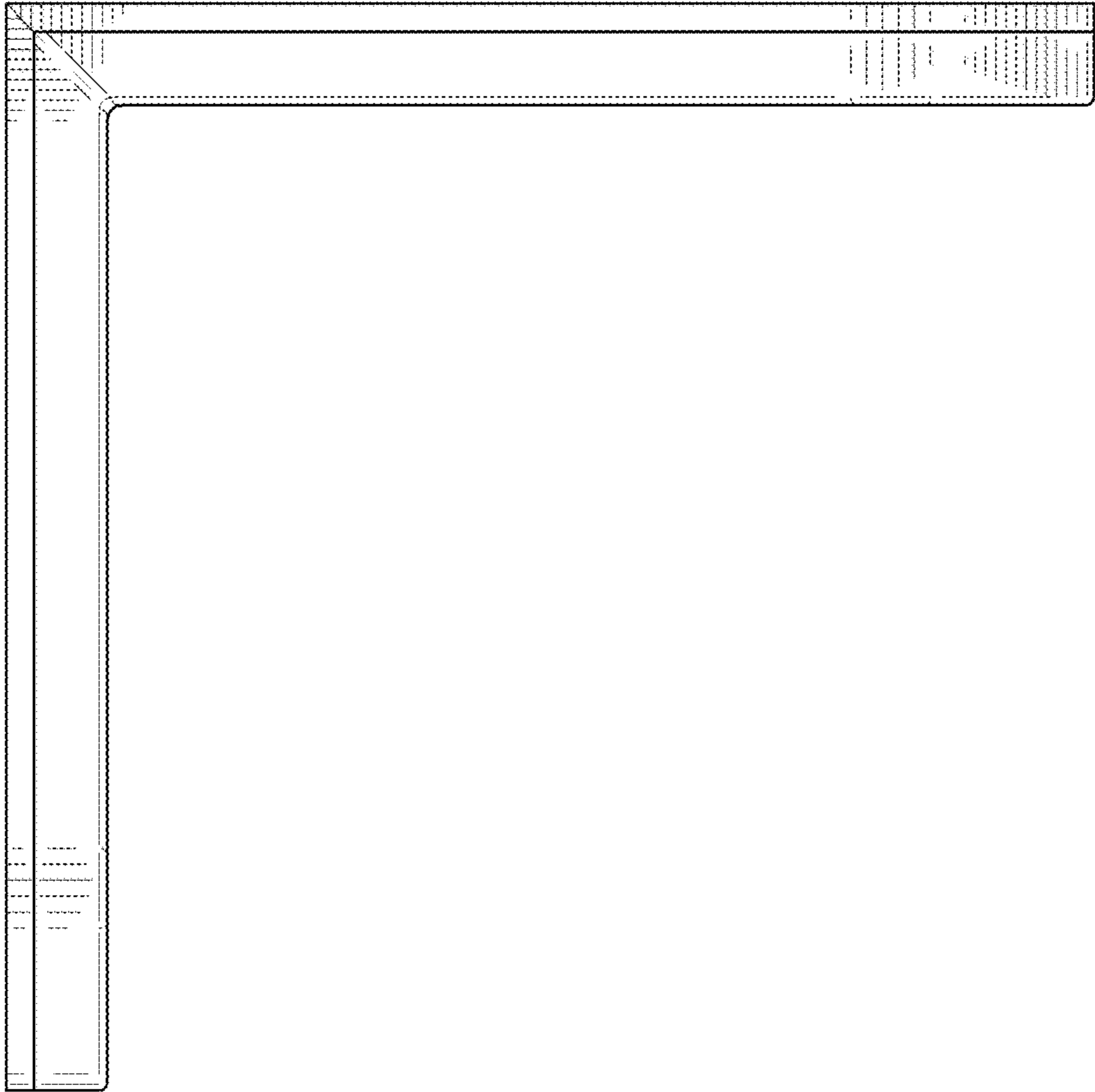


FIG. 4

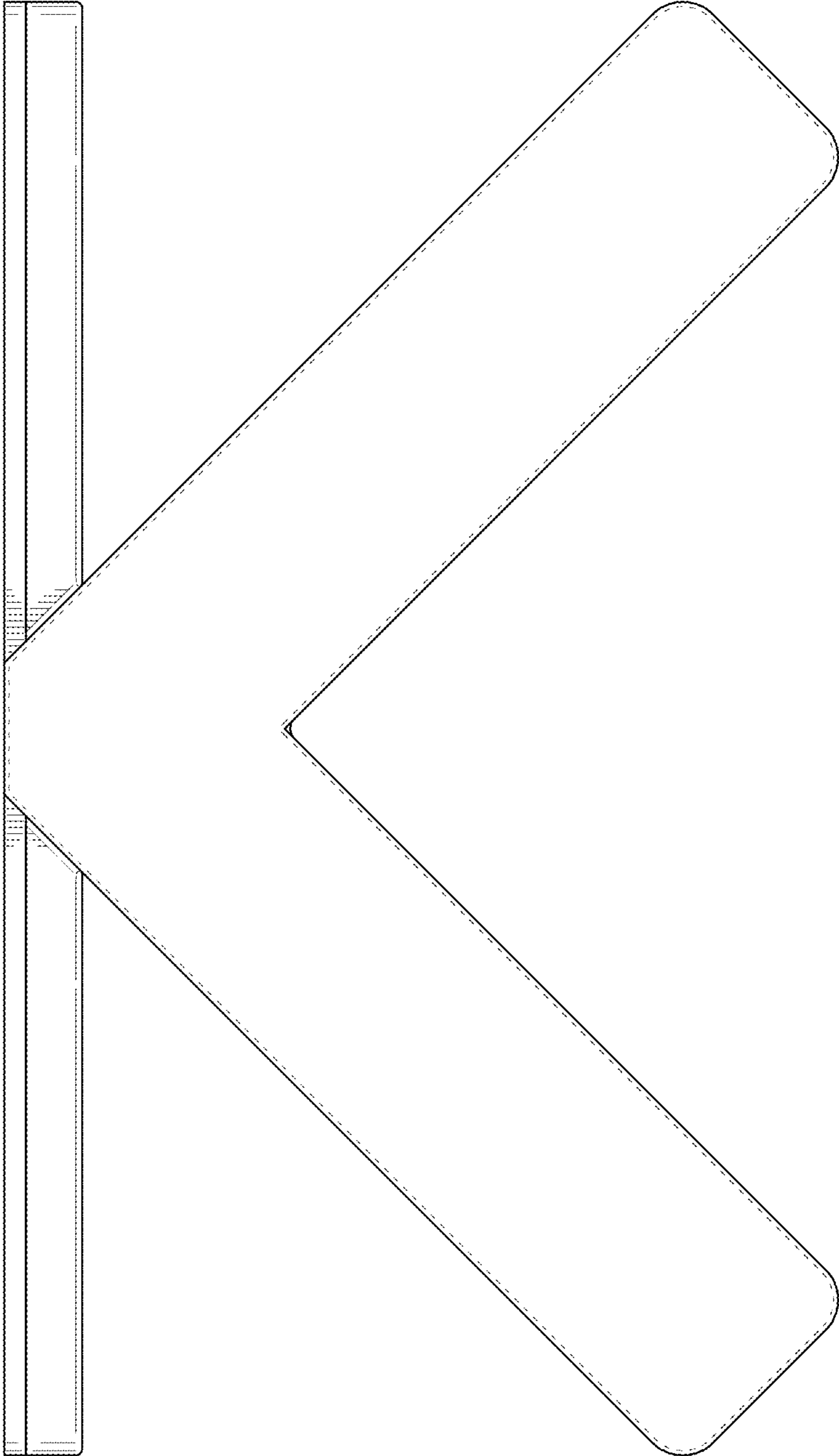


FIG. 5

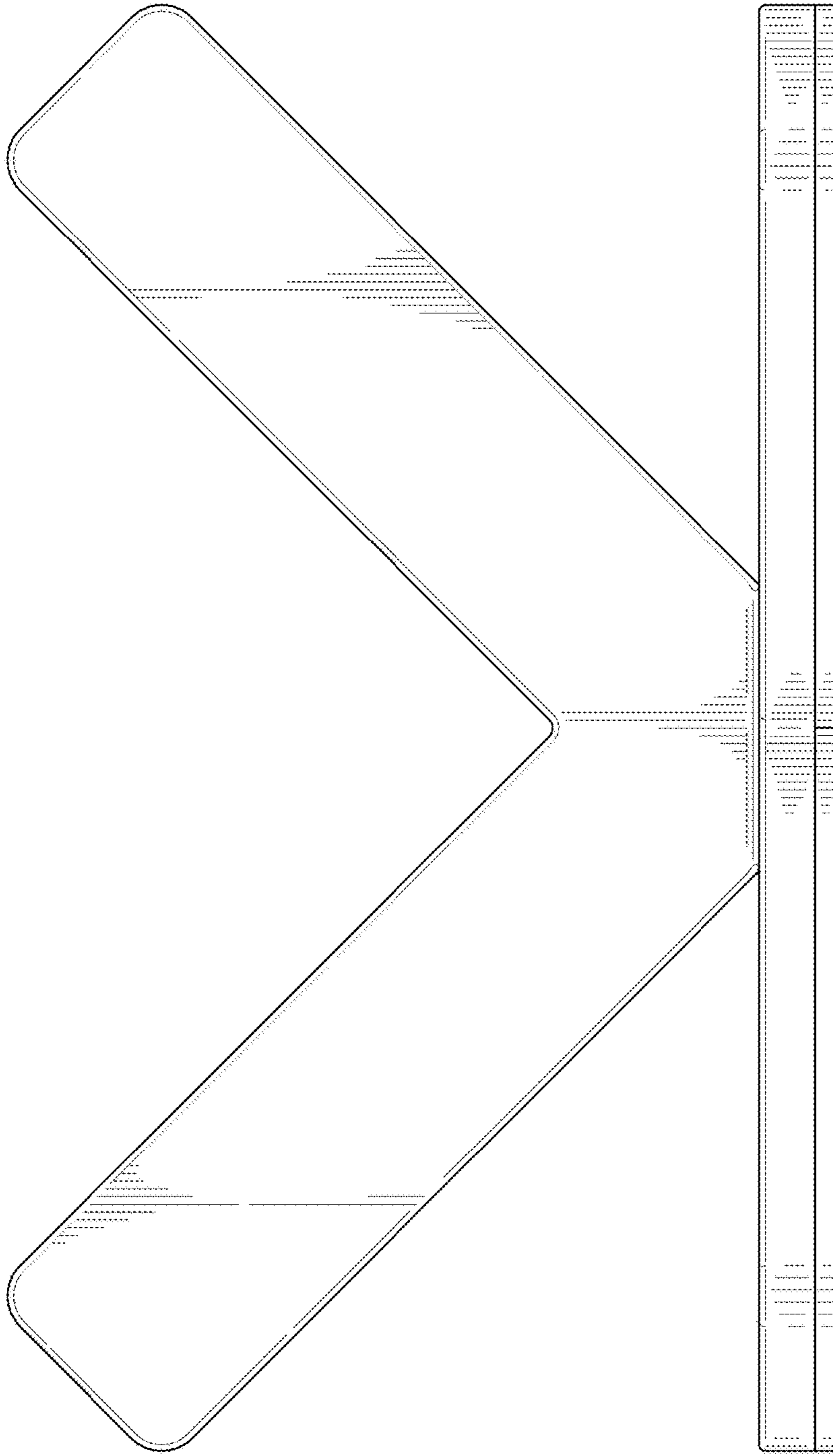


FIG. 6

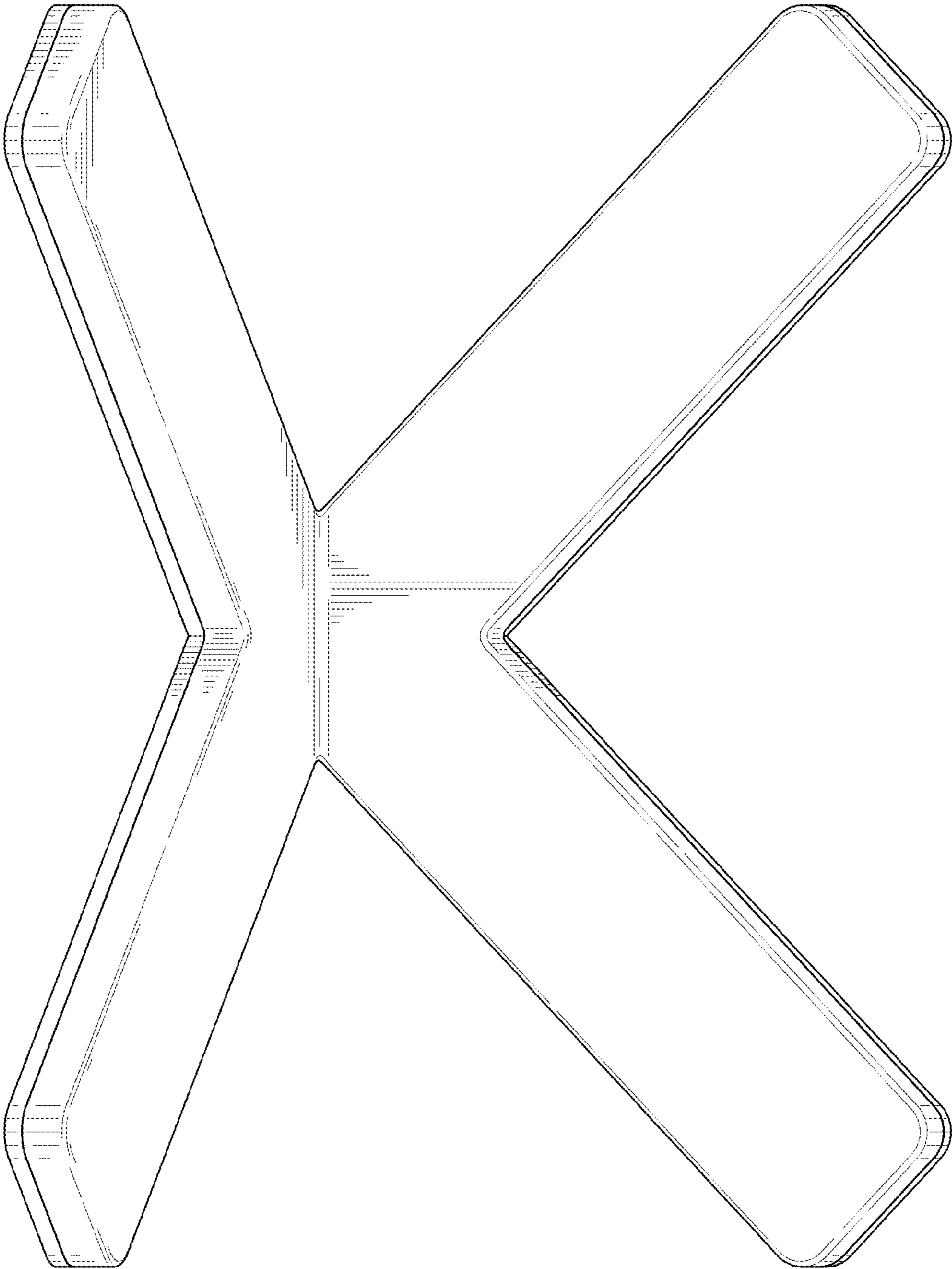


FIG. 7