



US00D853014S

(12) **United States Design Patent**
Pan

(10) **Patent No.:** **US D853,014 S**

(45) **Date of Patent:** **** Jul. 2, 2019**

(54) **WALL LAMP**

(71) Applicant: **SHENZHEN SNC OPTO ELECTRONIC CO., LTD**, Shenzhen (CN)

(72) Inventor: **Nianhua Pan**, Shenzhen (CN)

(73) Assignee: **SHENZHEN SNC OPTO ELECTRONIC CO., LTD**, Shenzhen (CN)

(**) Term: **15 Years**

(21) Appl. No.: **29/633,069**

(22) Filed: **Jan. 12, 2018**

(51) **LOC (11) Cl.** **26-03**

(52) **U.S. Cl.**
USPC **D26/85; D26/63**

(58) **Field of Classification Search**
USPC D26/26, 63, 67-72, 76, 80, 81, 85-88, D26/92, 154
CPC F21S 8/006; F21S 8/08; F21S 8/081; F21S 8/083; F21S 8/088; F21S 8/03; F21S 8/032; F21S 8/033; F21S 8/035; F21S 8/036; F21S 8/037; F21S 9/03; F21S 9/032; F21S 9/035; F21S 9/037; F21W 2131/109; F21V 3/02; F21V 29/74; F21V 29/76; F21V 29/763; F21V 29/767; F21V 29/77; F21V 29/2212

See application file for complete search history.

(56) **References Cited**

U.S. PATENT DOCUMENTS

D782,720 S * 3/2017 Moghal D26/67
D796,719 S * 9/2017 Zhu D26/63

D823,515 S * 7/2018 Guo D26/63
D825,091 S * 8/2018 Carraher D26/85
D838,399 S * 1/2019 Wei D26/80
D838,400 S * 1/2019 Wei D26/80
D842,526 S * 3/2019 Zhuo D26/85
2013/0027935 A1* 1/2013 Ladewig F21S 2/00
362/249.01
2013/0250556 A1* 9/2013 Gordin F21S 8/088
362/147
2015/0292723 A1* 10/2015 Yu F21V 29/76
362/147

* cited by examiner

Primary Examiner — Cathron C Brooks

(57) **CLAIM**

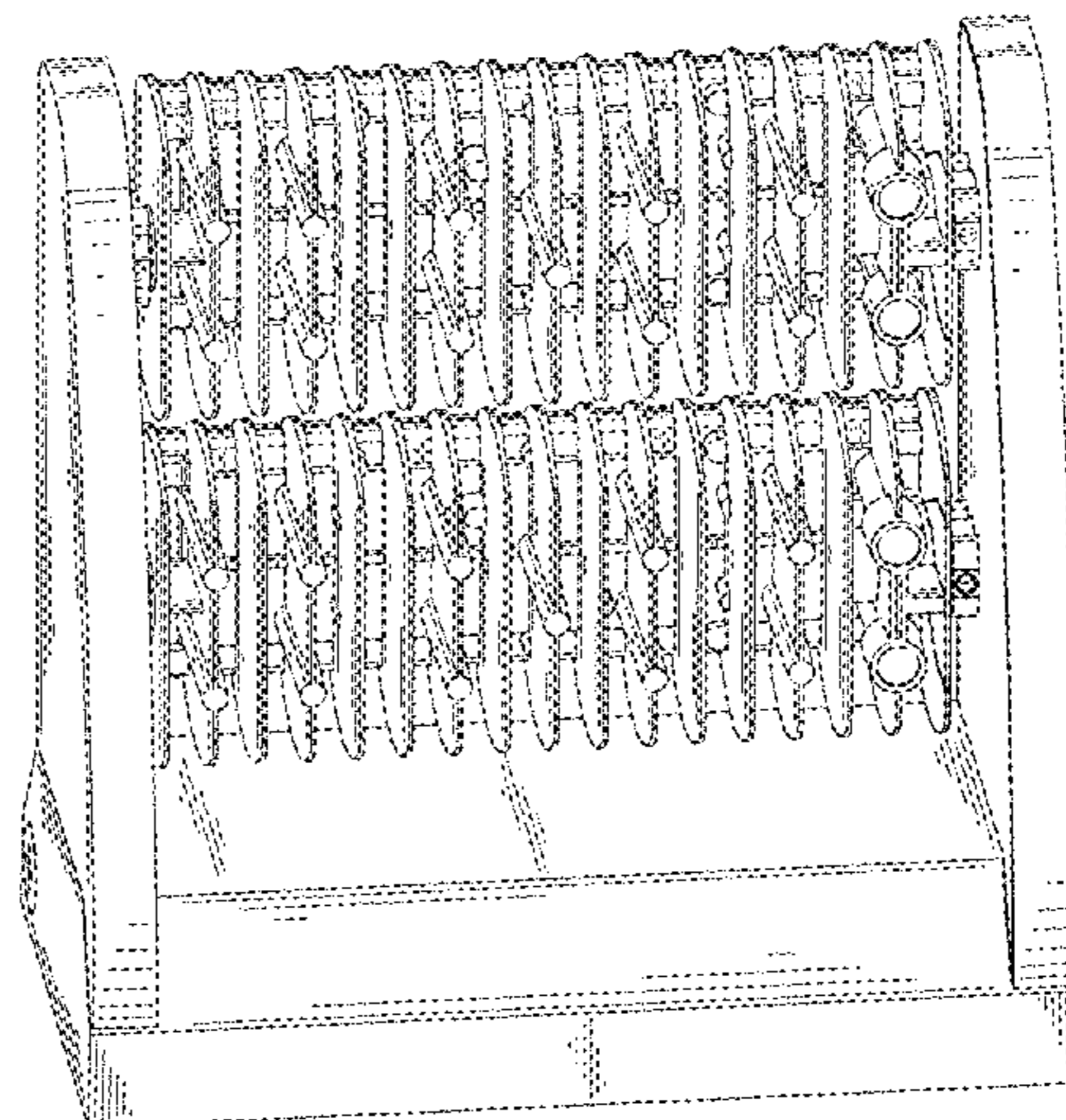
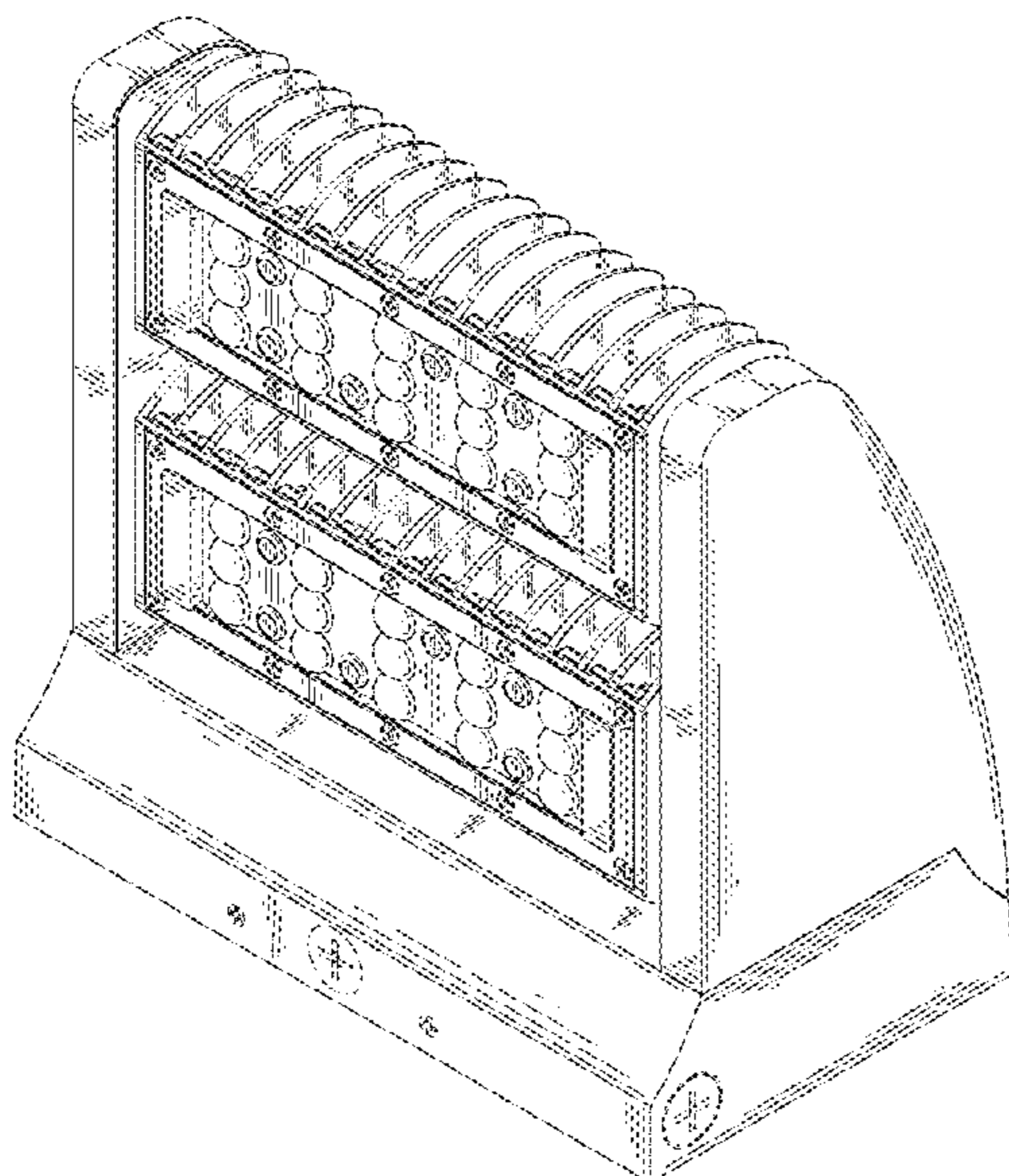
The ornamental design for a wall lamp, as shown and described.

DESCRIPTION

FIG. 1 is a front right perspective view of the wall lamp showing my new design, and shown in a first state of use; FIG. 2 is a rear perspective view thereof; FIG. 3 is a bottom left perspective view thereof; FIG. 4 is a front elevational view thereof; FIG. 5 is a rear elevational view thereof; FIG. 6 is a left side elevational view thereof; FIG. 7 is a right side elevational view thereof; FIG. 8 is a top plan view thereof; FIG. 9 is a bottom plan view thereof; and, FIG. 10 is another front right perspective view thereof, but shown in a second state of use.

The broken lines are for the purposes of illustrating portions of the wall lamp and form no part of the claimed design.

1 Claim, 10 Drawing Sheets



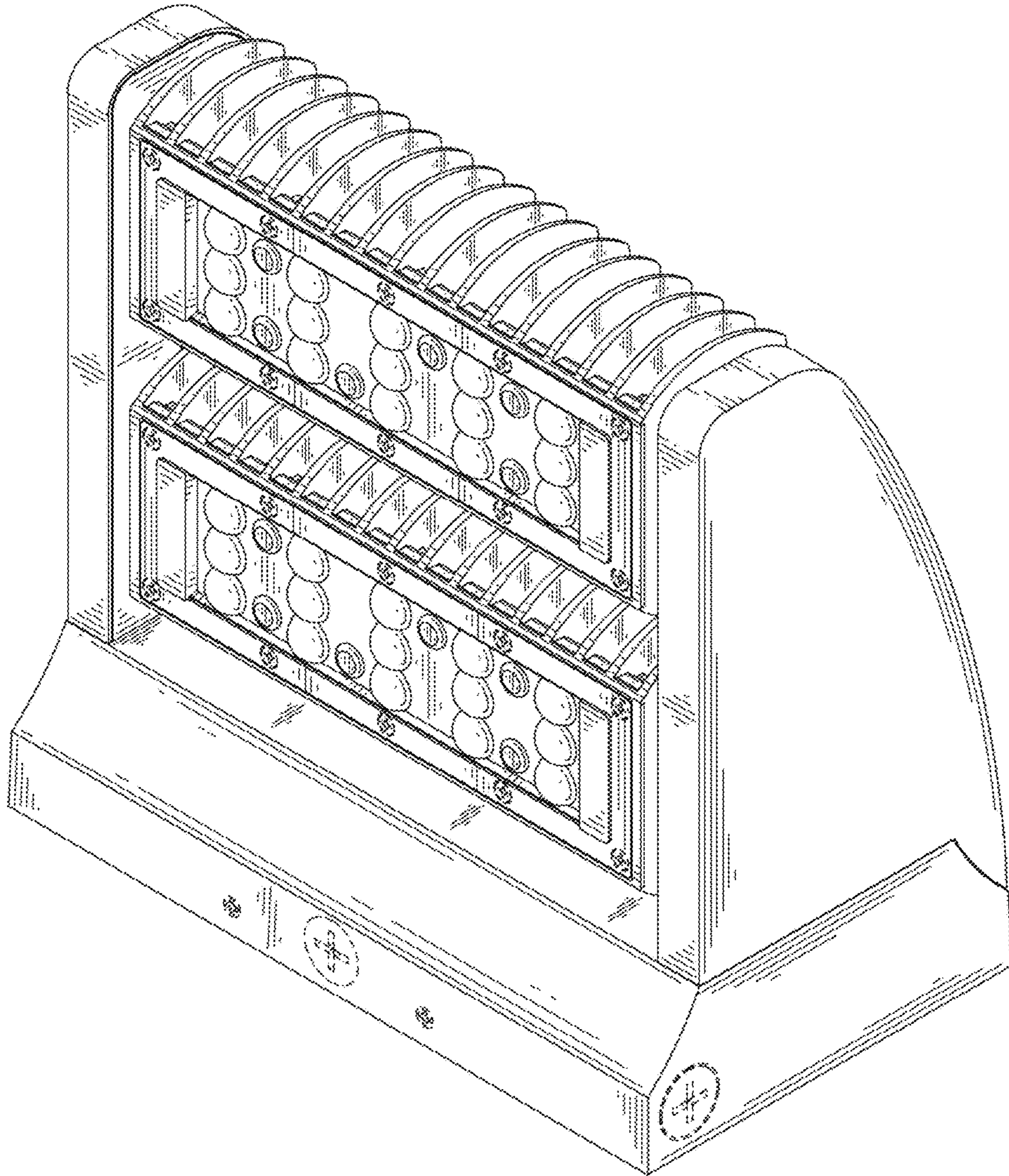


FIG. 1

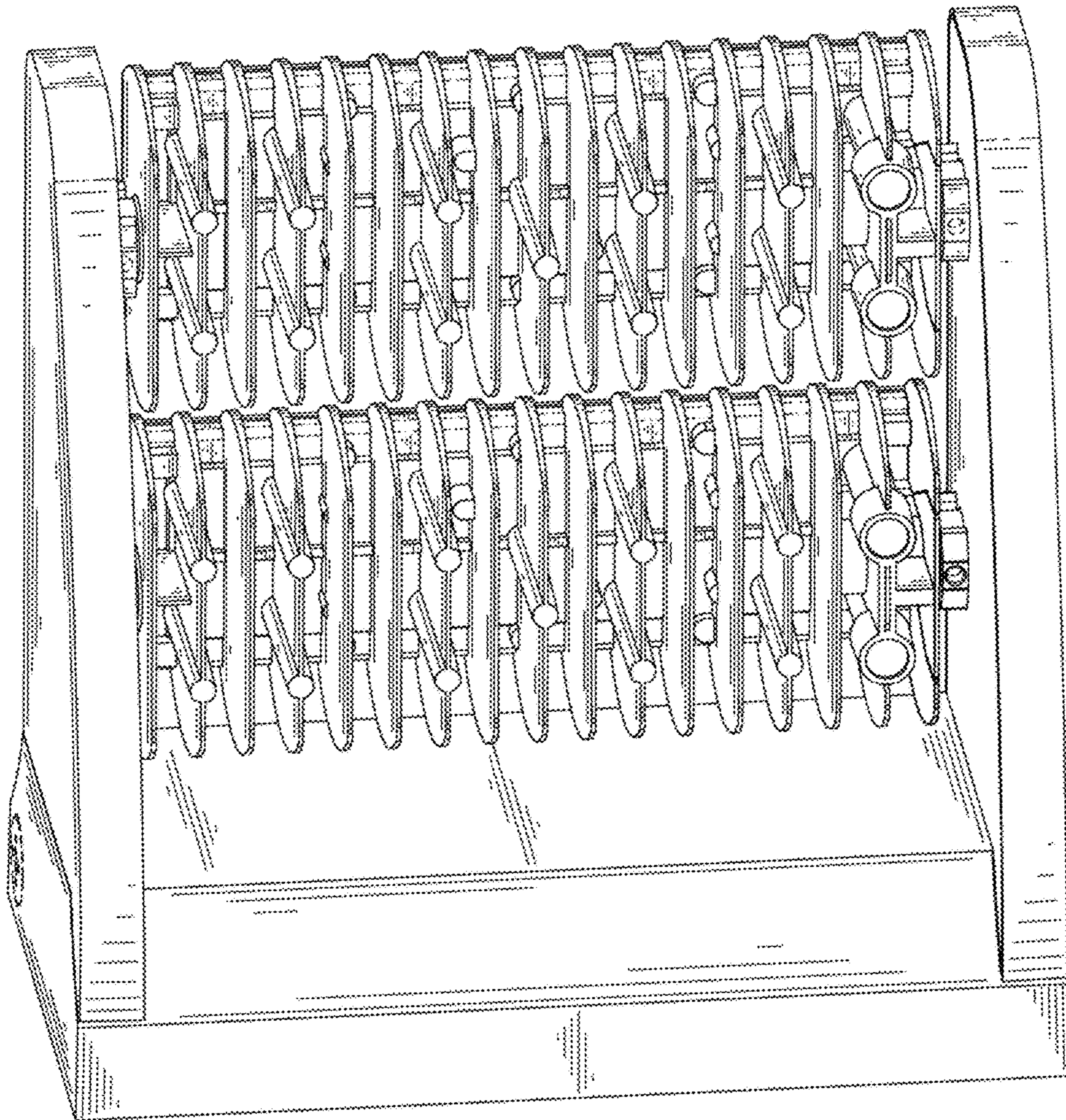


FIG. 2

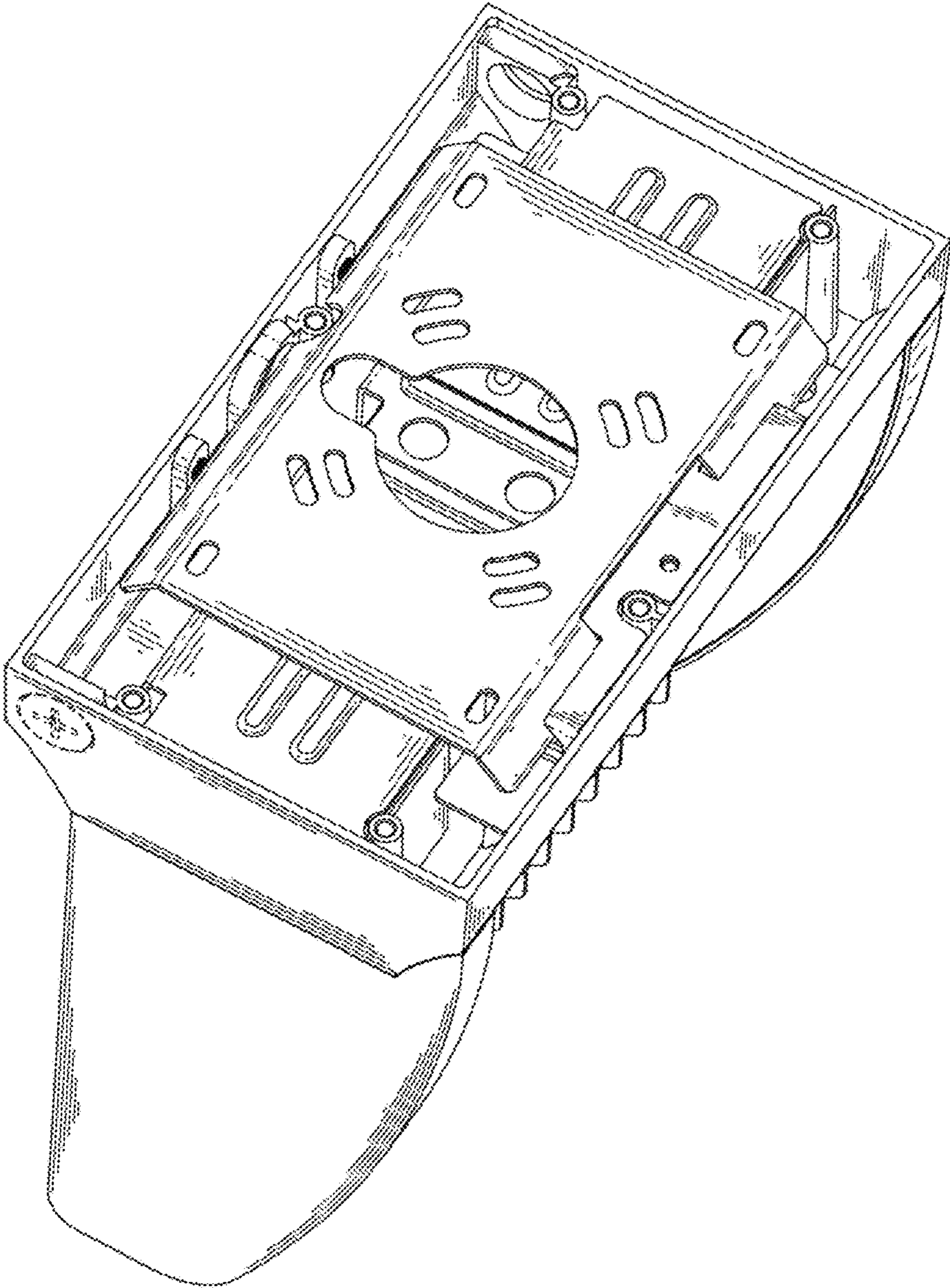


FIG. 3

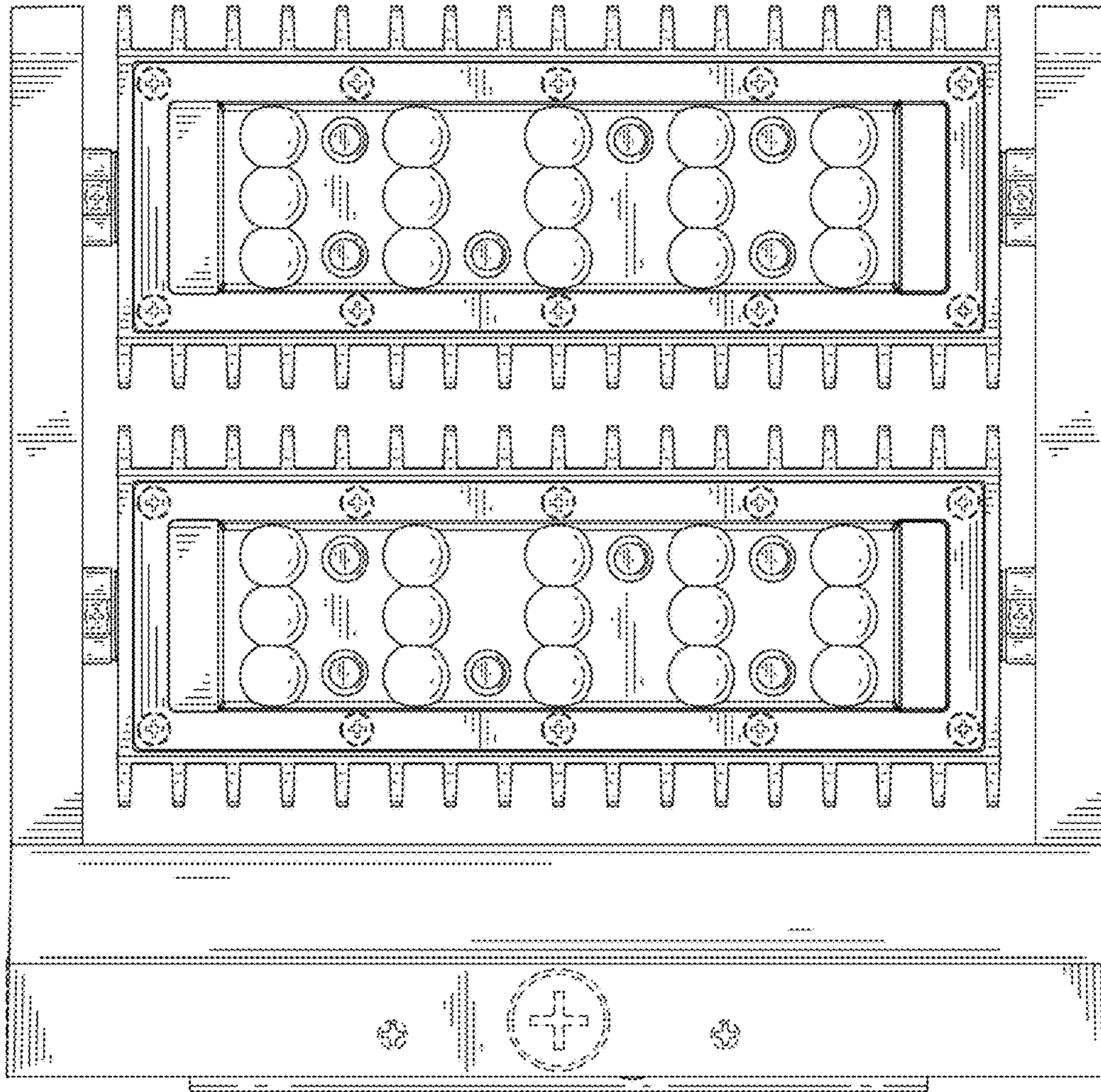


FIG. 4

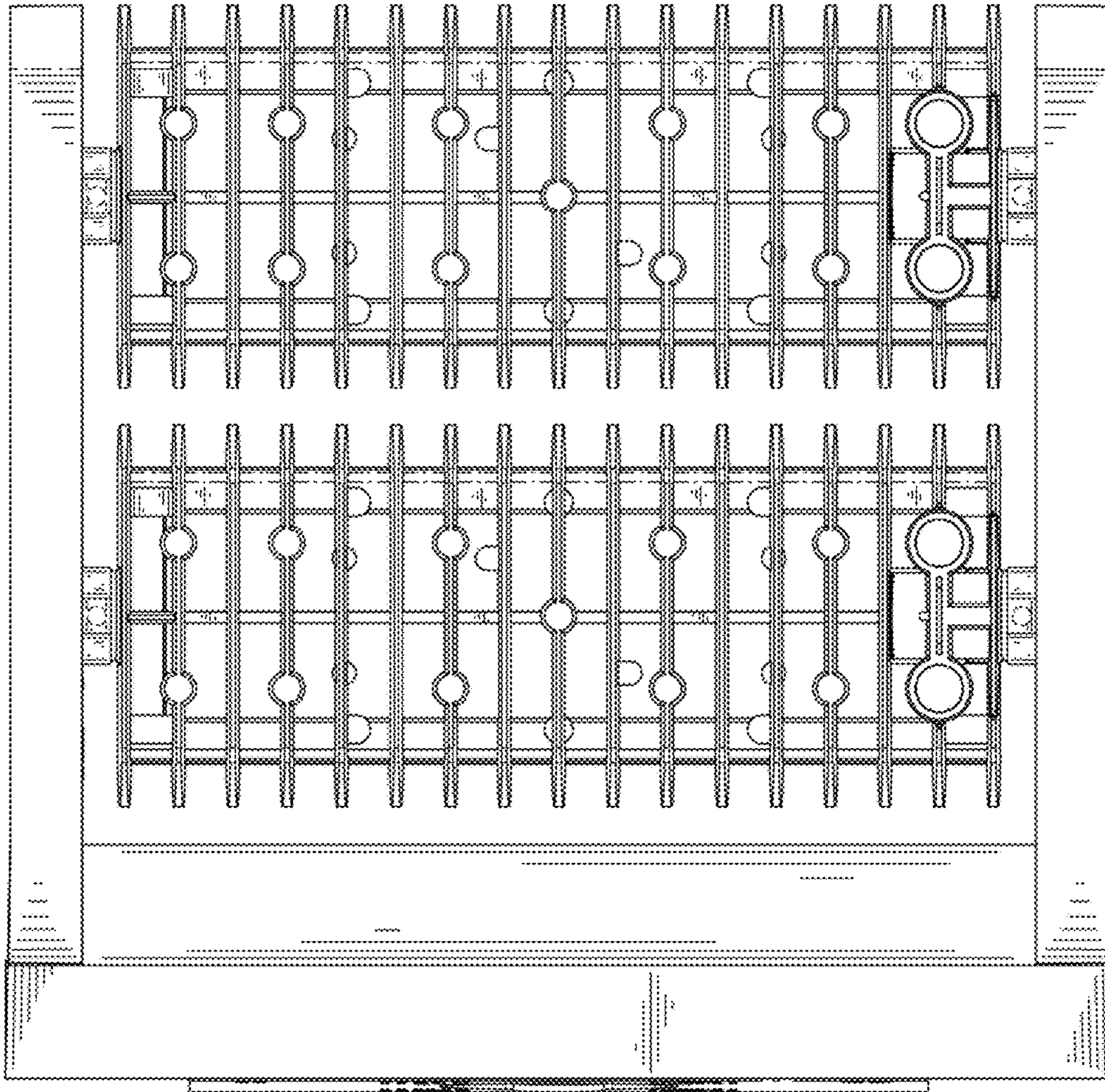


FIG. 5

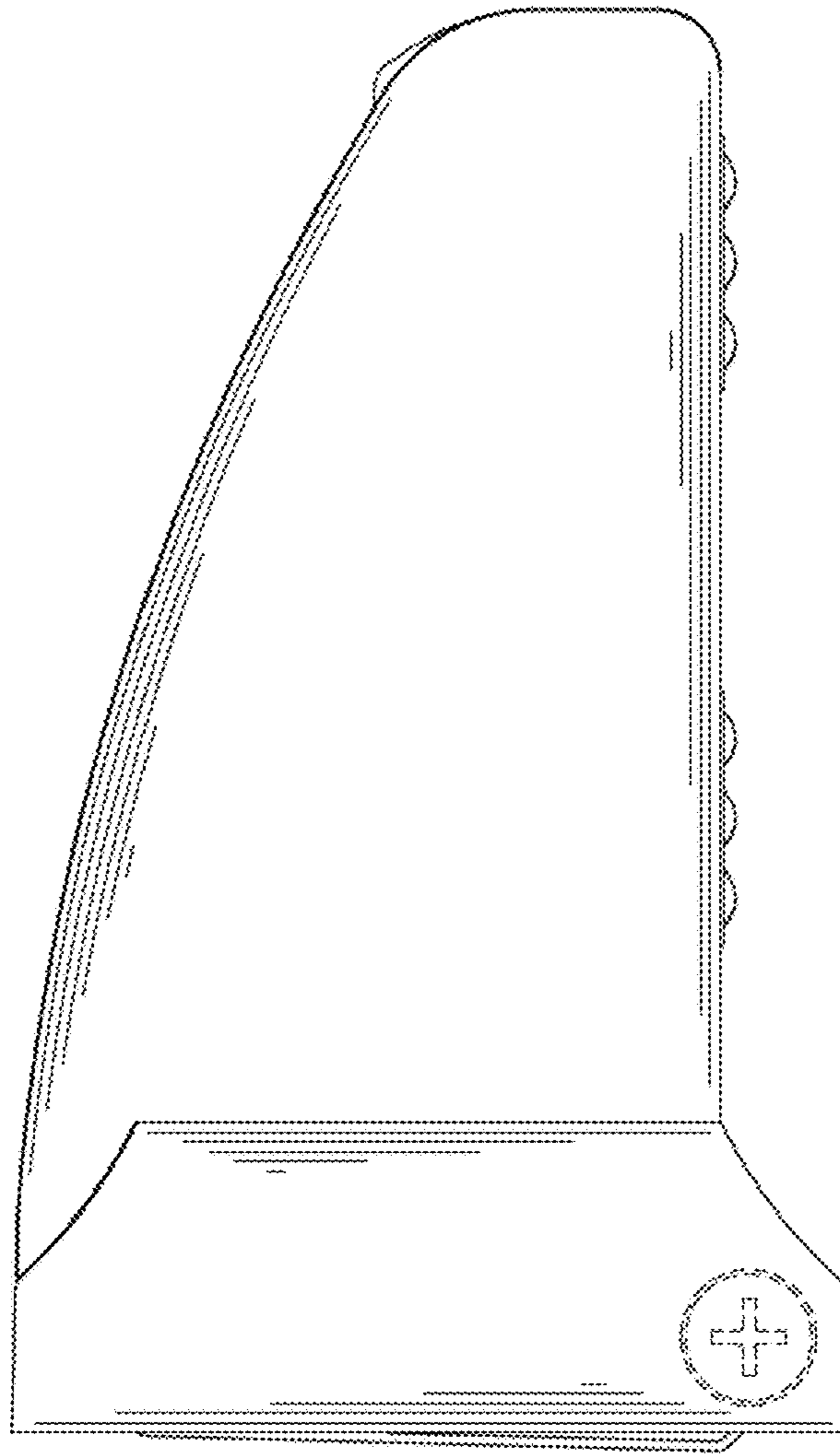


FIG. 6

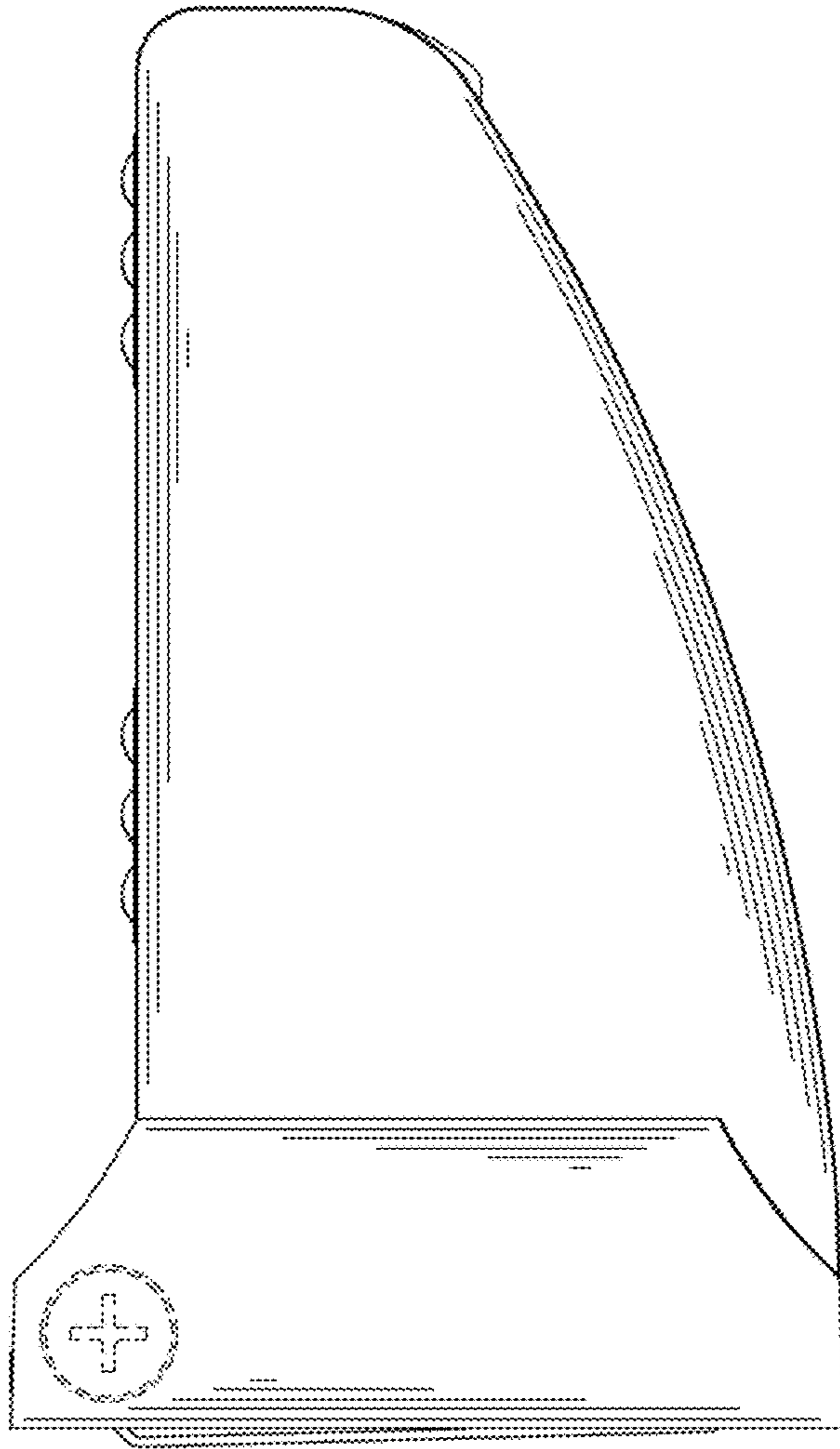


FIG. 7

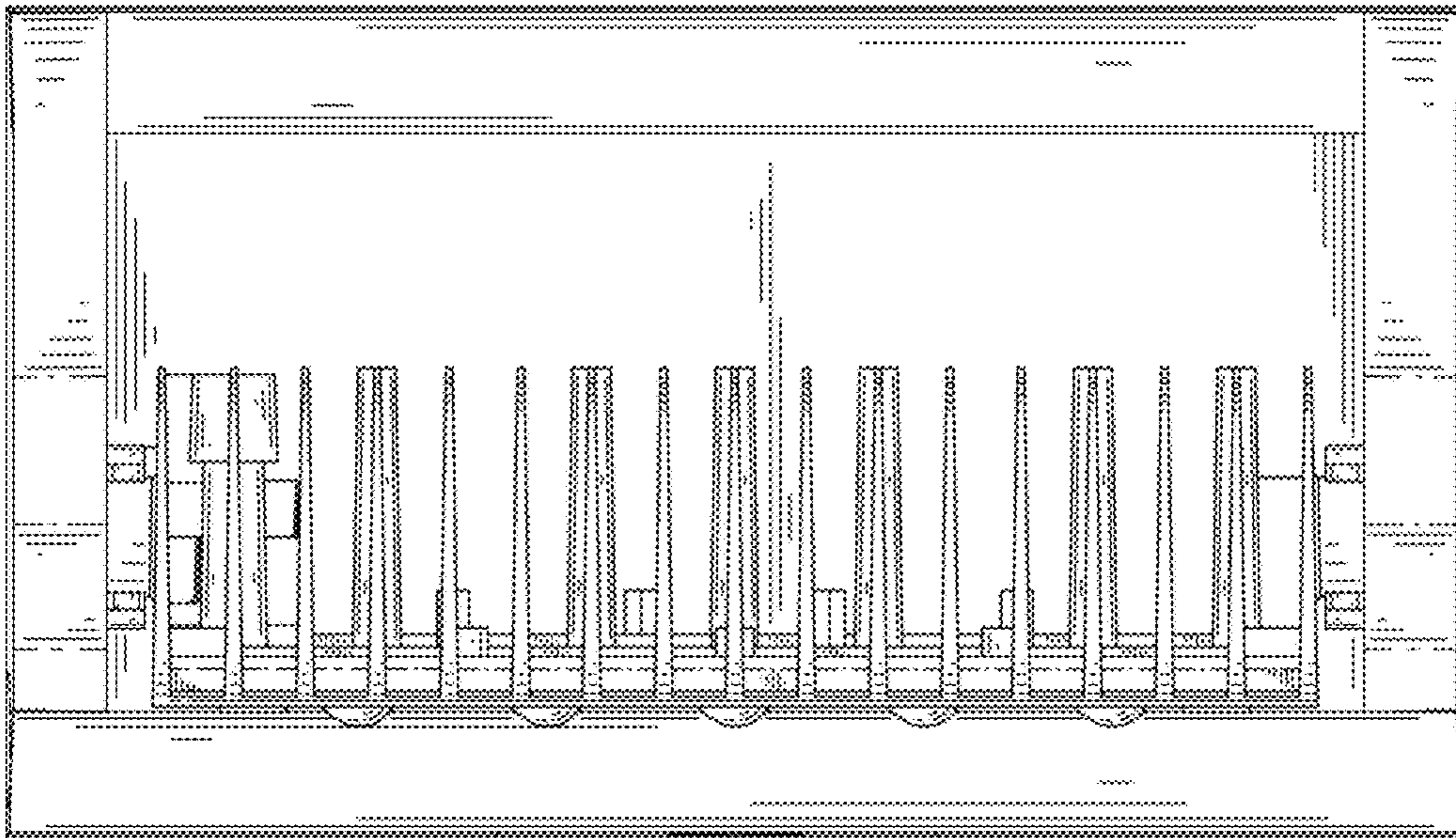


FIG. 8

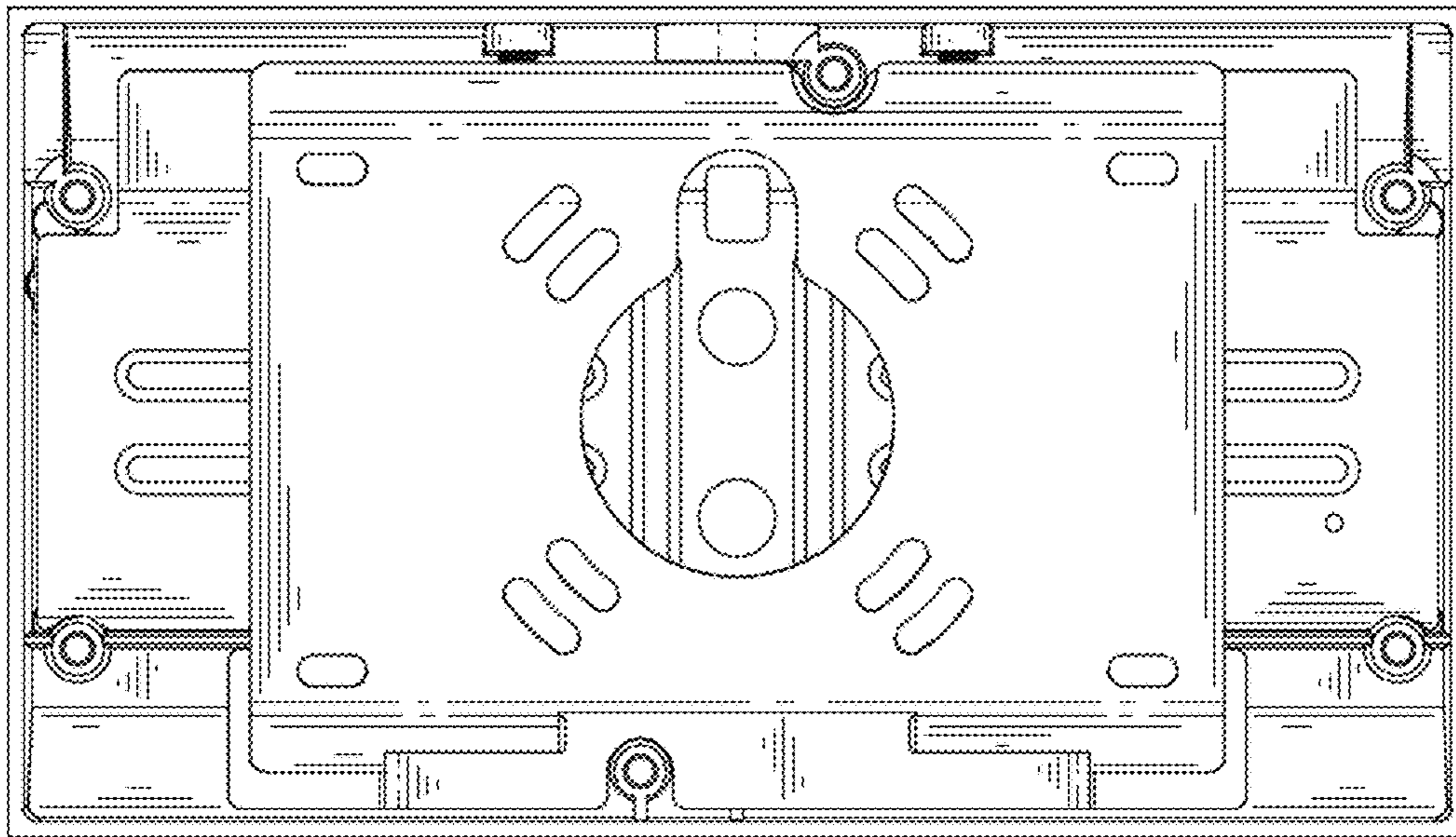


FIG. 9

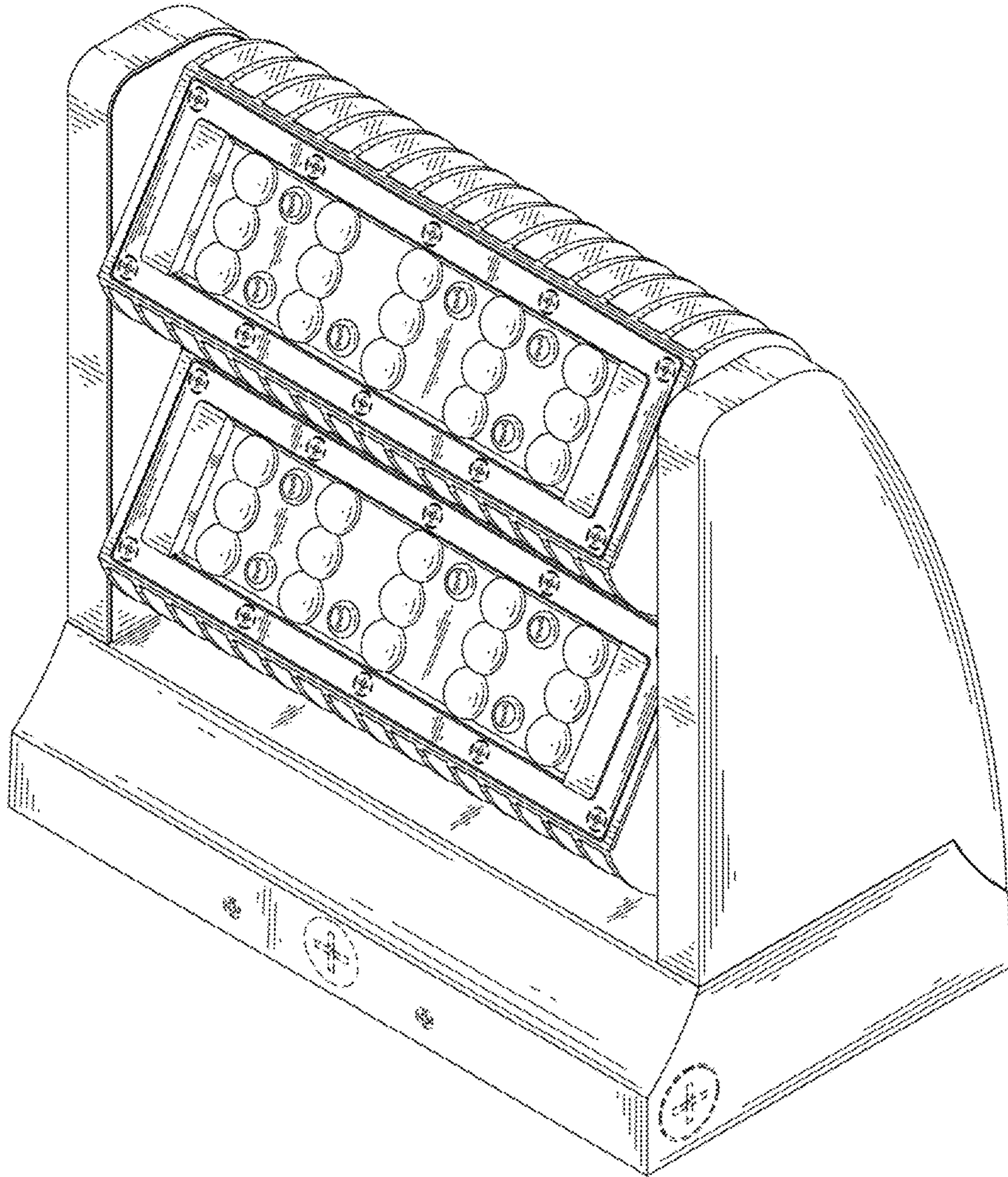


FIG. 10