



US00D853012S

(12) **United States Design Patent**
Zhou et al.

(10) **Patent No.:** **US D853,012 S**

(45) **Date of Patent:** **** Jul. 2, 2019**

(54) **LED LIGHT**

(71) Applicant: **XIAMEN GUANGPU ELECTRONICS CO., LTD.**, Xiamen (CN)

(72) Inventors: **Yaowei Zhou**, Xiamen (CN); **Zhifu Xie**, Xiamen (CN)

(**) Term: **15 Years**

(21) Appl. No.: **29/634,341**

(22) Filed: **Jan. 19, 2018**

(51) **LOC (11) Cl.** **26-04**

(52) **U.S. Cl.**
USPC **D26/76**

(58) **Field of Classification Search**
USPC D26/76, 78, 79, 80, 81, 82, 83, 85, 86, D26/88, 90, 93, 111, 113, 118, 119, 120, D26/121, 122, 138, 139, 140, 141, 142, D26/152

CPC F21S 2/00; F21S 4/00; F21S 4/003; F21S 4/005; F21S 4/006; F21S 4/007; F21S 4/008; F21S 6/00; F21S 8/00; F21S 8/024; F21S 8/026; F21S 8/031; F21S 8/033; F21S 8/035-037; F21S 8/04; F21S 8/043; F21S 8/063

See application file for complete search history.

(56) **References Cited**

U.S. PATENT DOCUMENTS

D202,648 S * 10/1965 Meyer et al. D26/78
D364,478 S * 11/1995 Pesau D26/76
D521,675 S * 5/2006 Chen D26/76

D616,138 S * 5/2010 Lasthein D26/76
D641,910 S * 7/2011 Kong D26/76
D655,442 S * 3/2012 Sabernig D26/88
D679,445 S * 4/2013 Kong D26/122
D693,045 S * 11/2013 Kirschhoffer D26/88
D704,878 S * 5/2014 Wilson D26/76
D738,033 S * 9/2015 Wilcox D26/120
D738,034 S * 9/2015 Wilcox D26/120
D743,090 S * 11/2015 Wilcox D26/120
D757,324 S * 5/2016 Rodgers D26/76
D757,348 S * 5/2016 Wilcox D26/120
D757,349 S * 5/2016 Wilcox D26/120
D803,455 S * 11/2017 Blessitt D26/76

* cited by examiner

Primary Examiner — George D. Kirschbaum

Assistant Examiner — Natasha Vujcic

(74) *Attorney, Agent, or Firm* — W&K IP

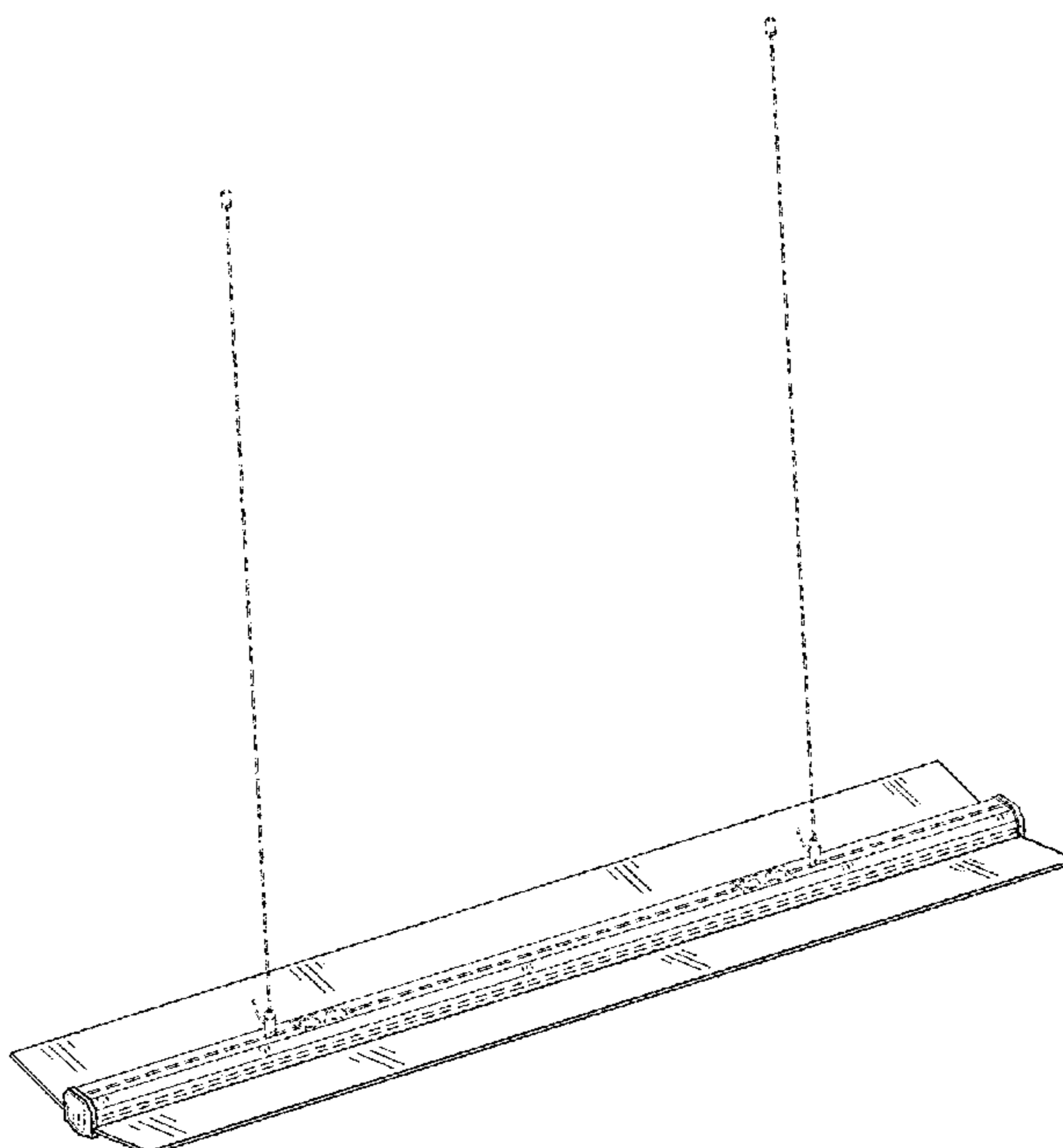
(57) **CLAIM**

The ornamental design for a LED light, as shown and described.

DESCRIPTION

FIG. 1 is a perspective view of a LED light;
FIG. 2 is a front view thereof;
FIG. 3 is a back view thereof;
FIG. 4 is a left side view thereof;
FIG. 5 is a right side view thereof;
FIG. 6 is a top plan view thereof; and,
FIG. 7 is a bottom plan view thereof.
The broken lines in the figures are for the purpose of illustrating portions of the LED light and form no part of the claim.

1 Claim, 7 Drawing Sheets



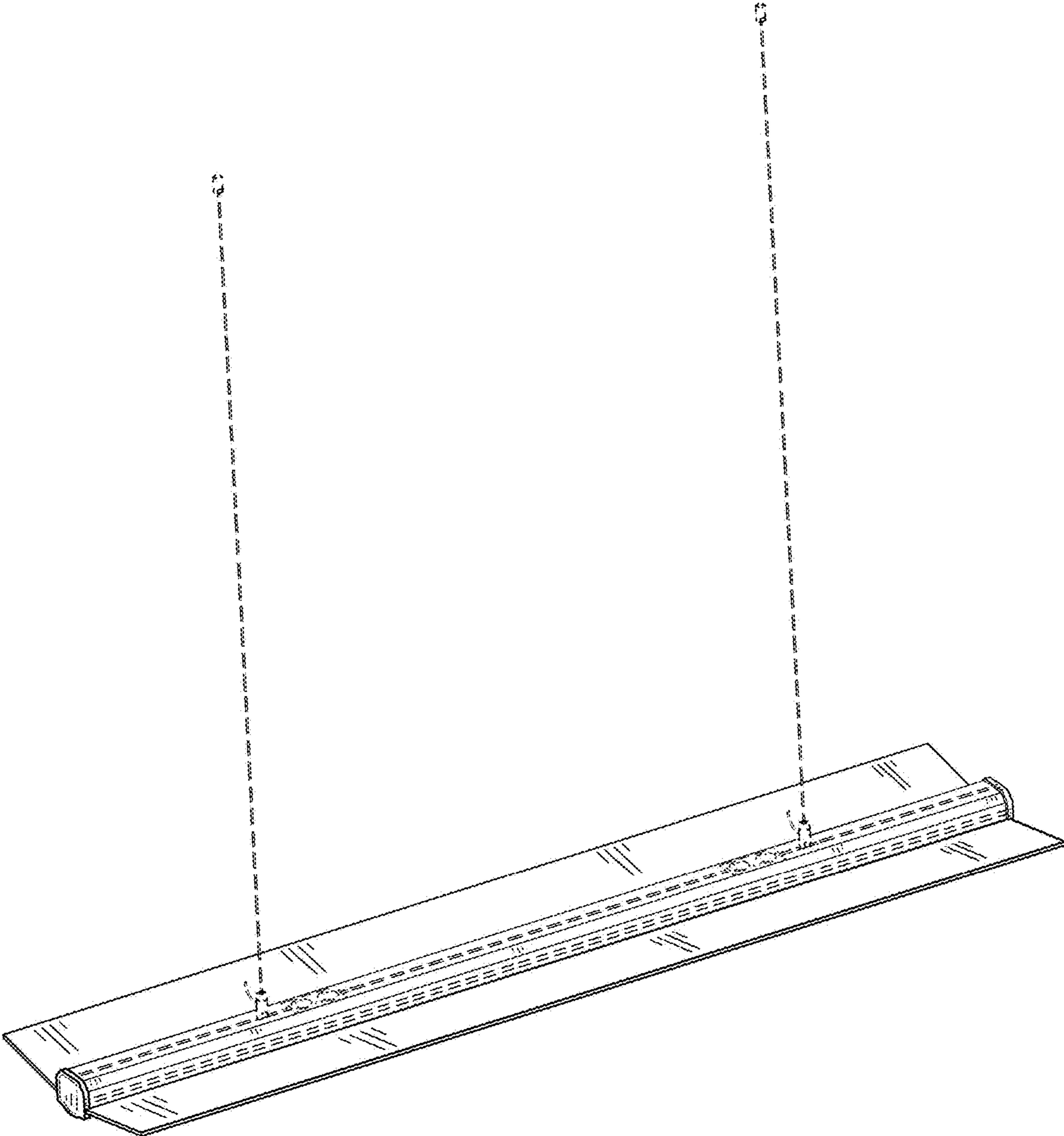


FIG. 1

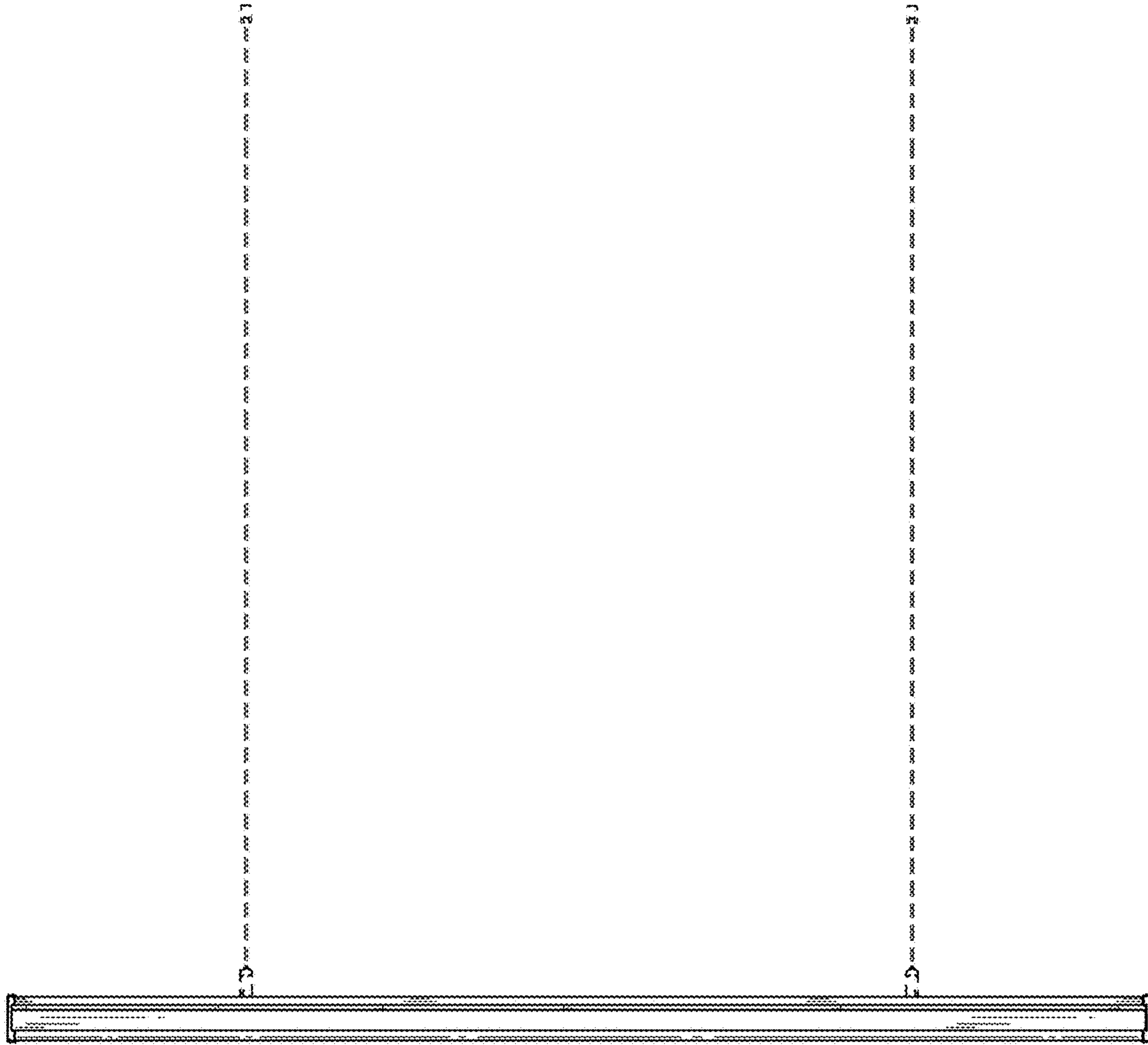


FIG. 2

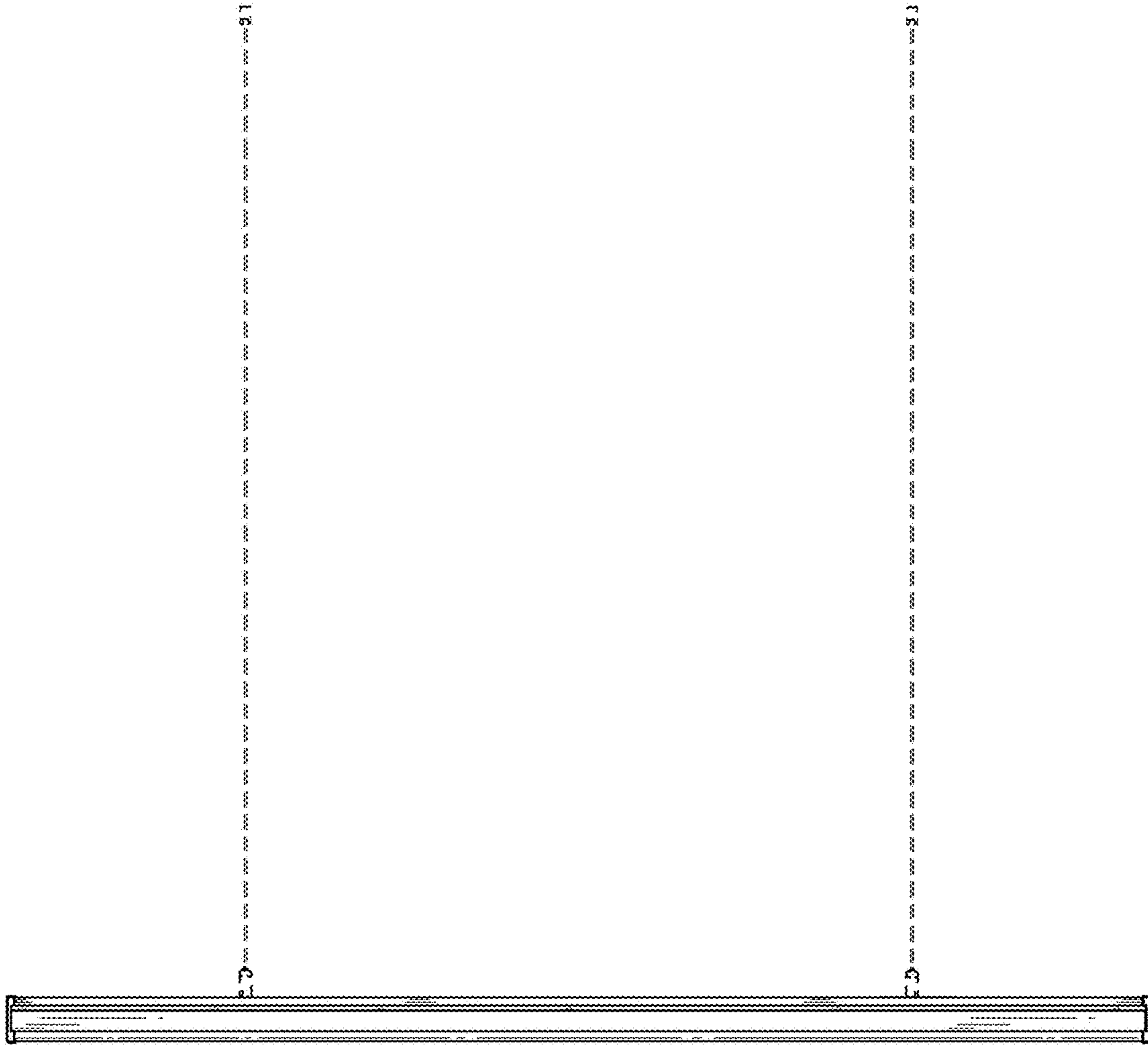


FIG. 3

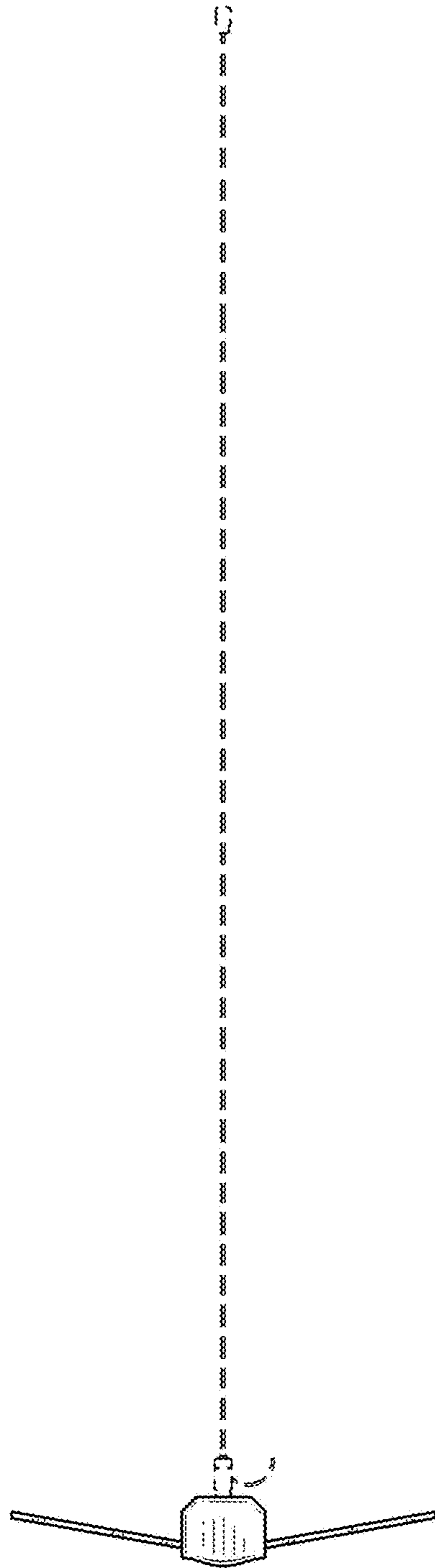


FIG. 4

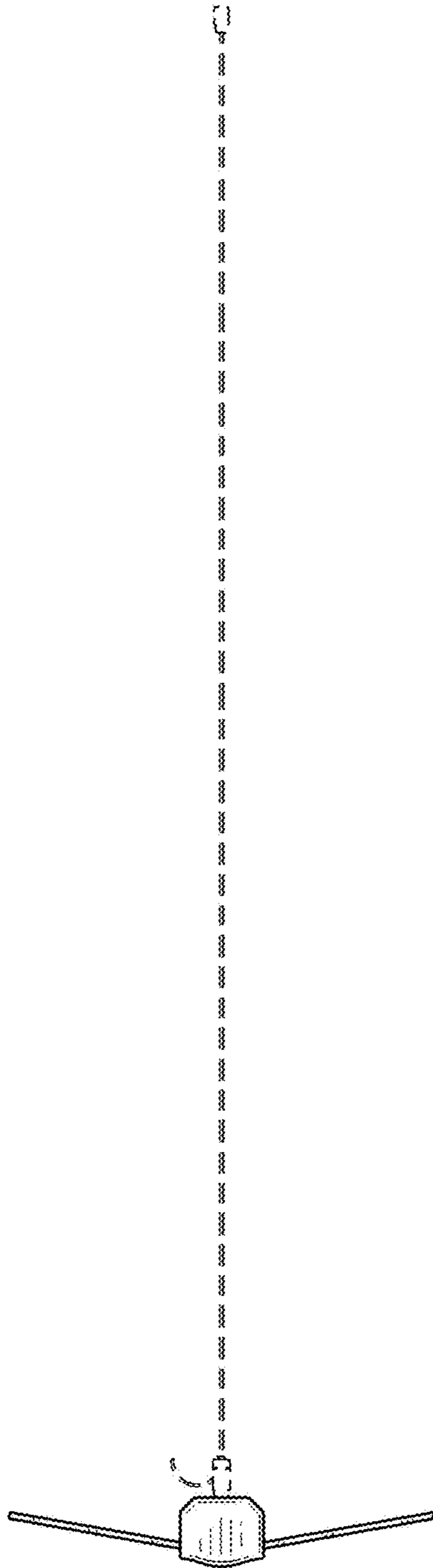


FIG. 5

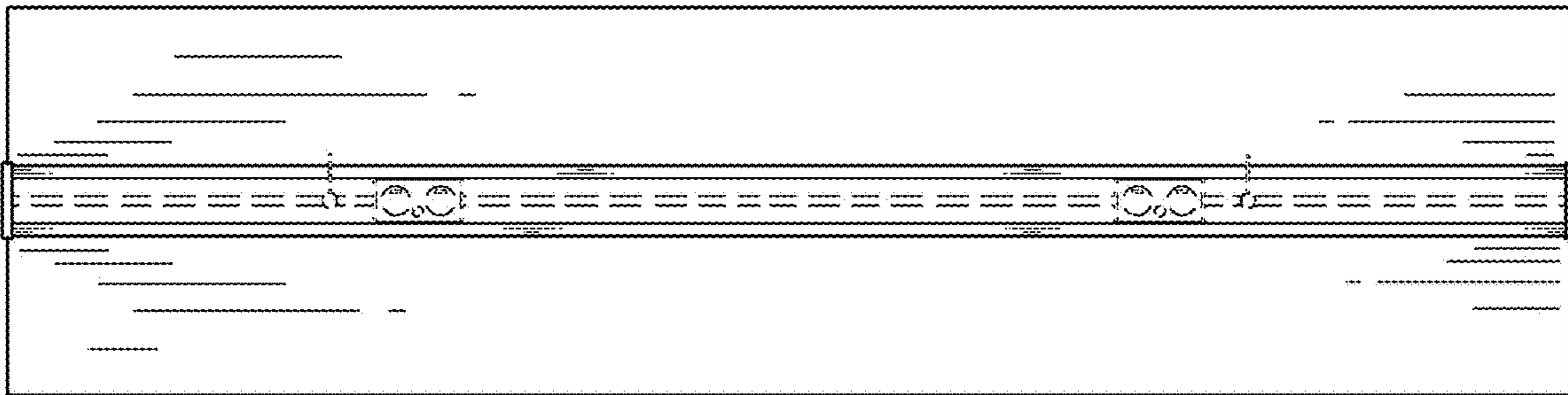


FIG. 6

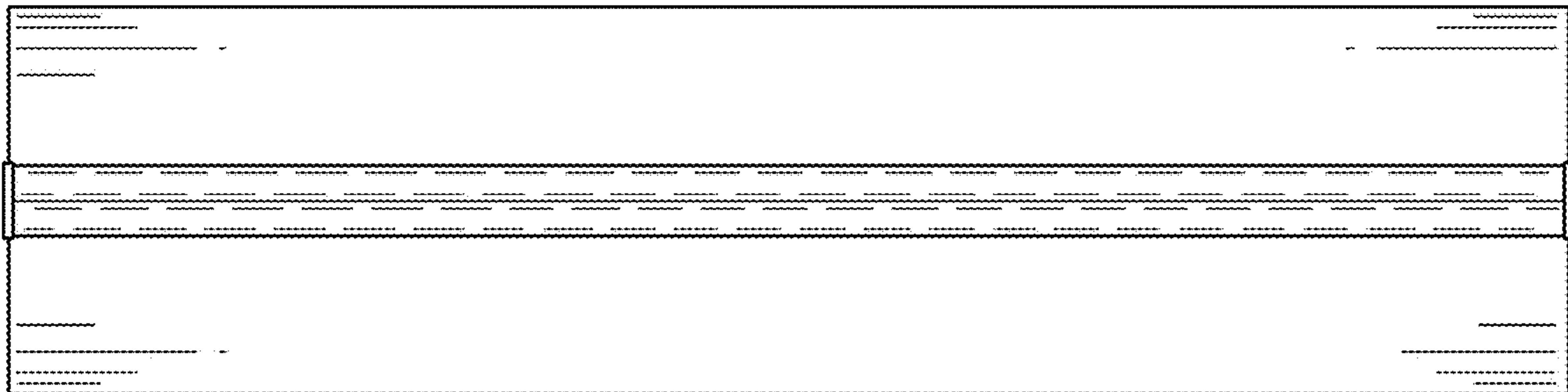


FIG. 7