



US00D853010S

(12) **United States Design Patent** (10) **Patent No.:** **US D853,010 S**
Coirier (45) **Date of Patent:** **** Jul. 2, 2019**

(54) **LIGHTING FIXTURE**
(71) Applicant: **SIGNIFY HOLDING B.V.**, Eindhoven (NL)
(72) Inventor: **Florent Coirier**, Paris (FR)
(73) Assignee: **SIGNIFY HOLDING B.V.**, Eindhoven (NL)

(*) Notice: This patent is subject to a terminal disclaimer.

(**) Term: **15 Years**

(21) Appl. No.: **29/616,168**

(22) Filed: **Sep. 1, 2017**

(30) **Foreign Application Priority Data**

Mar. 14, 2017 (EM) 003799584-0023

(51) **LOC (11) Cl.** **26-05**

(52) **U.S. Cl.**
USPC **D26/74**

(58) **Field of Classification Search**
USPC D26/72, 74, 79, 82, 83, 85, 88, 89
CPC F21V 21/02; F21V 21/04; F21V 21/042;
F21V 21/044; F21V 21/047; F21V 29/00;
F21V 29/2212; F21V 29/72; F21V 29/75;
F21V 29/76; F21S 8/00; F21S 8/02; F21S
8/026; F21S 8/04; F21S 2/005

See application file for complete search history.

(56) **References Cited**

U.S. PATENT DOCUMENTS

2,626,120 A * 1/1953 Baker F21V 21/02
174/62
D469,212 S * 1/2003 Chiu D26/118

D601,741 S * 10/2009 Trott D26/118
D610,289 S * 2/2010 Yoshinobu D26/74
D698,970 S * 2/2014 Guzzini D26/74
D713,585 S * 9/2014 Van Lierde D26/66
D740,996 S * 10/2015 Tragatschnig D26/118
D769,502 S * 10/2016 Van Lierde D26/74
D779,101 S * 2/2017 Redfern D26/74
D785,227 S * 4/2017 Guzzini D26/74
D785,228 S * 4/2017 Guzzini D26/74
D789,586 S * 6/2017 Guzzini D26/74
D789,587 S * 6/2017 Salomon D26/74
D805,674 S * 12/2017 Salomon D26/74
D807,558 S * 1/2018 Guzzini D26/74

* cited by examiner

Primary Examiner — Cathron C Brooks

(57) **CLAIM**

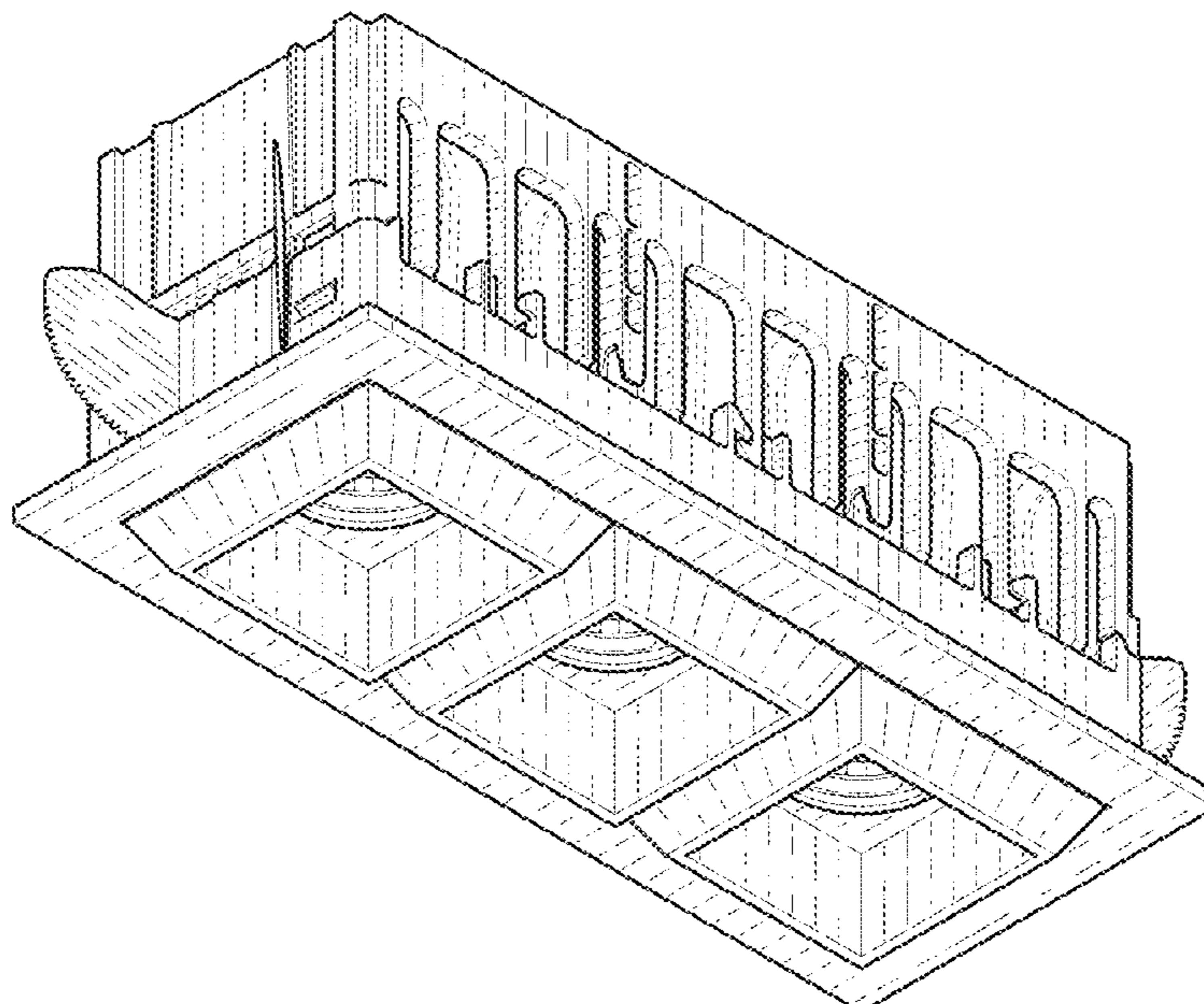
The ornamental design for a “lighting fixture,” as shown and described.

DESCRIPTION

FIG. 1 is a perspective view showing my design;
FIG. 2 is a front elevational view thereof;
FIG. 3 is a rear elevational view thereof;
FIG. 4 is a right side elevational view thereof;
FIG. 5 is a left side elevational view thereof;
FIG. 6 is a top plan view thereof; and,
FIG. 7 is a bottom plan view thereof.

The broken lines in the reproductions illustrate portions of the lighting fixture that form not part of the claimed design.

1 Claim, 4 Drawing Sheets



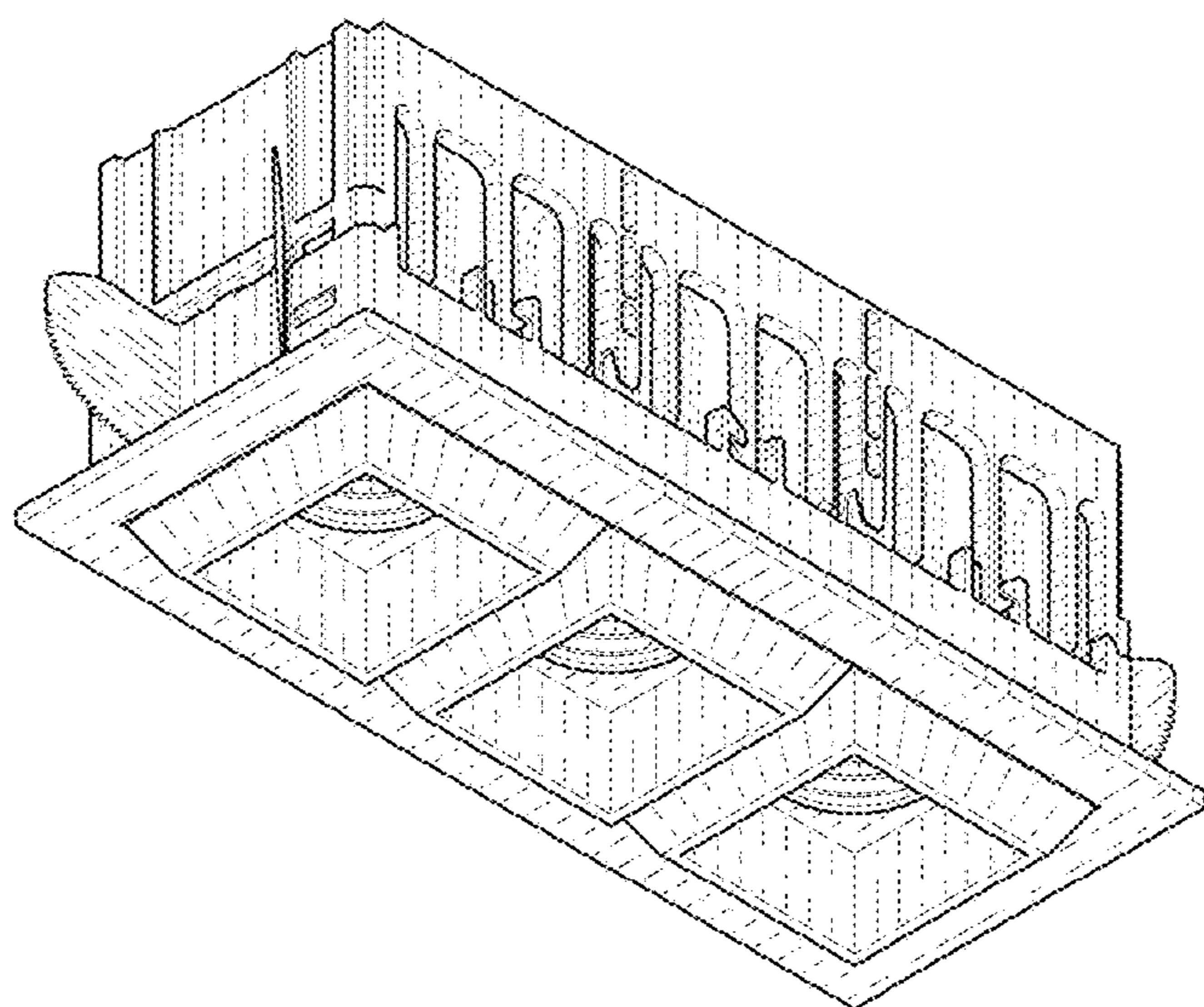


FIG. 1

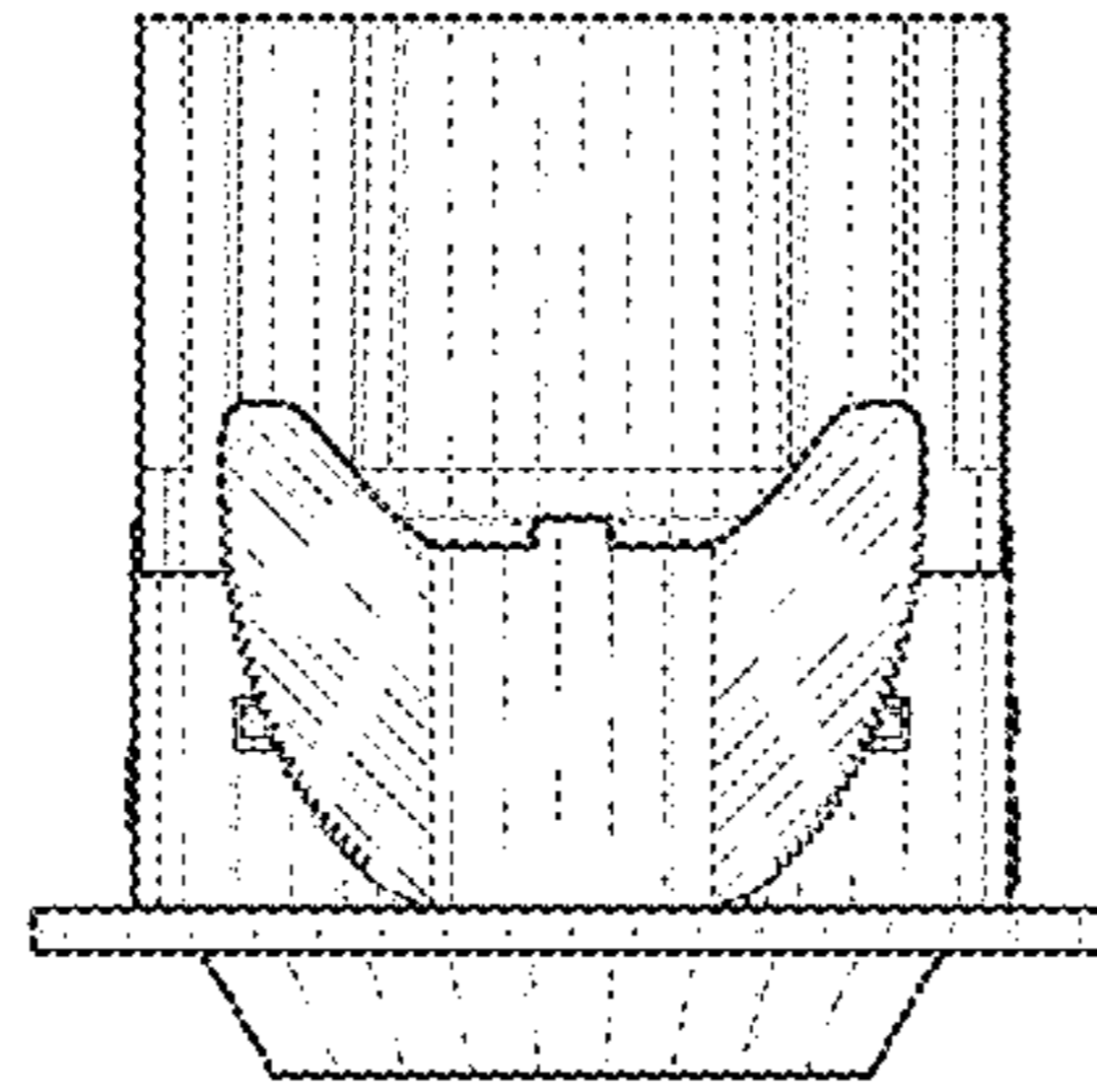


FIG. 2

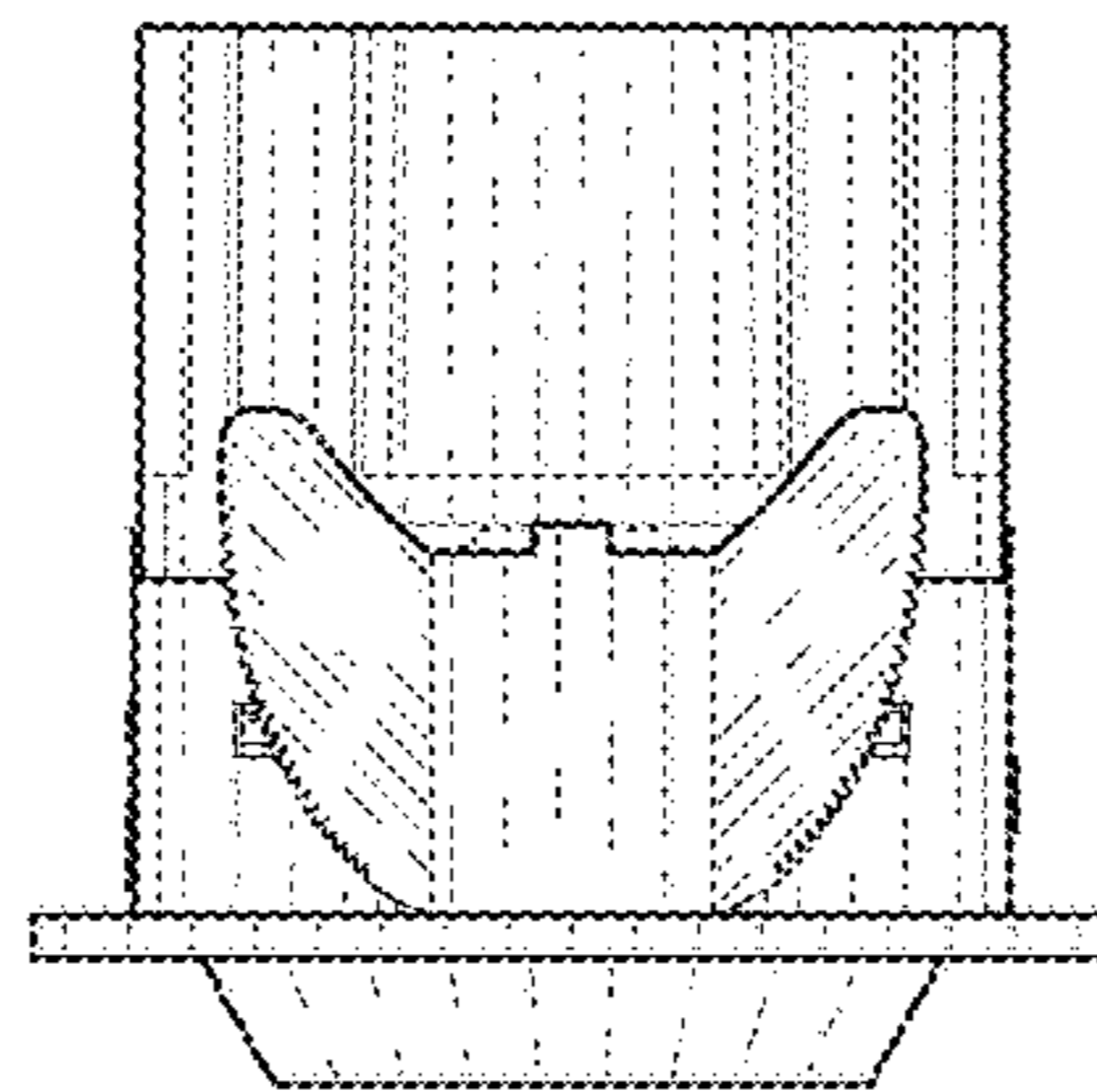


FIG. 3

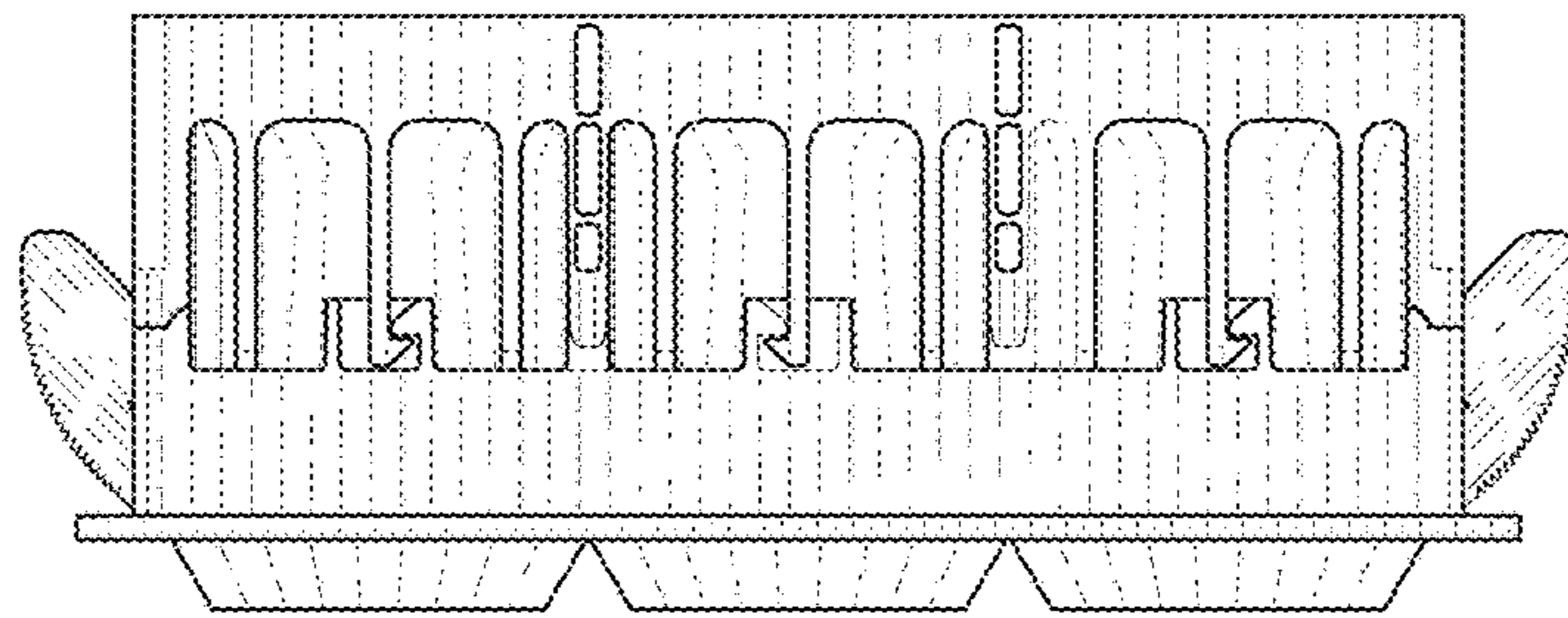


FIG. 4

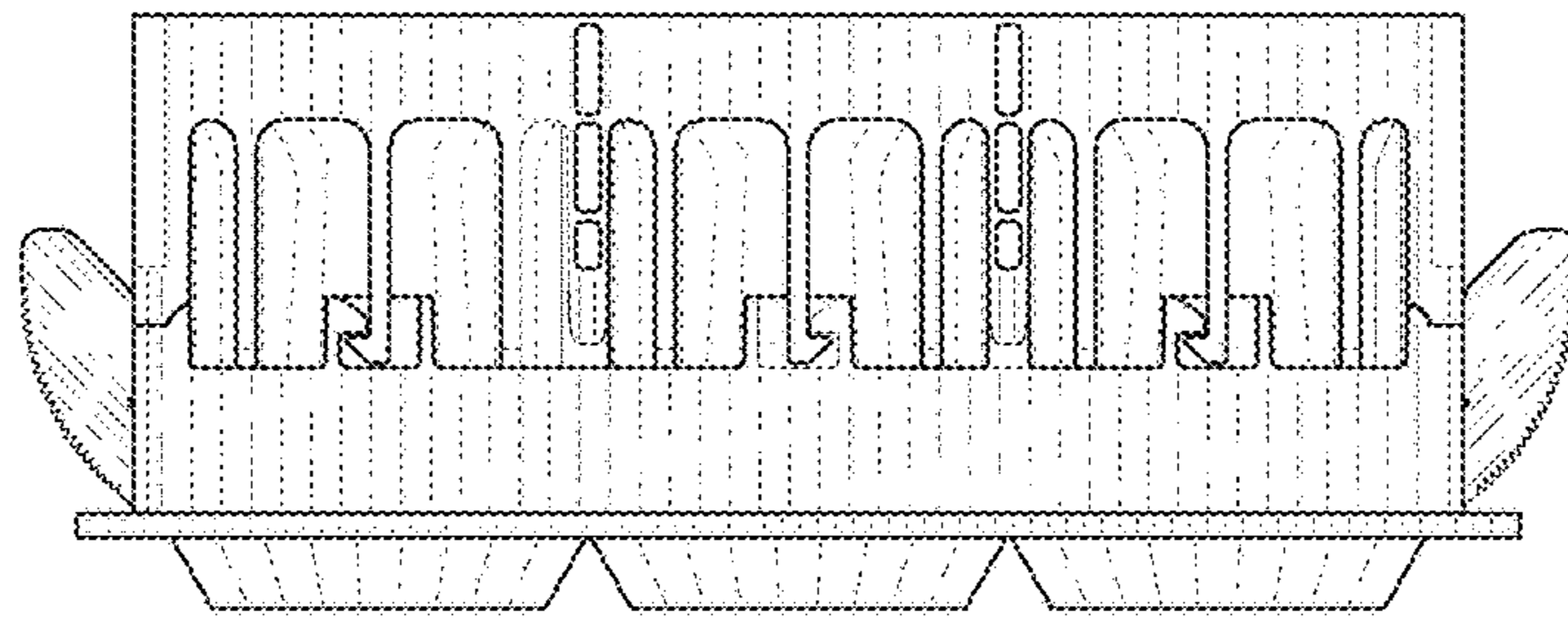


FIG. 5

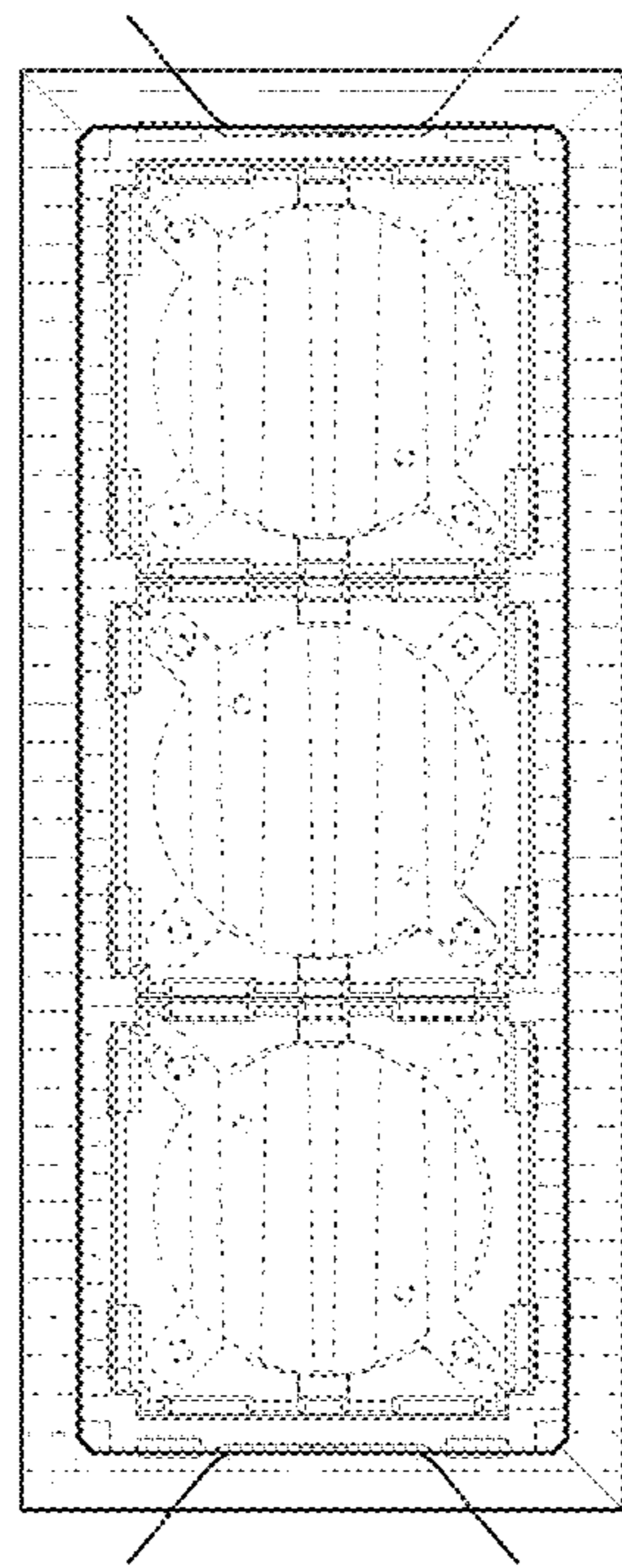


FIG. 6

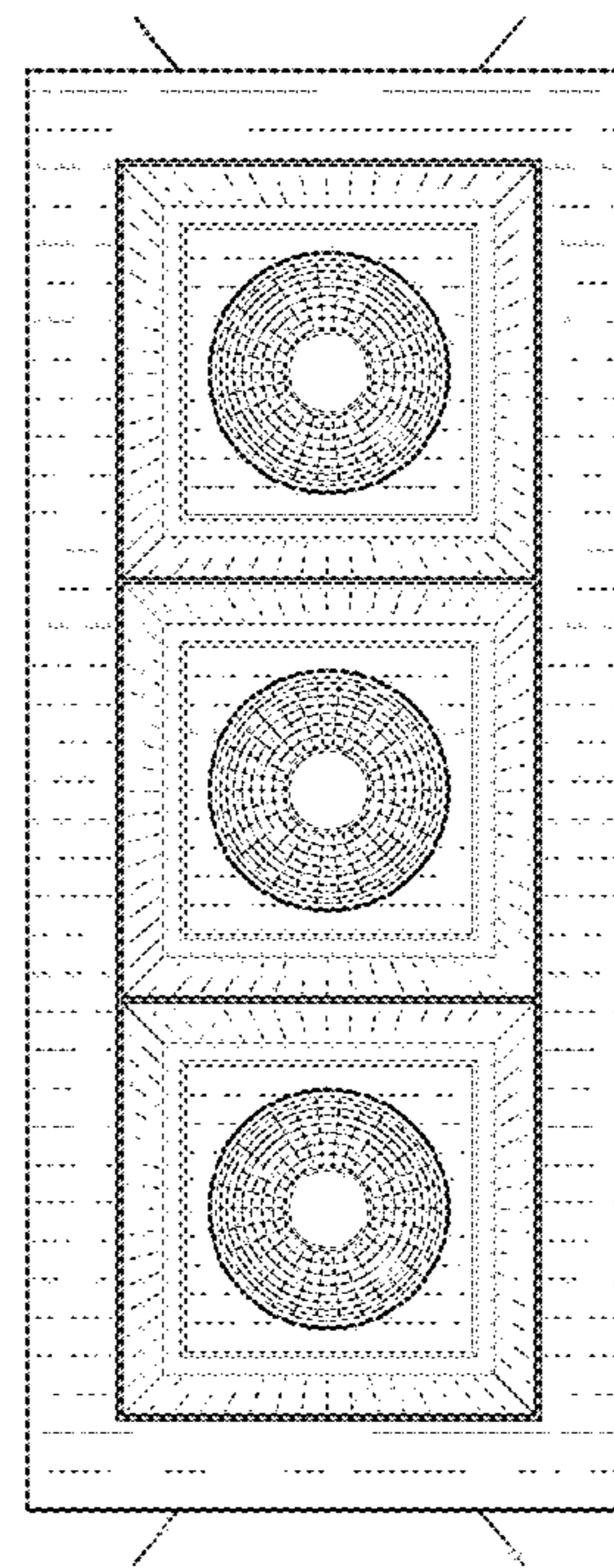


FIG. 7