



US00D853008S

(12) **United States Design Patent** (10) **Patent No.:** **US D853,008 S**  
**Joyeux** (45) **Date of Patent:** **\*\* Jul. 2, 2019**

(54) **OUTDOOR LIGHTING FIXTURE**

(71) Applicant: **ECLAIRAGE ROGER PRADIER**,  
Saint Maur (FR)

(72) Inventor: **Stéphane Joyeux**, Saint Maur sur Indre  
(FR)

(\*\*) Term: **15 Years**

(21) Appl. No.: **35/504,315**

(22) Filed: **Dec. 22, 2017**

(80) **Hague Agreement Data**  
 Int. Filing Date: **Dec. 22, 2017**  
 Int. Reg. No.: **DM/099119**  
 Int. Reg. Date: **Dec. 22, 2017**  
 Int. Reg. Pub. Date: **Jan. 12, 2018**

(51) **LOC (11) Cl.** ..... **26-05**

(52) **U.S. Cl.**  
 USPC ..... **D26/72**

(58) **Field of Classification Search**  
 USPC ..... D10/2, 15, 21, 24, 25, 27; D26/24, 72,  
 D26/85, 88, 89, 104, 107  
 CPC ..... F21S 8/033; F21S 10/00; F21W 2131/30  
 See application file for complete search history.

D276,657 S *	12/1984	Duthu .....	D26/50
D290,522 S *	6/1987	de Vos .....	D26/63
D291,360 S *	8/1987	De Vos .....	D26/63
D437,077 S *	1/2001	Minissi .....	D26/85
D469,911 S *	2/2003	Lee .....	D26/85
D483,503 S *	12/2003	Krieger .....	D26/26
D493,907 S *	8/2004	Benensohn .....	D26/89
D536,463 S *	2/2007	Chiang .....	D26/24
D604,445 S *	11/2009	Ko .....	D26/60
D628,737 S *	12/2010	van den Akker .....	D26/89
D658,317 S *	4/2012	Eberle .....	D26/24
D666,349 S *	8/2012	Sprengers .....	D26/63
D706,974 S *	6/2014	Nikayin .....	D26/138
D713,584 S *	9/2014	Maxik .....	D26/72
D756,548 S *	5/2016	Wang .....	D26/24
D808,564 S *	1/2018	Zheng .....	D26/72
D834,236 S *	11/2018	Amato .....	D26/89

(56) **References Cited**

U.S. PATENT DOCUMENTS

D51,973 S *	4/1918	Pearson et al. ....	D26/37
D190,387 S *	5/1961	Wince .....	D26/89
D209,536 S *	12/1967	McCain .....	D26/74
D213,636 S *	3/1969	Burch .....	D26/50
D221,181 S *	7/1971	Bobrick .....	D26/85
D225,370 S *	12/1972	Peasley .....	D26/85
D243,035 S *	1/1977	Kohlenstein .....	D26/24
D270,481 S *	9/1983	Whitright .....	D26/24
D275,708 S *	9/1984	Lee .....	D26/37

**OTHER PUBLICATIONS**

Flatdesign.FR: Klint—Roger Pradier. © 2018; 2 pages. Found online Jan. 30, 2019 at <https://flatdesign.fr/produit/klint-roger-pradier/>.\*

\* cited by examiner

*Primary Examiner* — Robert M. Spear

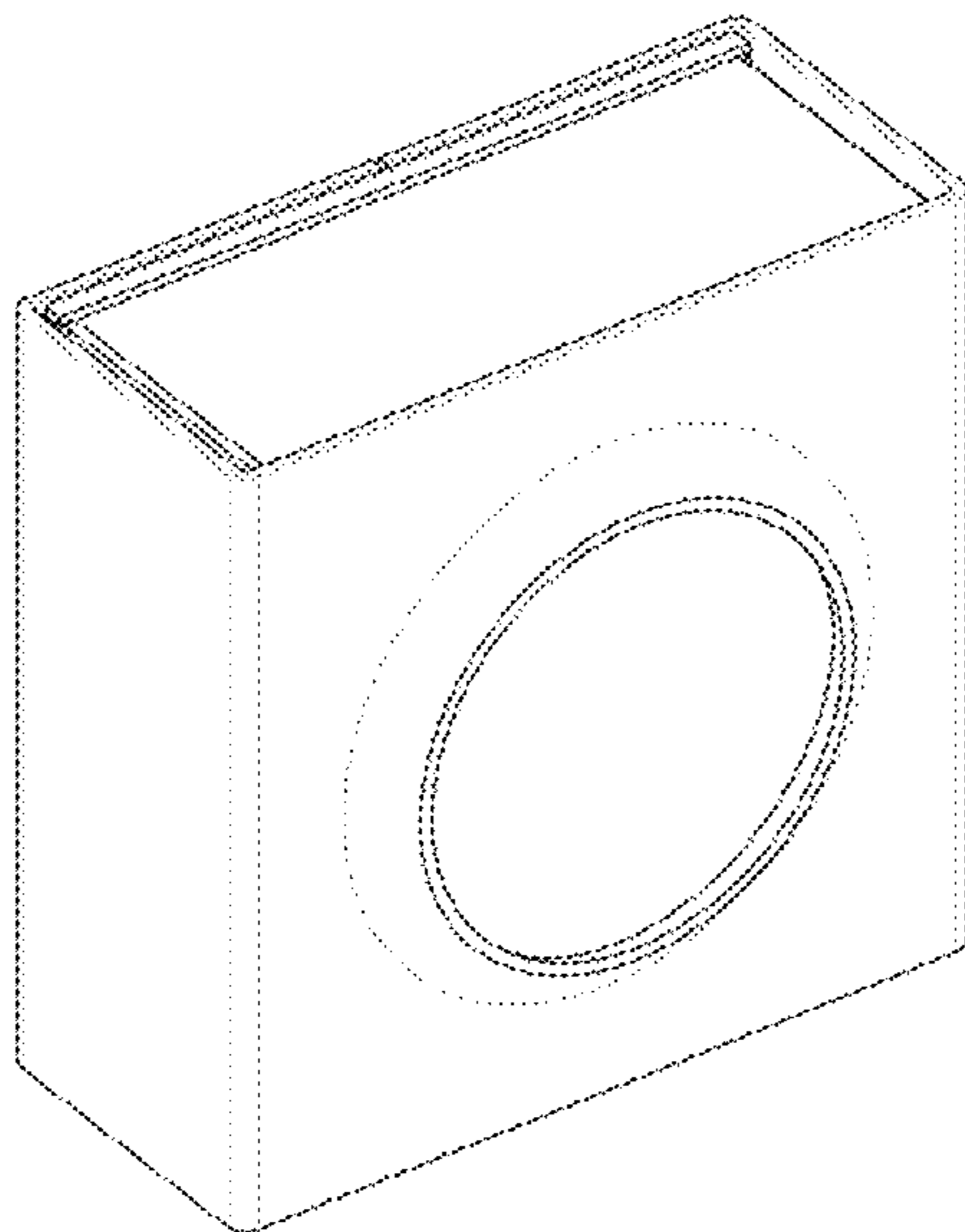
(57) **CLAIM**

The ornamental design for an outdoor lighting fixture, as shown and described.

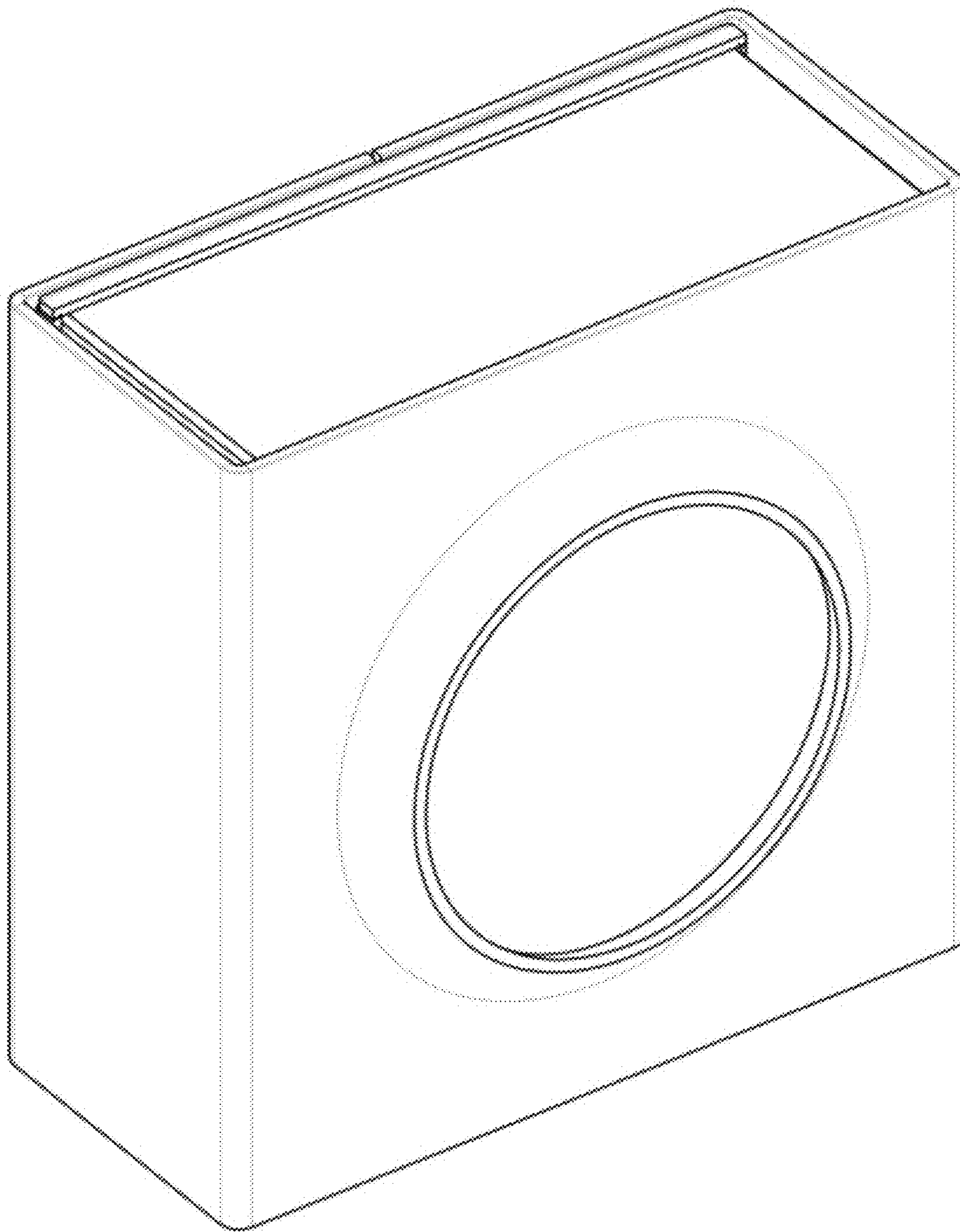
**DESCRIPTION**

2. Outdoor lighting fixture  
 2.1 : Perspective  
 2.2 : Front  
 2.3 : Back  
 2.4 : Right  
 2.5 : Left  
 2.6 : Bottom  
 2.7 : Top.

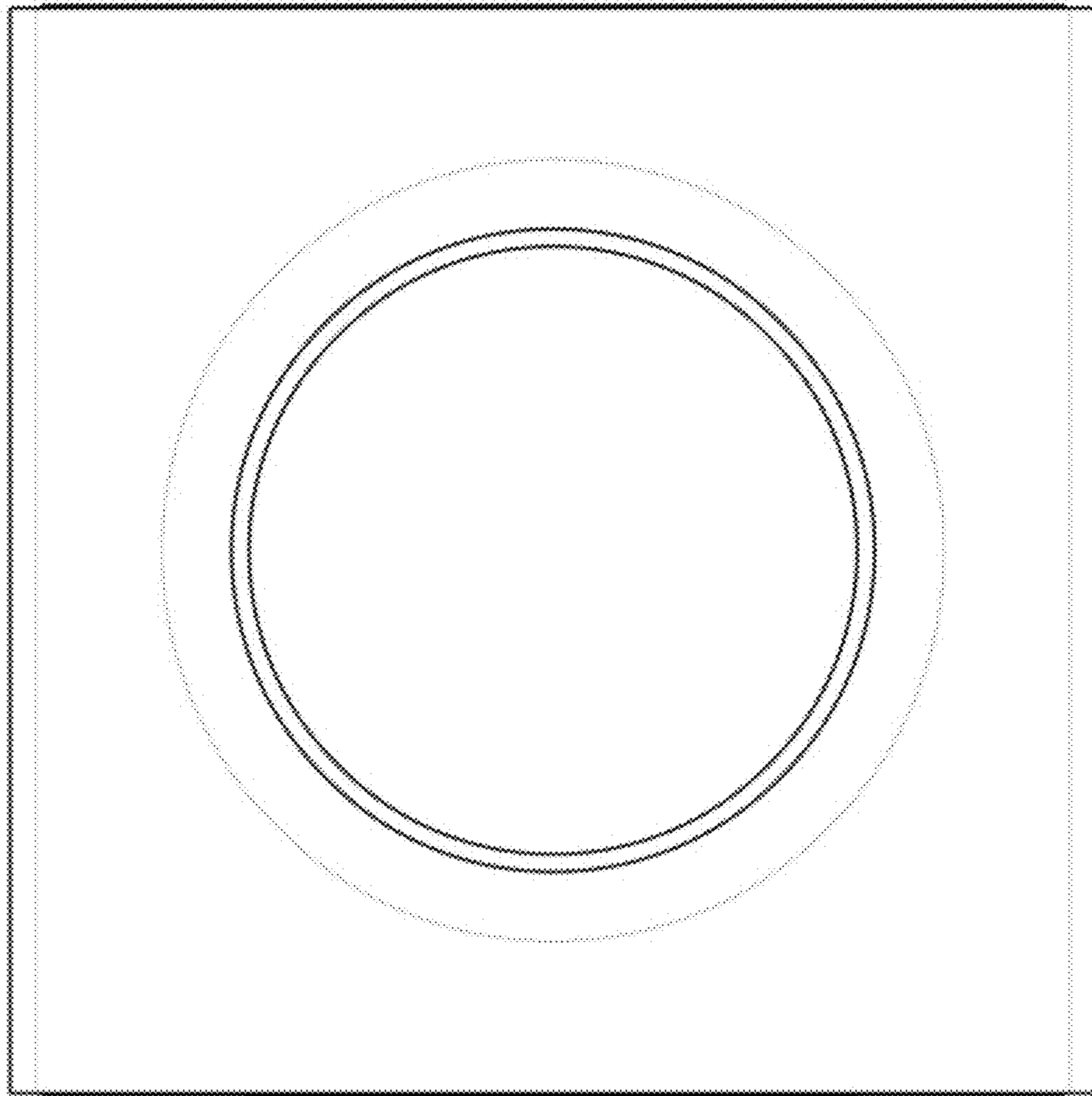
**1 Claim, 7 Drawing Sheets**



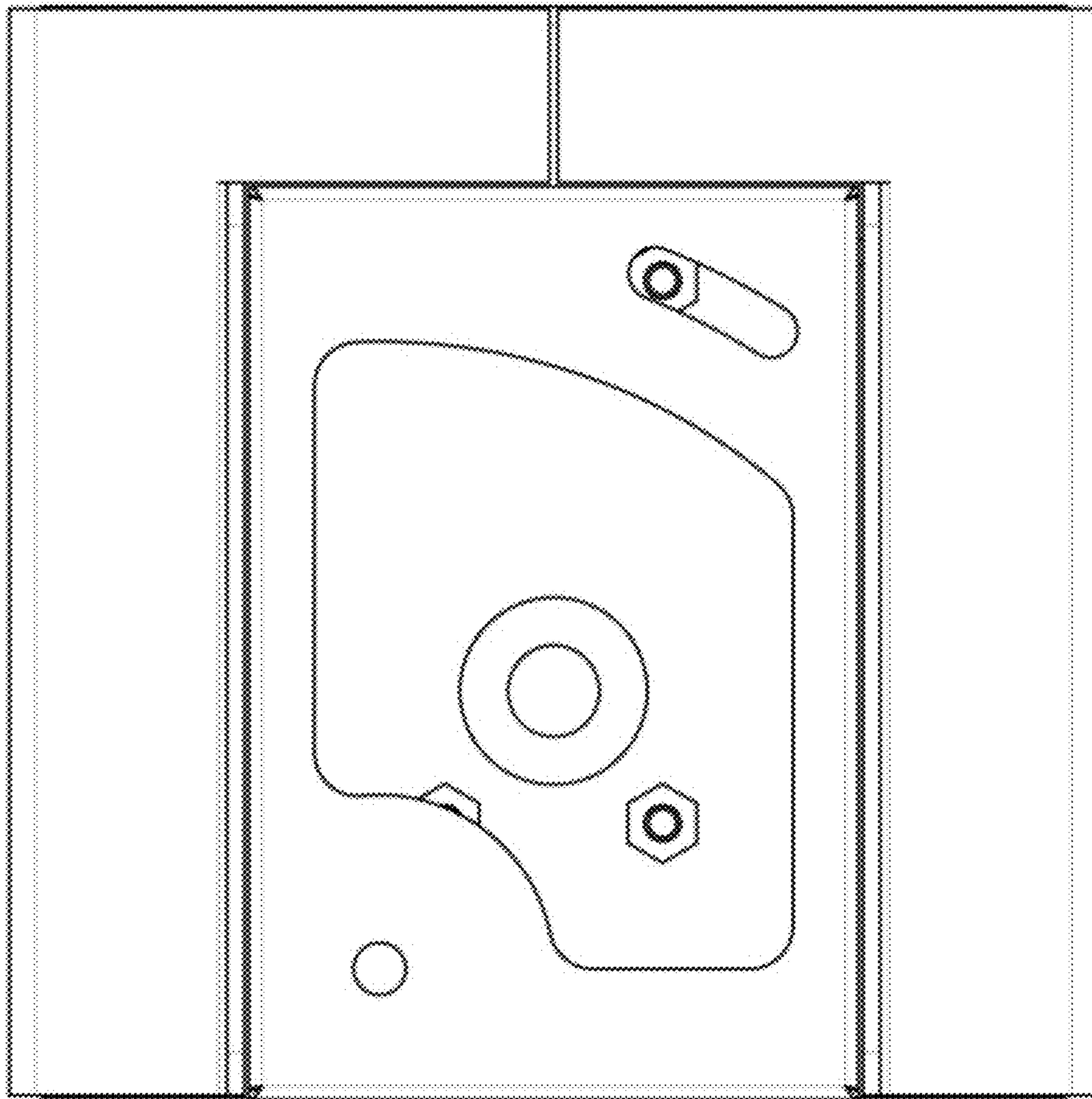
2.1



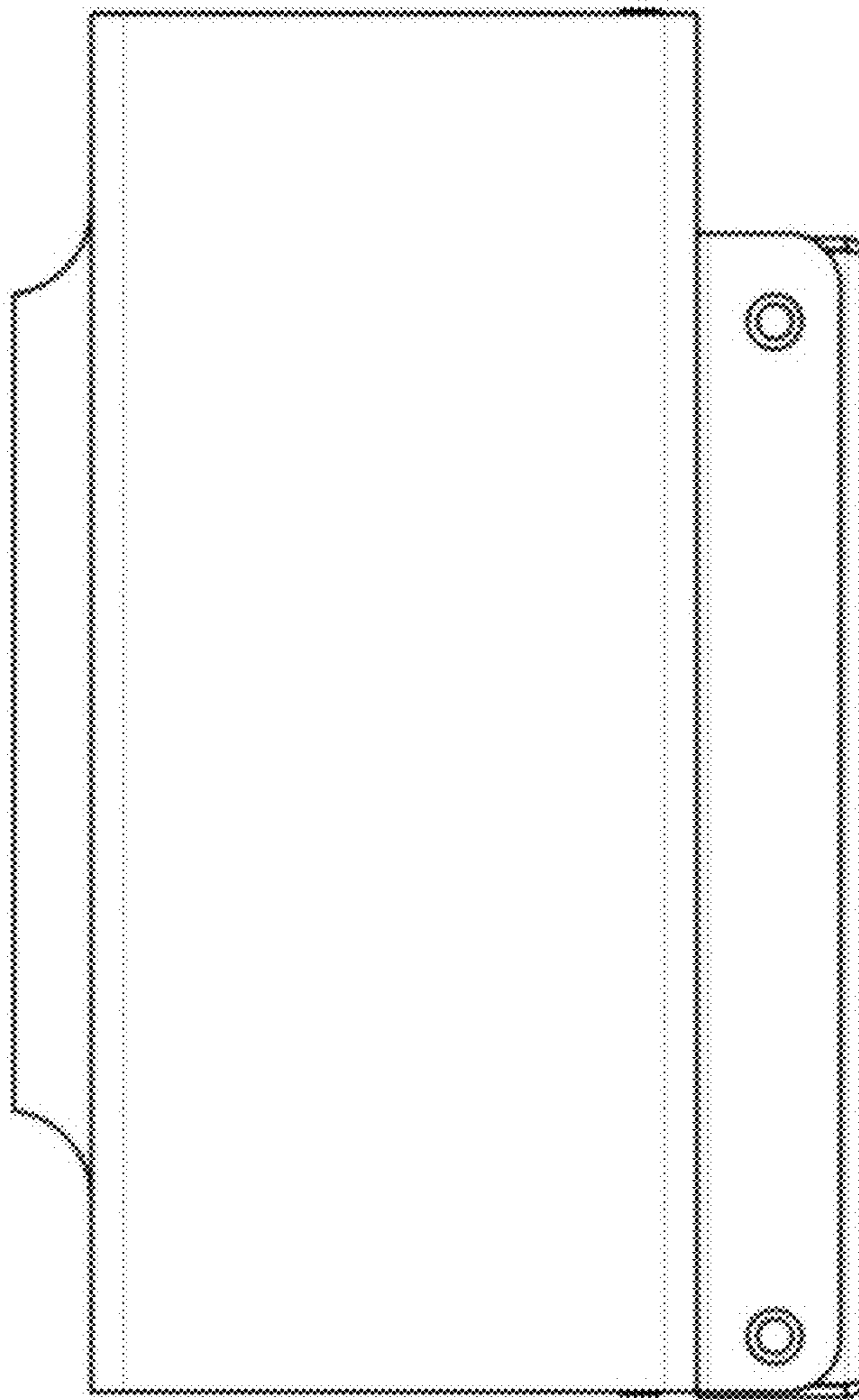
2.2



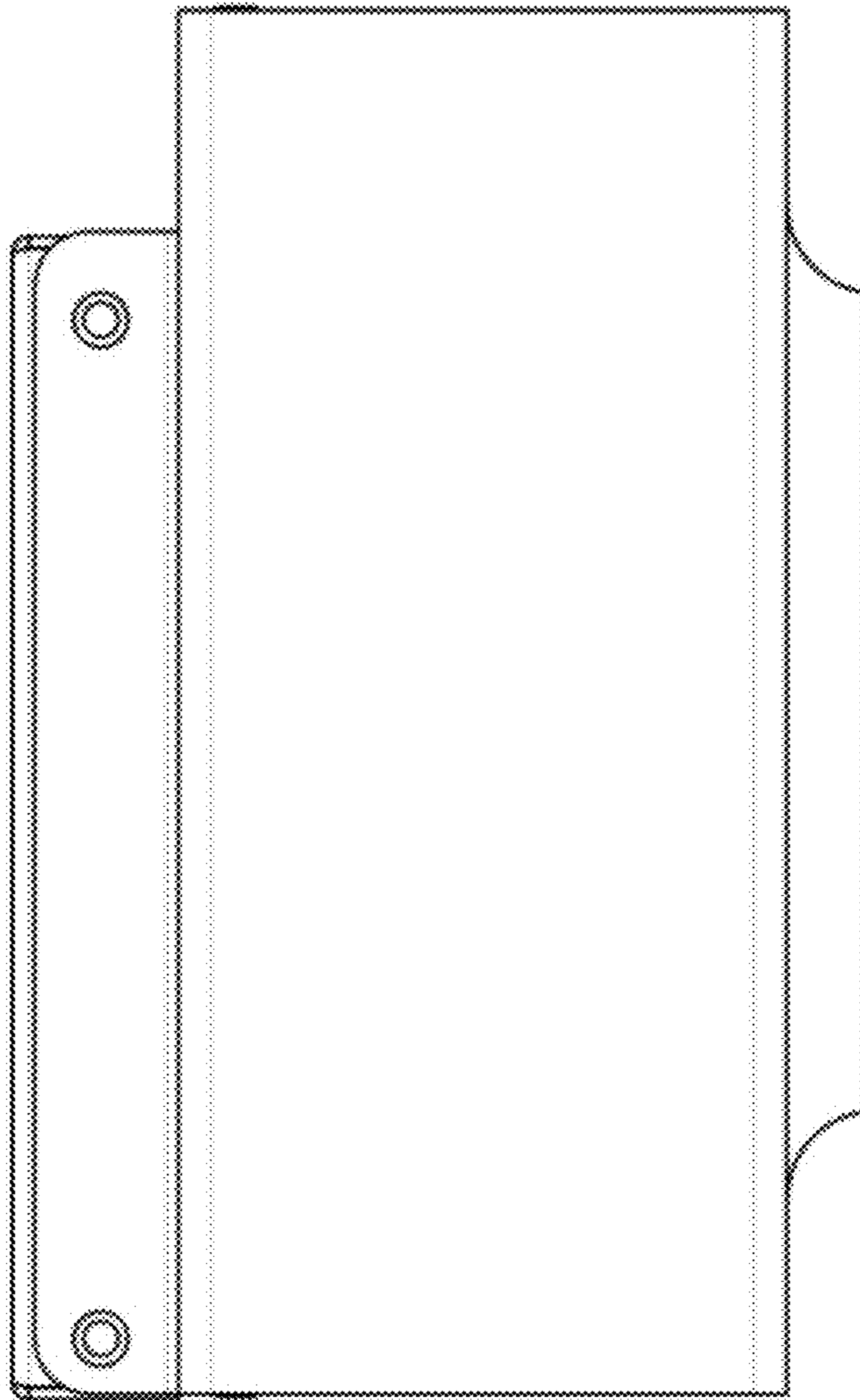
2.3



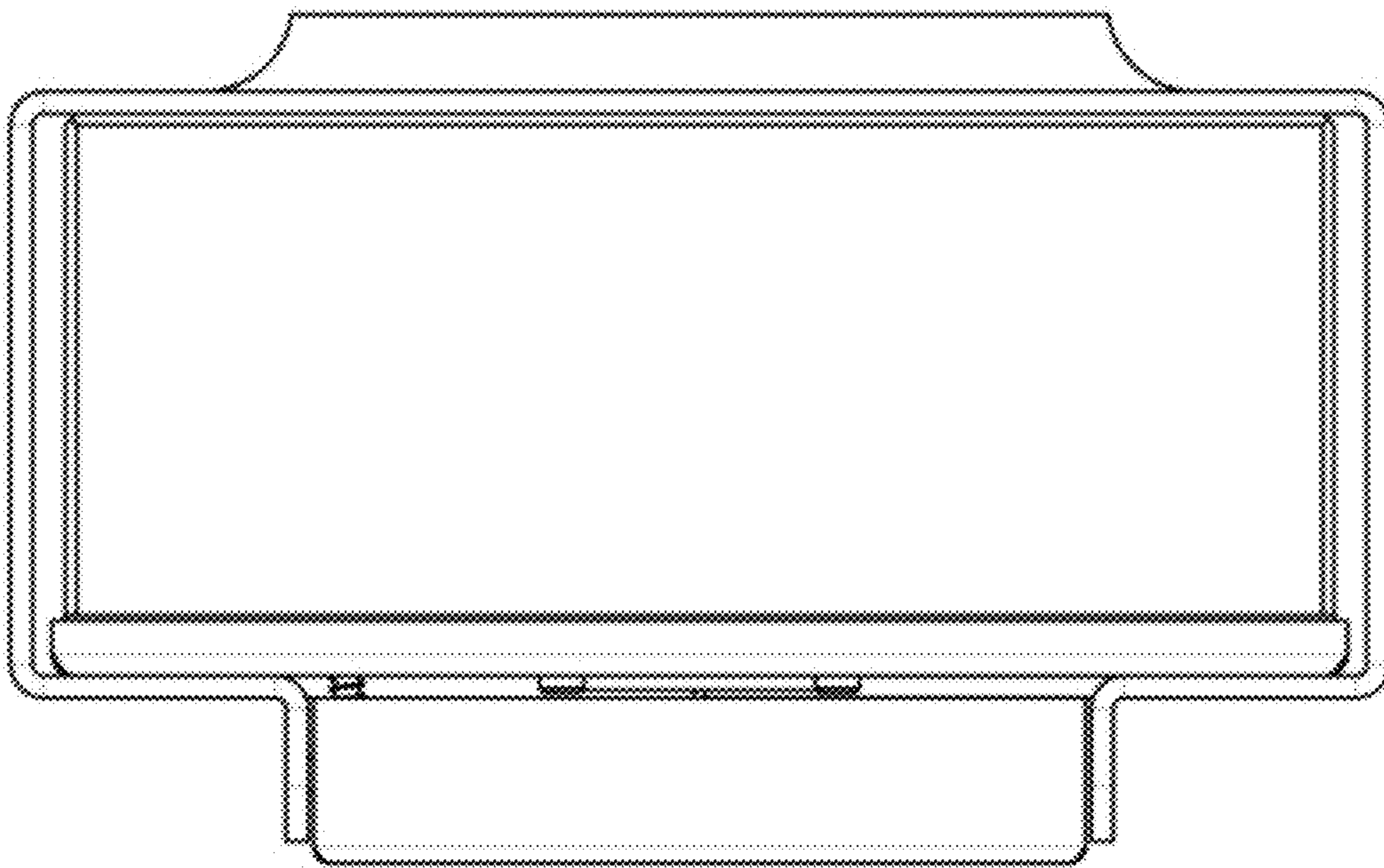
2.4



2.5



2.6



2.7

