



US00D853007S

(12) **United States Design Patent**  
**Eustace et al.**

(10) **Patent No.:** **US D853,007 S**

(45) **Date of Patent:** **\*\* Jul. 2, 2019**

(54) **LIGHTING ASSEMBLY**

(71) Applicant: **Mole Richardson Co., LLC**, Pacoima, CA (US)

(72) Inventors: **Brian Eustace**, Sierra Madre, CA (US);  
**Joshue Martinez**, Los Angeles, CA (US); **Devon Jansen**, Tujunga, CA (US); **Sumanth Nandikanti**, Los Angeles, CA (US)

(\*\*) Term: **15 Years**

(21) Appl. No.: **29/622,317**

(22) Filed: **Oct. 16, 2017**

(51) **LOC (11) Cl.** ..... **26-03**

(52) **U.S. Cl.**  
USPC ..... **D26/65**

(58) **Field of Classification Search**  
USPC ..... D26/1, 24, 61, 63, 65, 85, 92  
CPC ..... F21V 21/14; F21V 15/01; F21V 14/02;  
F21V 21/30; F21V 21/00; F21V 14/00;  
F21S 8/00; F21S 8/003; F21S 8/043;  
F21Y 2105/001

See application file for complete search history.

(56) **References Cited**

**U.S. PATENT DOCUMENTS**

D735,385 S \* 7/2015 Lee ..... D26/63  
D735,388 S \* 7/2015 Schlegel ..... D26/63

D750,826 S \* 3/2016 Jonischkeit ..... D26/61  
D751,234 S \* 3/2016 Eustace ..... D26/63  
D759,280 S \* 6/2016 Moller ..... D26/63  
D783,874 S \* 4/2017 Moller ..... D26/63  
D815,327 S \* 4/2018 Moller ..... D26/63

\* cited by examiner

*Primary Examiner* — Brian N. Vinson

(57) **CLAIM**

The ornamental design for a lighting assembly, as shown and described.

**DESCRIPTION**

FIG. 1 is a perspective, front view of a lighting assembly according to one embodiment.

FIG. 2 is a front view of the lighting assembly of FIG. 1.

FIG. 3 is a back view of the lighting assembly of FIG. 1.

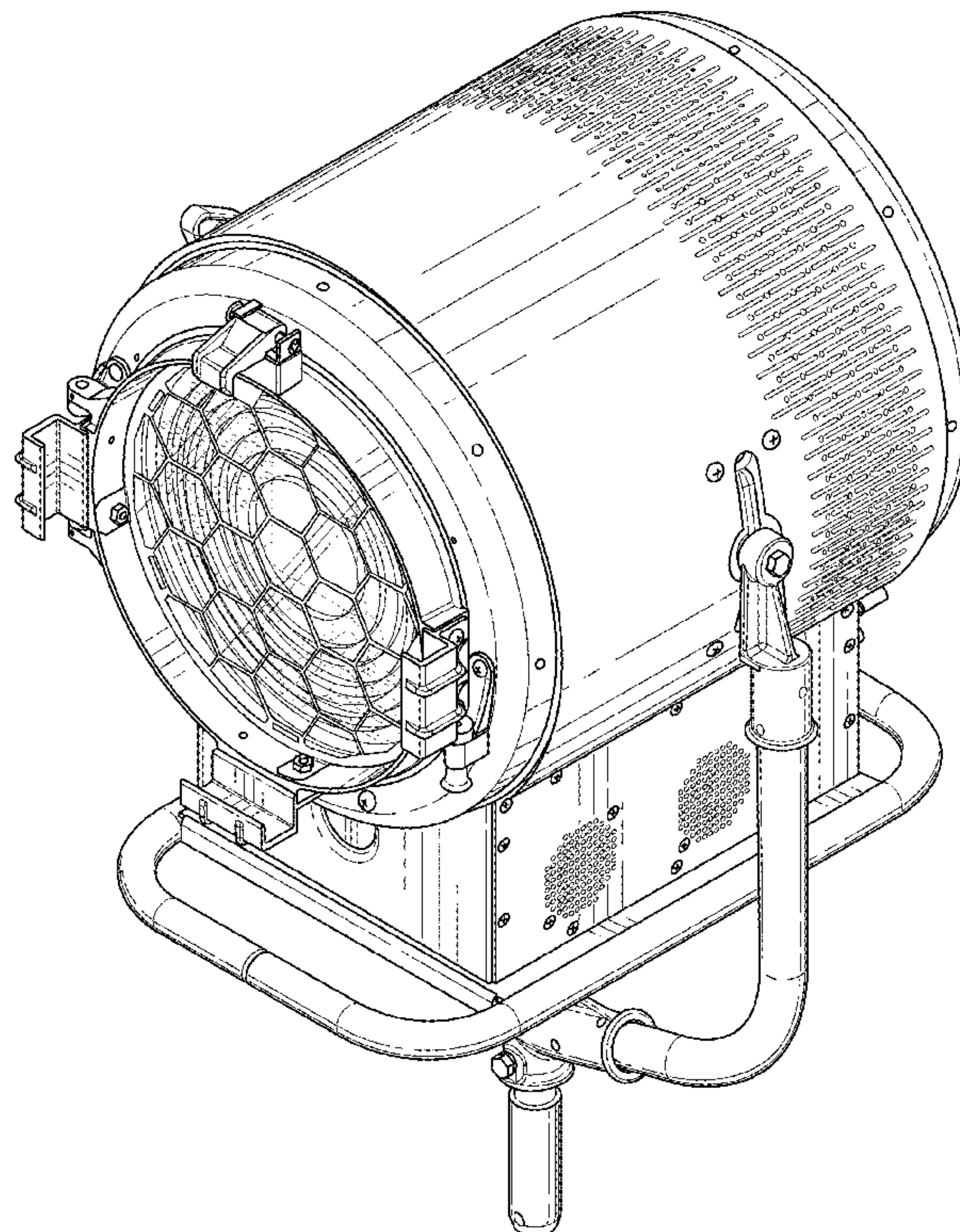
FIG. 4 is a left side view of the lighting assembly of FIG. 1.

FIG. 5 is a right side view of the lighting assembly of FIG. 1.

FIG. 6 is a top view of the lighting assembly of FIG. 1; and, FIG. 7 is a bottom view of the lighting assembly of FIG. 1.

The broken lines shown represent unclaimed subject matter and form no part of the claimed design.

**1 Claim, 7 Drawing Sheets**



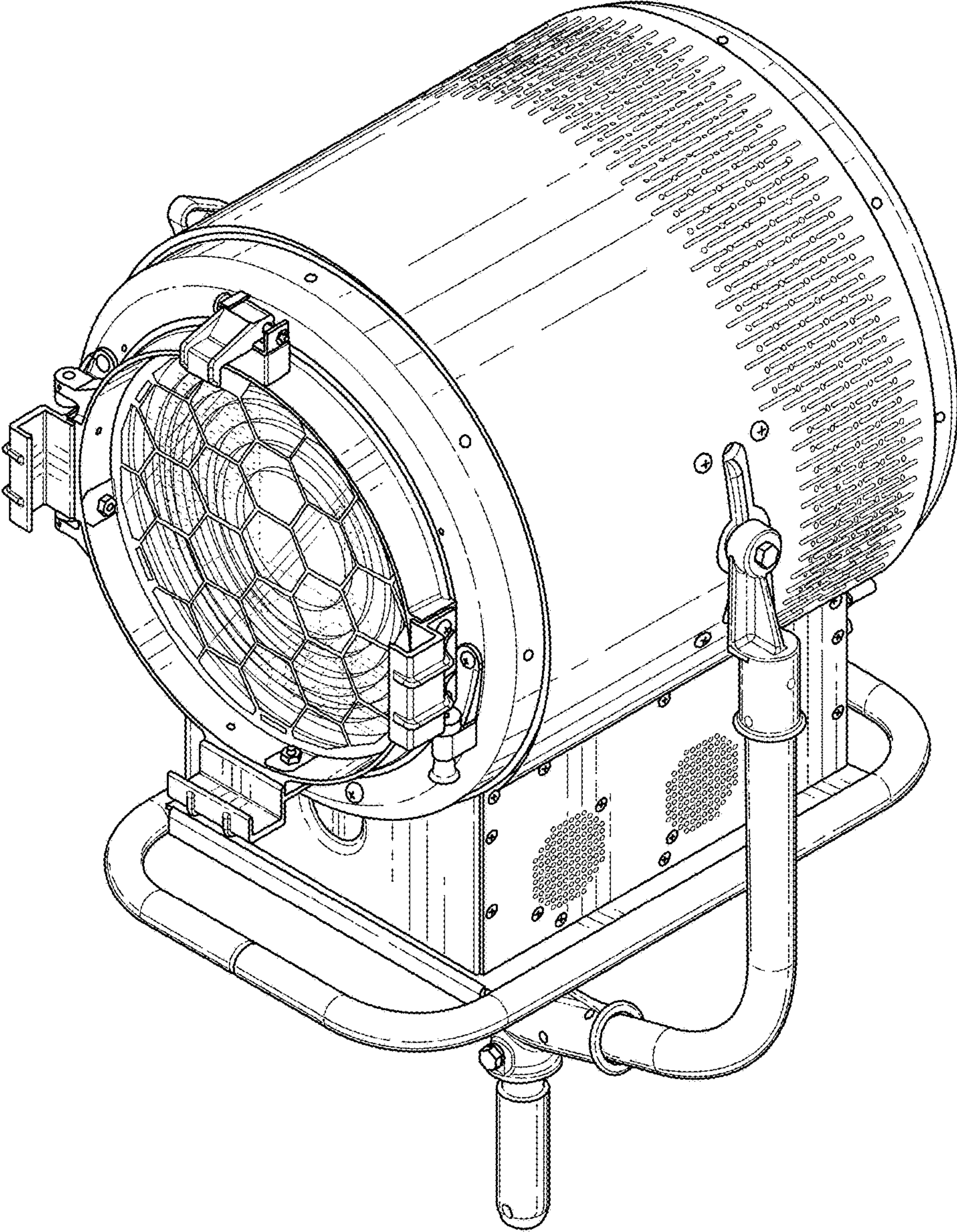


FIG. 1



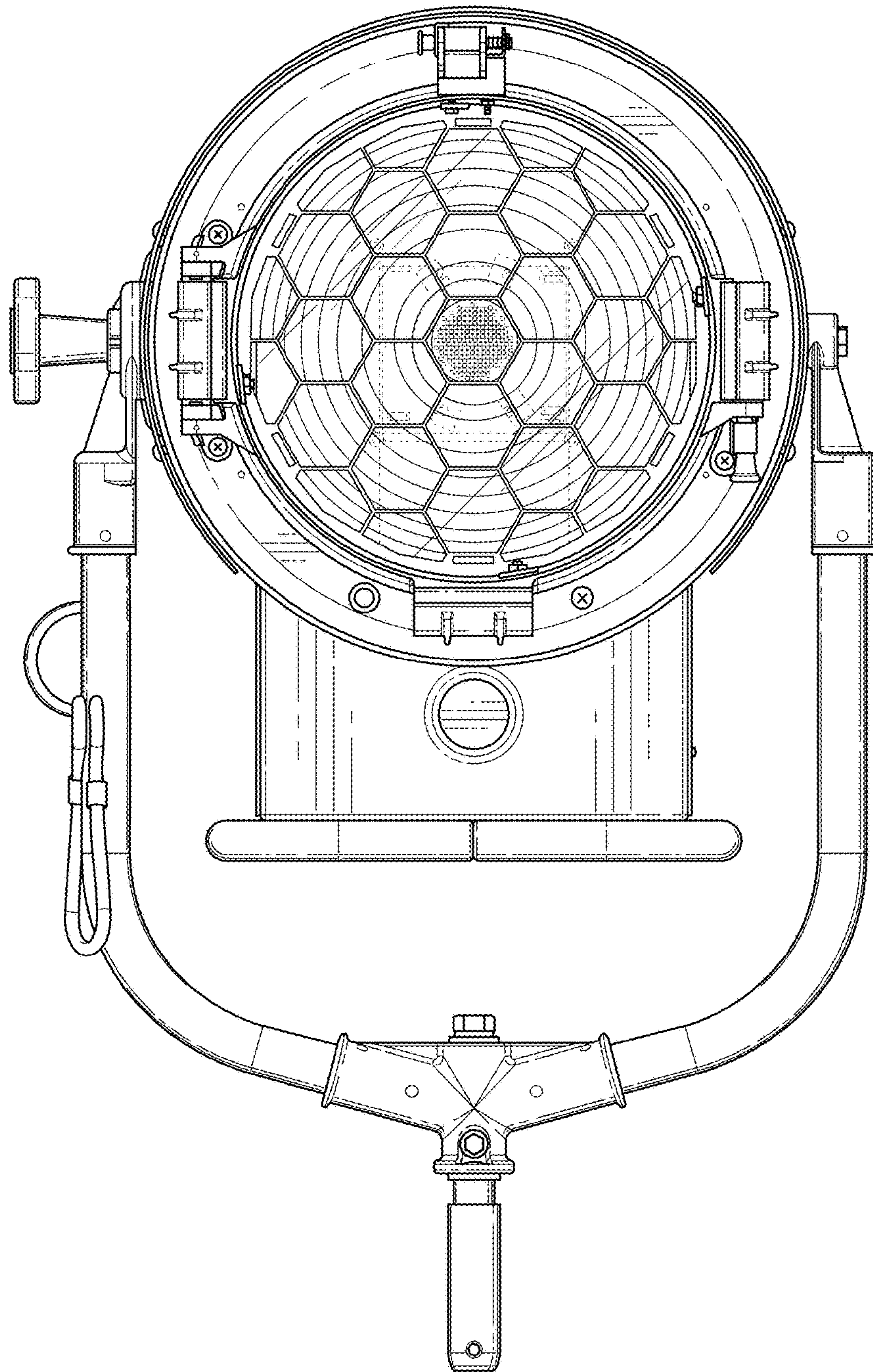


FIG. 2

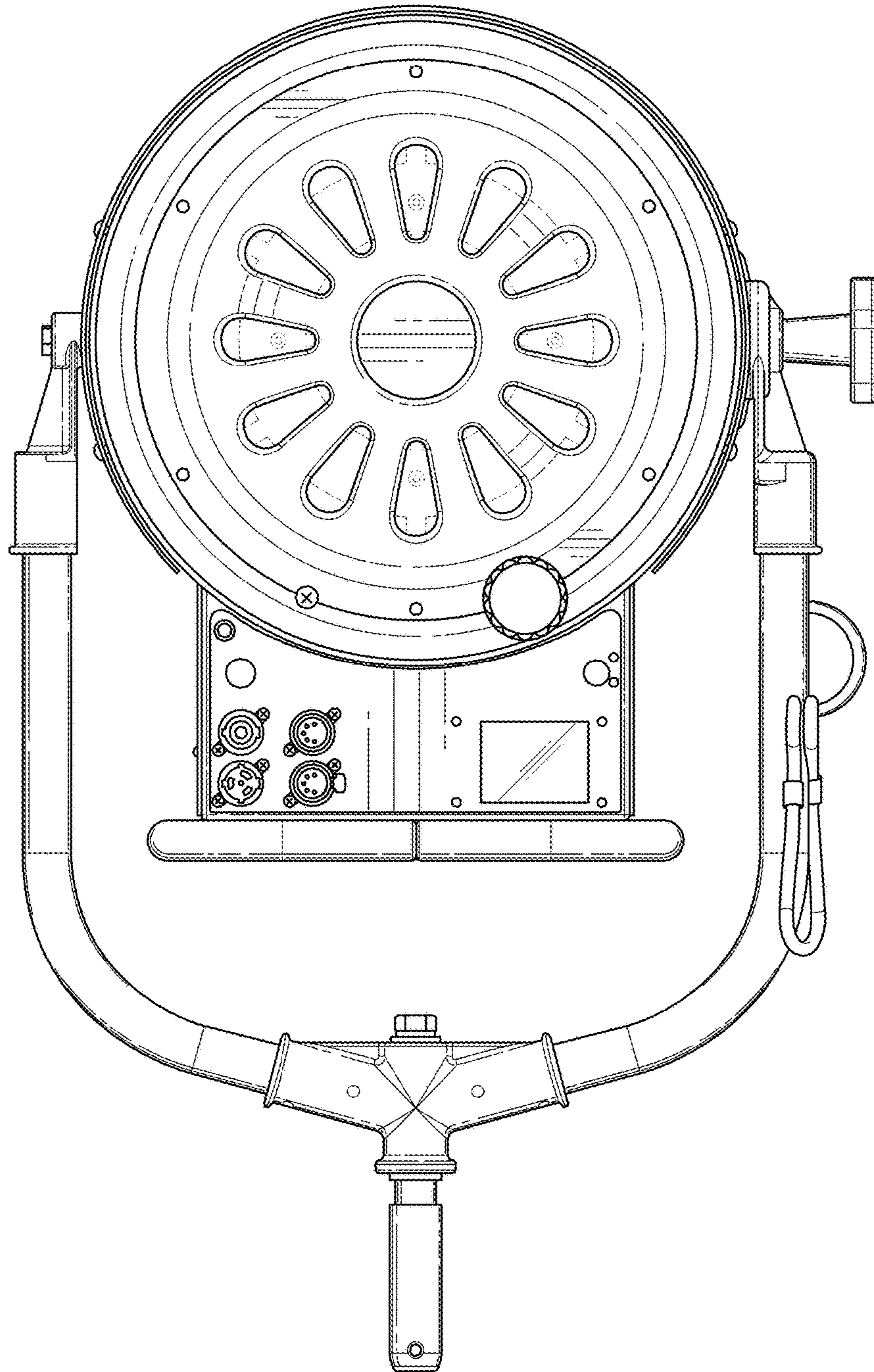


FIG. 3

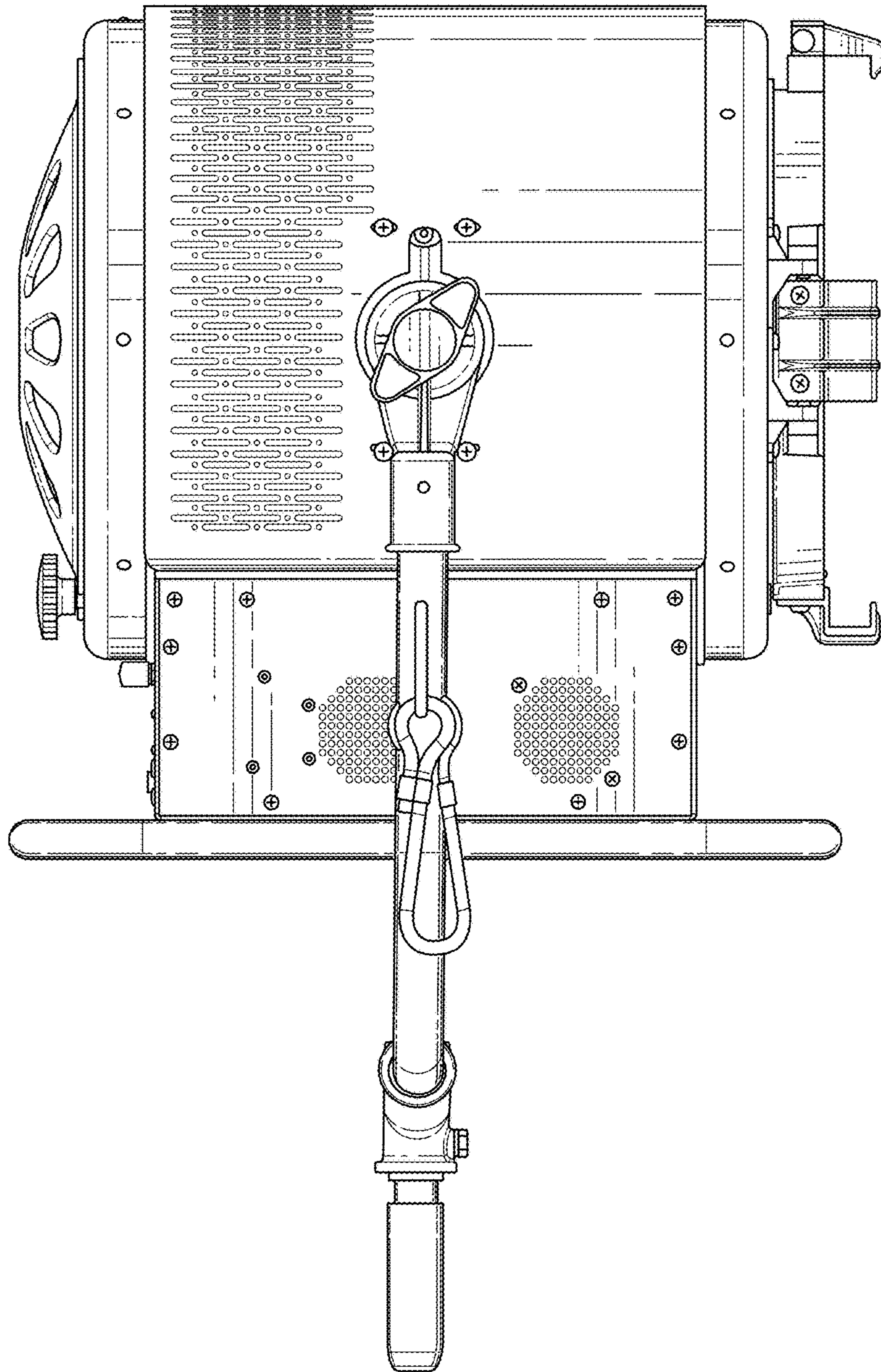


FIG. 4



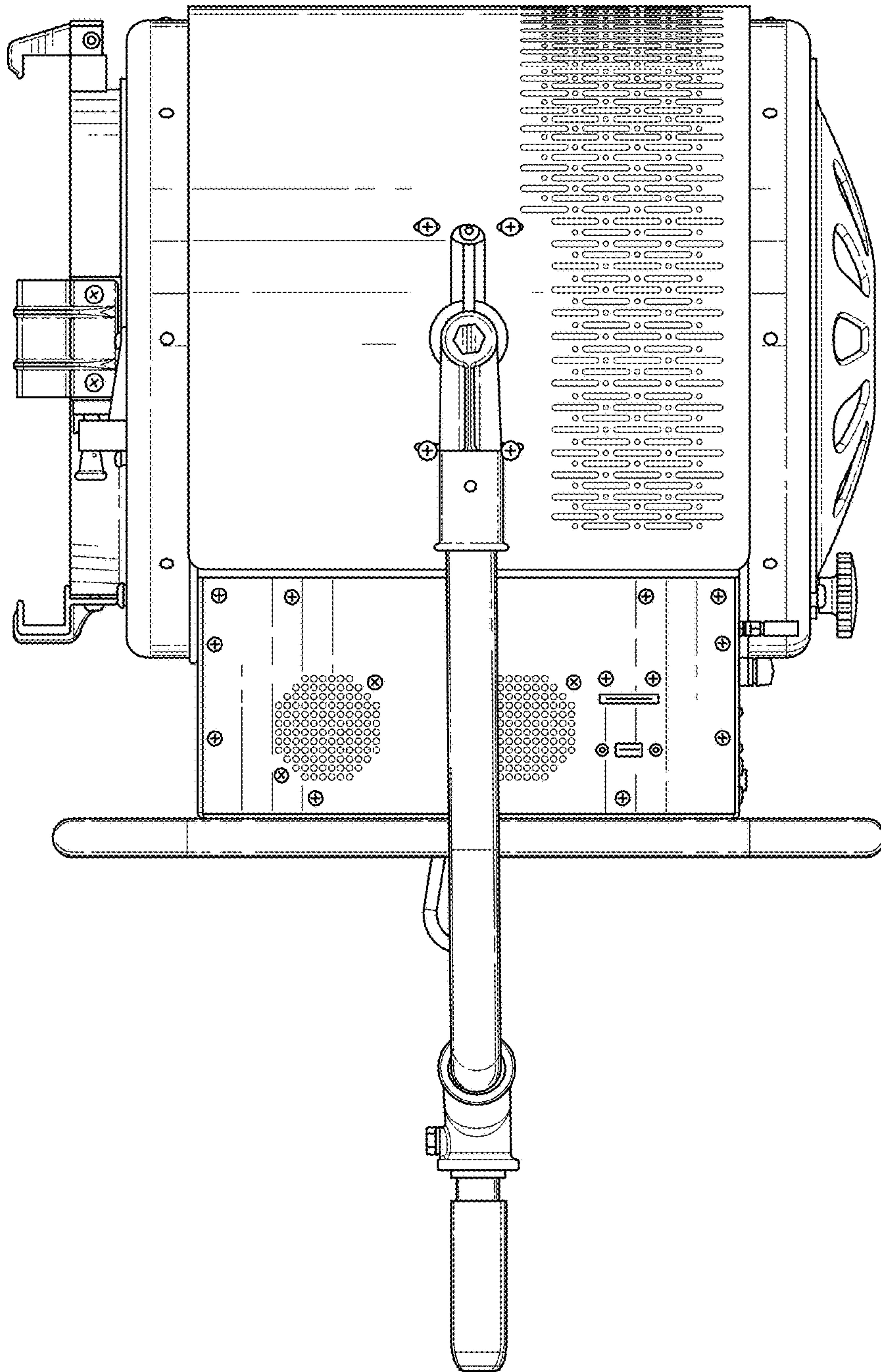


FIG. 5

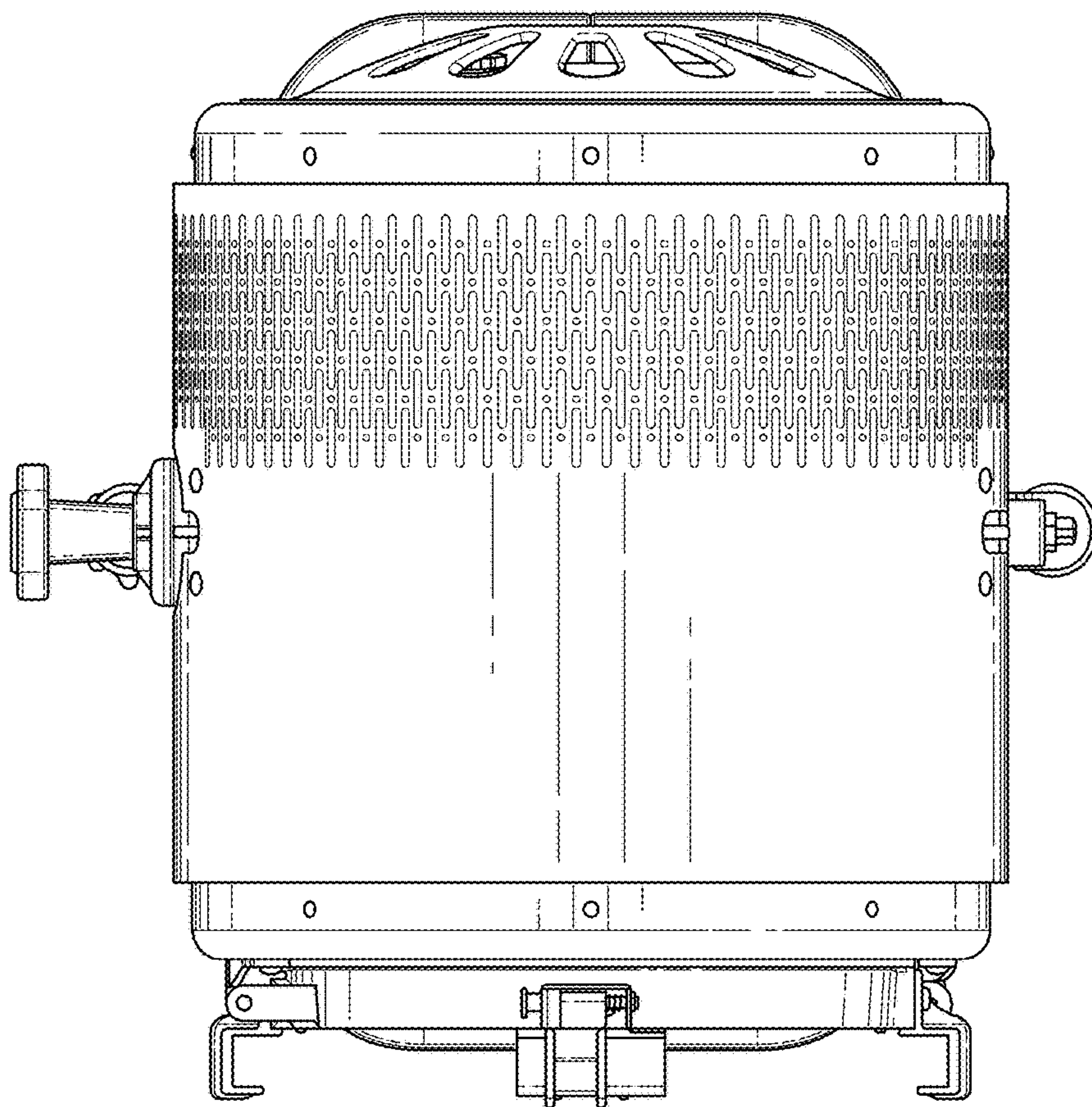


FIG. 6

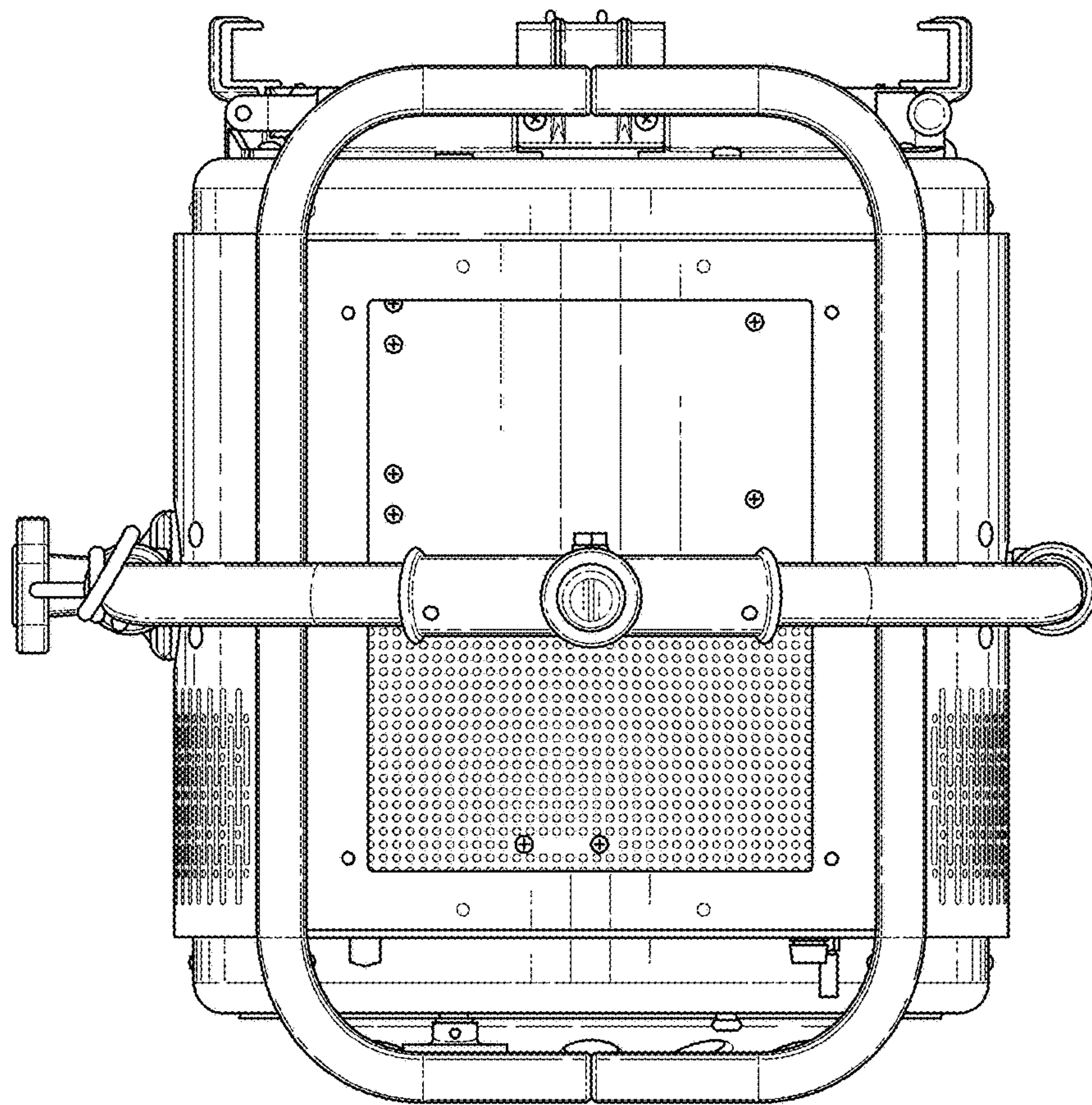


FIG. 7