



US00D853005S

(12) **United States Design Patent**  
**Zou et al.**

(10) **Patent No.:** **US D853,005 S**  
(45) **Date of Patent:** **\*\* Jul. 2, 2019**

(54) **FLOODLIGHT**

(71) Applicant: **Green Inova Lighting Technology (Shenzhen) Limited**, Shenzhen (CN)

(72) Inventors: **Xiaofeng Zou**, Shenzhen (CN); **Qiang Li**, Shenzhen (CN); **Zhijin Lin**, Shenzhen (CN)

(73) Assignee: **Green Inova Lighting Technology (Shenzhen) Limited**, Shenzhen (CN)

(\*\*) Term: **15 Years**

(21) Appl. No.: **29/628,286**

(22) Filed: **Dec. 4, 2017**

(30) **Foreign Application Priority Data**

Sep. 29, 2017 (CN) ..... 2017 3 0470251  
Sep. 29, 2017 (CN) ..... 2017 3 0470866

(51) **LOC (11) Cl.** ..... **26-03**

(52) **U.S. Cl.**  
USPC ..... **D26/63**

(58) **Field of Classification Search**  
USPC ..... D26/1, 24, 61, 63, 65, 85, 92  
CPC ..... F21V 21/14; F21V 21/00; F21V 14/00;  
F21V 15/01; F21V 14/02; F21V 21/30;  
F21S 8/00; F21S 8/003; F21S 8/043;  
F21Y 2105/001  
See application file for complete search history.

(56) **References Cited**

**U.S. PATENT DOCUMENTS**

D573,286 S \* 7/2008 Zettl ..... D26/63  
D646,822 S \* 10/2011 Johannessen ..... D26/63

D734,887 S \* 7/2015 Gebhard ..... D26/63  
D752,267 S \* 3/2016 Wang ..... D26/63  
D768,899 S \* 10/2016 Gebhard ..... D26/63  
D773,092 S \* 11/2016 Koshiba ..... D26/63  
D774,675 S \* 12/2016 Hong ..... D26/63  
D784,586 S \* 4/2017 Gebhard ..... D26/63

\* cited by examiner

*Primary Examiner* — Brian N. Vinson

(74) *Attorney, Agent, or Firm* — Meunier Carlin & Curfman LLC

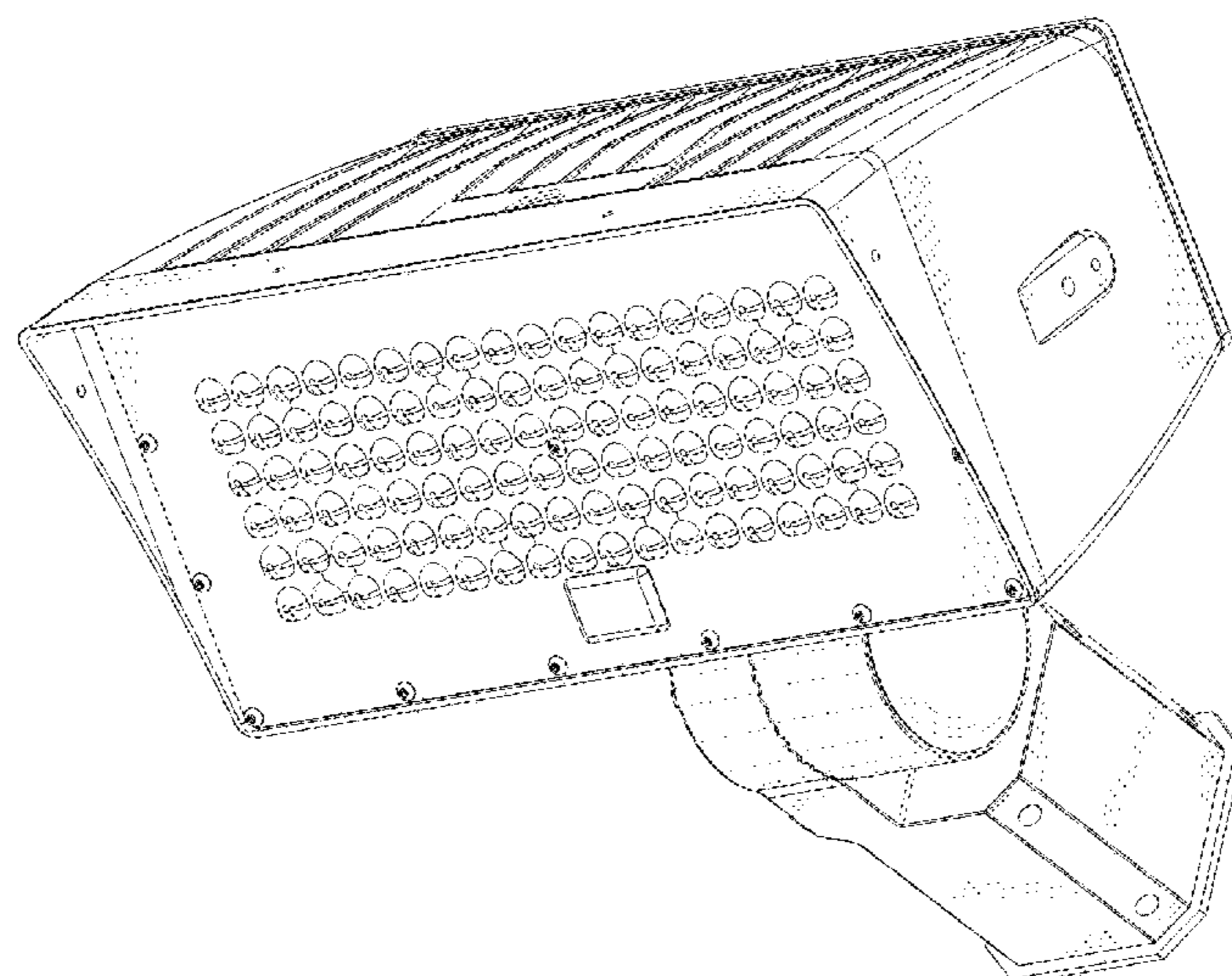
(57) **CLAIM**

The ornamental design for a floodlight, as shown and described.

**DESCRIPTION**

FIG. 1 is a perspective view of a floodlight showing a new design;  
FIG. 2 is a front elevation view thereof;  
FIG. 3 is a rear elevation view thereof;  
FIG. 4 is a left side elevation view thereof;  
FIG. 5 is a right side elevation view thereof;  
FIG. 6 is a top plan view thereof;  
FIG. 7 is a bottom plan view thereof;  
FIG. 8 is a perspective view of the floodlight showing an alternate configuration;  
FIG. 9 is a front elevation view thereof;  
FIG. 10 is a rear elevation view thereof;  
FIG. 11 is a left side elevation view thereof;  
FIG. 12 is a right side elevation view thereof;  
FIG. 13 is a top plan view thereof; and,  
FIG. 14 is a bottom plan view thereof.

**1 Claim, 14 Drawing Sheets**



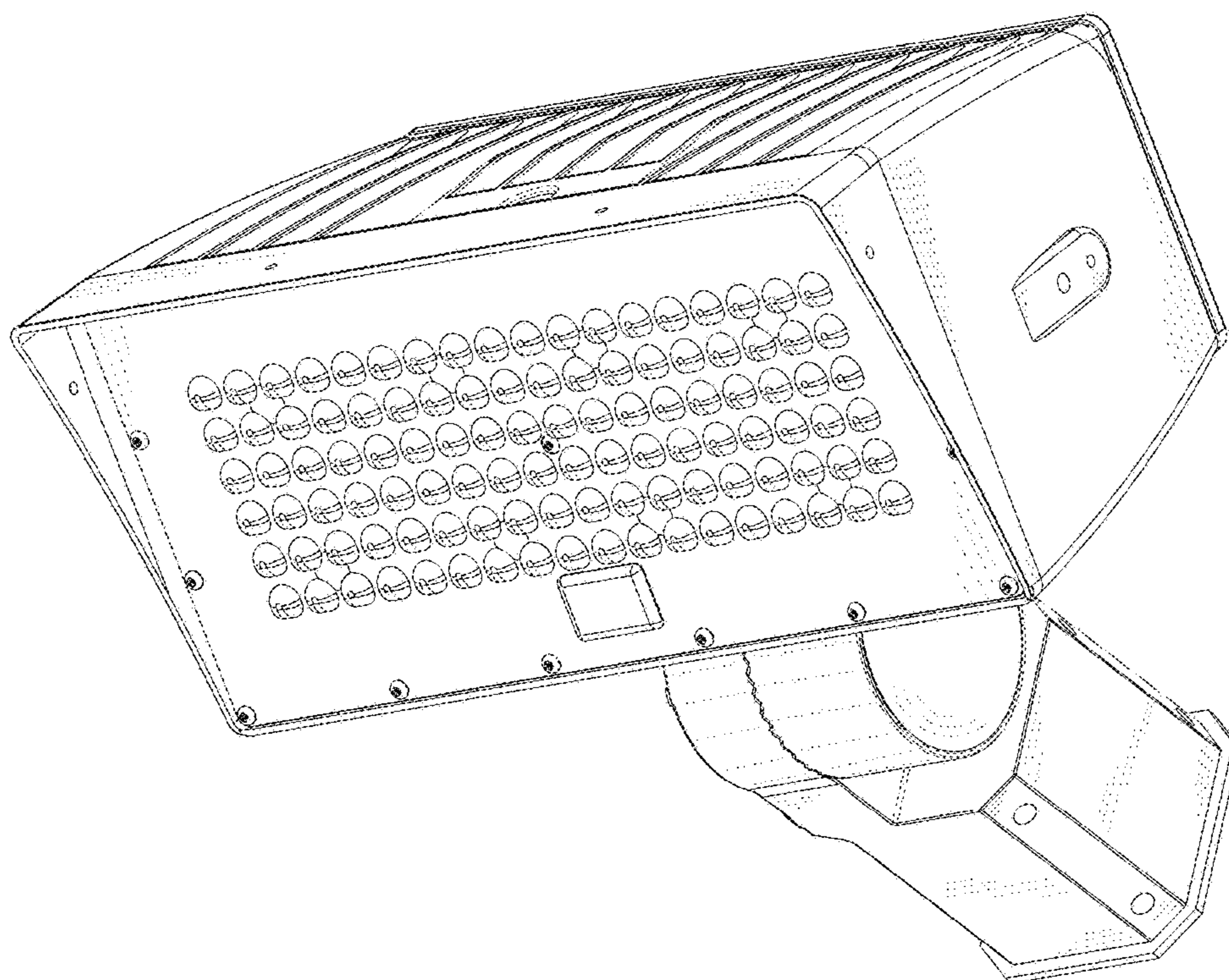


FIG. 1

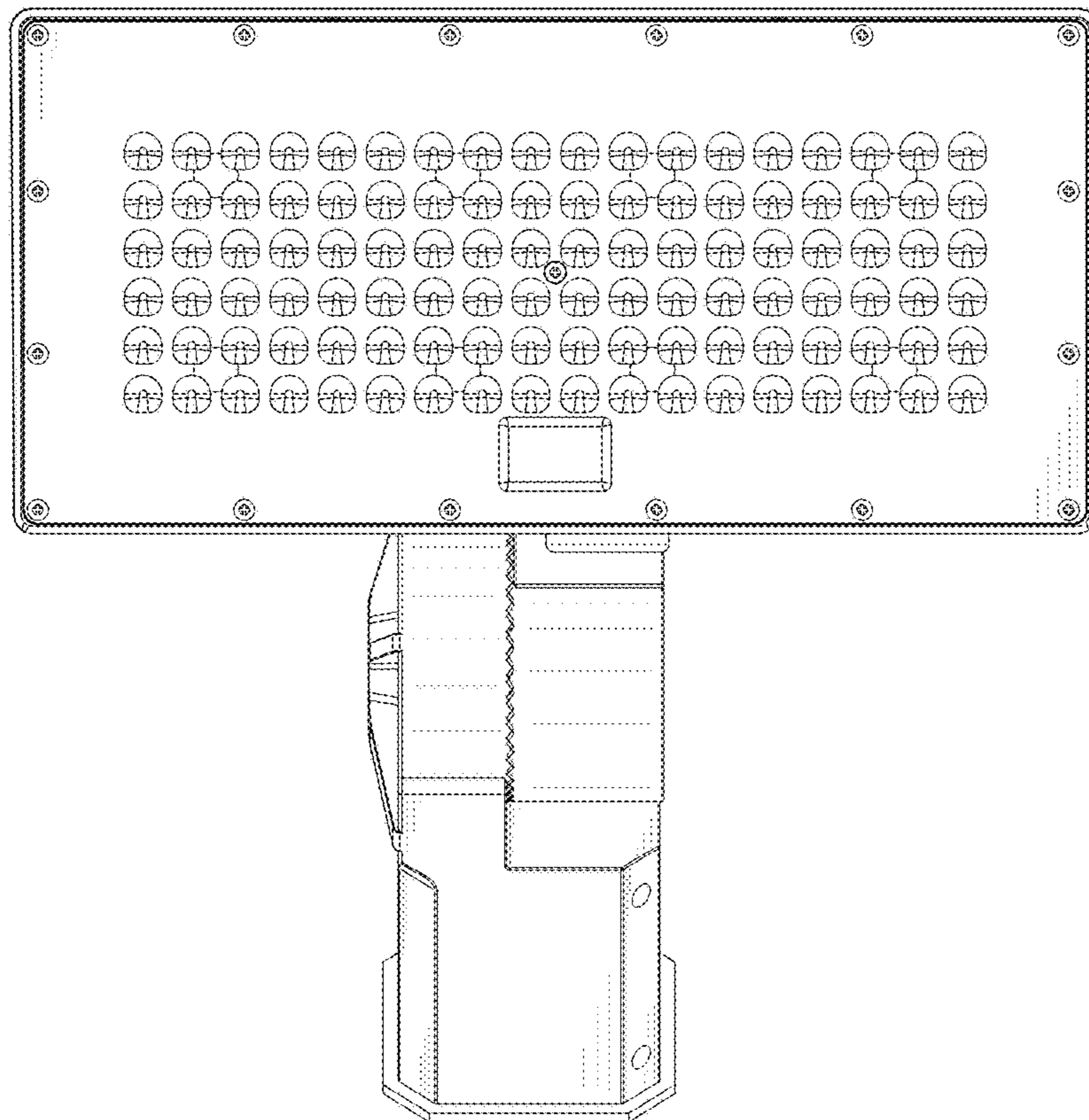


FIG. 2

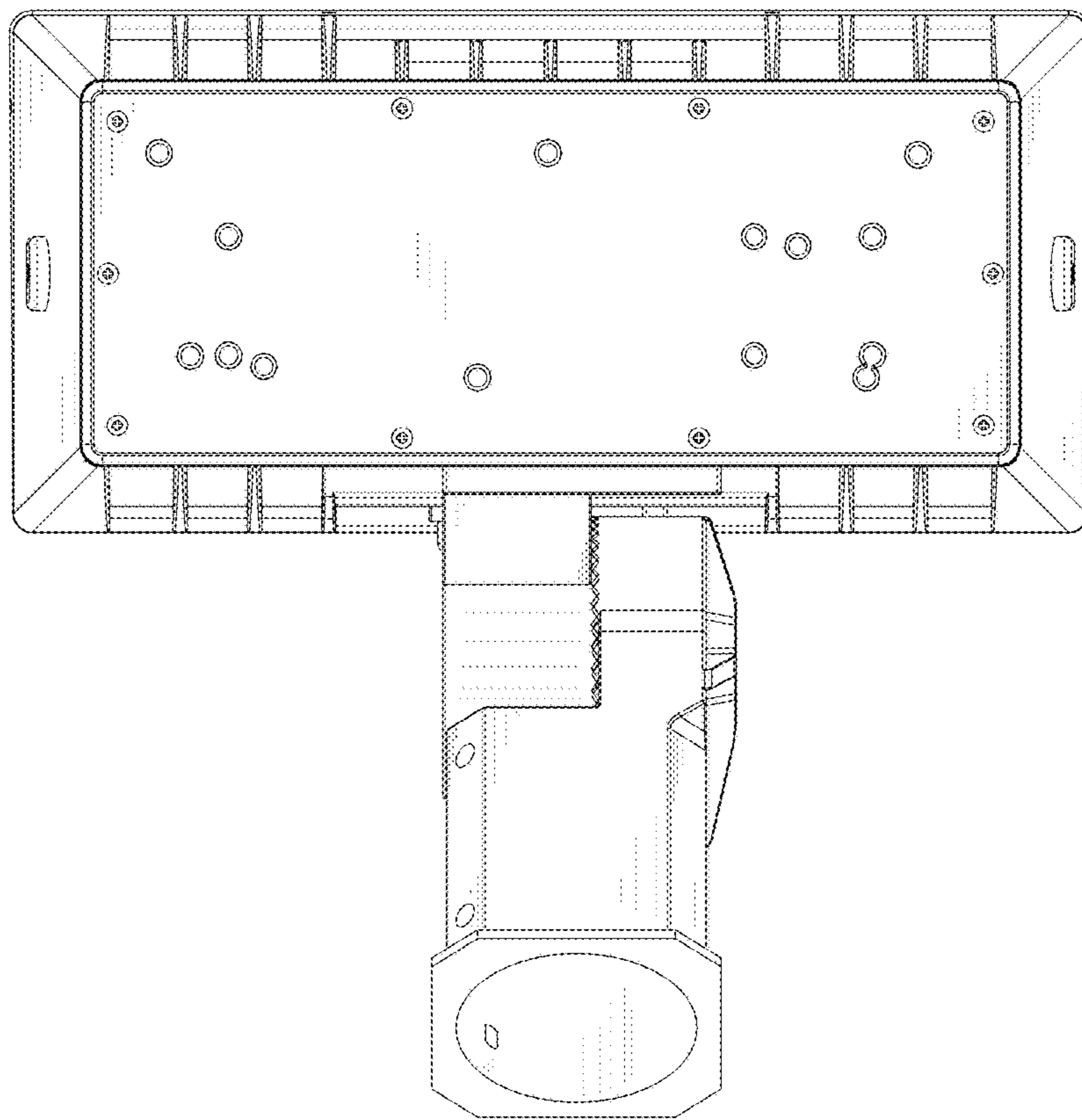


FIG.3

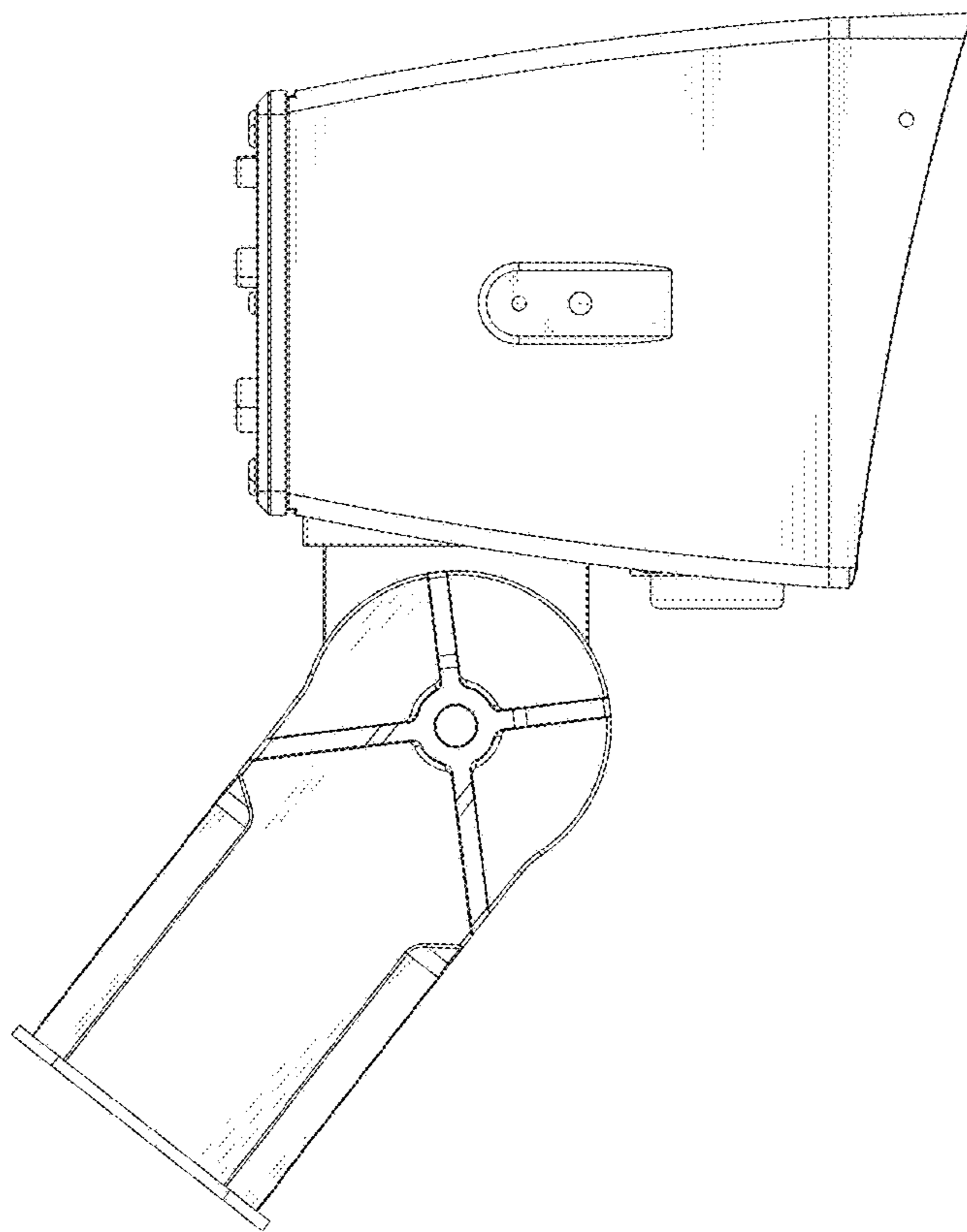


FIG.4

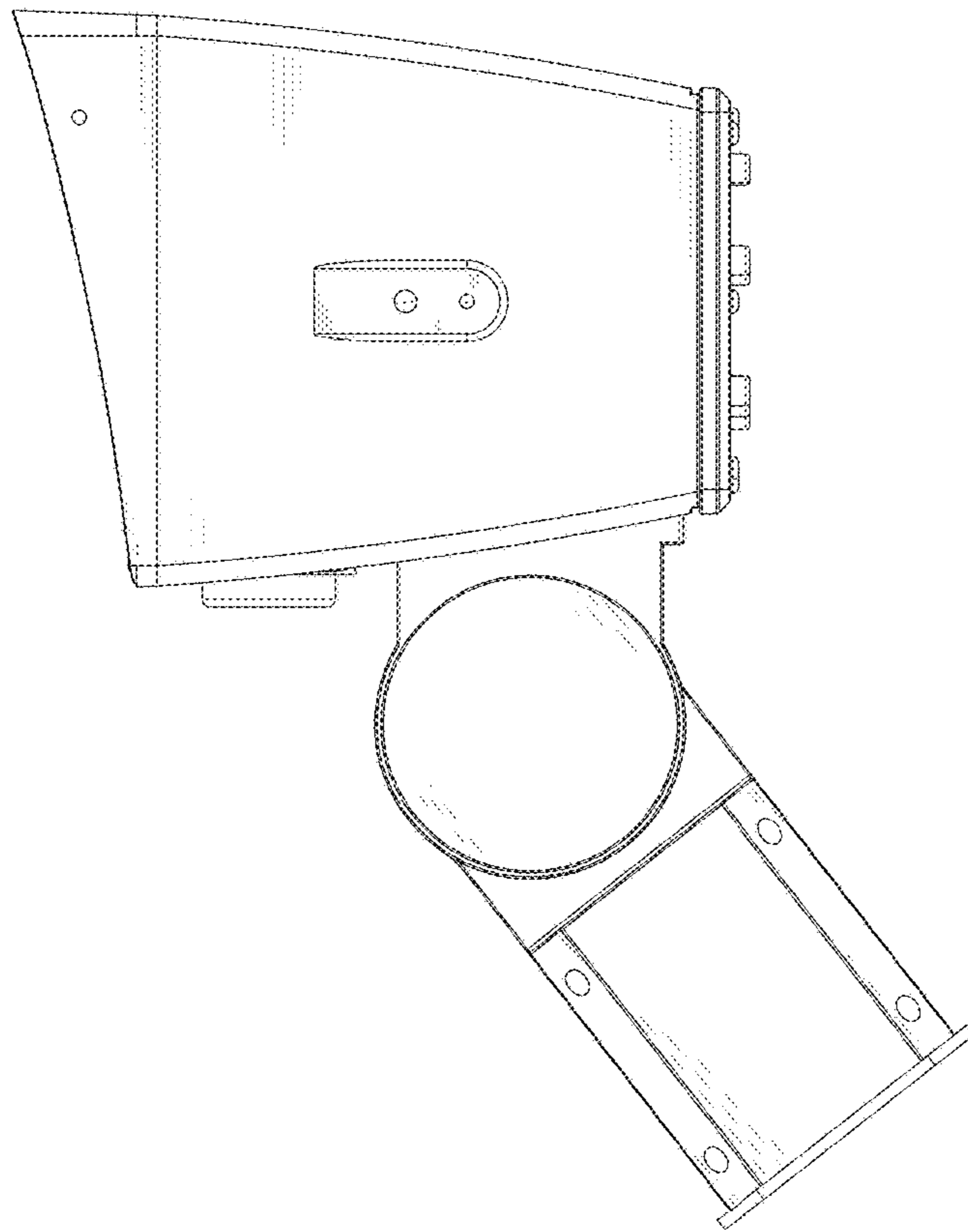


FIG. 5

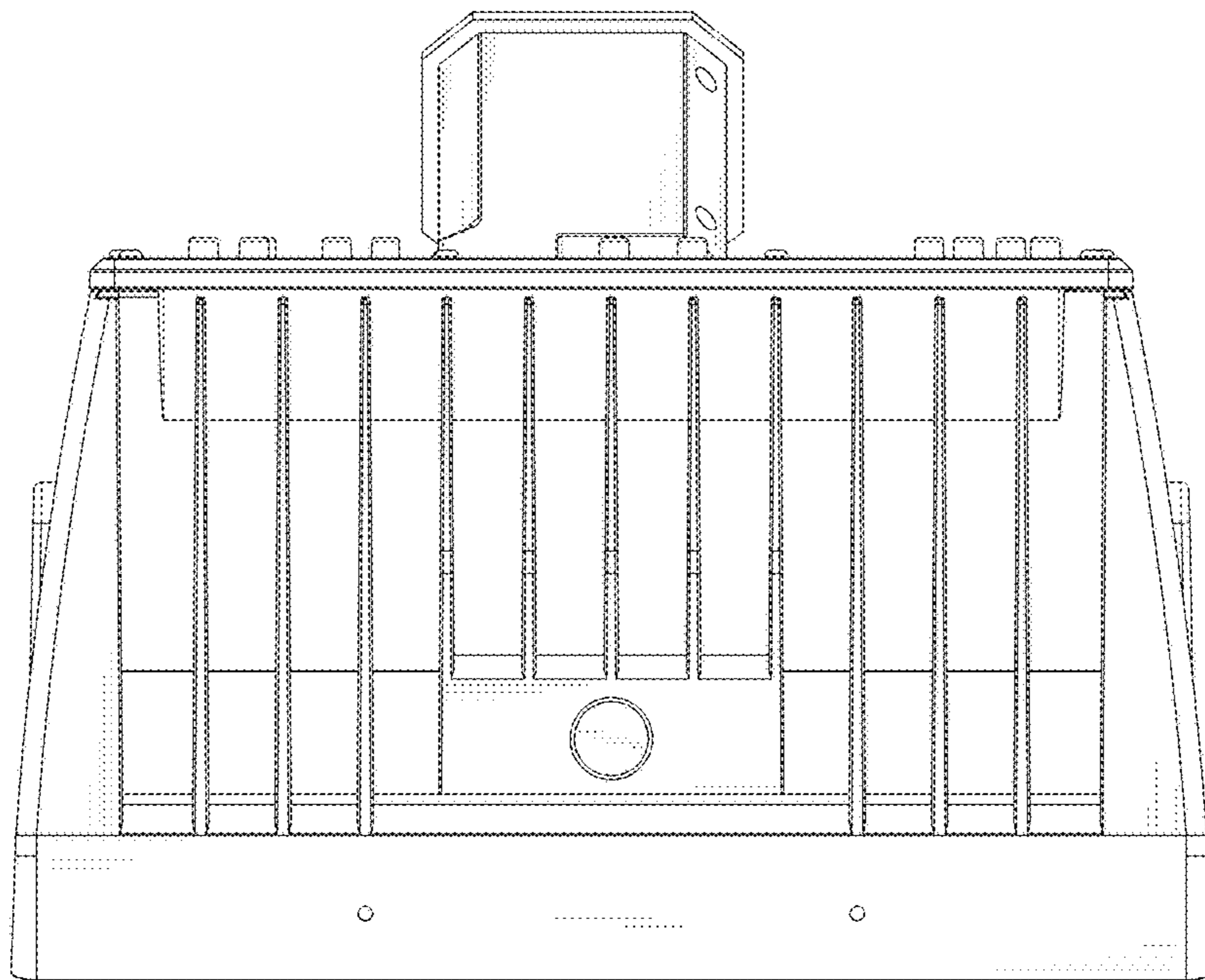


FIG.6

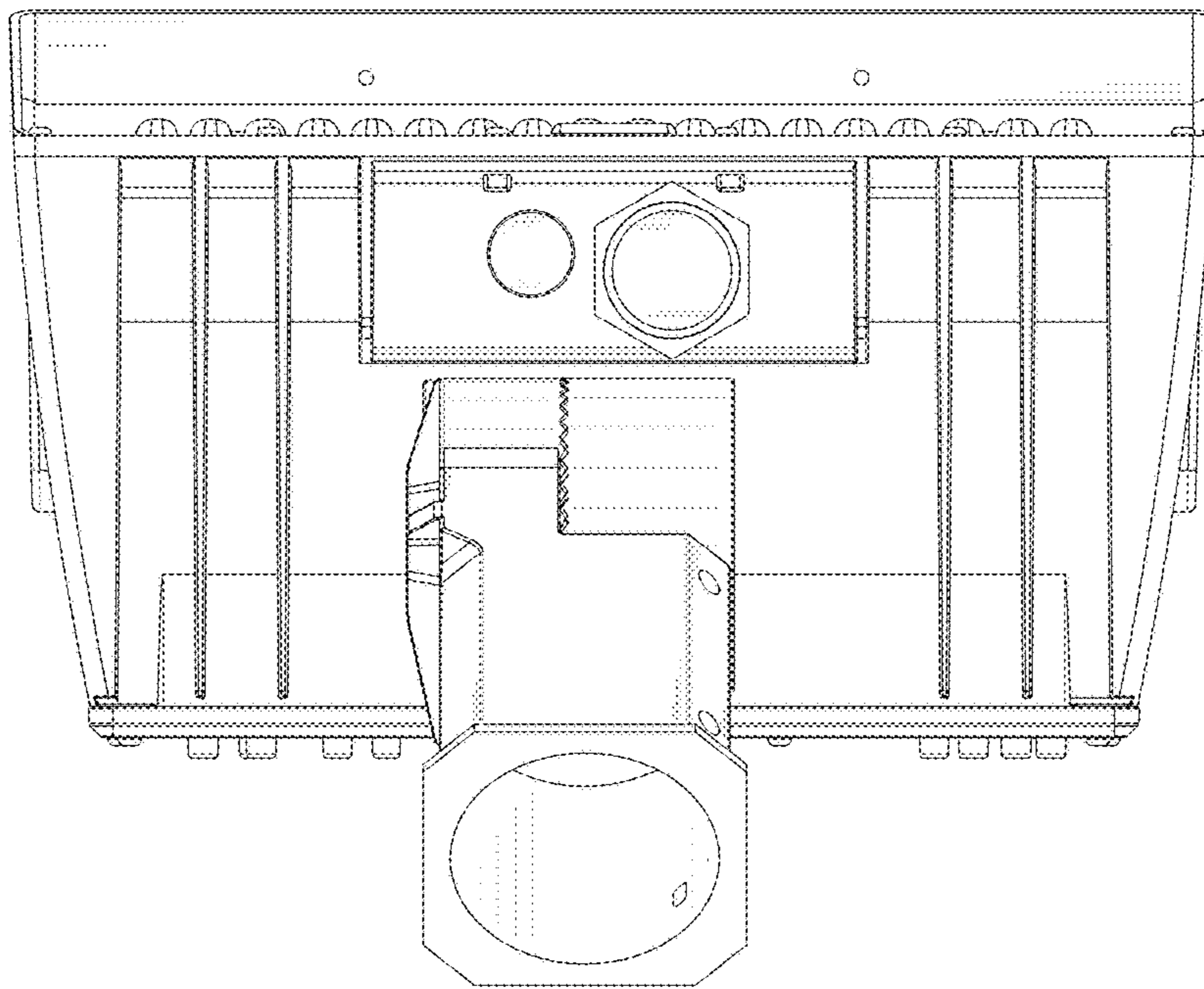


FIG.7



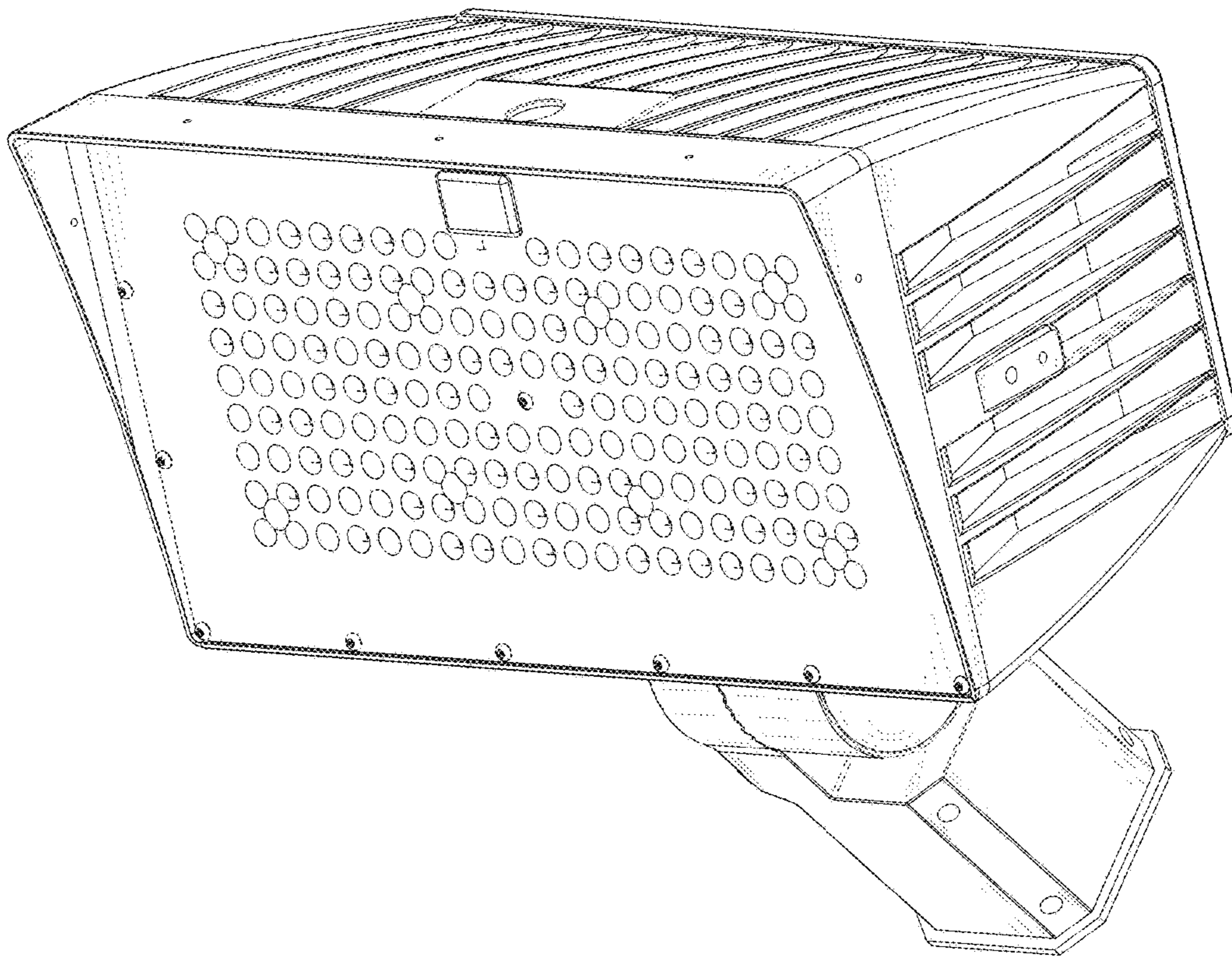


FIG.8

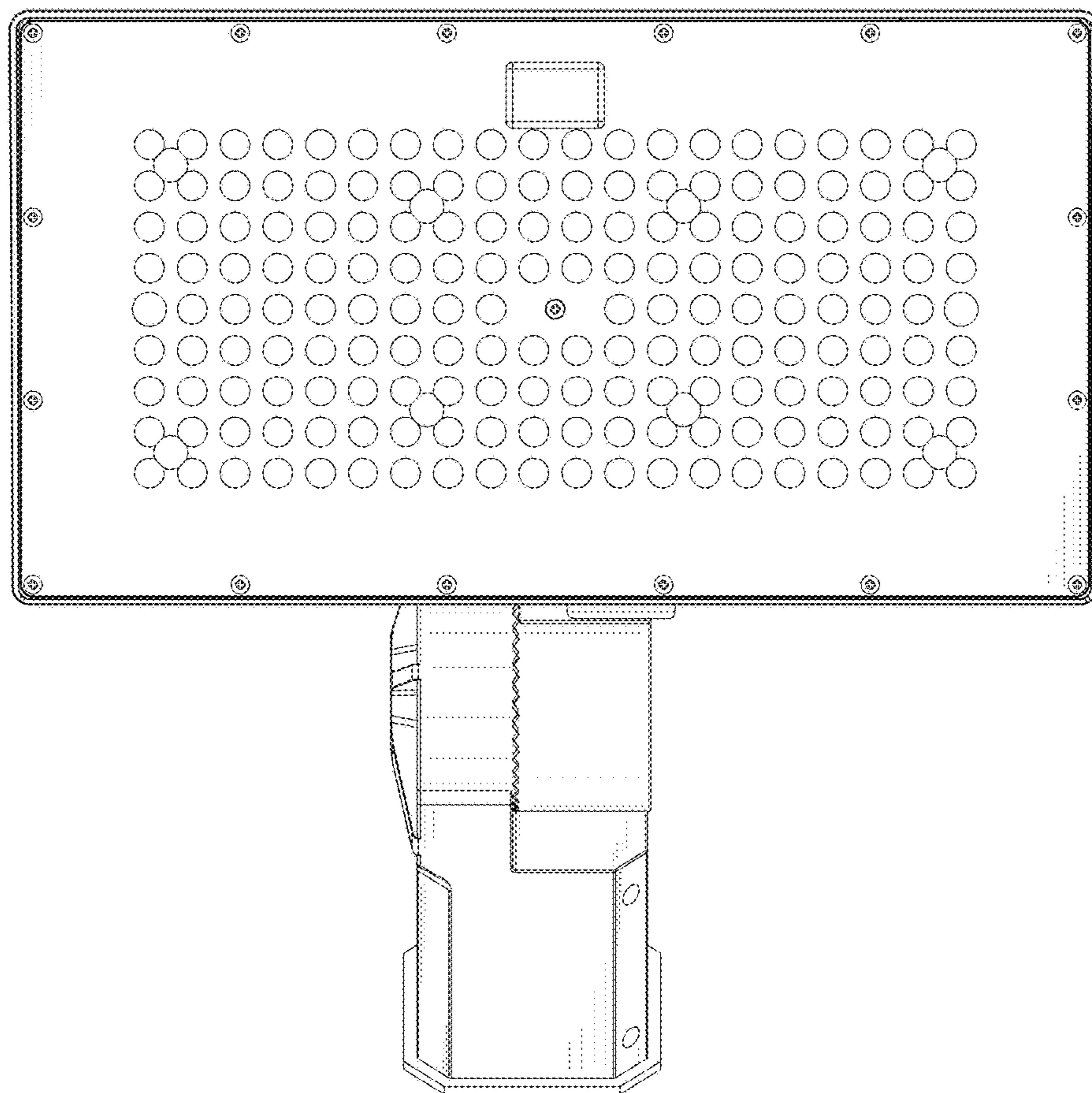


FIG.9

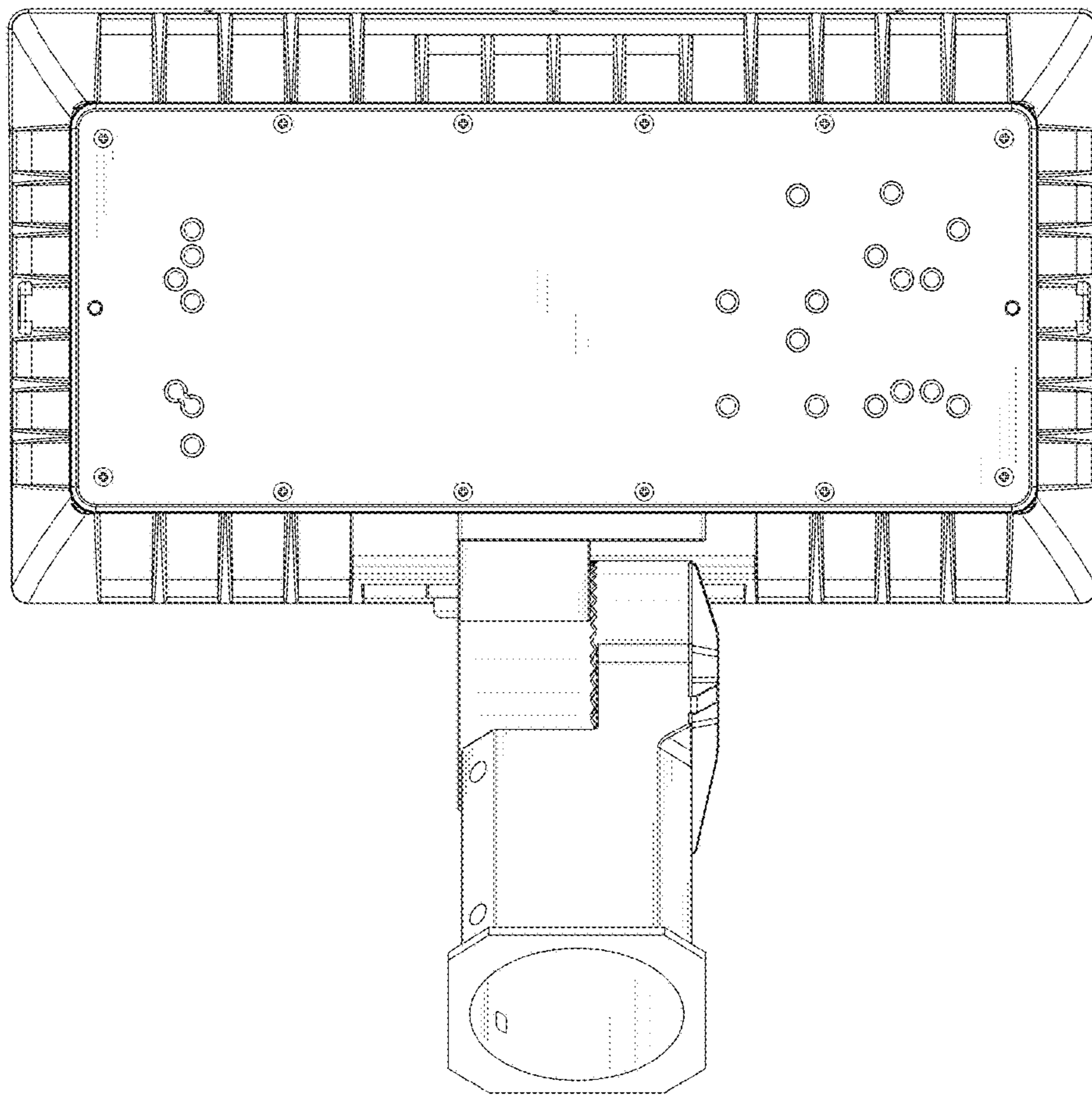


FIG.10

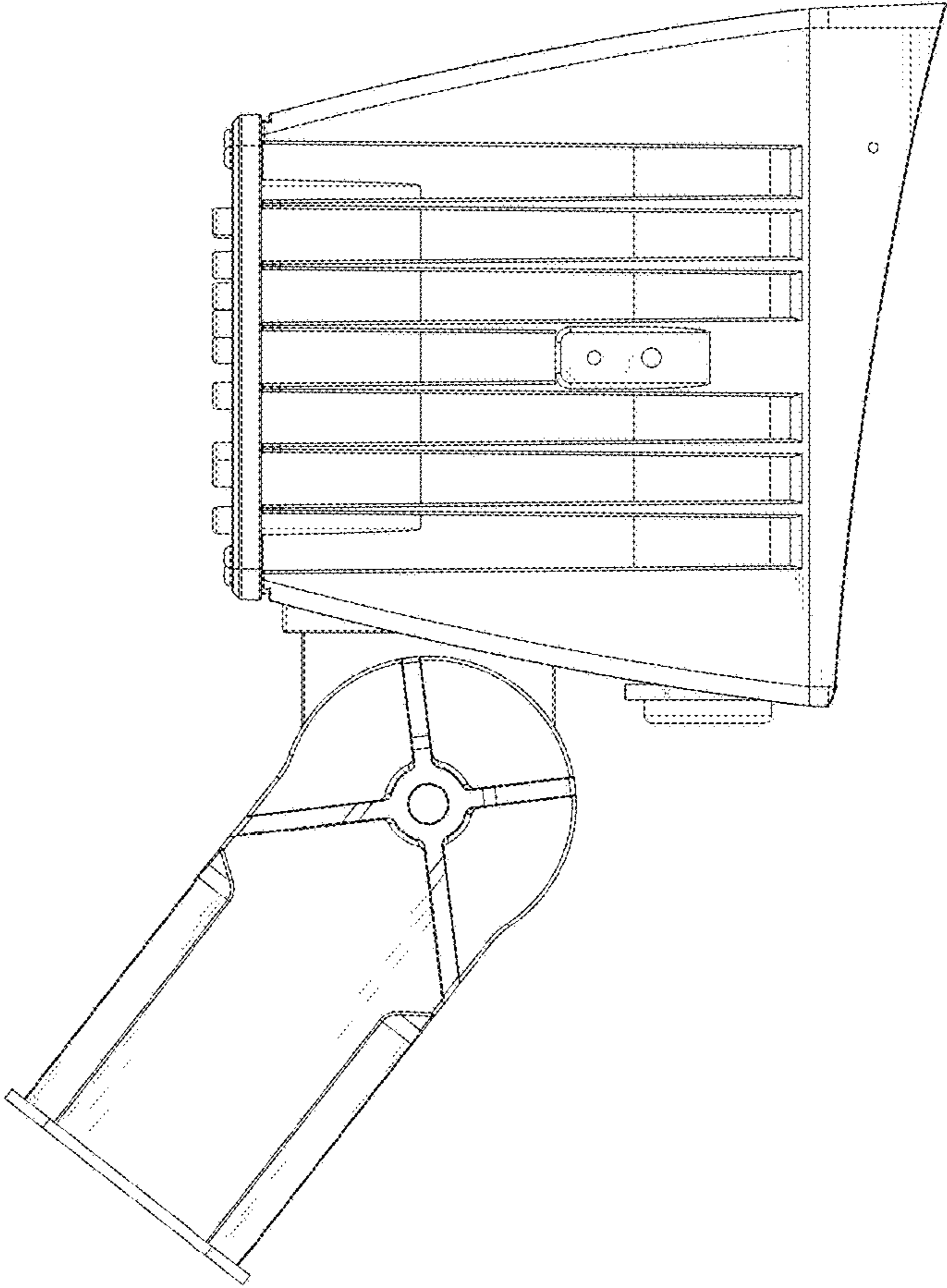


FIG.11

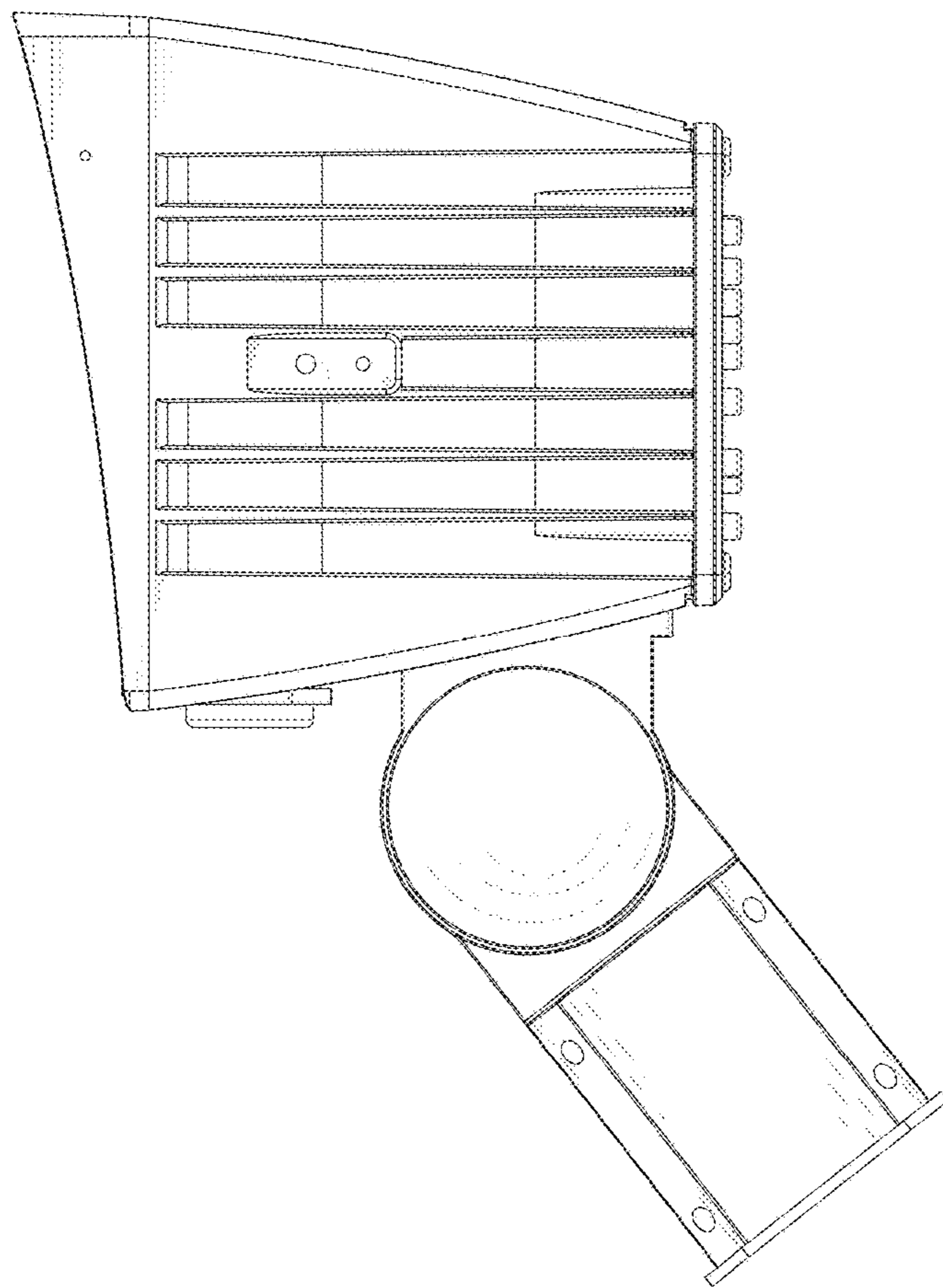


FIG. 12

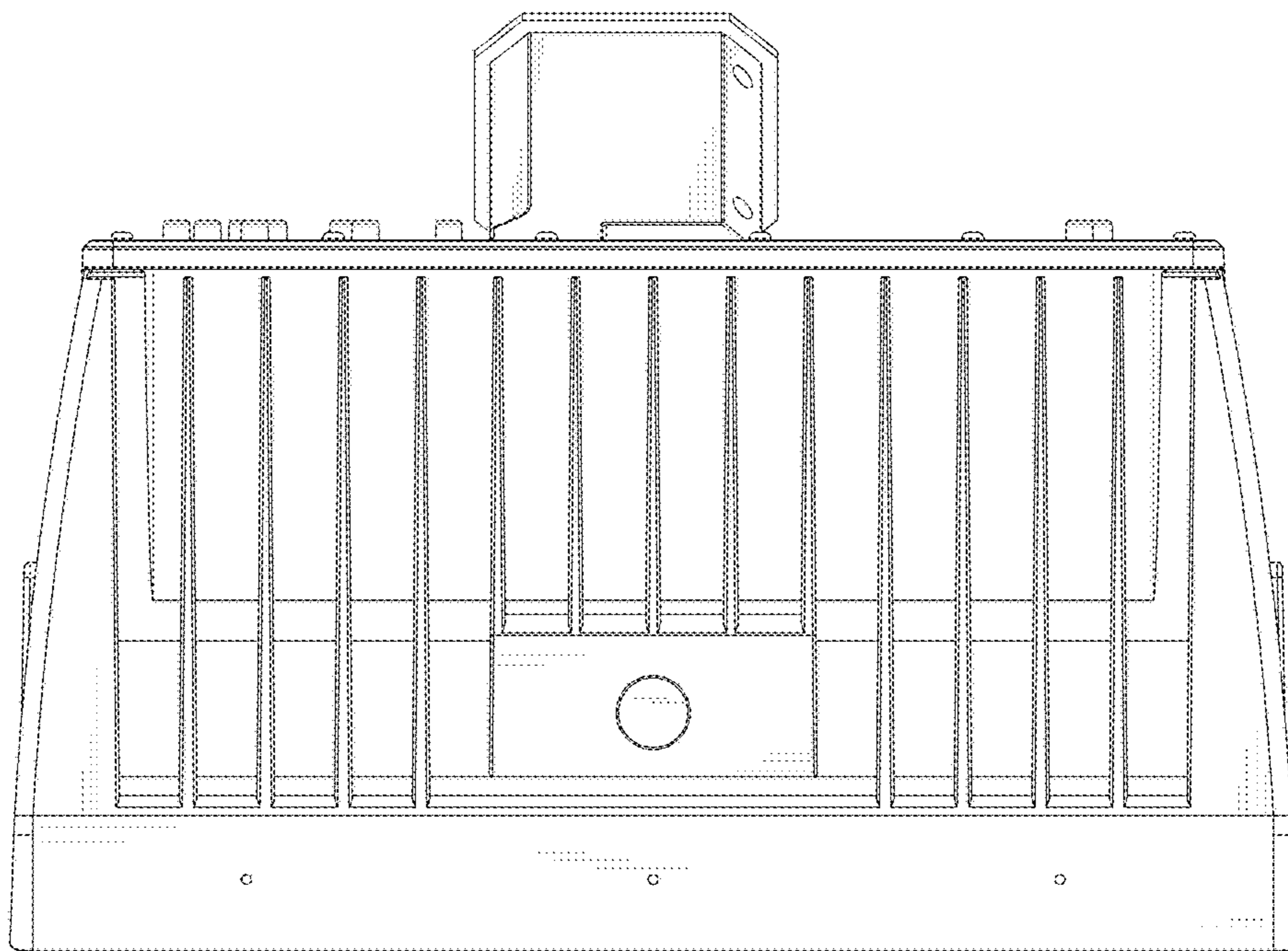


FIG.13

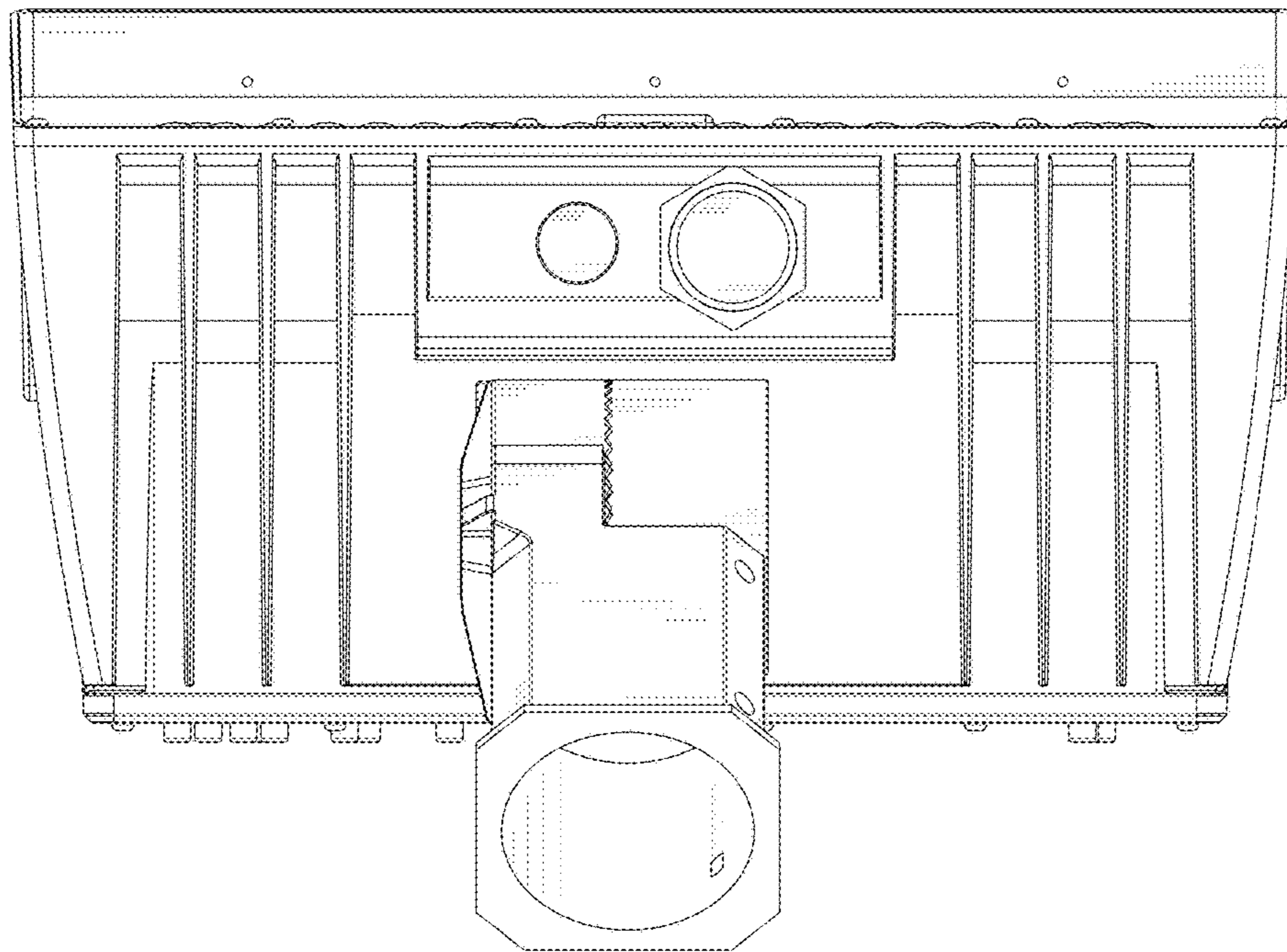


FIG. 14