



US00D853001S

(12) **United States Design Patent** (10) **Patent No.:** **US D853,001 S**  
**Toledo** (45) **Date of Patent:** **\*\* Jul. 2, 2019**

(54) **PORTABLE USB LIGHT TUBE**  
(71) Applicant: **ALTEN, LLC**, Salt Lake City, UT (US)  
(72) Inventor: **David Toledo**, Salt Lake City, UT (US)  
(73) Assignee: **POWER PRACTICAL, INC.**, Salt Lake City, UT (US)  
(\*\*) Term: **15 Years**

(21) Appl. No.: **29/566,612**  
(22) Filed: **Jun. 1, 2016**  
(51) **LOC (11) Cl.** ..... **26-02**  
(52) **U.S. Cl.**  
USPC ..... **D26/38**  
(58) **Field of Classification Search**  
USPC ..... D26/37-51, 1  
CPC ..... F21L 2003/00; F21L 4/00; F21L 4/005;  
F21L 4/02; F21L 4/025; F21L 4/027;  
F21L 4/04; F21L 4/08; F21L 2005/00;  
F21L 7/00; F21L 11/00; F21L 13/00;  
F21L 13/04; F21L 13/08; F21L 14/02;  
F21L 17/00; F21L 19/00; F21L 25/00  
See application file for complete search history.

(56) **References Cited**  
U.S. PATENT DOCUMENTS  
D513,082 S \* 12/2005 Hoshikawa ..... D26/1  
D541,690 S \* 5/2007 Schrimmer ..... D11/3  
D590,530 S \* 4/2009 Tsai ..... D26/51  
D603,542 S \* 11/2009 Moss ..... D26/51  
D722,717 S \* 2/2015 Wang ..... D26/51  
D726,942 S \* 4/2015 Kovac ..... D26/39  
D732,216 S \* 6/2015 Wiedenmann ..... D26/51  
D740,476 S \* 10/2015 Kushner ..... D26/51  
D742,564 S \* 11/2015 Walterscheid ..... D26/24  
D779,695 S \* 2/2017 Kimball ..... D26/51  
D798,473 S \* 9/2017 Huang ..... D26/1  
D810,978 S \* 2/2018 Windom ..... D26/38  
D828,587 S \* 9/2018 Kelly ..... D26/25  
(Continued)

Primary Examiner — Lakiya G Rogers  
Assistant Examiner — Carissa C Fitts  
(74) Attorney, Agent, or Firm — Lathrop Gage LLP

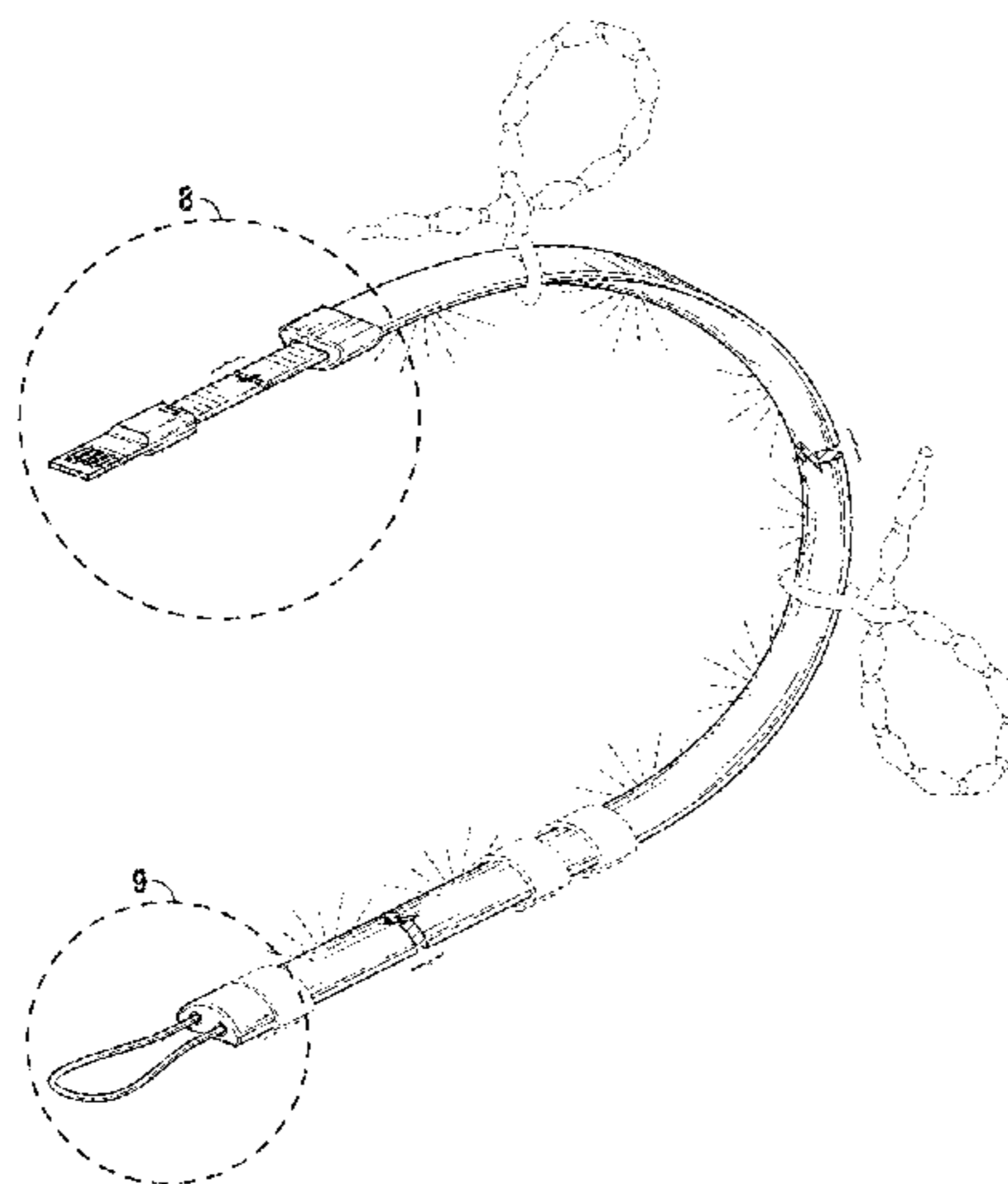
(57) **CLAIM**

The ornamental design for a portable USB light tube, as shown and described.

**DESCRIPTION**

FIG. 1 is a perspective view of a portable USB light tube showing my new design;  
FIG. 2 is a bottom view of the portable USB light tube of FIG. 1;  
FIG. 3 is a bottom plan view of the portable USB light tube of FIG. 1;  
FIG. 4 is a top plan view of the portable USB light tube of FIG. 1;  
FIG. 5 is a left side view of the portable USB light tube of FIG. 1, with the right side view being a mirror image thereof;  
FIG. 6 is an elevation view showing a first end of the portable USB light tube of FIG. 1;  
FIG. 7 is an elevation view showing a second end of the portable USB light tube of FIG. 1;  
FIG. 8 is a close up perspective view of the first end of the portable USB light tube of FIG. 1;  
FIG. 9 is a close up perspective view of the second end of the portable USB light tube of FIG. 1; and,  
FIG. 10 is a cross sectional view of a lighting portion of the portable USB light tube of FIG. 1.  
The break lines have been applied to the drawings in FIGS. 1-5, 8 to show undefined length. The appearance of any portion of the portable USB light tube between the break lines forms no part of the claimed design. The broken lines which appear throughout the drawing disclosure form no part of the claimed design.

**1 Claim, 5 Drawing Sheets**



(56)

**References Cited**

U.S. PATENT DOCUMENTS

2007/0081324 A1\* 4/2007 Schrimmer ..... G02C 11/02  
362/103

\* cited by examiner

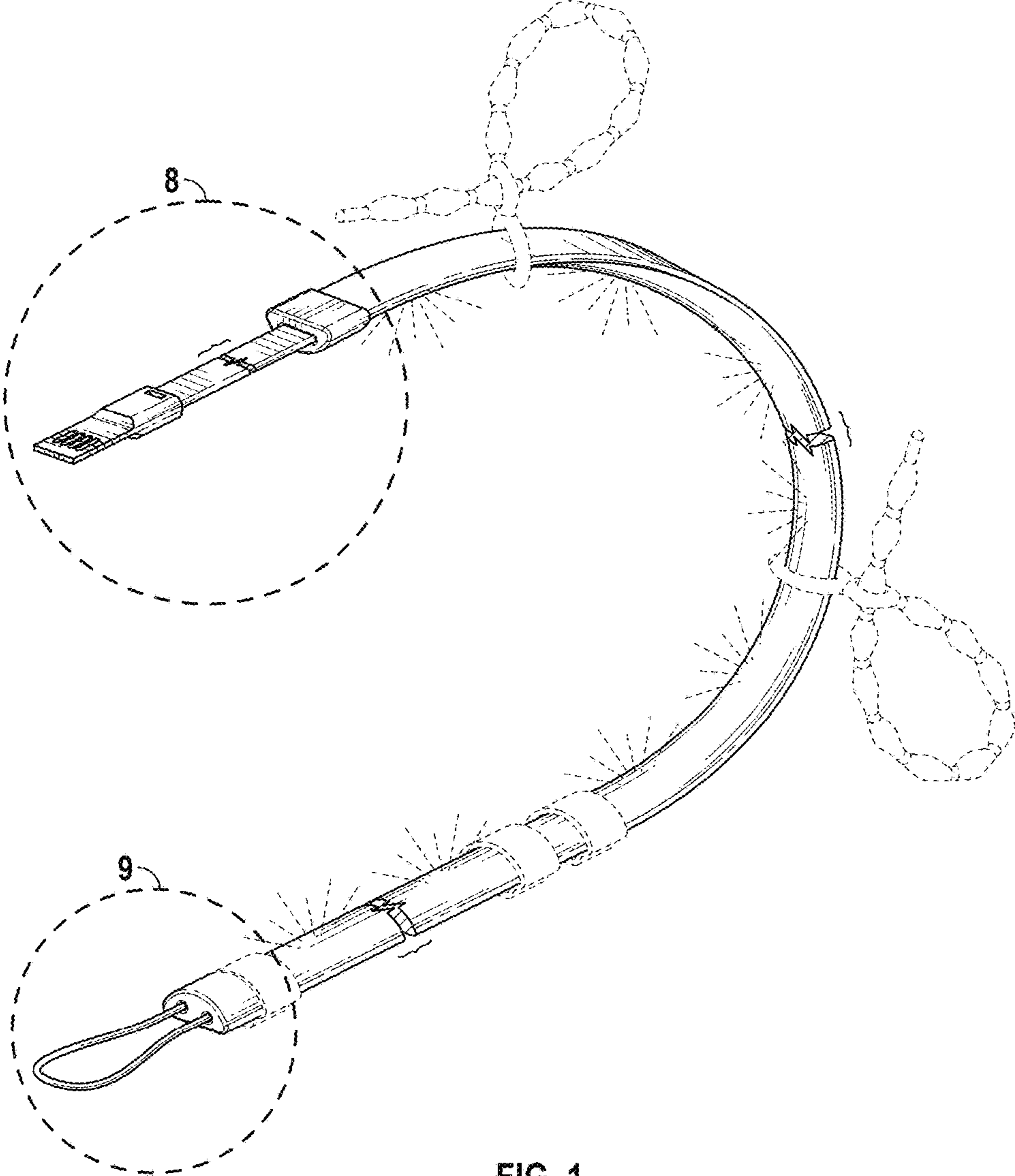


FIG. 1

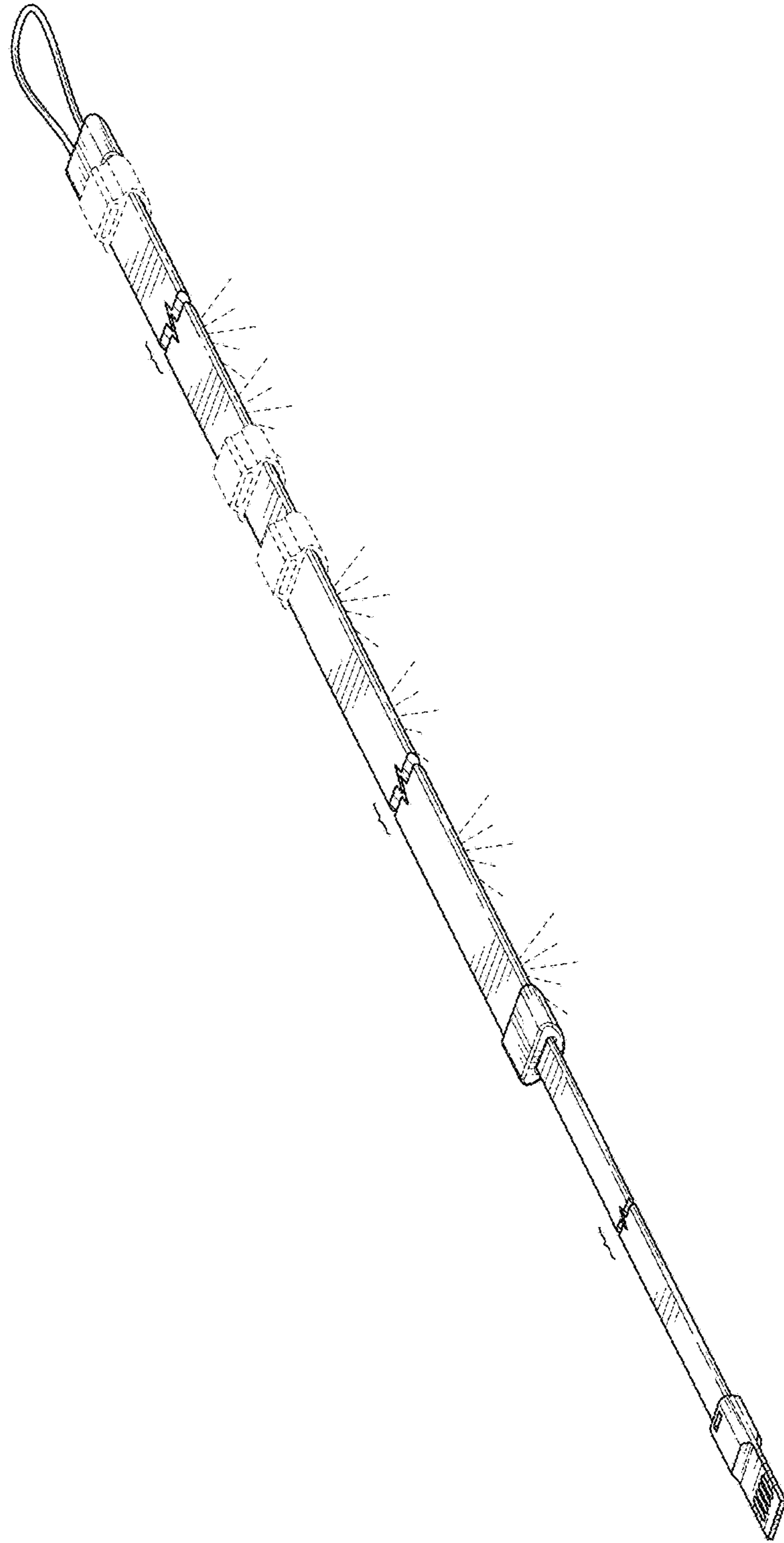


FIG. 2

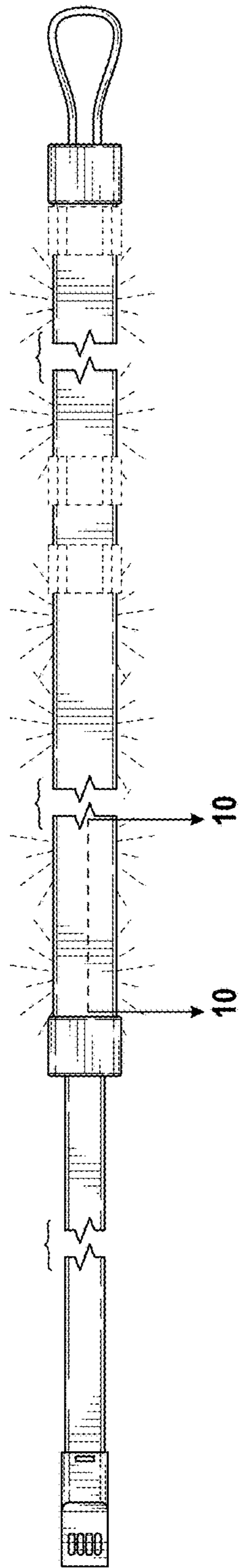


FIG. 3

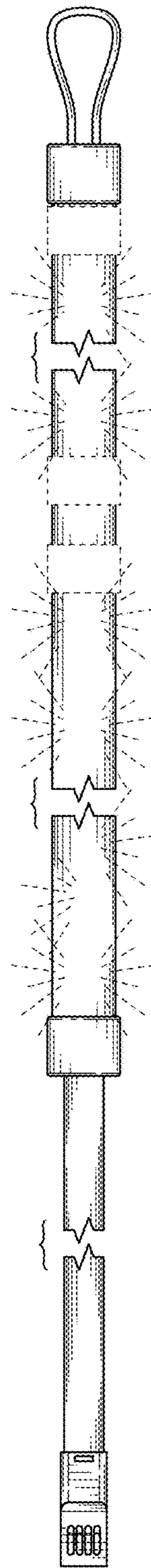


FIG. 4

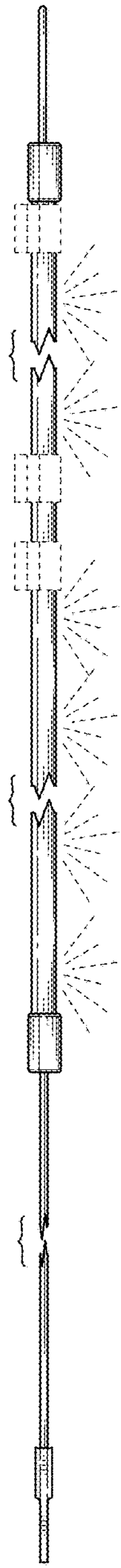


FIG. 5

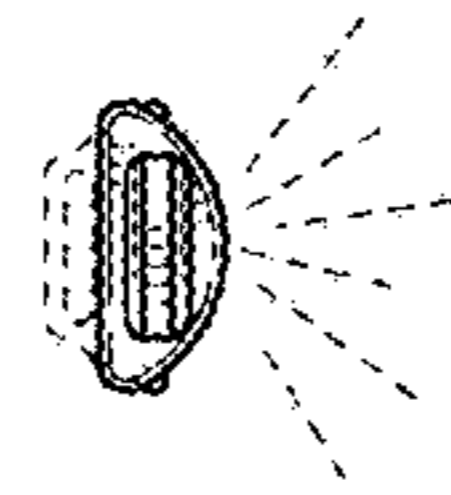


FIG. 6

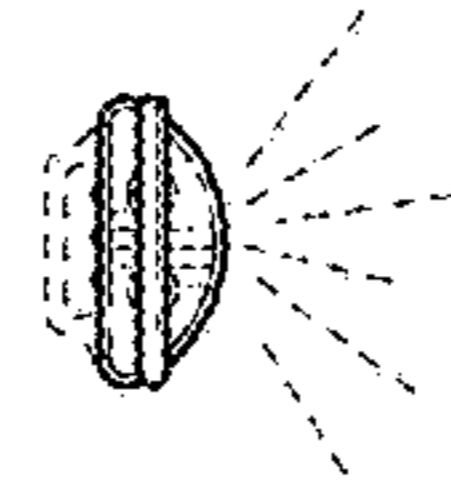


FIG. 7

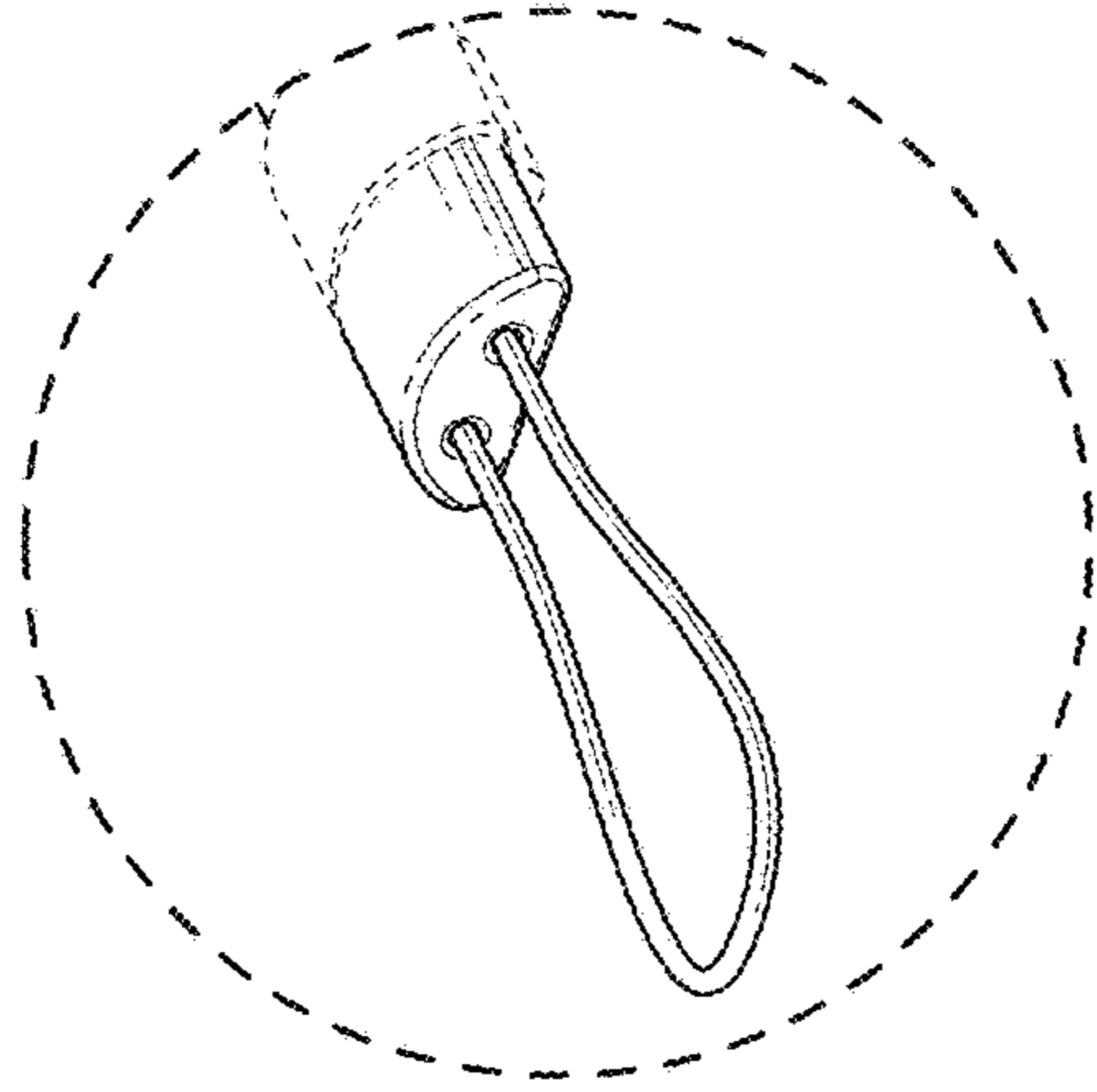


FIG. 9

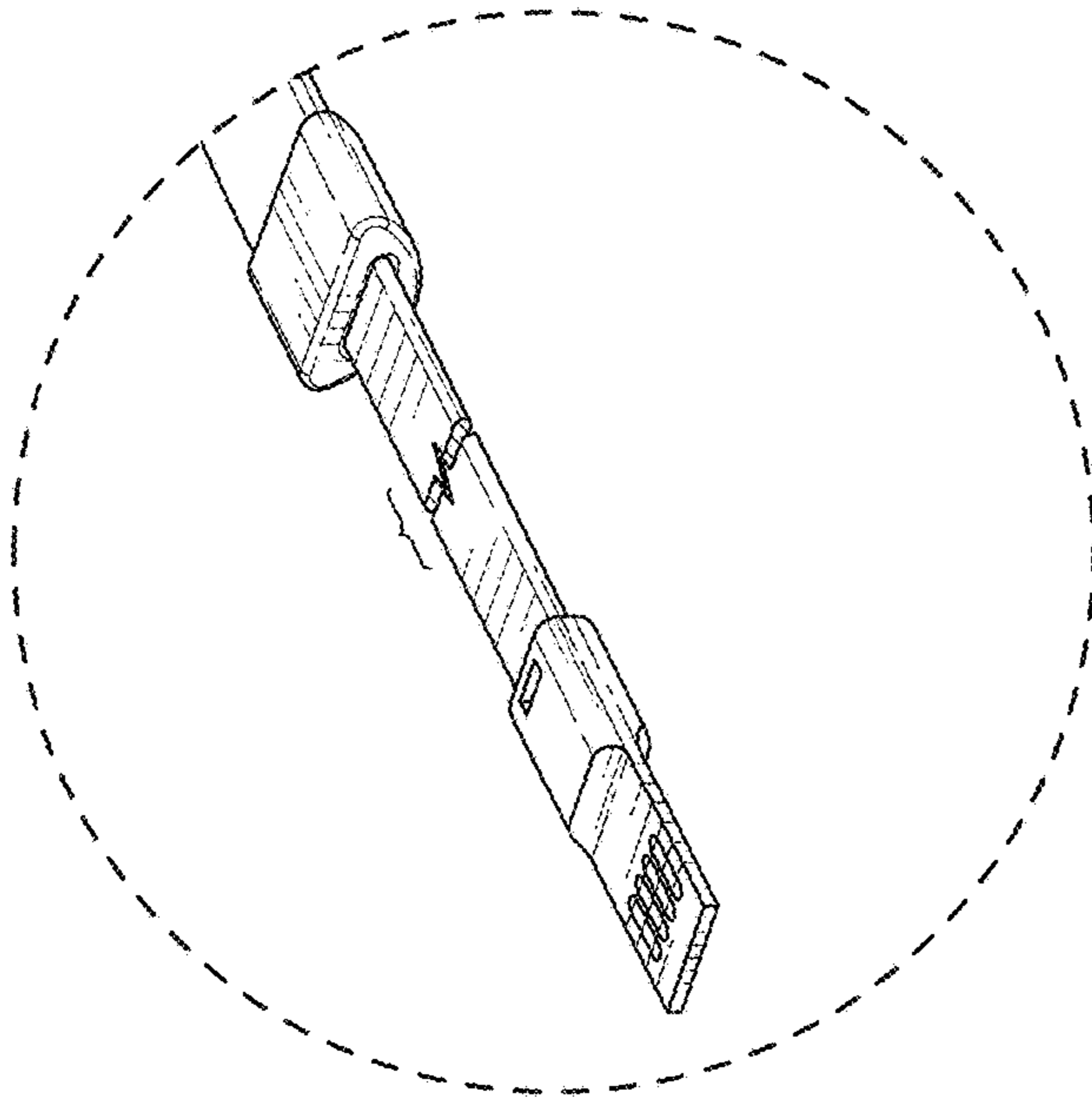


FIG. 8

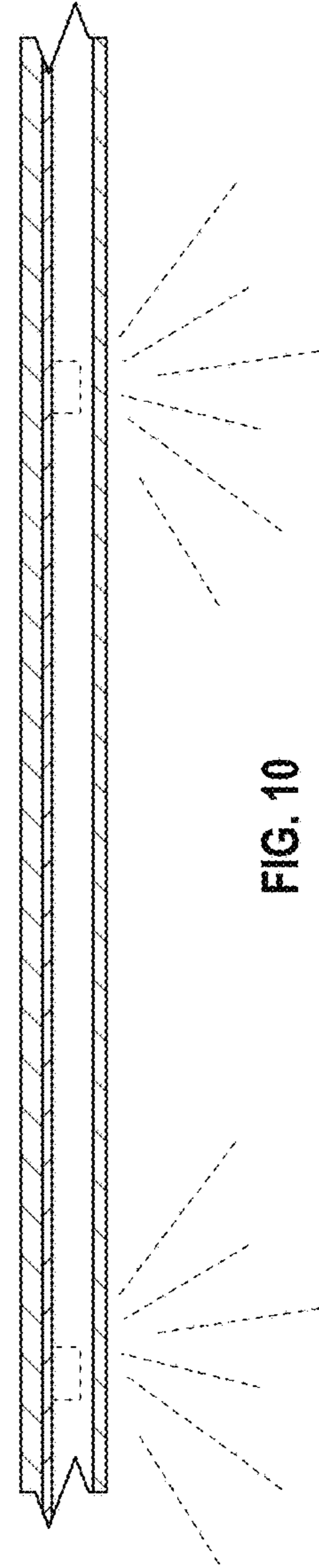


FIG. 10