



US00D852999S

(12) **United States Design Patent** (10) **Patent No.:** **US D852,999 S**
Allmendinger (45) **Date of Patent:** **** Jul. 2, 2019**

(54) **HEADLIGHT FOR A VEHICLE**
(71) Applicant: **Bayerische Motoren Werke Aktiengesellschaft, Munich (DE)**
(72) Inventor: **Georg Allmendinger, Munich (DE)**
(73) Assignee: **Bayerische Motoren Werke Aktiengesellschaft, Munich (DE)**
(**) Term: **15 Years**

D819,241 S * 5/2018 Werner D26/28
D824,058 S * 7/2018 Hong D26/28
D827,884 S * 9/2018 Hannemann D26/28
D827,885 S * 9/2018 Hannemann D26/28
D828,590 S * 9/2018 Hannemann D26/28
D835,313 S * 12/2018 Jung D26/28

FOREIGN PATENT DOCUMENTS

WO WO DM/064264 10/2003
WO WO DM/080366 9/2013
WO WO DM/095845 5/2018
WO WO DM/098388 5/2018

* cited by examiner

(21) Appl. No.: **29/646,417**
(22) Filed: **May 4, 2018**
(30) **Foreign Application Priority Data**

Primary Examiner — Angela J Lee
(74) *Attorney, Agent, or Firm* — Crowell & Moring LLP

Nov. 10, 2017 (DE) 40 2017 101 229
(51) **LOC (11) Cl.** **26-07**
(52) **U.S. Cl.**
USPC **D26/28**
(58) **Field of Classification Search**
USPC D26/28, 29, 30, 31, 32, 33, 34, 35, 36;
362/459-468, 475-478, 485-487
CPC F21S 48/00; F21S 48/10; F21S 48/115;
F21S 48/225; F21S 48/1233; F21S
48/1266; F21S 48/1388; F21S 48/2268;
F21V 21/04
See application file for complete search history.

(57) **CLAIM**

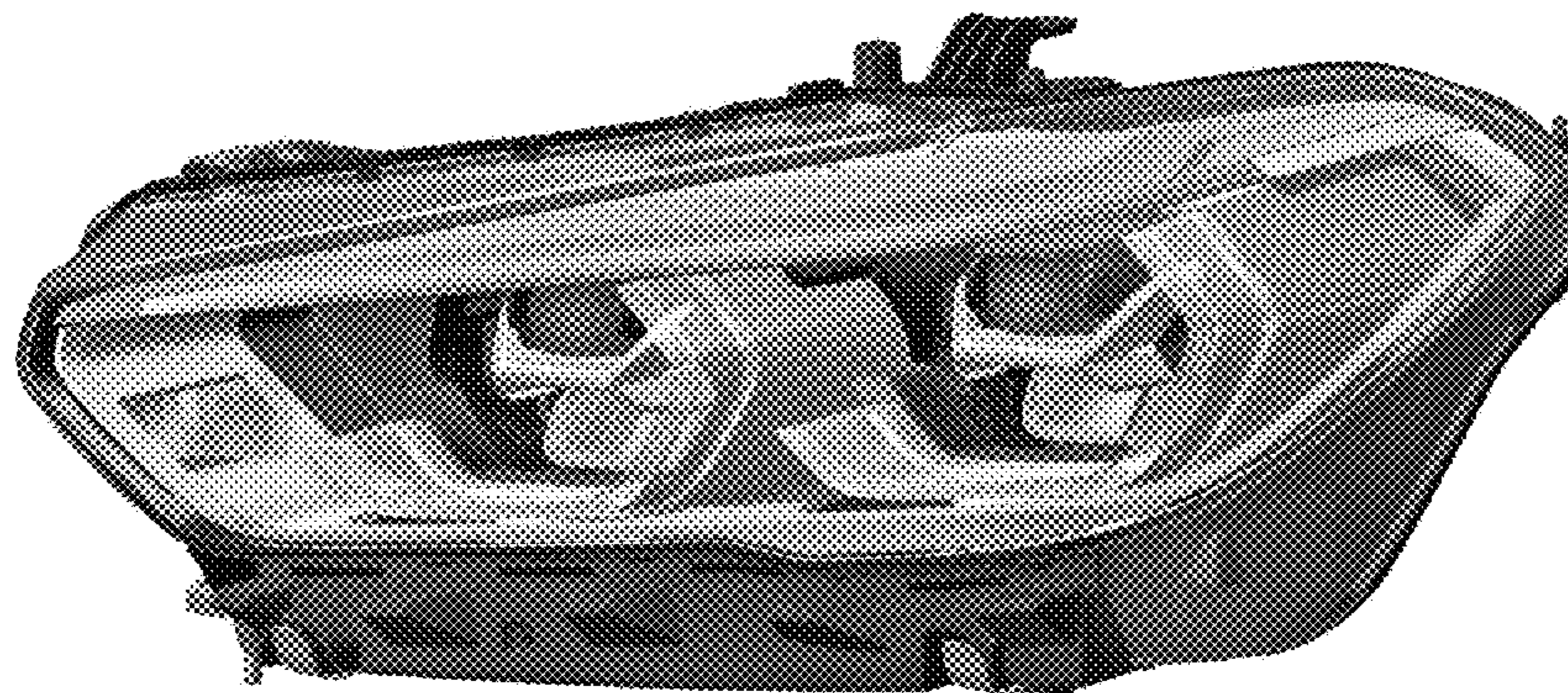
The ornamental design for a headlight for a vehicle, as shown and described.

DESCRIPTION

This application contains subject matter related to the following co-pending U.S. design patent applications: Application Ser. No. 29/602,951, filed May 5, 2017 and entitled "Headlight for a Vehicle"; Application Ser. No. 29/624,712, filed Nov. 3, 2017 and entitled "Headlight for a Vehicle"; and Application Ser. No. 29/646,416, filed herewith and entitled "Headlight for a Vehicle".
FIG. 1 is a front view of a headlight for a vehicle according to the design;
FIG. 2 is a right perspective view thereof;
FIG. 3 is a left perspective view thereof;
FIG. 4 is a right side view thereof;
FIG. 5 is a left side view thereof;
FIG. 6 is a top view thereof;
FIG. 7 is a bottom view thereof; and,
FIG. 8 is a rear view thereof.

(56) **References Cited**
U.S. PATENT DOCUMENTS
D634,868 S * 3/2011 Matei D26/28
D723,724 S 3/2015 Johnson
D743,065 S * 11/2015 Weil D26/28
D762,314 S 7/2016 Luk
D762,894 S * 8/2016 Luk D26/28
D767,176 S * 9/2016 Faghihzadeh D26/28
D767,177 S * 9/2016 Faghihzadeh D26/28
D802,182 S * 11/2017 Hannemann D26/28

1 Claim, 8 Drawing Sheets



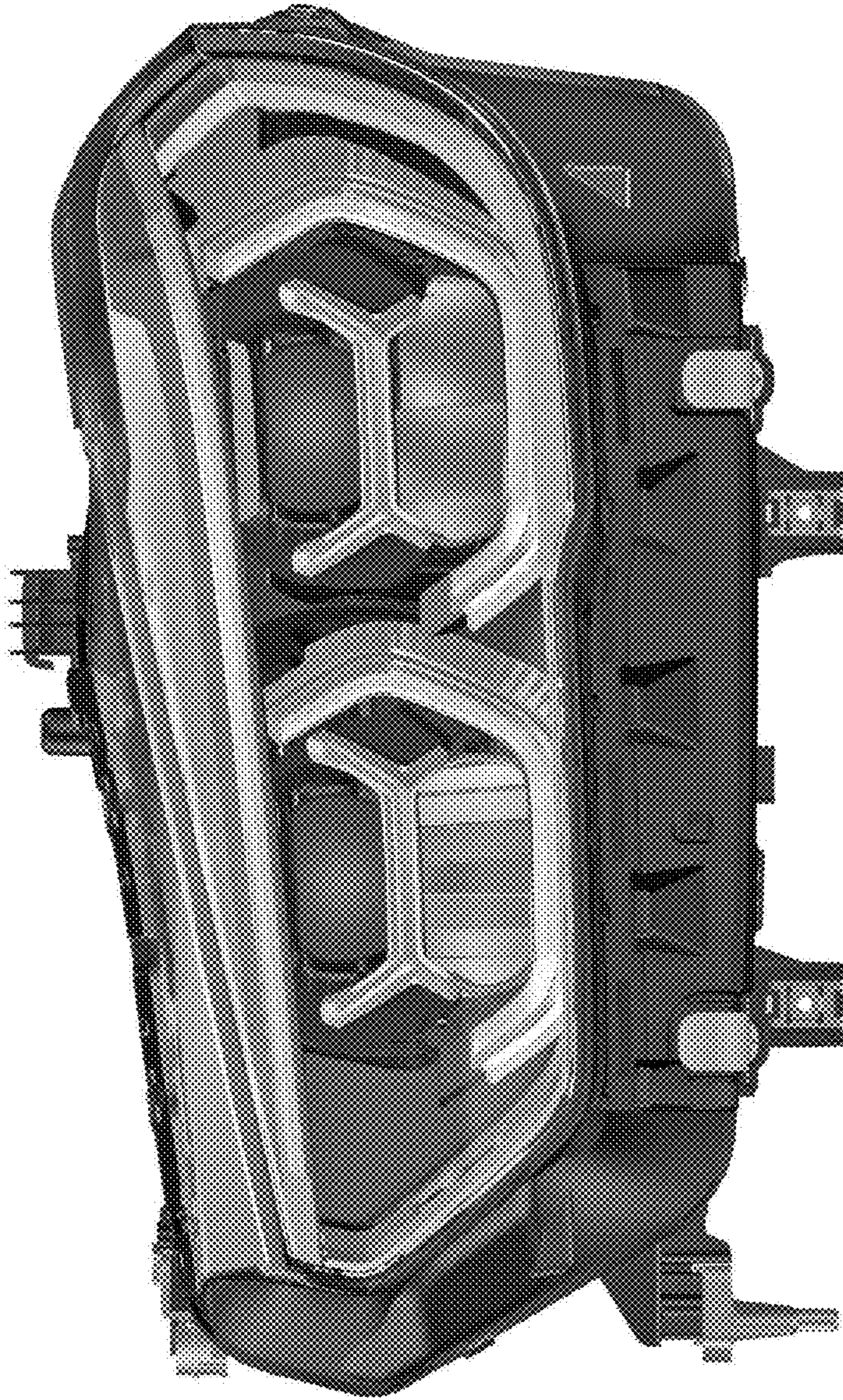


Fig. 1

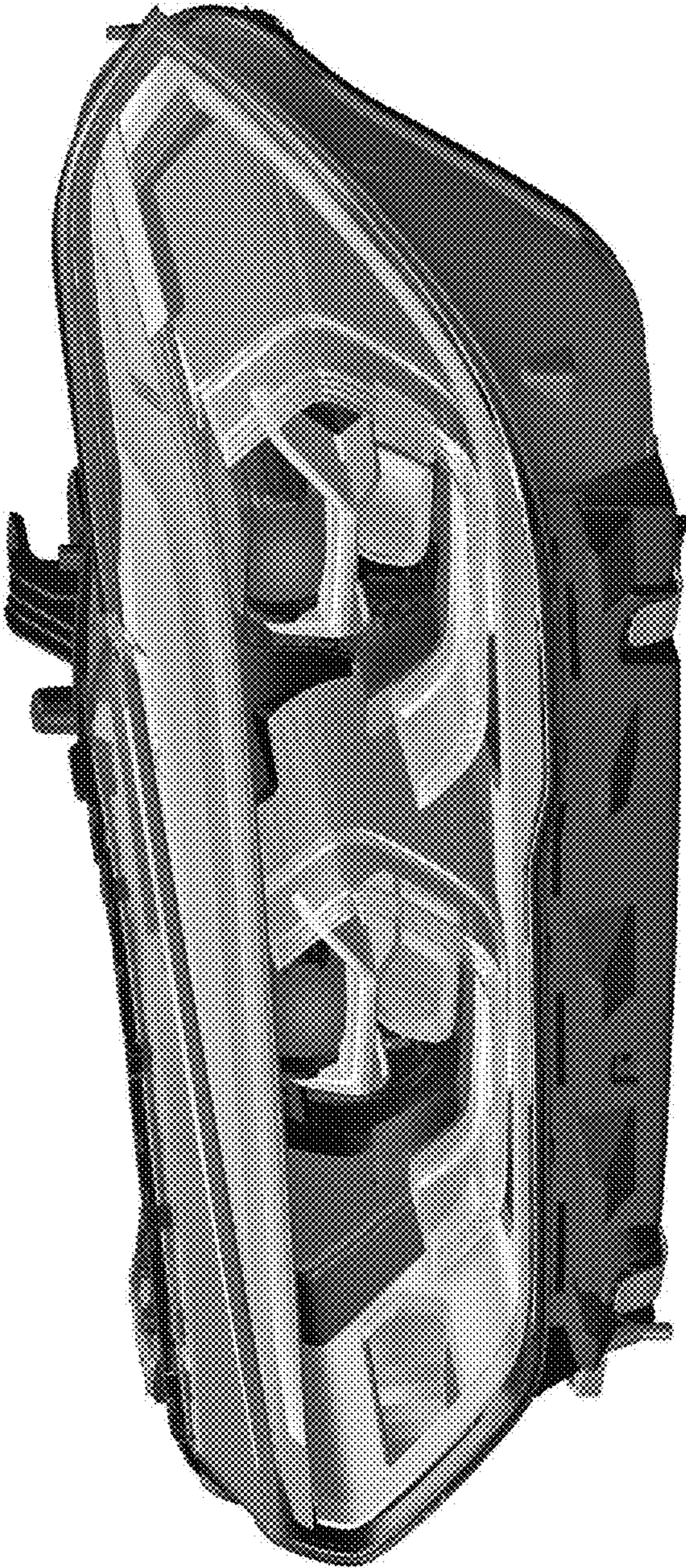


Fig. 2

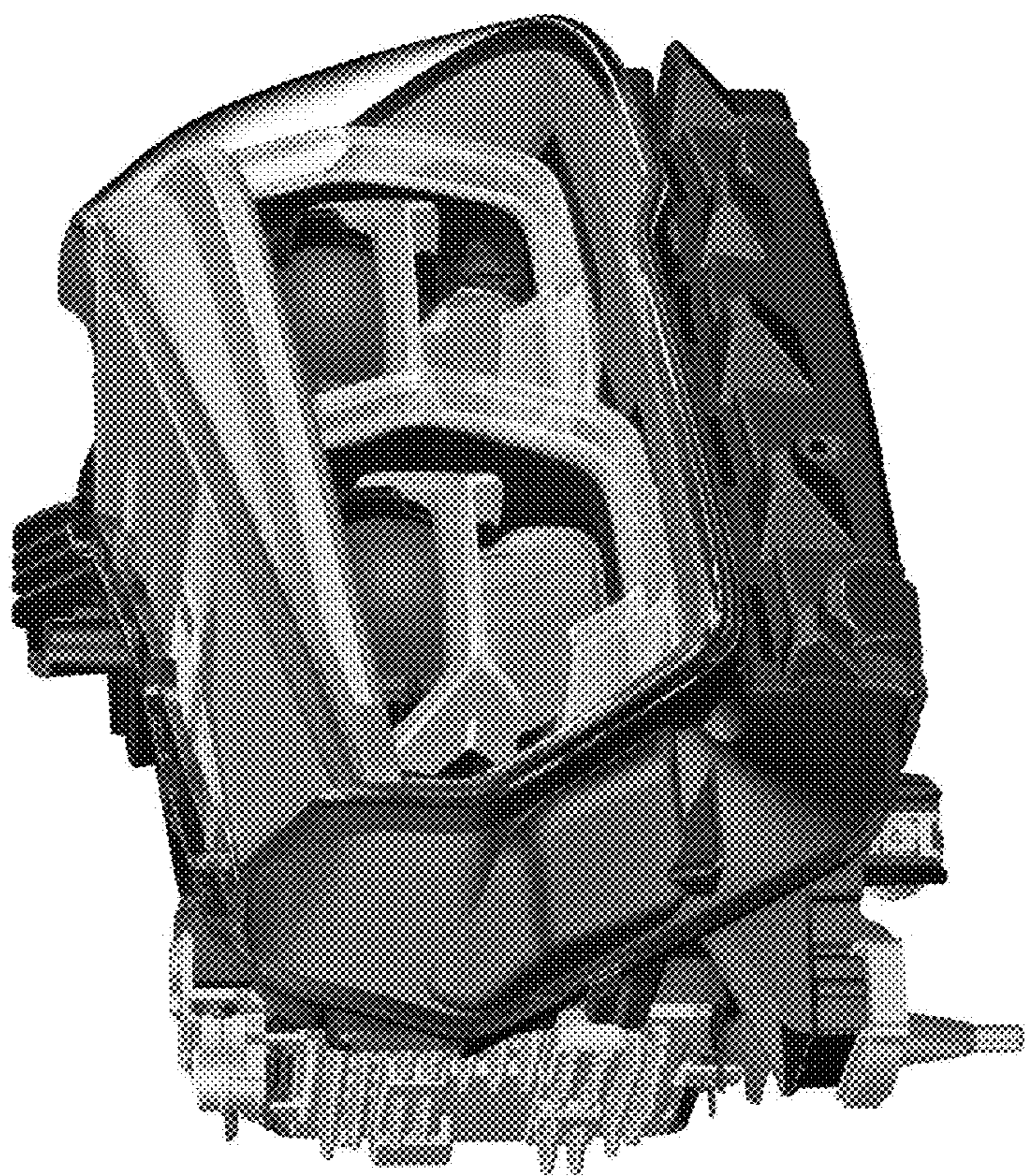


Fig. 3

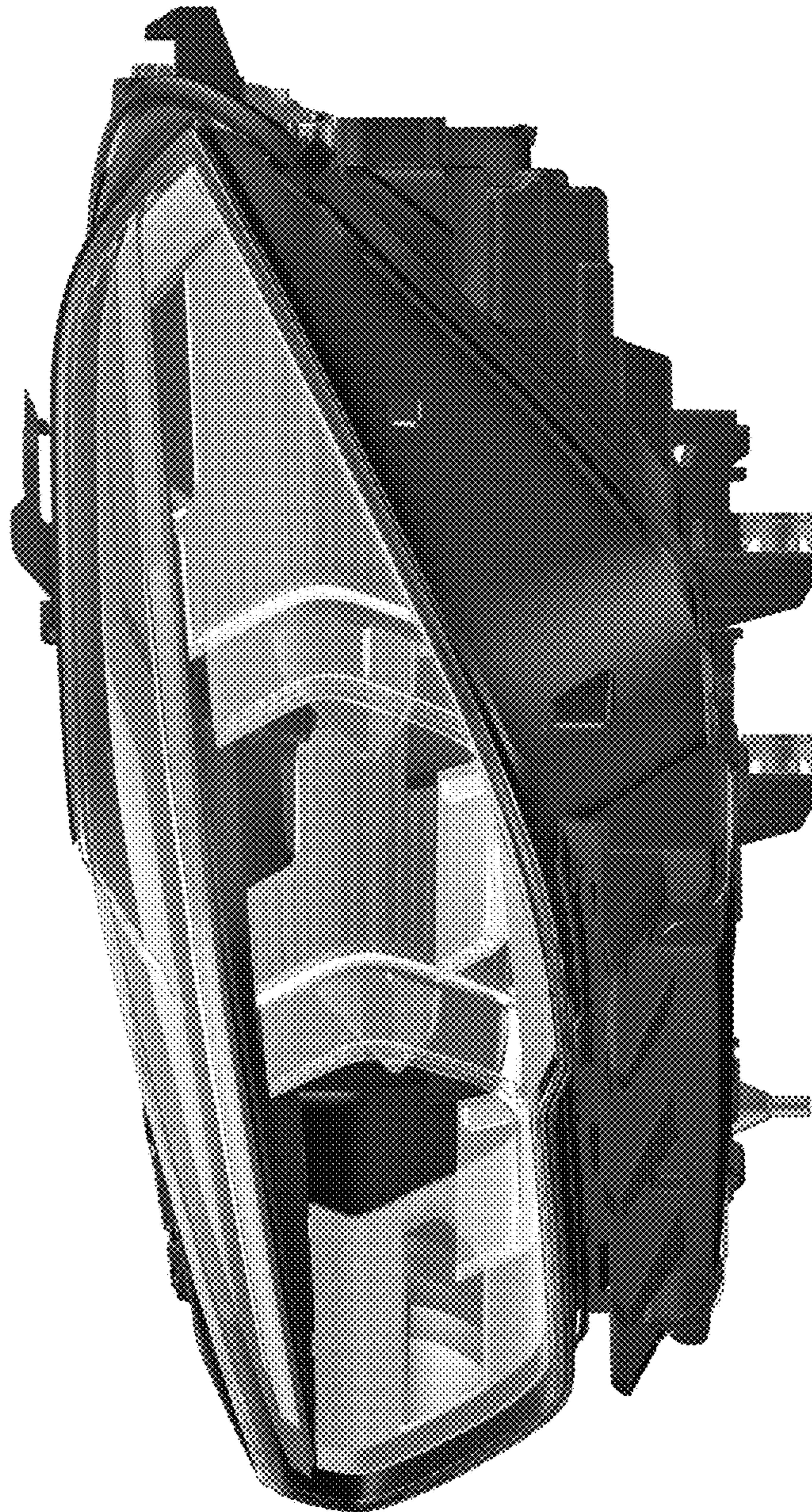


Fig. 4

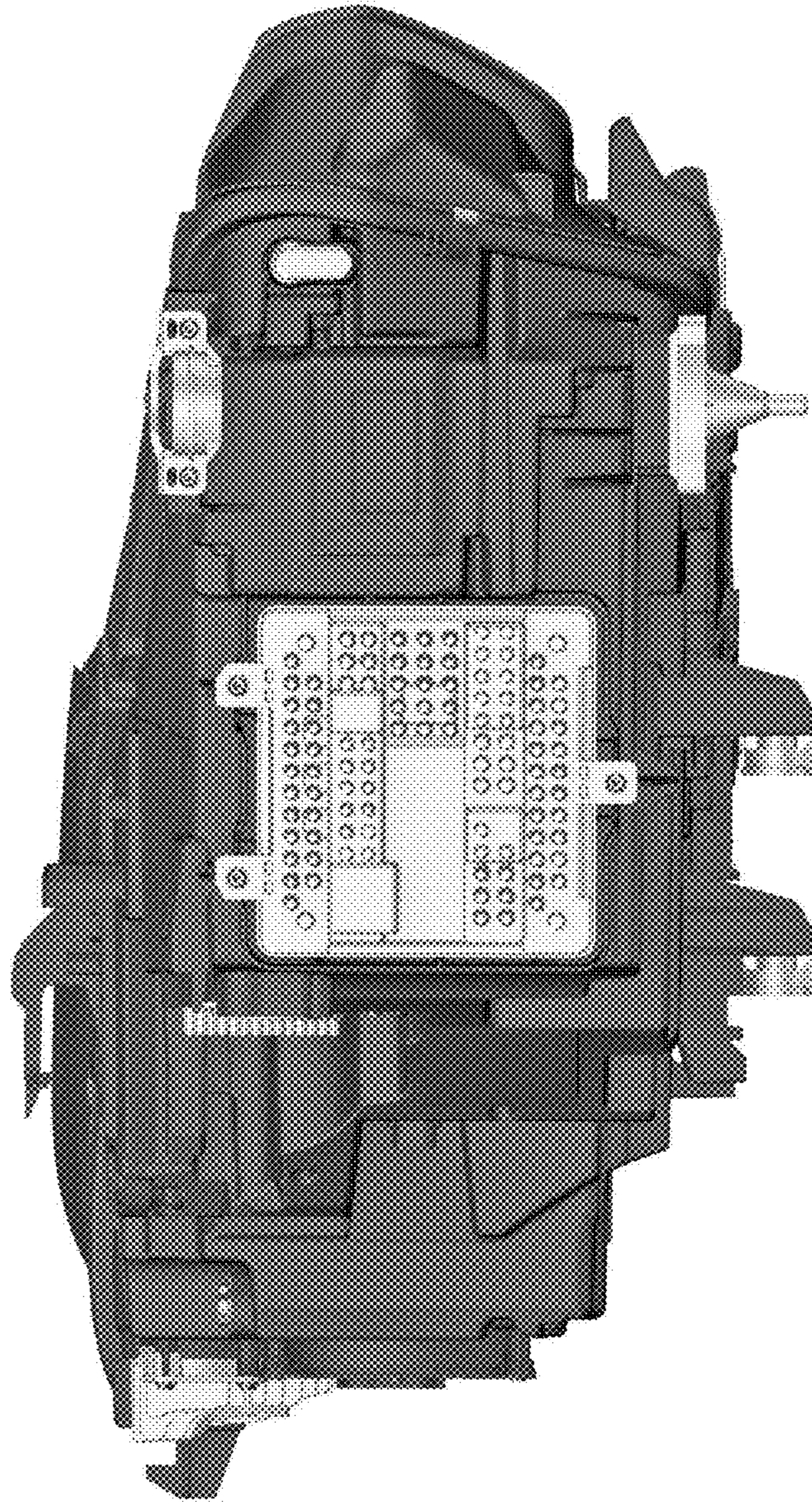


Fig. 5

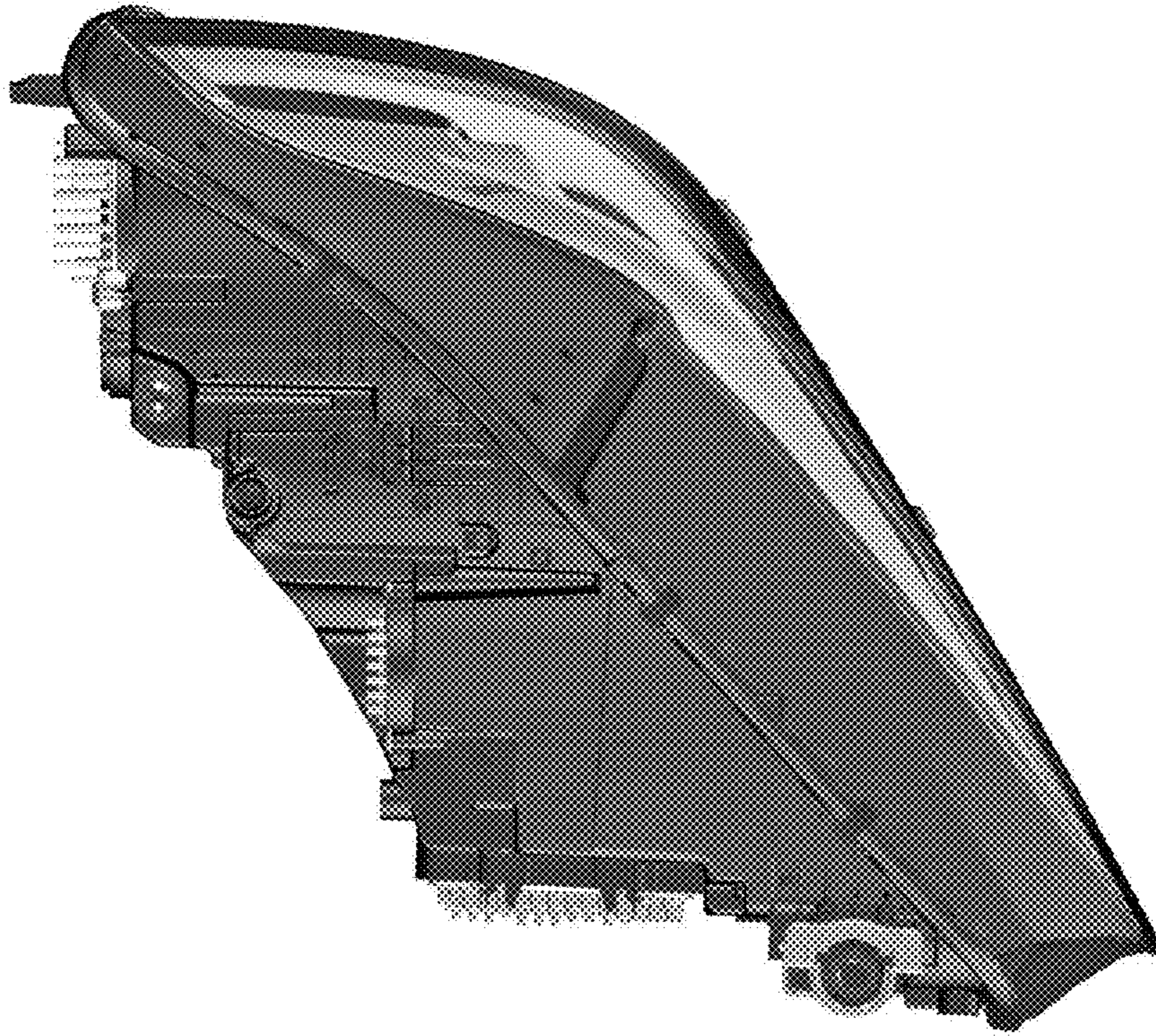


Fig. 6

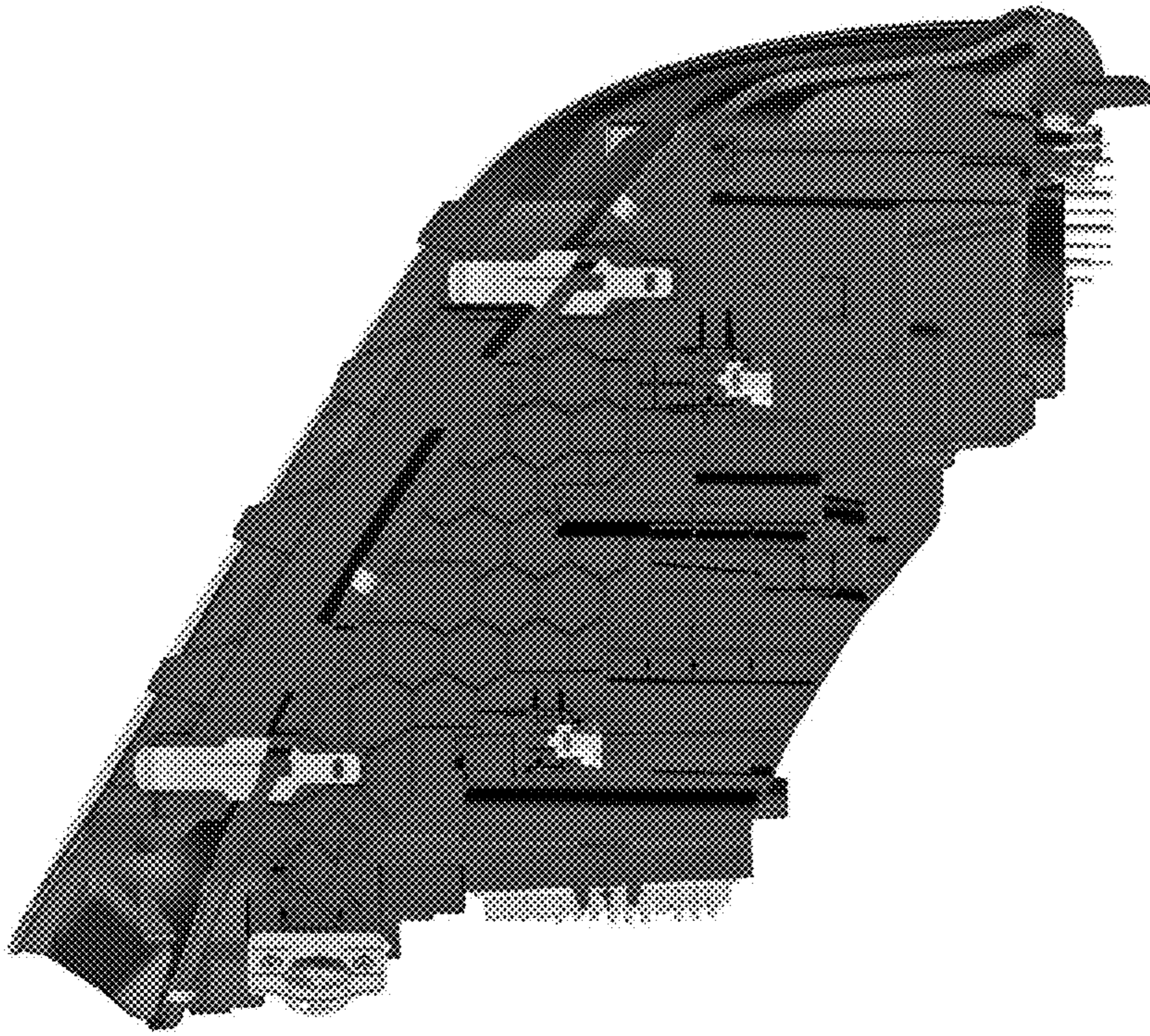


Fig. 7

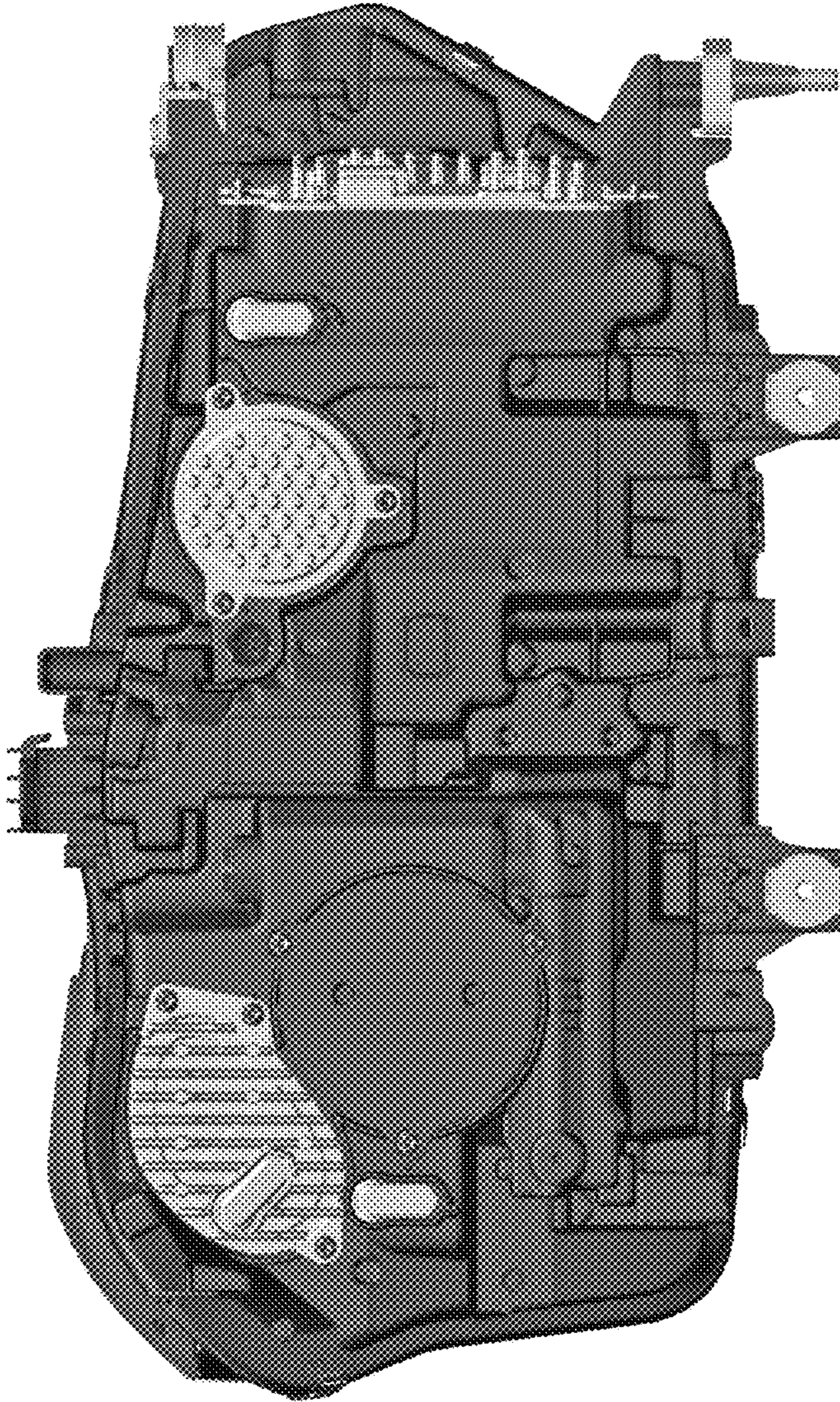


Fig. 8