



US00D852996S

(12) **United States Design Patent**
Suzuki

(10) **Patent No.:** **US D852,996 S**
(45) **Date of Patent:** **** Jul. 2, 2019**

(54) **HEADLAMP FOR AN AUTOMOBILE**

FOREIGN PATENT DOCUMENTS

(71) Applicant: **Nissan Motor Co., Ltd.**, Yokohama,
Kanagawa (JP)

JP D1438612 S 4/2012
JP D1572297 S 3/2017

(72) Inventor: **Motoyuki Suzuki**, Kanagawa (JP)

* cited by examiner

(73) Assignee: **Nissan Motor Co., Ltd.**, Yokohama
(JP)

Primary Examiner — Marcus A Jackson

(**) Term: **15 Years**

(57) **CLAIM**

The ornamental design for a headlamp for an automobile, as shown and described.

(21) Appl. No.: **29/633,104**

DESCRIPTION

(22) Filed: **Jan. 12, 2018**

FIG. 1 is an outside elevational view of a headlamp for an automobile in accordance with a first embodiment of my new design;

(30) **Foreign Application Priority Data**

Aug. 2, 2017 (JP) 2017-016730

FIG. 2 is an inside elevational view thereof;

(51) **LOC (11) Cl.** **26-06**

FIG. 3 is a top plan view thereof;

(52) **U.S. Cl.**

FIG. 4 is a bottom plan view thereof;

USPC **D26/28**

FIG. 5 is a front side elevational view thereof;

(58) **Field of Classification Search**

USPC D26/28–36

FIG. 6 is a rear side elevational view thereof; and,

CPC B62J 6/001; B62J 6/02; B60Q 9/13; B60Q

FIG. 7 is a front side perspective view thereof.

9/135; B60Q 9/1375; F21S 48/00; F21S

The headlamp is configured to be mounted to an automobile. The mounting structure and support structure of the headlamp, shown in broken lines in FIGS. 1 to 7, form no part of the claimed design since the mounting structure and support structure are hidden when the headlamp is mounted to the automobile.

48/10; F21S 48/115; F21S 48/225; F21S

In addition, the appearance of the rear side structures and inside structures of the headlamp as shown in broken lines in FIGS. 1 to 7 is for purpose of illustrating the boundaries of the exterior surface of the outside of the headlamp, and forms no part of the claimed design. The headlamp has a front lens that is transparent such that features behind the lens are at least partially visible as illustrated.

48/1233; F21S 48/1266; F21S 48/1388;

A second embodiment of my new design includes the mirror image of the headlamp shown in FIGS. 1 to 7.

F21S 48/2268; F21V 21/04

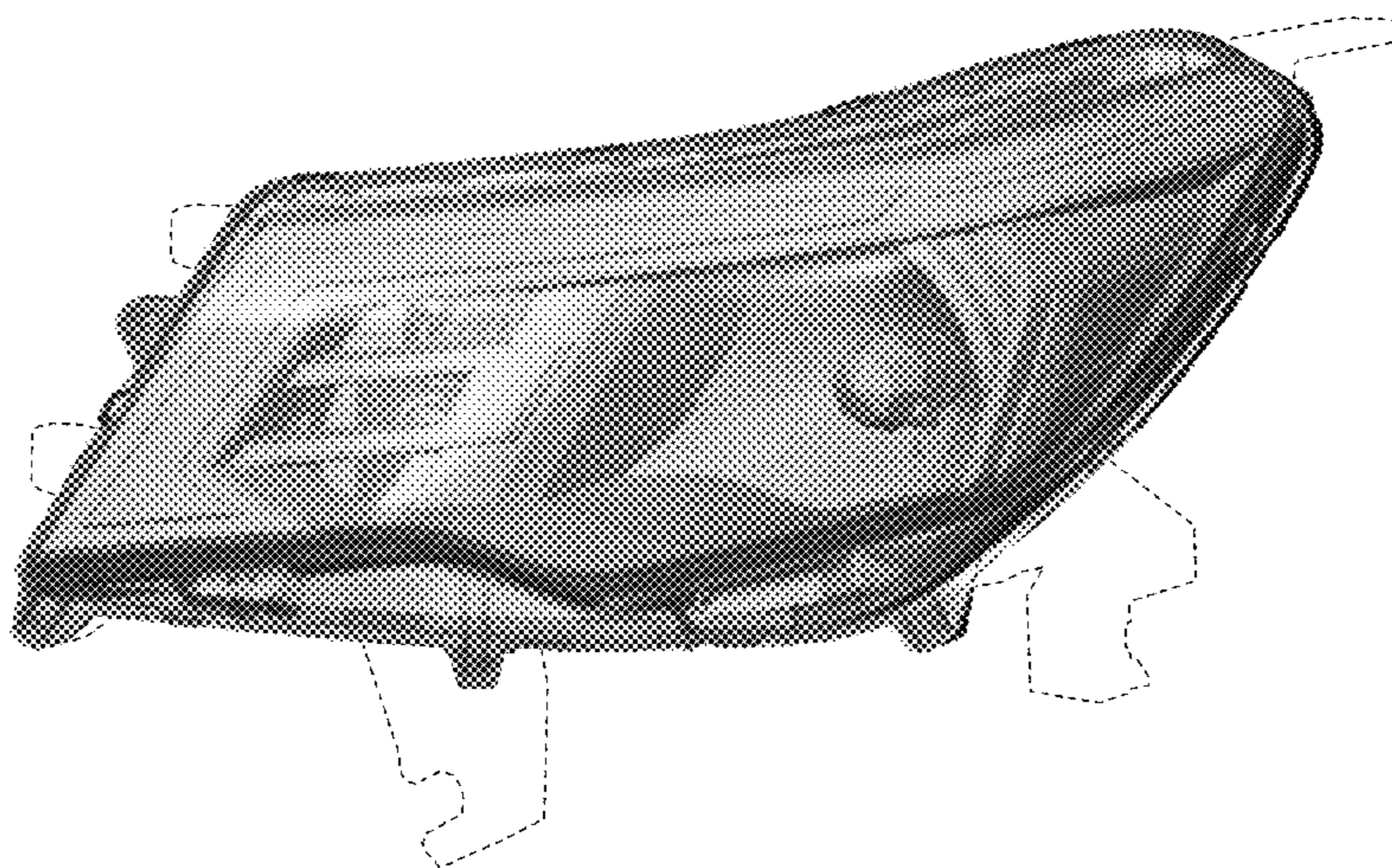
See application file for complete search history.

(56) **References Cited**

U.S. PATENT DOCUMENTS

D528,681 S *	9/2006	Nakahara	D26/28
D528,685 S *	9/2006	Yoshida	D26/28
D544,114 S *	6/2007	Ohta	D26/28
D544,614 S *	6/2007	Markefka	D26/28
D549,857 S *	8/2007	Lin	D26/28

1 Claim, 7 Drawing Sheets



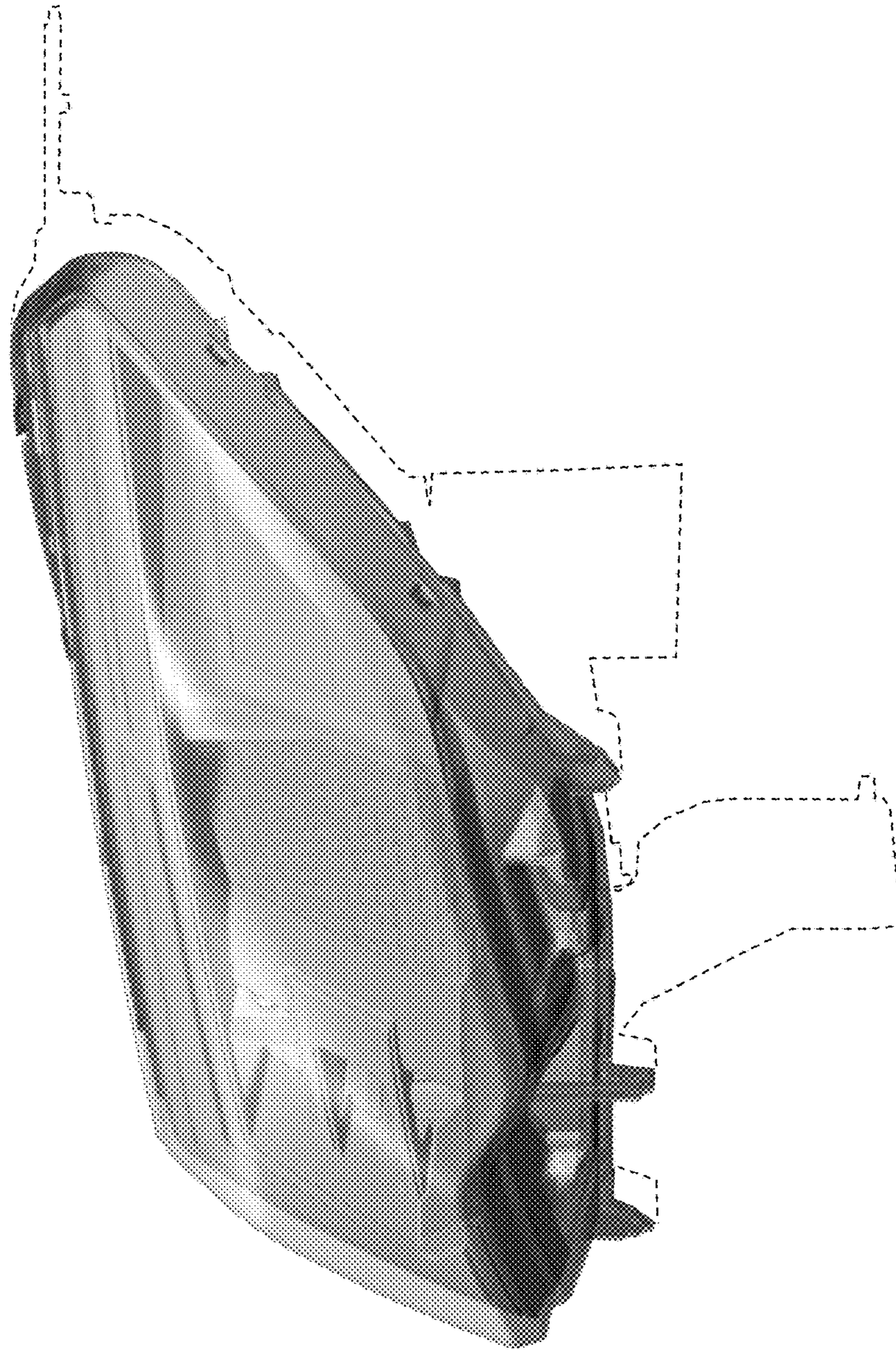


FIG. 1

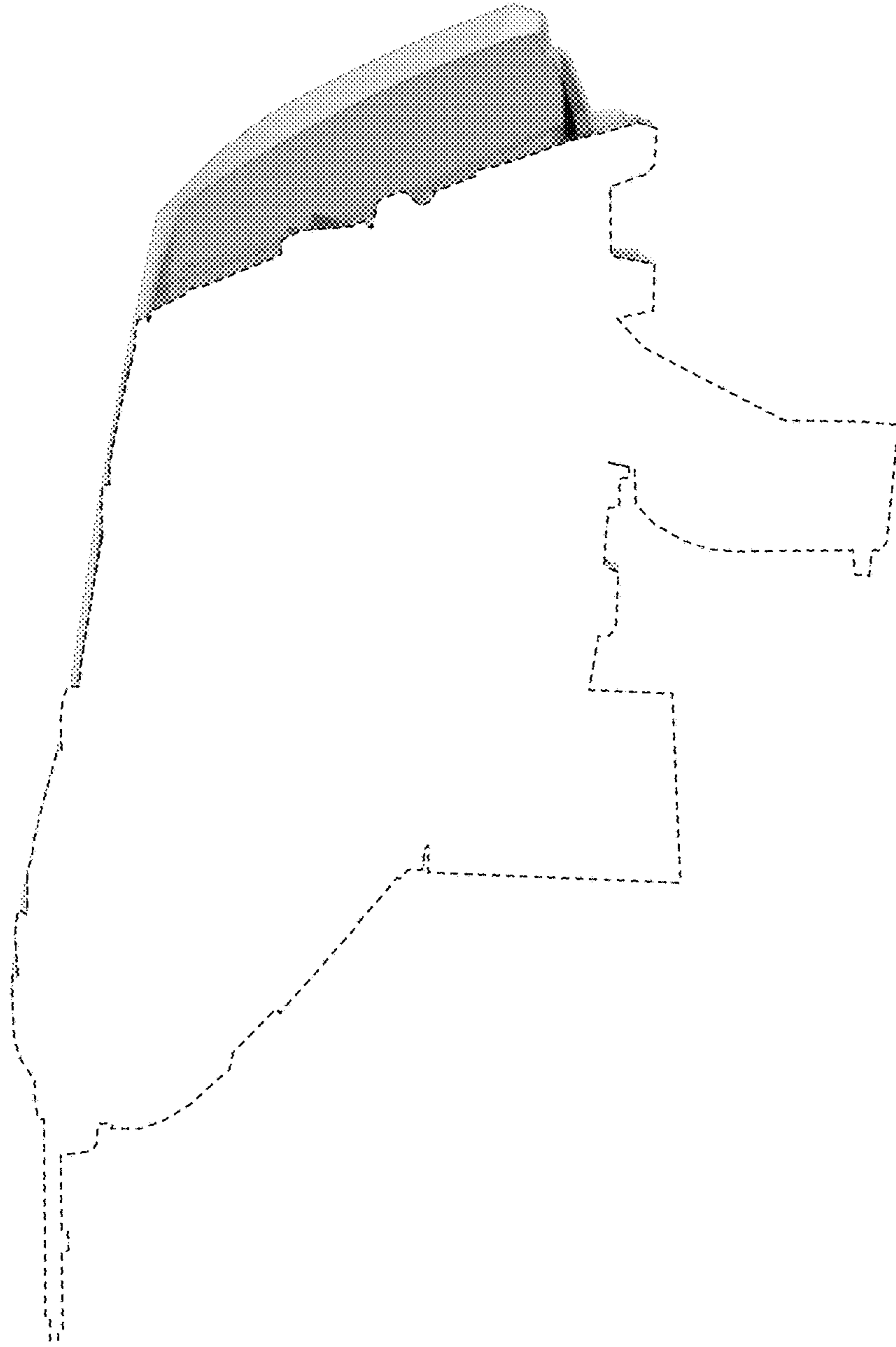


FIG. 2

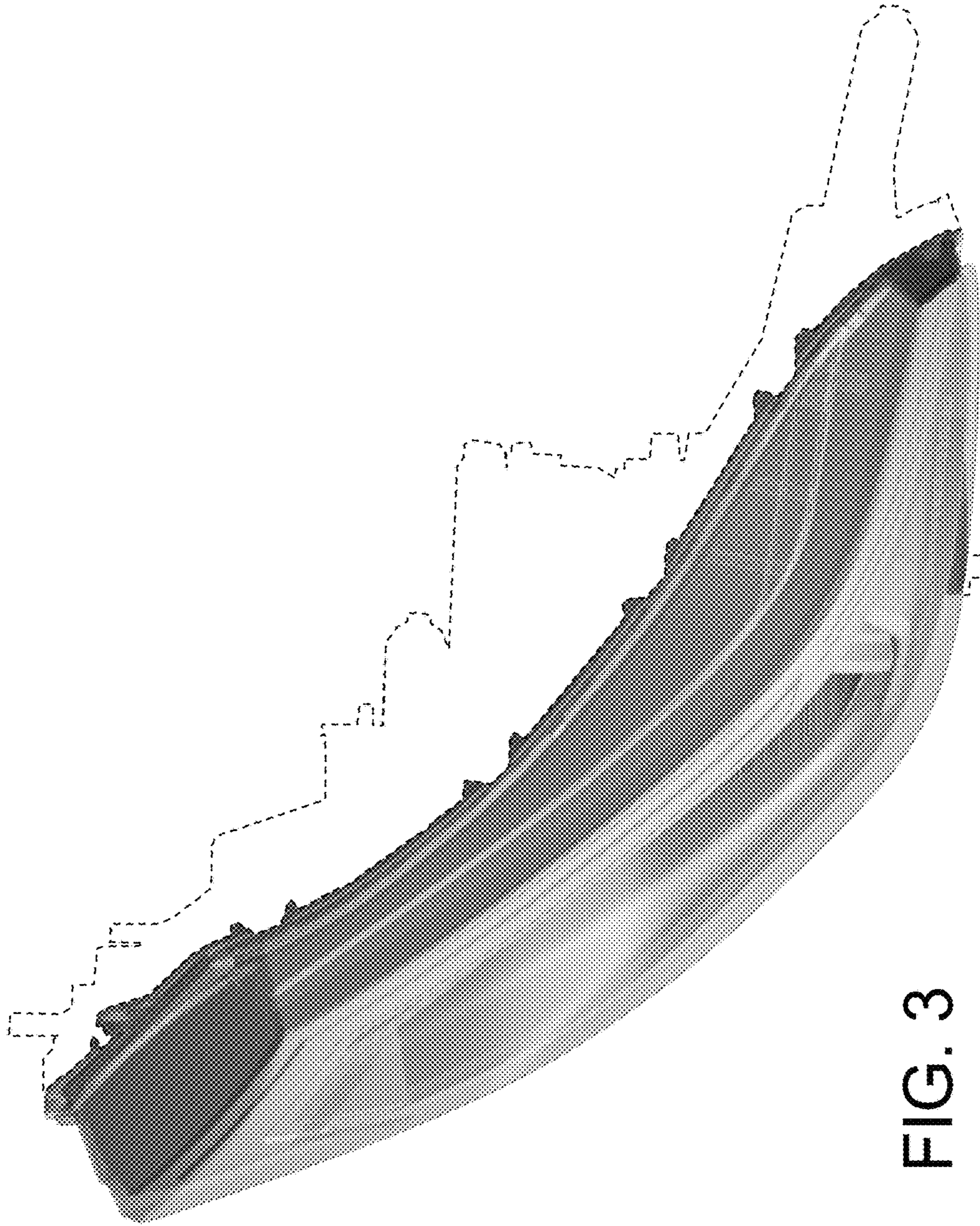


FIG. 3

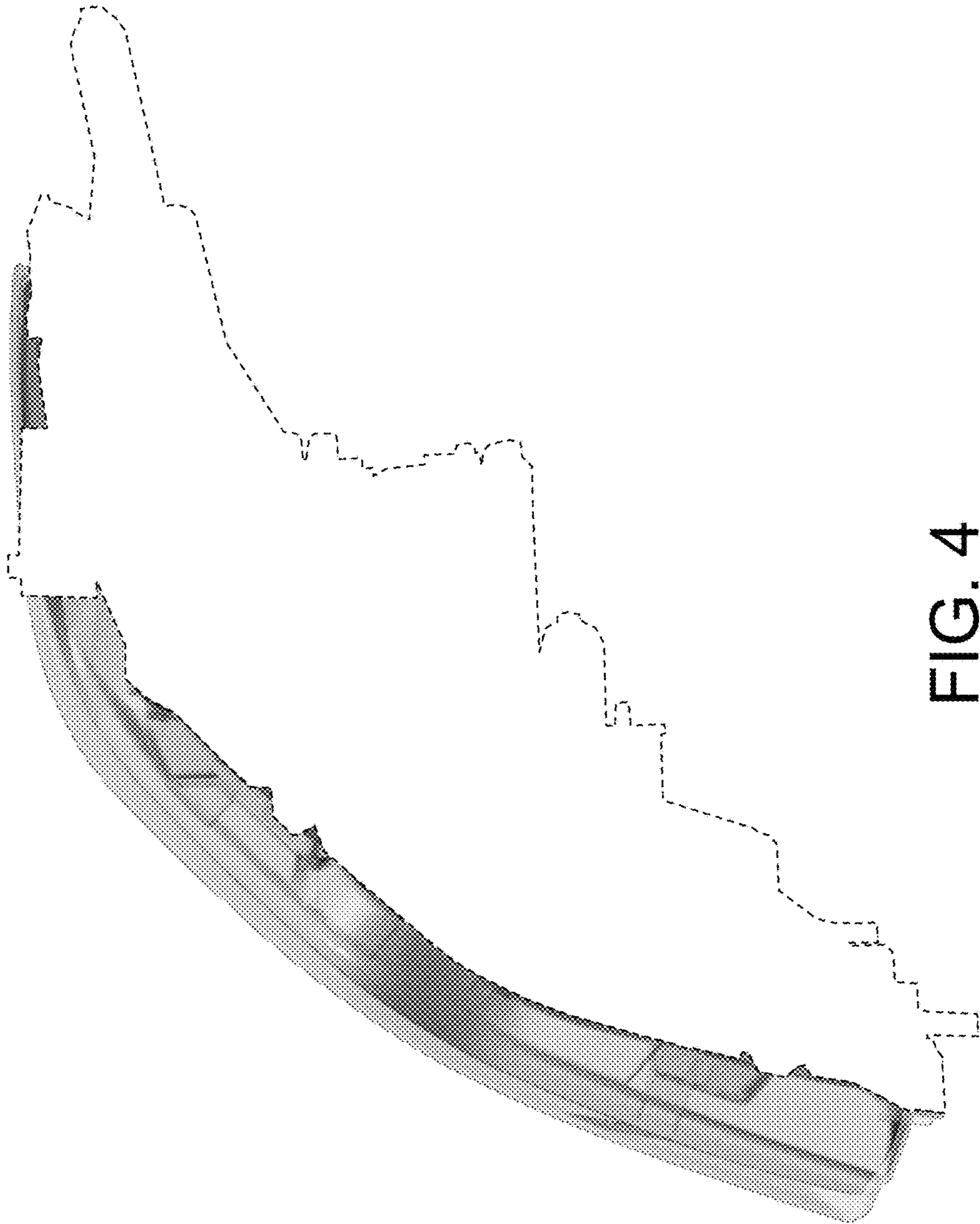


FIG. 4



FIG. 5

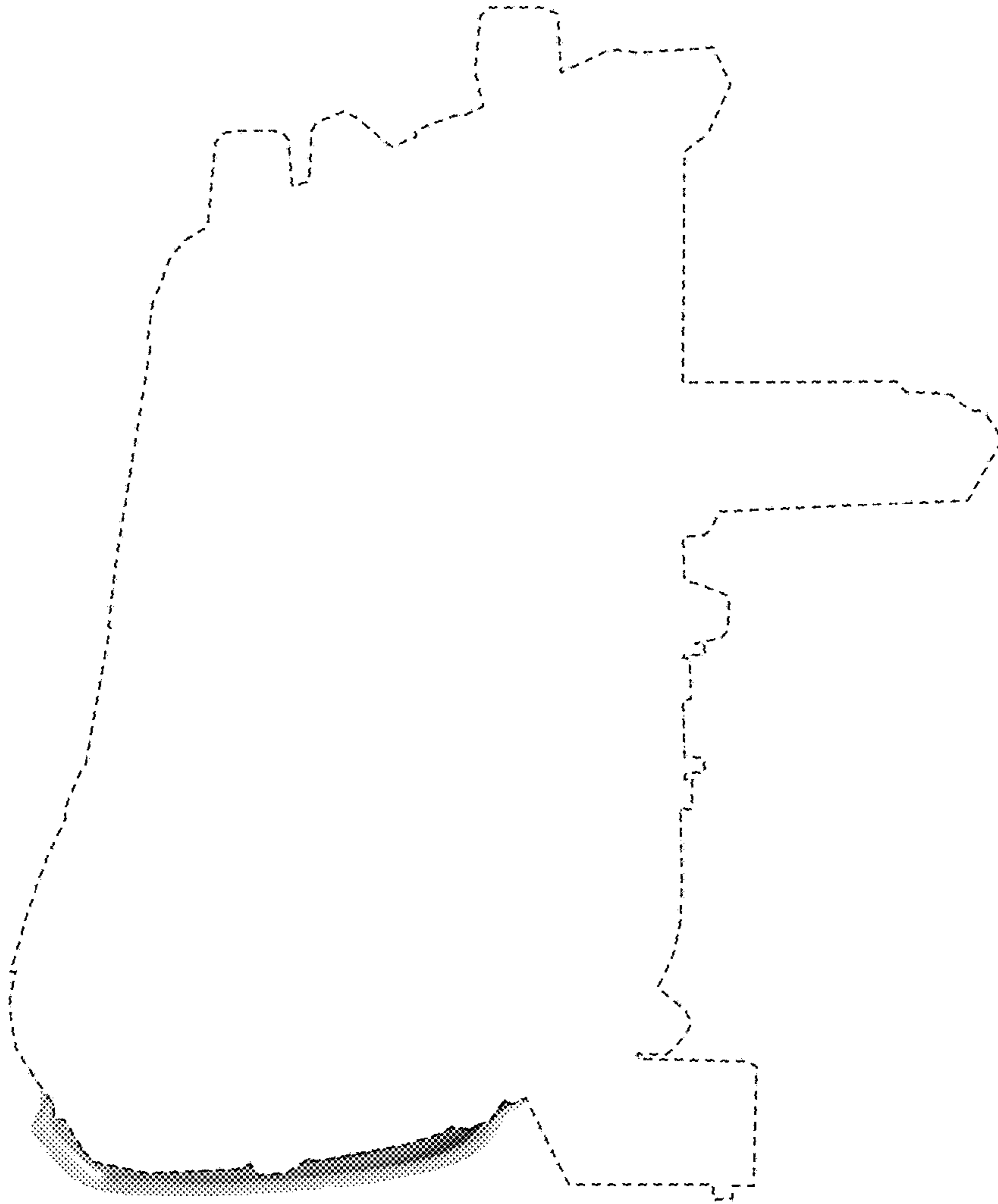


FIG. 6

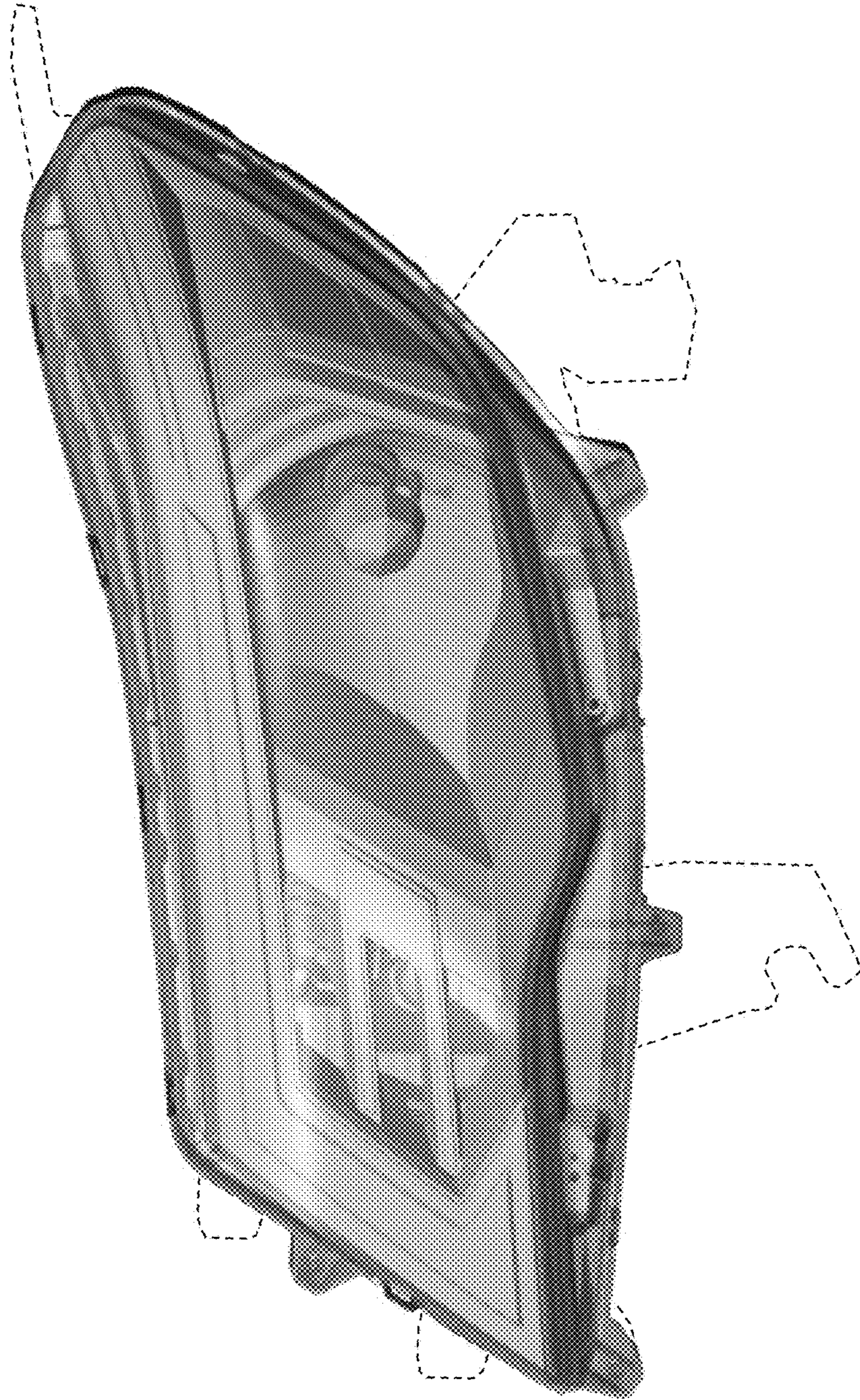


FIG. 7