



US00D852994S

(12) **United States Design Patent**
Morgenstern

(10) **Patent No.:** **US D852,994 S**
(45) **Date of Patent:** **** Jul. 2, 2019**

- (54) **TAILLIGHT FOR A VEHICLE**
- (71) Applicant: **Bayerische Motoren Werke Aktiengesellschaft, Munich (DE)**
- (72) Inventor: **Sebastian Morgenstern, Karlsfeld (DE)**
- (73) Assignee: **Bayerische Motoren Werke Aktiengesellschaft, Munich (DE)**
- (**) Term: **15 Years**
- (21) Appl. No.: **29/632,575**
- (22) Filed: **Jan. 9, 2018**
- (30) **Foreign Application Priority Data**

D745,440 S 12/2015 Weil
 D756,001 S 5/2016 Schneider
 D765,293 S 8/2016 Schneider

FOREIGN PATENT DOCUMENTS

EM 004420289 10/2017

* cited by examiner

Primary Examiner — Marcus A Jackson

(74) *Attorney, Agent, or Firm* — Crowell & Moring LLP

(57) **CLAIM**

The ornamental design for a taillight for a vehicle, as shown and described.

DESCRIPTION

This application contains subject matter related to the following co-pending U.S. design patent applications:

Application Ser. No. 29/624,209, filed Oct. 31, 2017 and entitled "Vehicle, Toy, and/or Replicas Thereof;"

Application Ser. No. 29/632,573, filed herewith and entitled "Taillight for a Vehicle"; and

Application Ser. No. 29/632,574, filed herewith and entitled "Taillight for a Vehicle".

FIG. 1 is a front view of a taillight for a vehicle according to the design;

FIG. 2 is a left perspective view thereof;

FIG. 3 is a right perspective view thereof;

FIG. 4 is a left side view thereof;

FIG. 5 is a right side view thereof;

FIG. 6 is a top view thereof;

FIG. 7 is a bottom view thereof; and,

FIG. 8 is a rear view thereof.

1 Claim, 8 Drawing Sheets

- Jul. 18, 2017 (DE) 40 2017 100 835
- (51) **LOC (11) Cl.** **26-06**
- (52) **U.S. Cl.**
USPC **D26/28**
- (58) **Field of Classification Search**
USPC D26/28-36
CPC B62J 6/001; B62J 6/02; B60Q 9/13; B60Q 9/135; B60Q 9/1375; F21S 48/00; F21S 48/10; F21S 48/115; F21S 48/225; F21S 48/1233; F21S 48/1266; F21S 48/1388; F21S 48/2268; F21V 21/04
See application file for complete search history.

(56) **References Cited**

U.S. PATENT DOCUMENTS

D550,380 S *	9/2007	Lin	D26/28
D560,291 S *	1/2008	Koyama	D26/28
D560,832 S *	1/2008	Hsu	D26/28
D570,007 S *	5/2008	Hsu	D26/28
D593,232 S *	5/2009	Koman	D26/28





Fig. 1

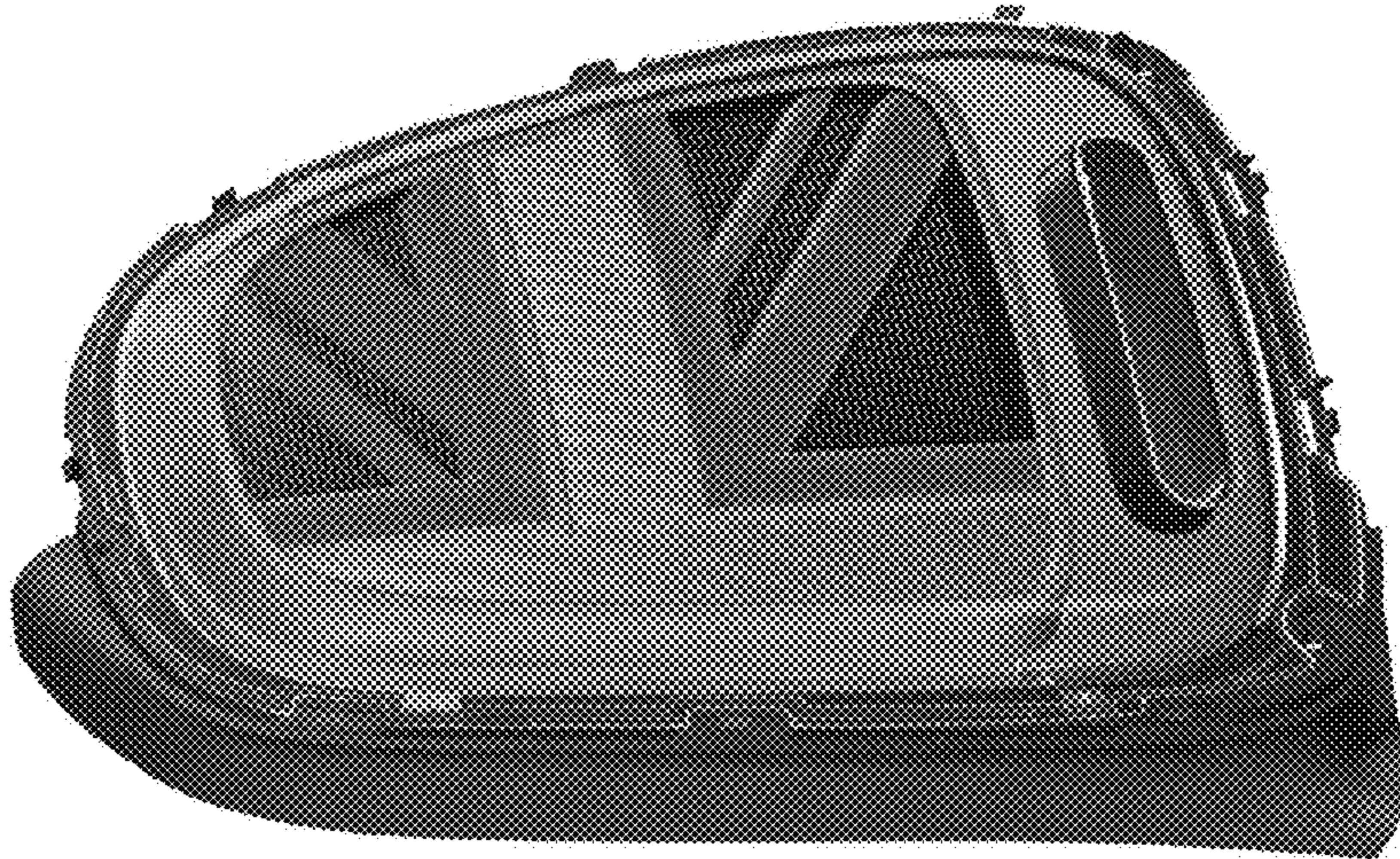


Fig. 2



Fig. 3

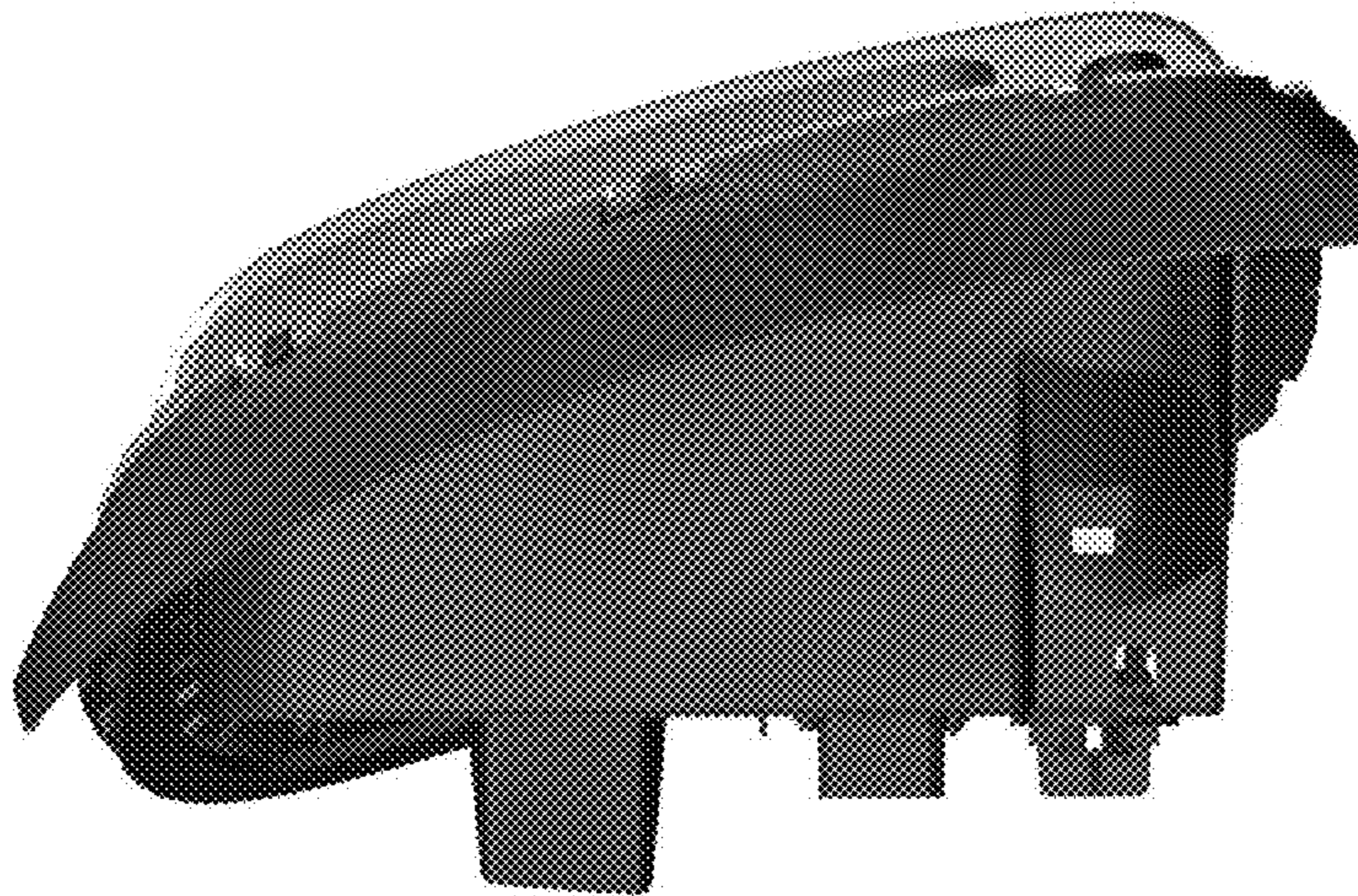


Fig. 4

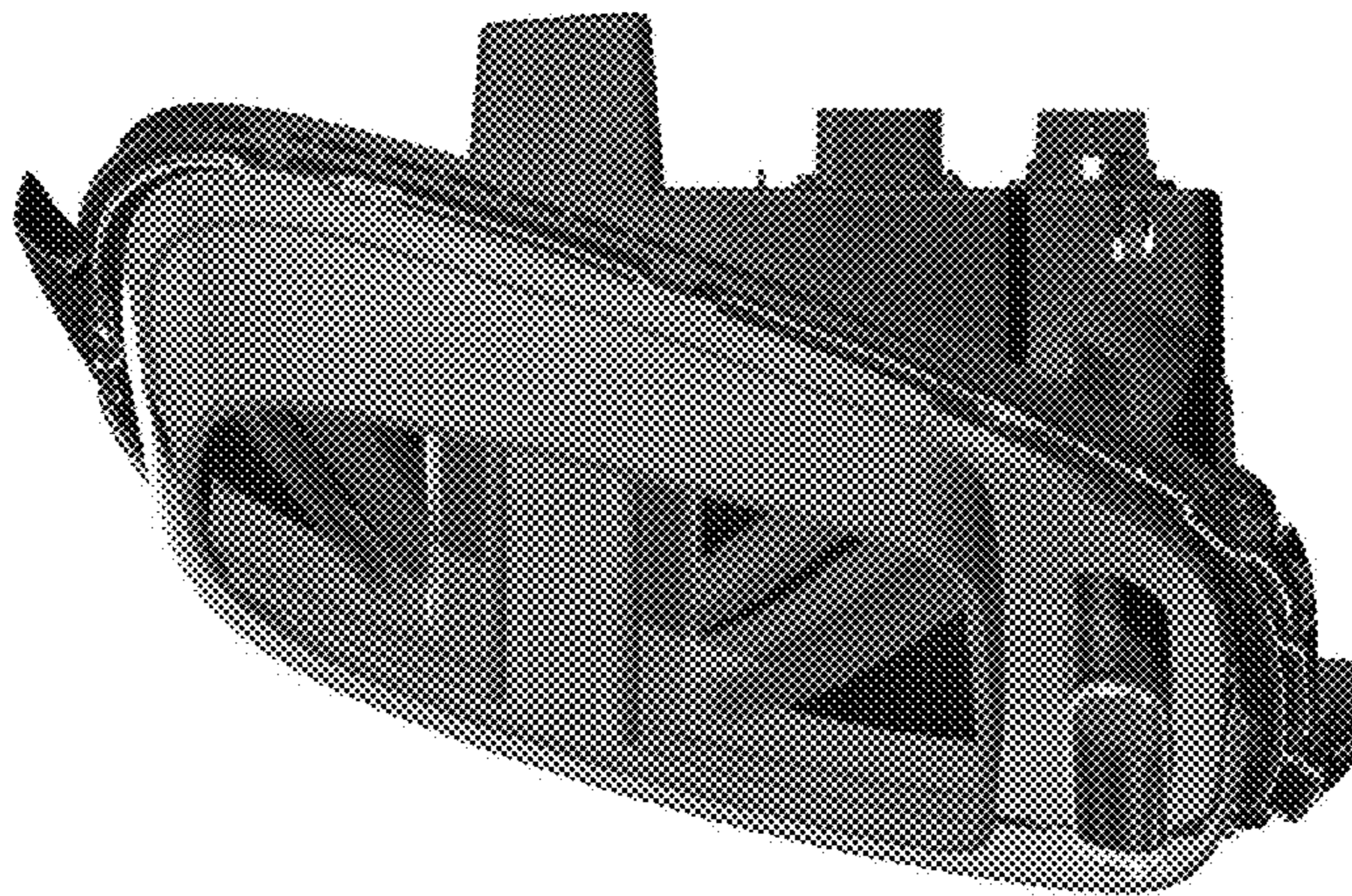


Fig. 5



Fig. 6

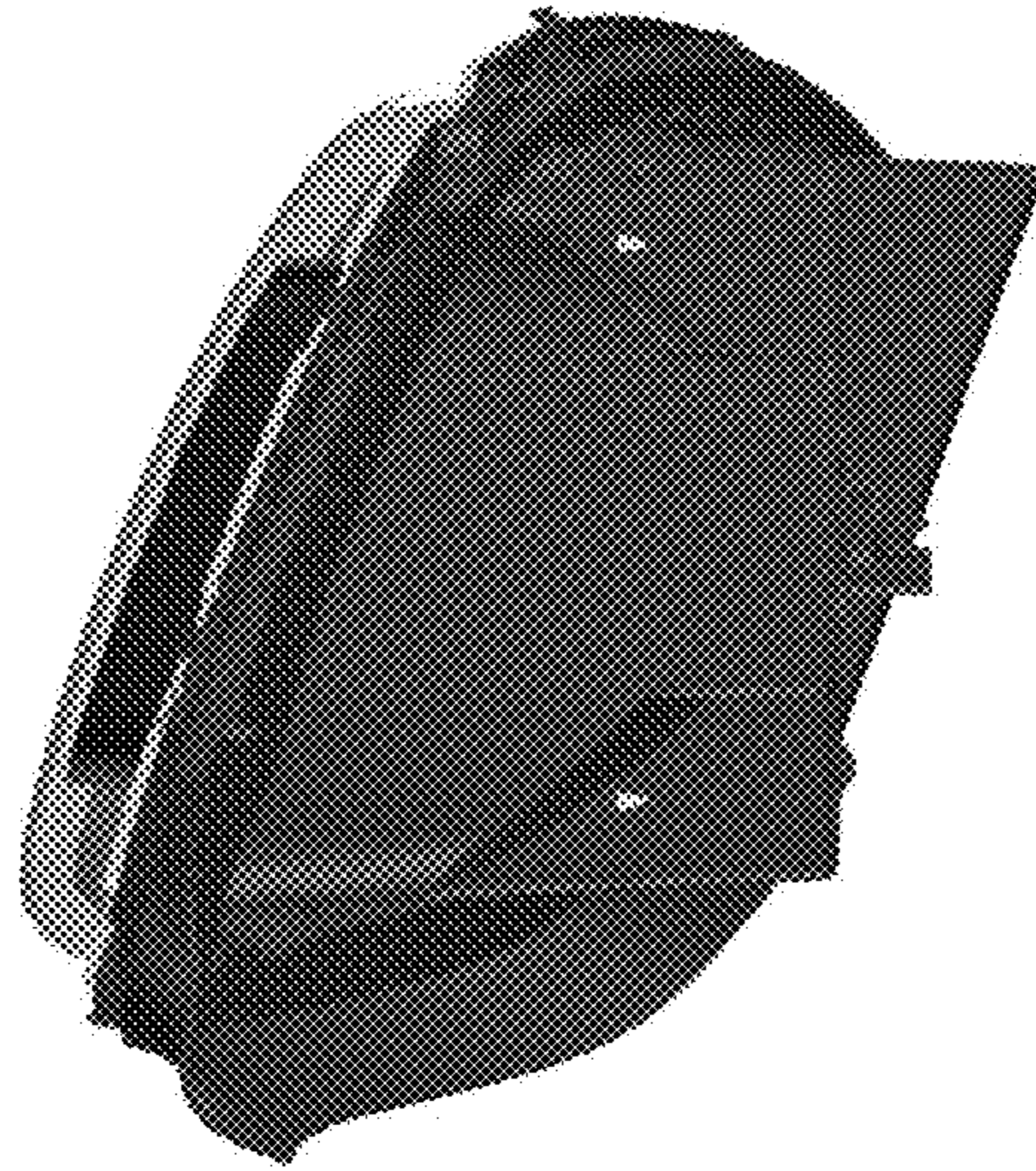


Fig. 7

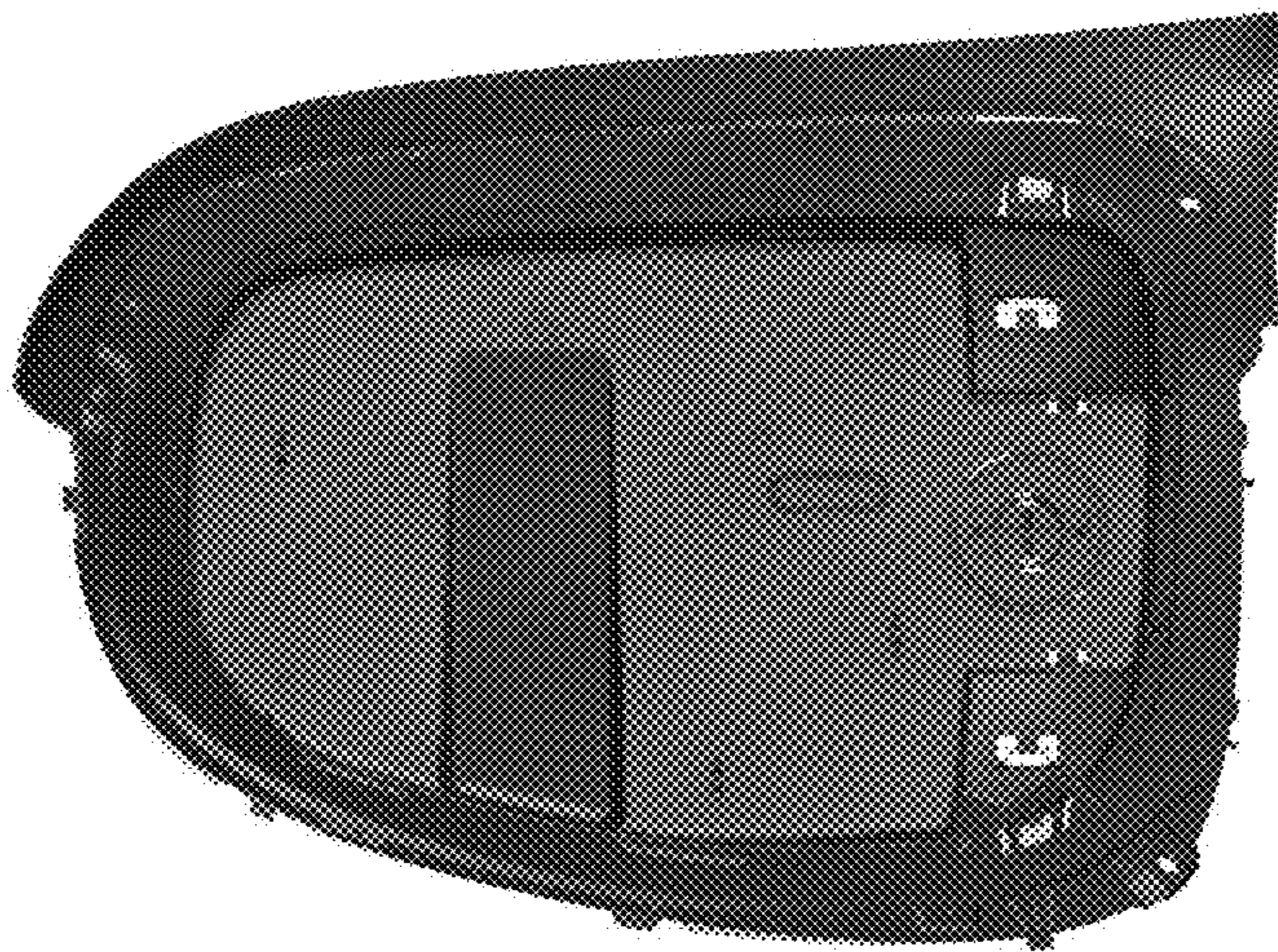


Fig. 8