



US00D852993S

(12) **United States Design Patent** (10) **Patent No.:** **US D852,993 S**  
**Morgenstern** (45) **Date of Patent:** **\*\* Jul. 2, 2019**

(54) **TAILLIGHT FOR A VEHICLE**

D745,440 S 12/2015 Weil  
D756,001 S 5/2016 Schneider  
D765,293 S 8/2016 Schneider

(71) Applicant: **Bayerische Motoren Werke Aktiengesellschaft, Munich (DE)**

**FOREIGN PATENT DOCUMENTS**

(72) Inventor: **Sebastian Morgenstern, Karlsfeld (DE)**

EM 004420289 10/2017

(73) Assignee: **Bayerische Motoren Werke Aktiengesellschaft, Munich (DE)**

\* cited by examiner

(\*\*) Term: **15 Years**

*Primary Examiner* — Marcus A Jackson

(21) Appl. No.: **29/632,574**

(74) *Attorney, Agent, or Firm* — Crowell & Moring LLP

(22) Filed: **Jan. 9, 2018**

(57) **CLAIM**

(30) **Foreign Application Priority Data**

The ornamental design for a taillight for a vehicle, as shown and described.

Jul. 18, 2017 (DE) ..... 40 2017 100 835

(51) **LOC (11) Cl.** ..... **26-06**

**DESCRIPTION**

(52) **U.S. Cl.**

USPC ..... **D26/28**

(58) **Field of Classification Search**

USPC ..... D26/28–36

CPC .... B62J 6/001; B62J 6/02; B60Q 9/13; B60Q 9/135; B60Q 9/1375; F21S 48/00; F21S 48/10; F21S 48/115; F21S 48/225; F21S 48/1233; F21S 48/1266; F21S 48/1388; F21S 48/2268; F21V 21/04

See application file for complete search history.

This application contains subject matter related to the following co-pending U.S. design patent applications:

Application Ser. No. 29/624,209, filed Oct. 31, 2017 and entitled “Vehicle, Toy, and/or Replicas Thereof;”

Application Ser. No. 29/632,573, filed herewith and entitled “Taillight for a Vehicle”; and

Application Ser. No. 29/632,575, filed herewith and entitled “Taillight for a Vehicle”.

FIG. 1 is a front view of a taillight for a vehicle according to the design;

FIG. 2 is a left perspective view thereof;

FIG. 3 is a right perspective view thereof;

FIG. 4 is a left side view thereof;

FIG. 5 is a right side view thereof;

FIG. 6 is a top view thereof;

FIG. 7 is a bottom view thereof; and,

FIG. 8 is a rear view thereof.

(56) **References Cited**

**U.S. PATENT DOCUMENTS**

D550,380 S \* 9/2007 Lin ..... D26/28  
D560,291 S \* 1/2008 Koyama ..... D26/28  
D560,832 S \* 1/2008 Hsu ..... D26/28  
D561,359 S \* 2/2008 Hsu ..... D26/28  
D570,007 S \* 5/2008 Hsu ..... D26/28  
D593,232 S \* 5/2009 Koman ..... D26/28

**1 Claim, 8 Drawing Sheets**





Fig. 1





Fig. 2

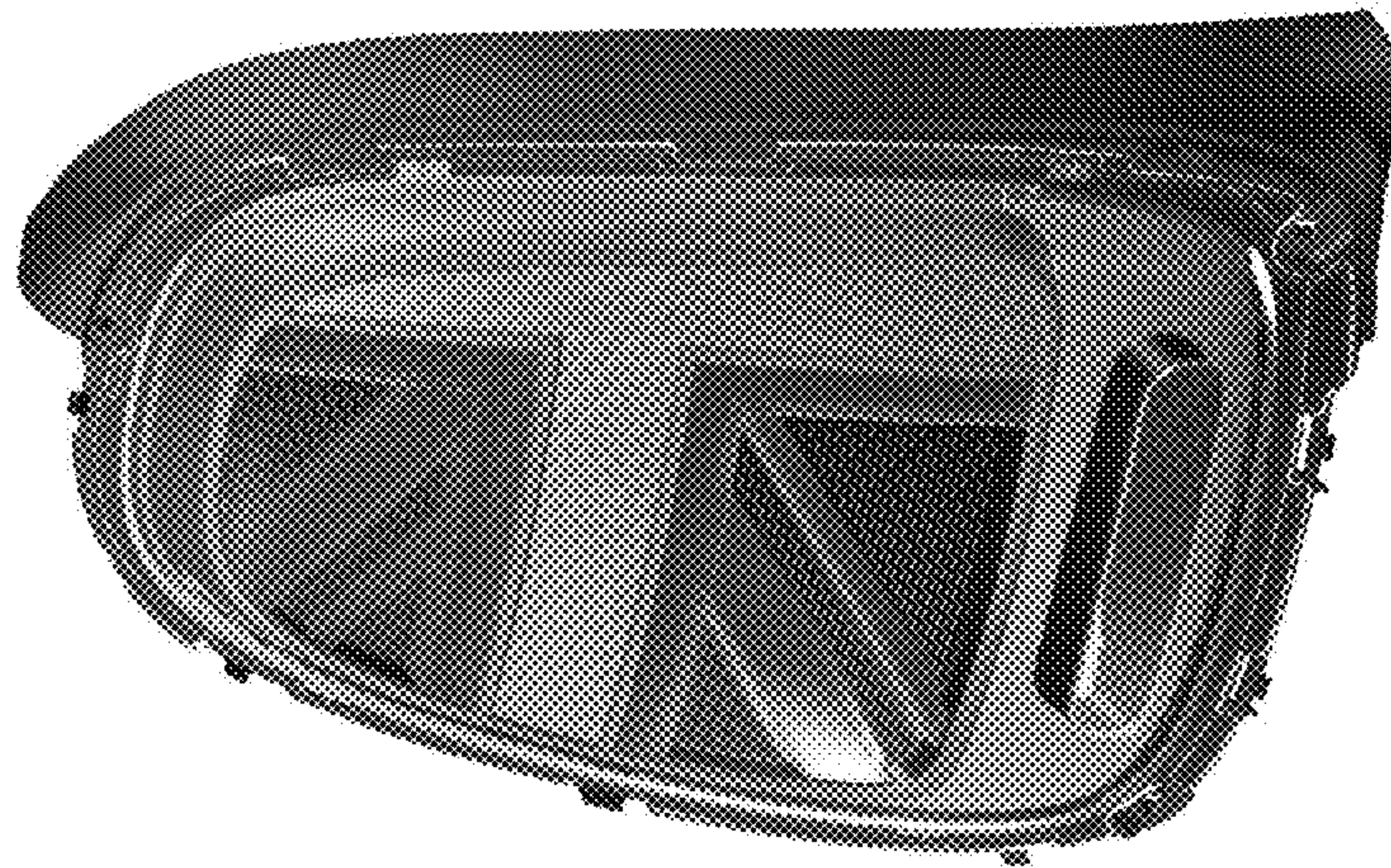


Fig. 3



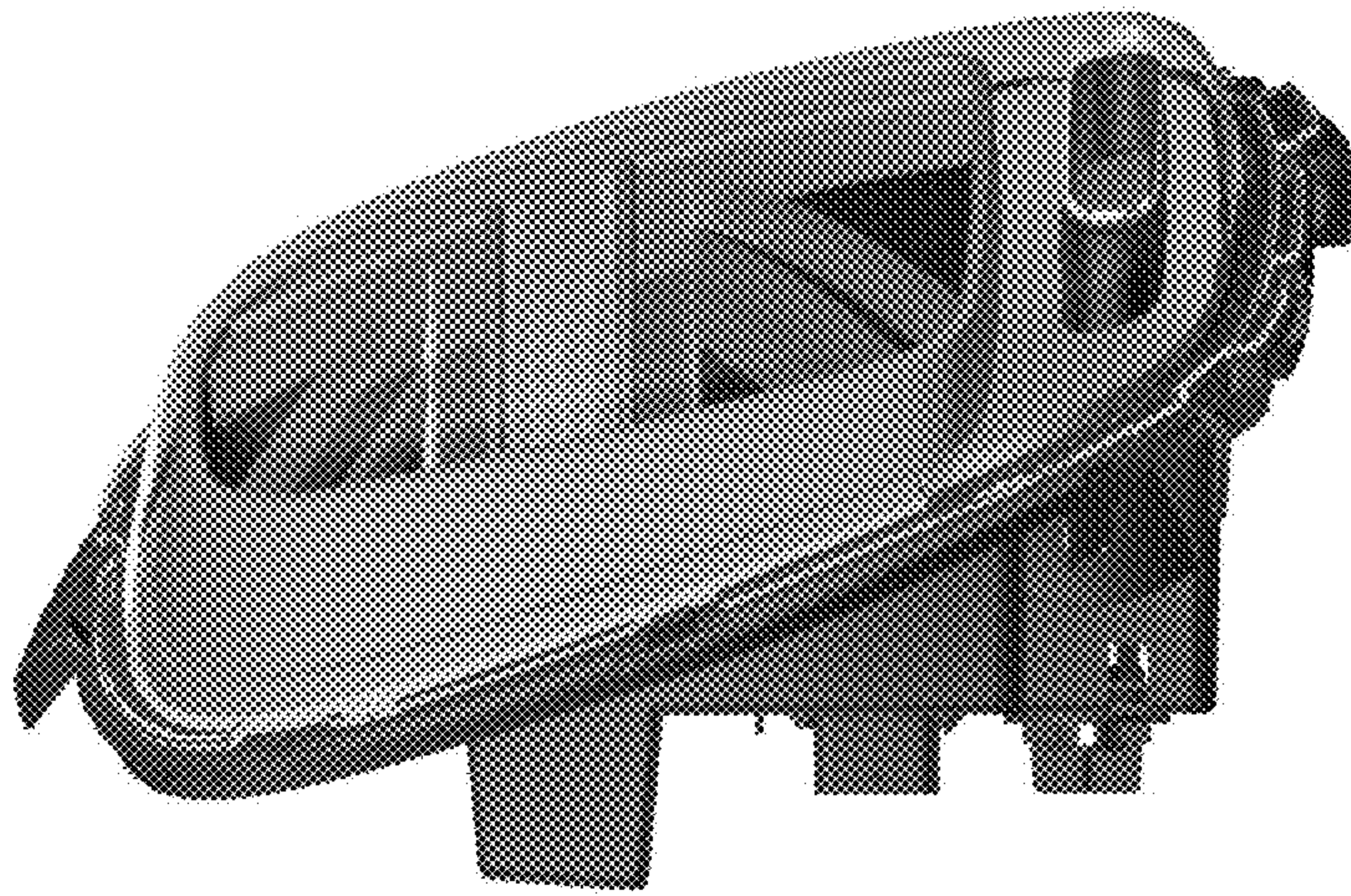


Fig. 4

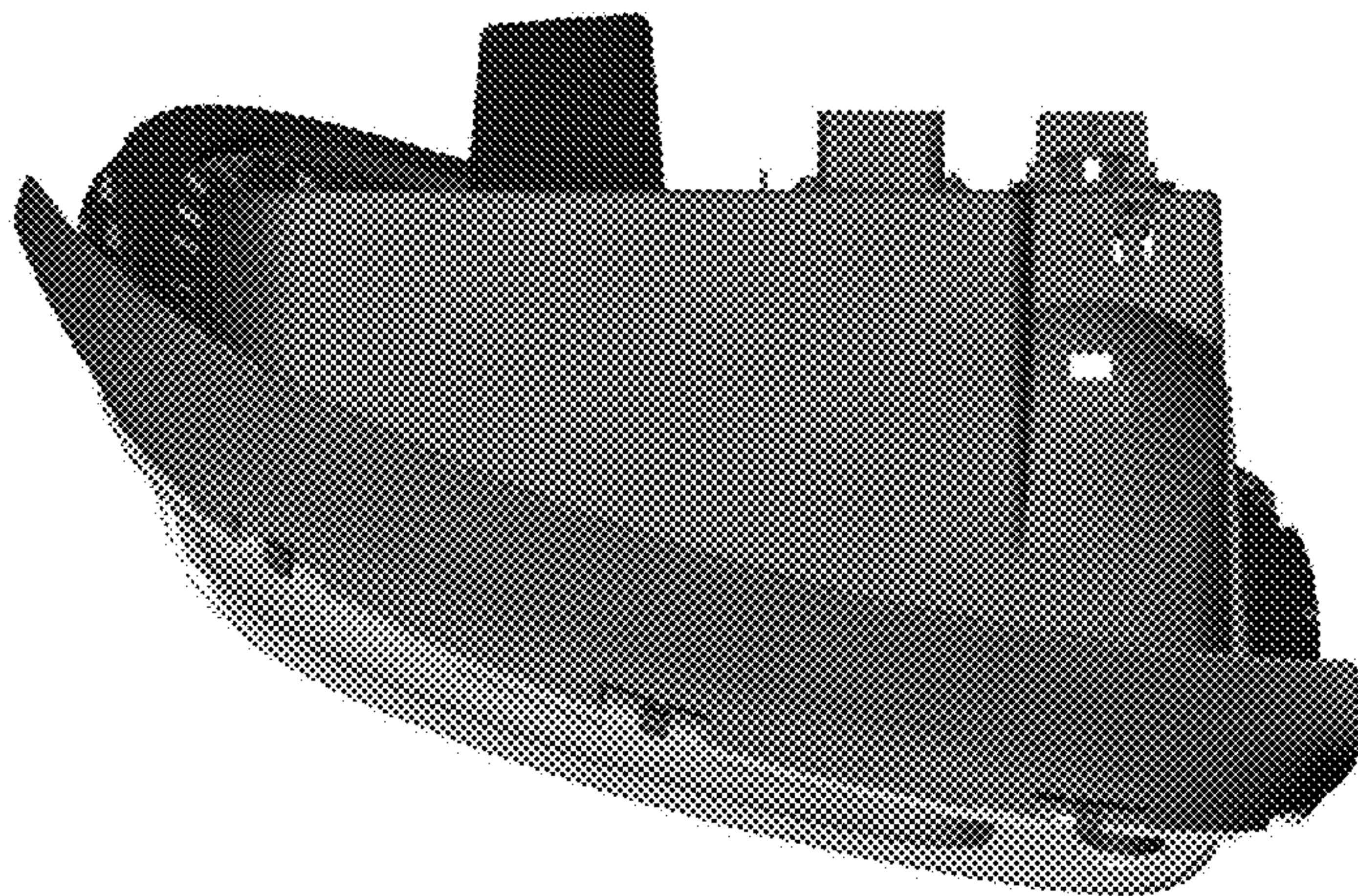


Fig. 5



Fig. 6



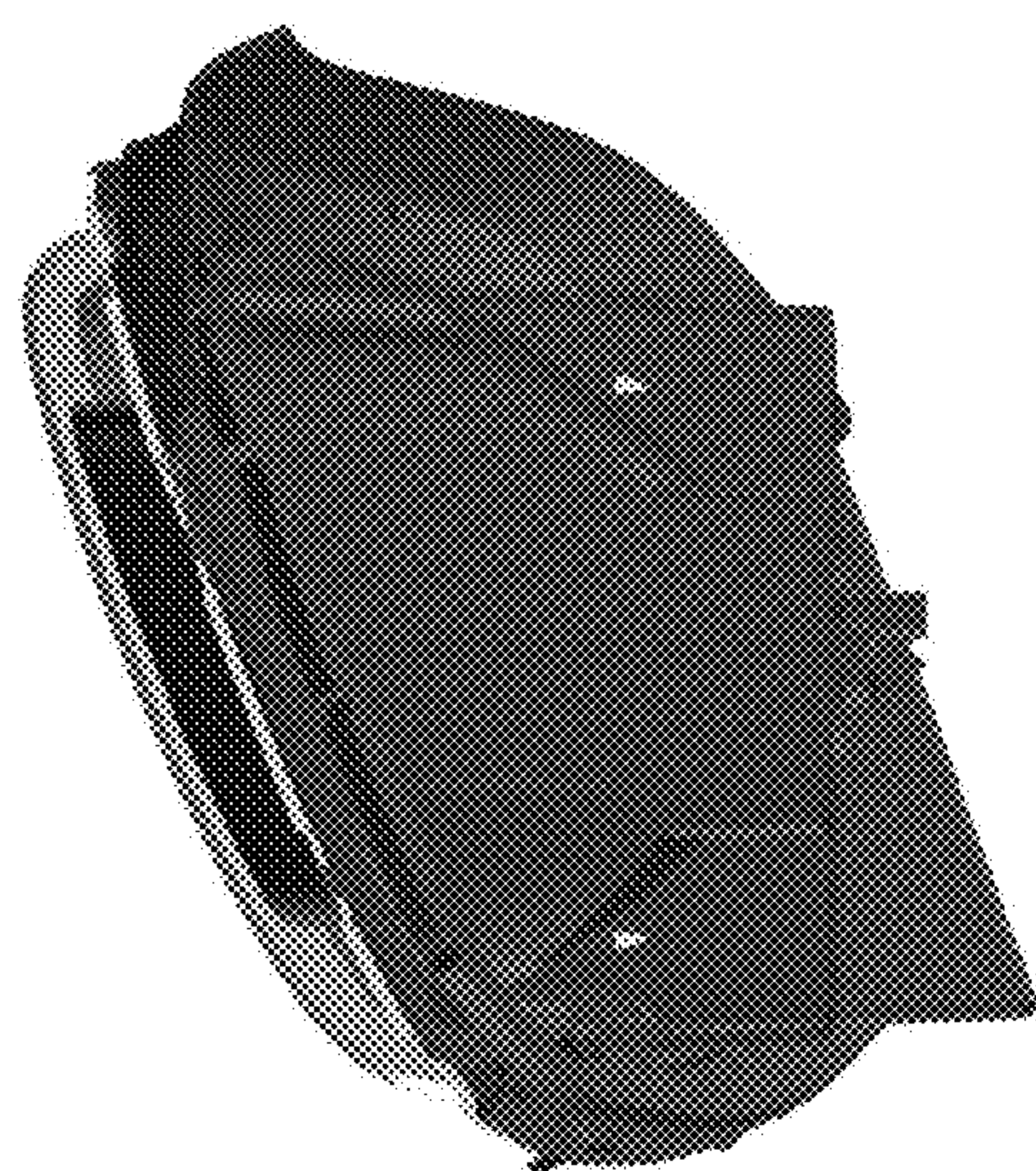


Fig. 7





Fig. 8