



US00D852992S

(12) **United States Design Patent**
Morgenstern

(10) **Patent No.:** **US D852,992 S**
(45) **Date of Patent:** **** Jul. 2, 2019**

(54) **TAILLIGHT FOR A VEHICLE**
(71) Applicant: **Bayerische Motoren Werke**
Aktiengesellschaft, Munich (DE)
(72) Inventor: **Sebastian Morgenstern, Karlsfeld (DE)**
(73) Assignee: **Bayerische Motoren Werke**
Aktiengesellschaft, Munich (DE)
(**) Term: **15 Years**

D805,229 S 12/2017 Morgenstern
D806,919 S * 1/2018 Hatton D26/28
D808,048 S * 1/2018 Hannemann D26/28
D810,974 S * 2/2018 Sato D26/28
D811,633 S * 2/2018 Gould D26/28
D812,792 S * 3/2018 Jae D26/28

* cited by examiner

Primary Examiner — Marcus A Jackson
(74) *Attorney, Agent, or Firm* — Crowell & Moring LLP

(21) Appl. No.: **29/632,573**
(22) Filed: **Jan. 9, 2018**

(57) **CLAIM**

The ornamental design for a taillight for a vehicle, as shown and described.

(30) **Foreign Application Priority Data**

Jul. 18, 2017 (DE) 40 2017 100 835

DESCRIPTION

(51) **LOC (11) Cl.** **26-06**
(52) **U.S. Cl.**
USPC **D26/28**
(58) **Field of Classification Search**
USPC D26/28–36
CPC B62J 6/001; B62J 6/02; B60Q 9/13; B60Q
9/135; B60Q 9/1375; F21S 48/00; F21S
48/10; F21S 48/115; F21S 48/225; F21S
48/1233; F21S 48/1266; F21S 48/1388;
F21S 48/2268; F21V 21/04
See application file for complete search history.

This application contains subject matter related to the following co-pending U.S. design patent applications: Application Ser. No. 29/632,574, filed herewith and entitled “Taillight for a Vehicle”; and Application Ser. No. 29/632,575, filed herewith and entitled “Taillight for a Vehicle”.
FIG. 1 is a front view of a taillight for a vehicle according to the design;
FIG. 2 is a left perspective view thereof;
FIG. 3 is a right perspective view thereof;
FIG. 4 is a left side view thereof;
FIG. 5 is a right side view thereof;
FIG. 6 is a top view thereof;
FIG. 7 is a bottom view thereof; and,
FIG. 8 is a rear view thereof.

(56) **References Cited**
U.S. PATENT DOCUMENTS

D756,001 S 5/2016 Schneider
D765,293 S 8/2016 Schneider

1 Claim, 8 Drawing Sheets



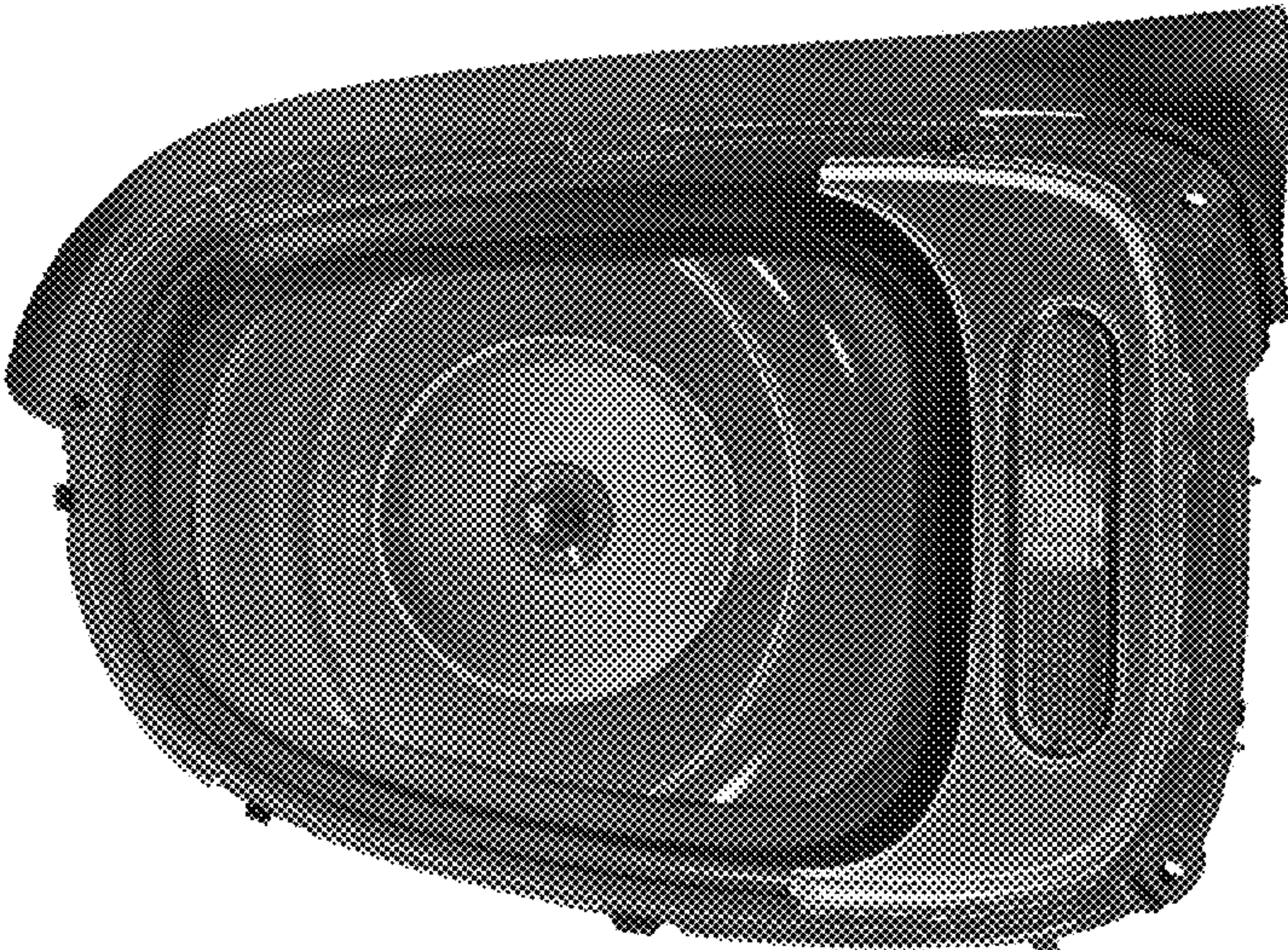


Fig. 1



Fig. 2

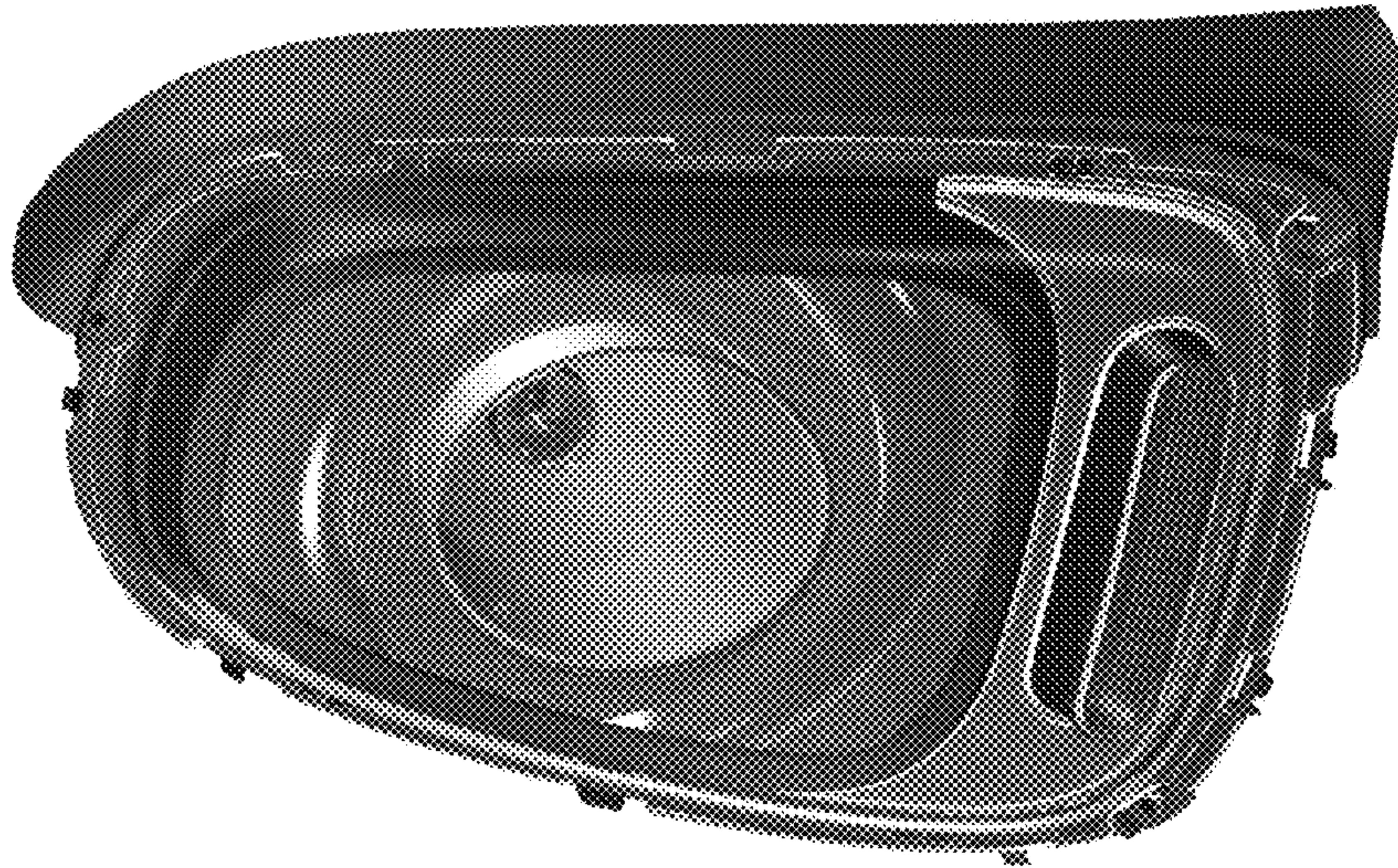


Fig. 3

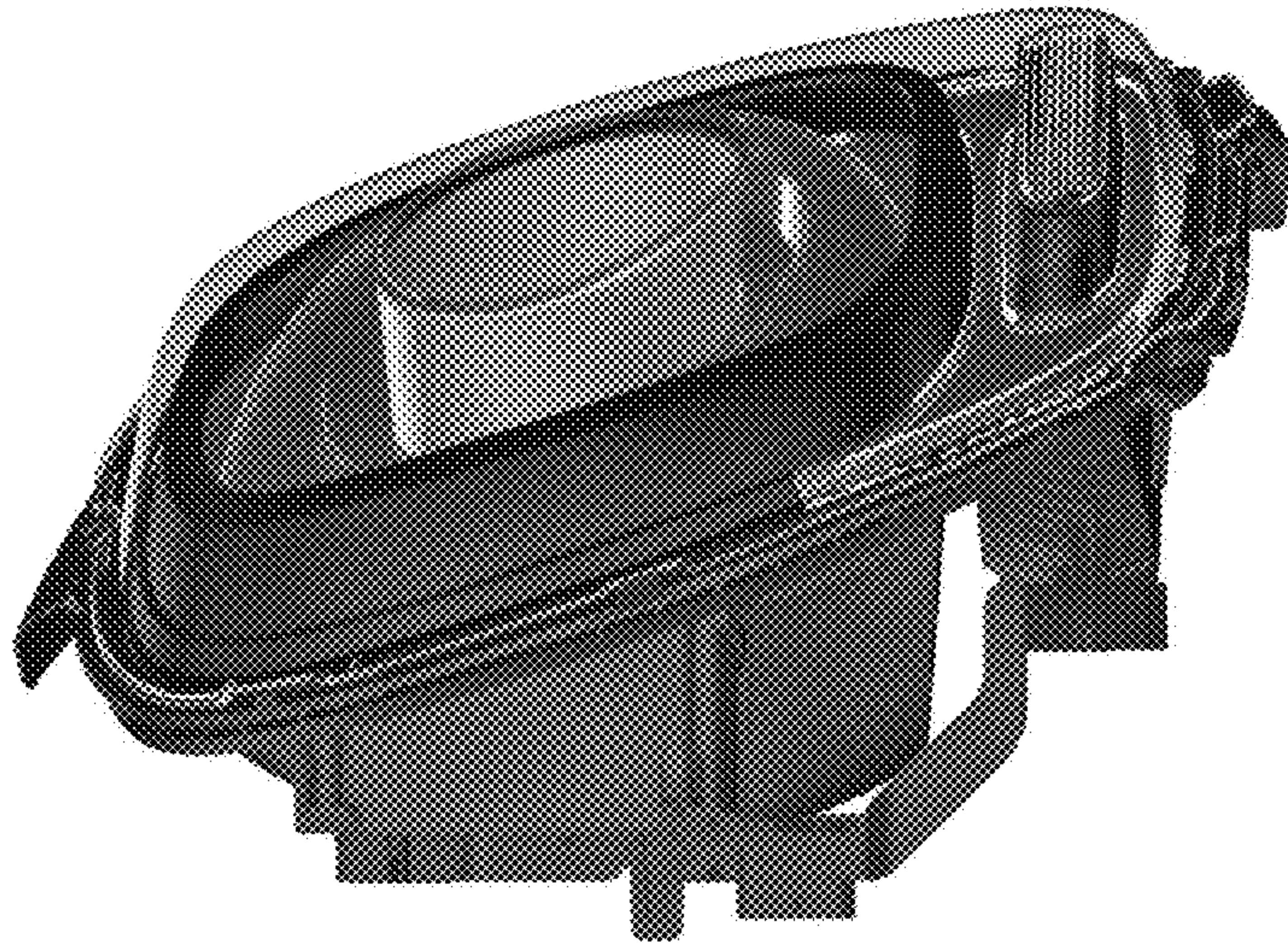


Fig. 4

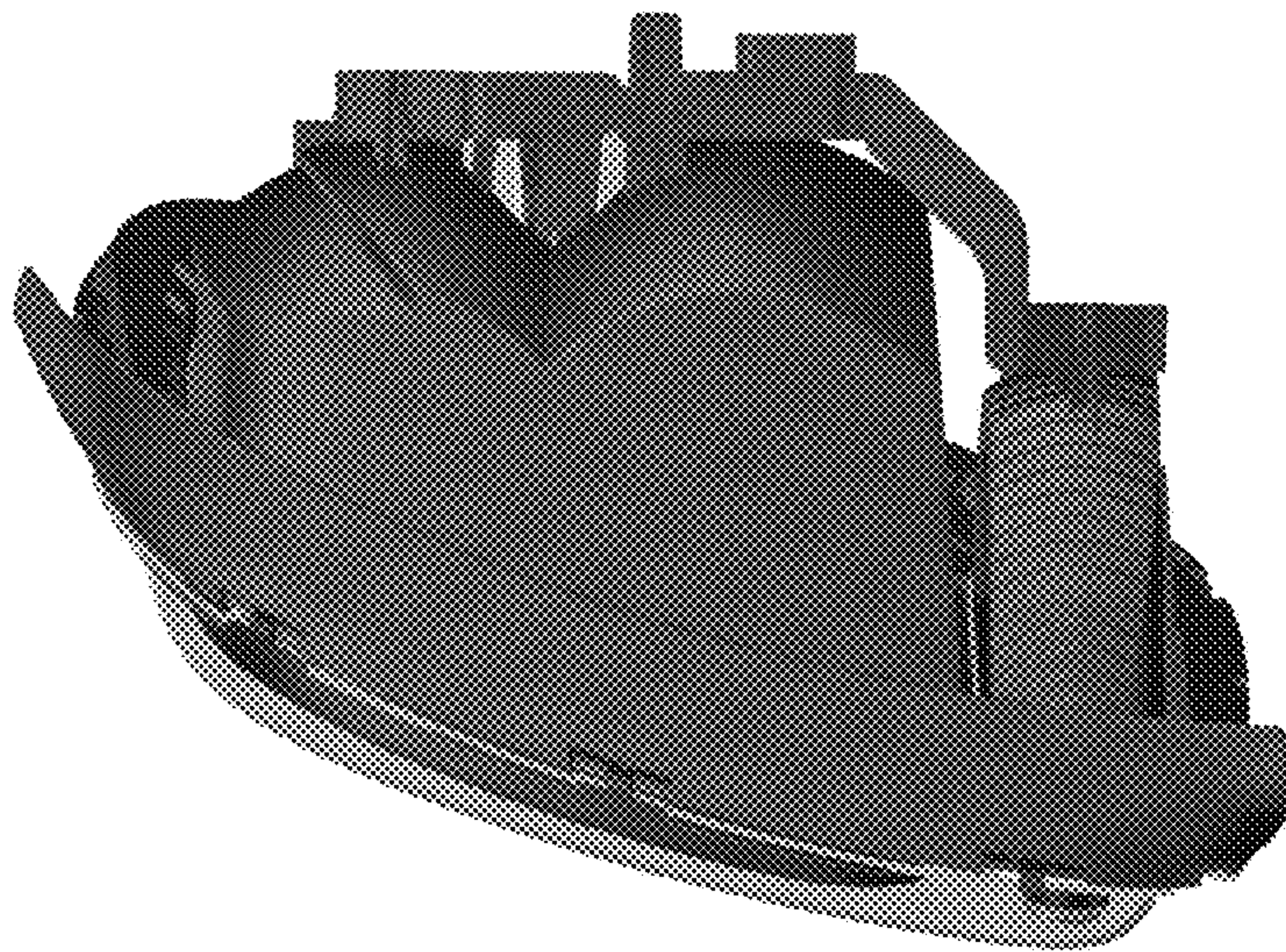


Fig. 5

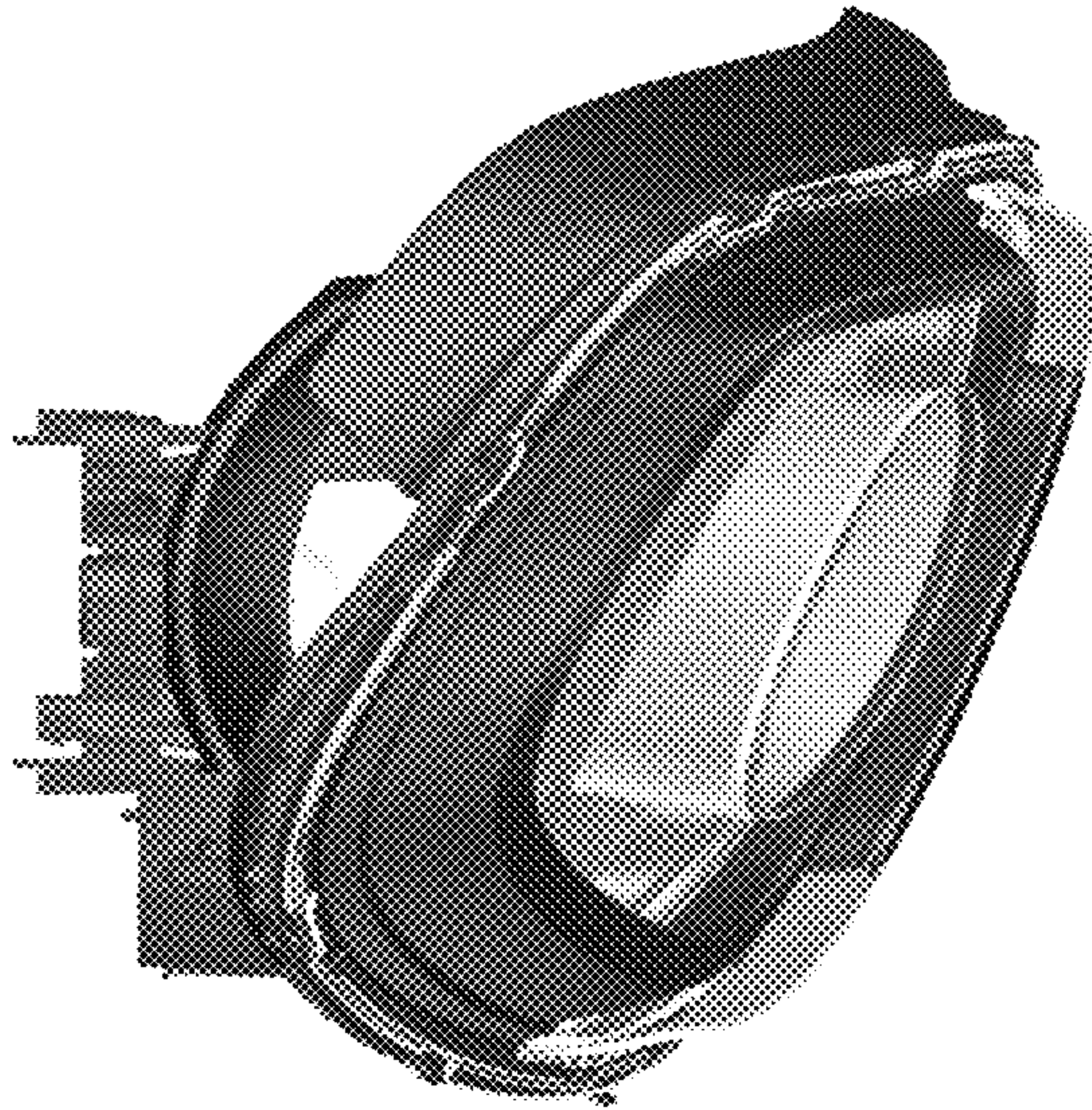


Fig. 6

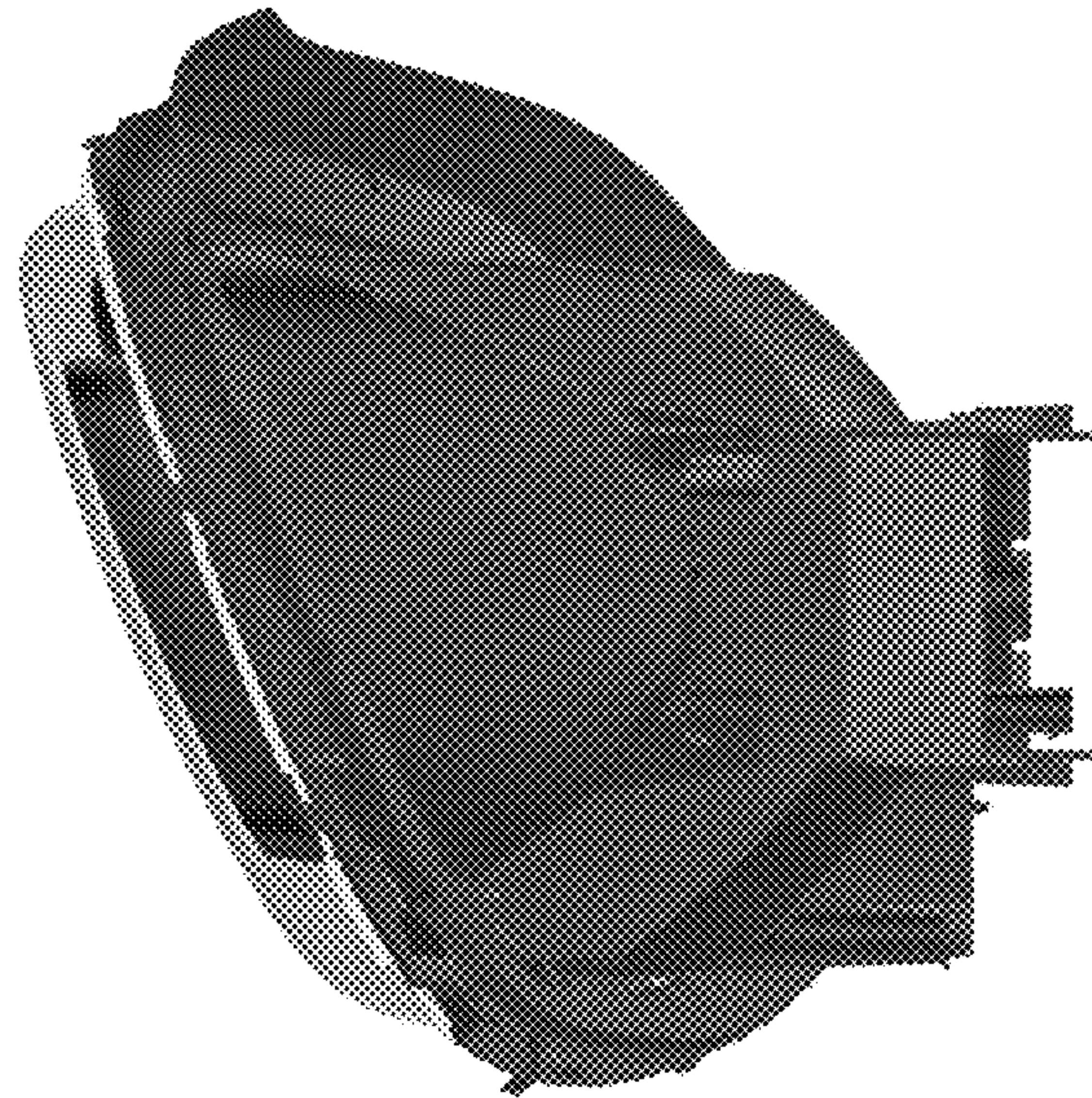


Fig. 7

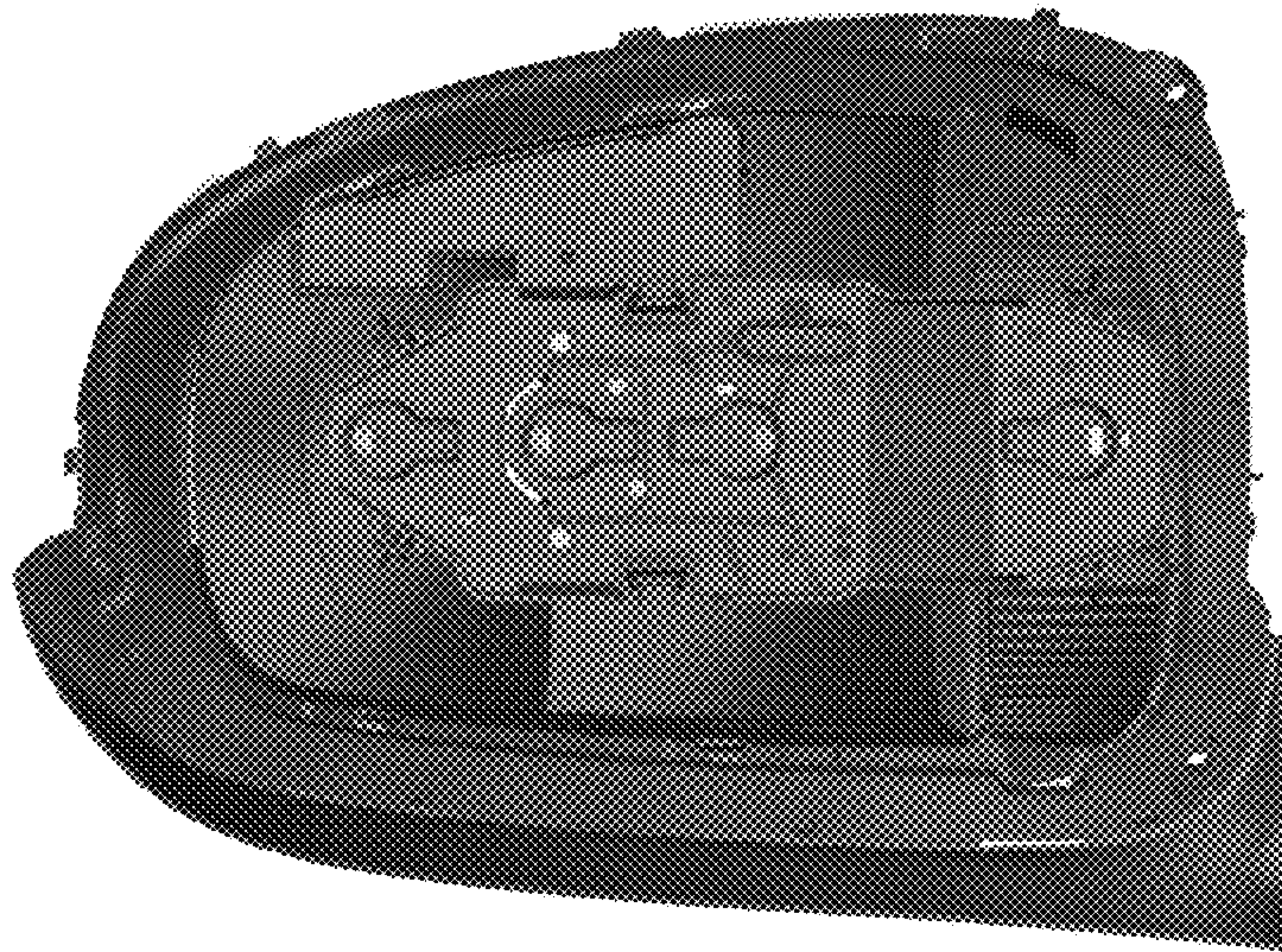


Fig. 8