



US00D852989S

(12) **United States Design Patent**  
**Yao**

(10) **Patent No.:** **US D852,989 S**

(45) **Date of Patent:** **\*\* Jul. 2, 2019**

(54) **MUSIC FOUNTAIN LIGHT**

(56) **References Cited**

(71) Applicant: **Baowei Yao**, Gansu (CN)

U.S. PATENT DOCUMENTS

(72) Inventor: **Baowei Yao**, Gansu (CN)

D531,741 S	*	11/2006	Takahashi	.....	D26/2
D534,665 S	*	1/2007	Egawa	.....	D26/2
D538,950 S	*	3/2007	Maxik	.....	D26/2
D538,953 S	*	3/2007	Mama	.....	D26/2
D725,802 S	*	3/2015	Kuo	.....	D26/2

(73) Assignee: **Shanghia Homepower Industries Co., Ltd.**, Shanghai (CN)

\* cited by examiner

(\*\*) Term: **15 Years**

*Primary Examiner* — Marcus A Jackson

(21) Appl. No.: **29/634,039**

(57) **CLAIM**

(22) Filed: **Jan. 18, 2018**

I claim the ornamental design for a music fountain light, as shown and described.

(51) **LOC (11) Cl.** ..... **26-04**

**DESCRIPTION**

(52) **U.S. Cl.**

USPC ..... **D26/2**

(58) **Field of Classification Search**

USPC ..... D26/1-4

CPC ..... H01R 5/00; H01R 13/46; H01R 13/514;

H01R 31/048; H01R 31/02; H01J 5/00;

H01J 5/16; H01J 1/02; H01J 15/00; H01J

5/48; H01J 5/50; H01J 19/54; F21V 5/00;

F21V 13/00; F21V 29/004

See application file for complete search history.

FIG. 1 is a perspective view of a music fountain light showing my new design;

FIG. 2 is a front elevational view thereof;

FIG. 3 is a rear elevational view thereof;

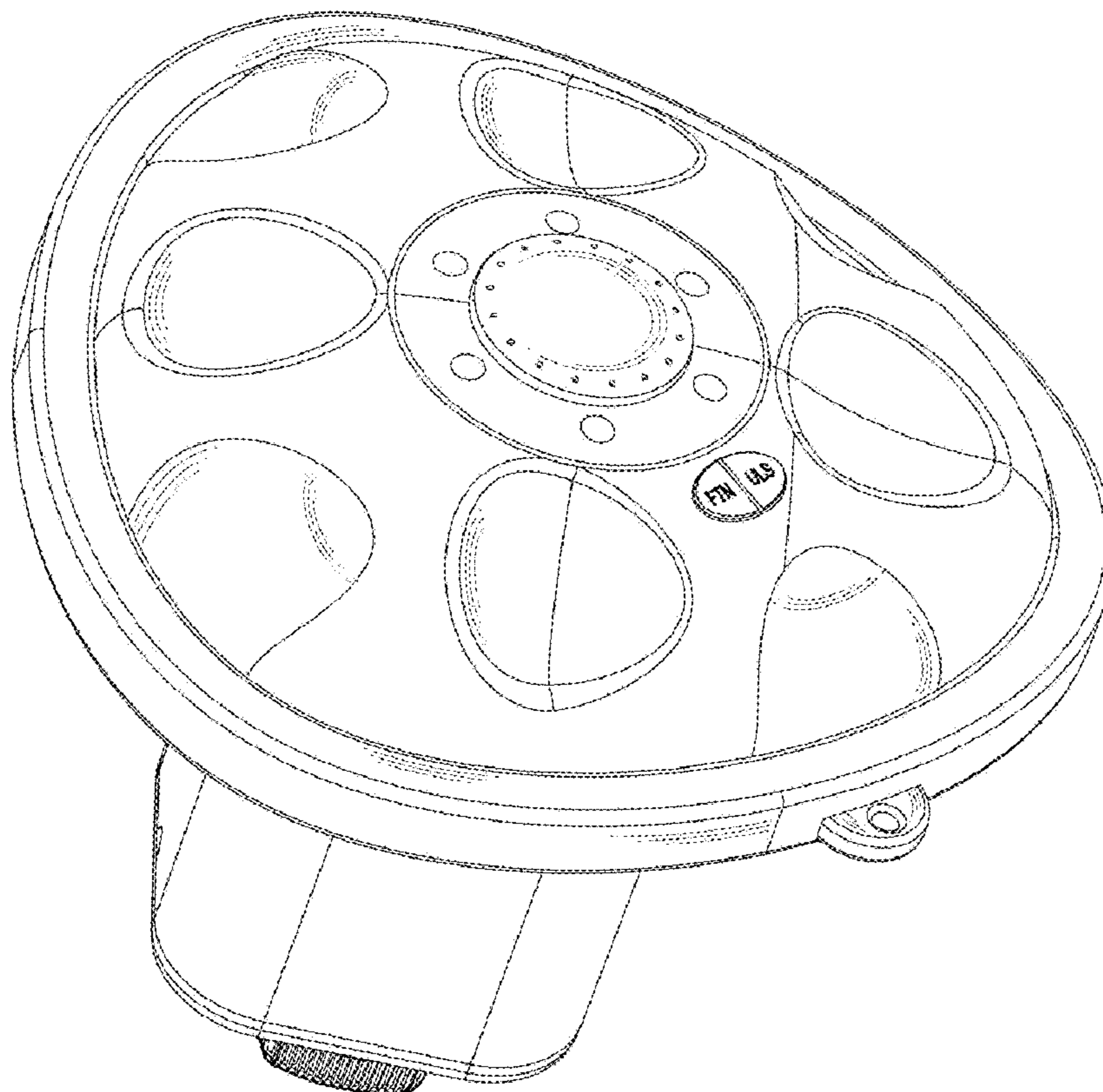
FIG. 4 is a left side elevational view thereof;

FIG. 5 is a right side elevational view thereof;

FIG. 6 is a top plan view thereof; and,

FIG. 7 is a bottom plan view thereof.

**1 Claim, 7 Drawing Sheets**



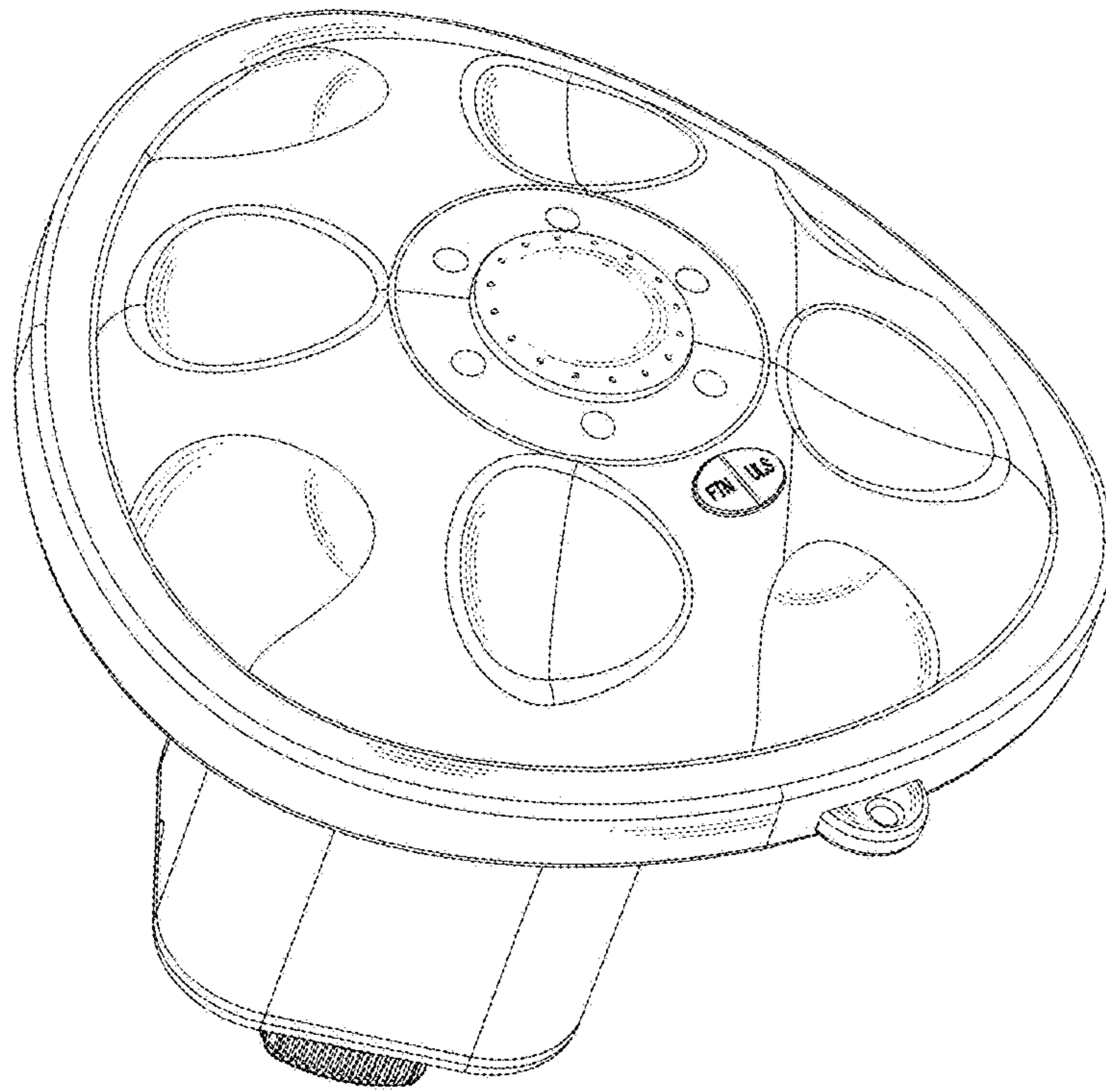


FIG. 1

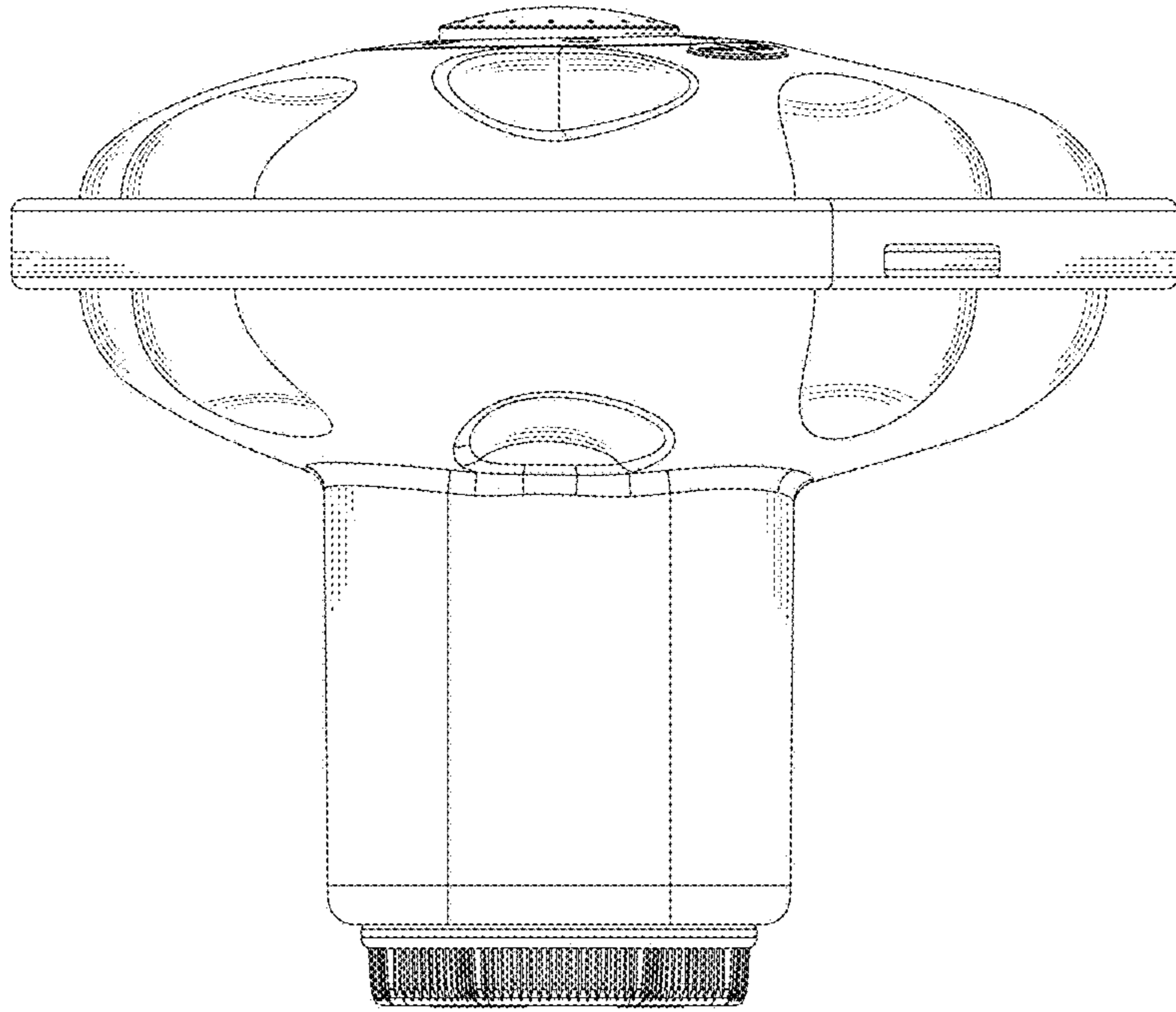


FIG.2

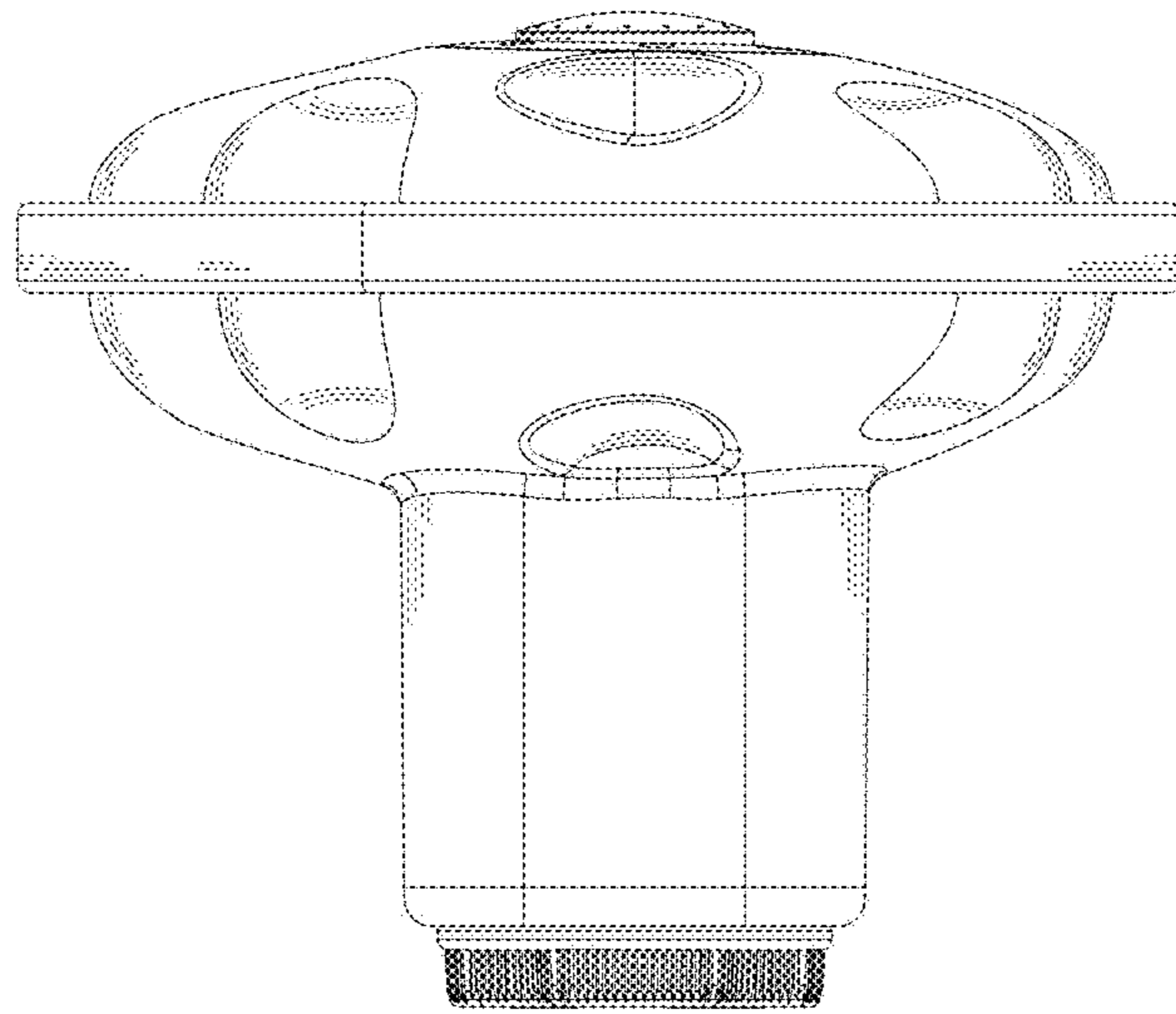


FIG.3

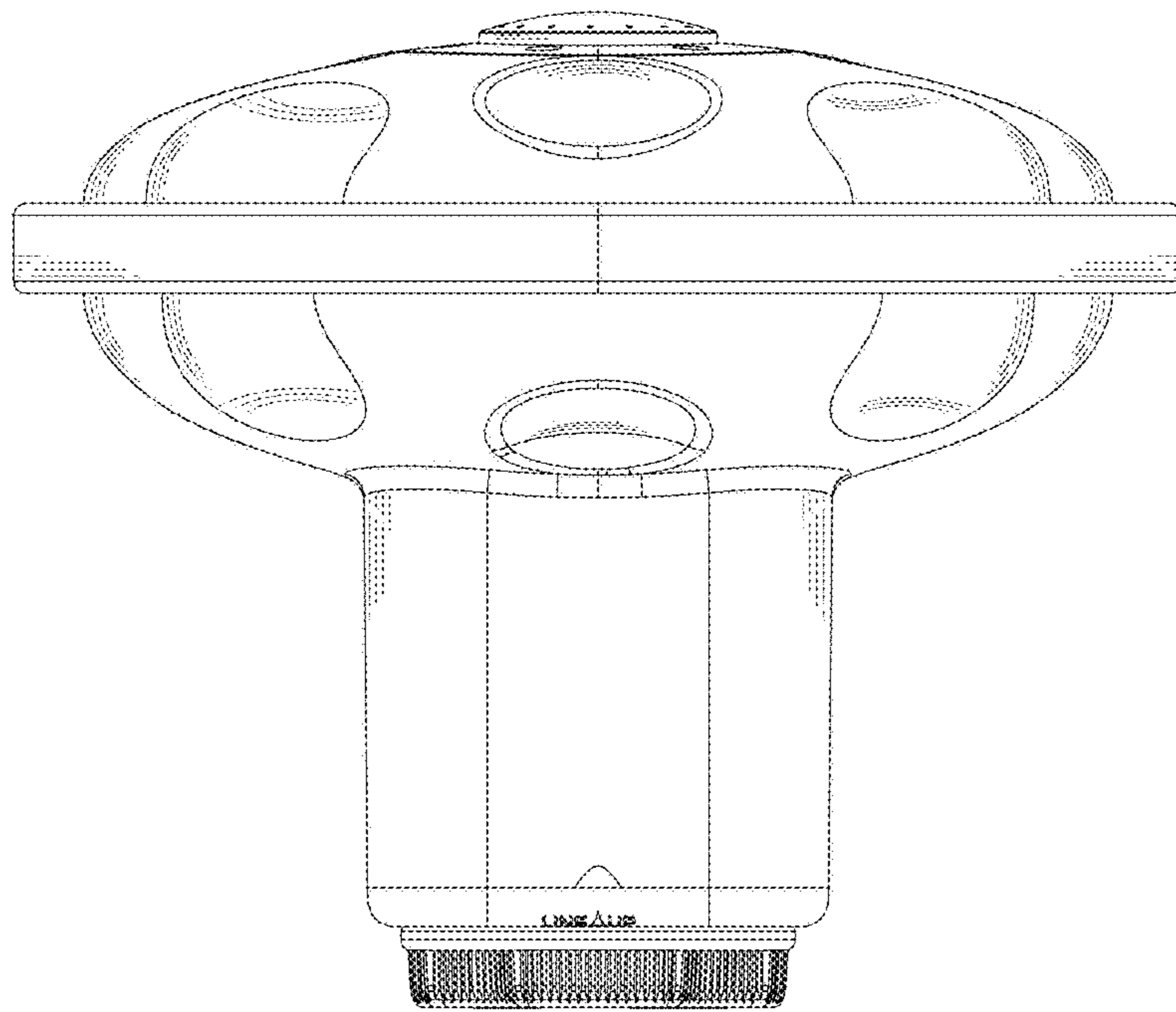


FIG.4

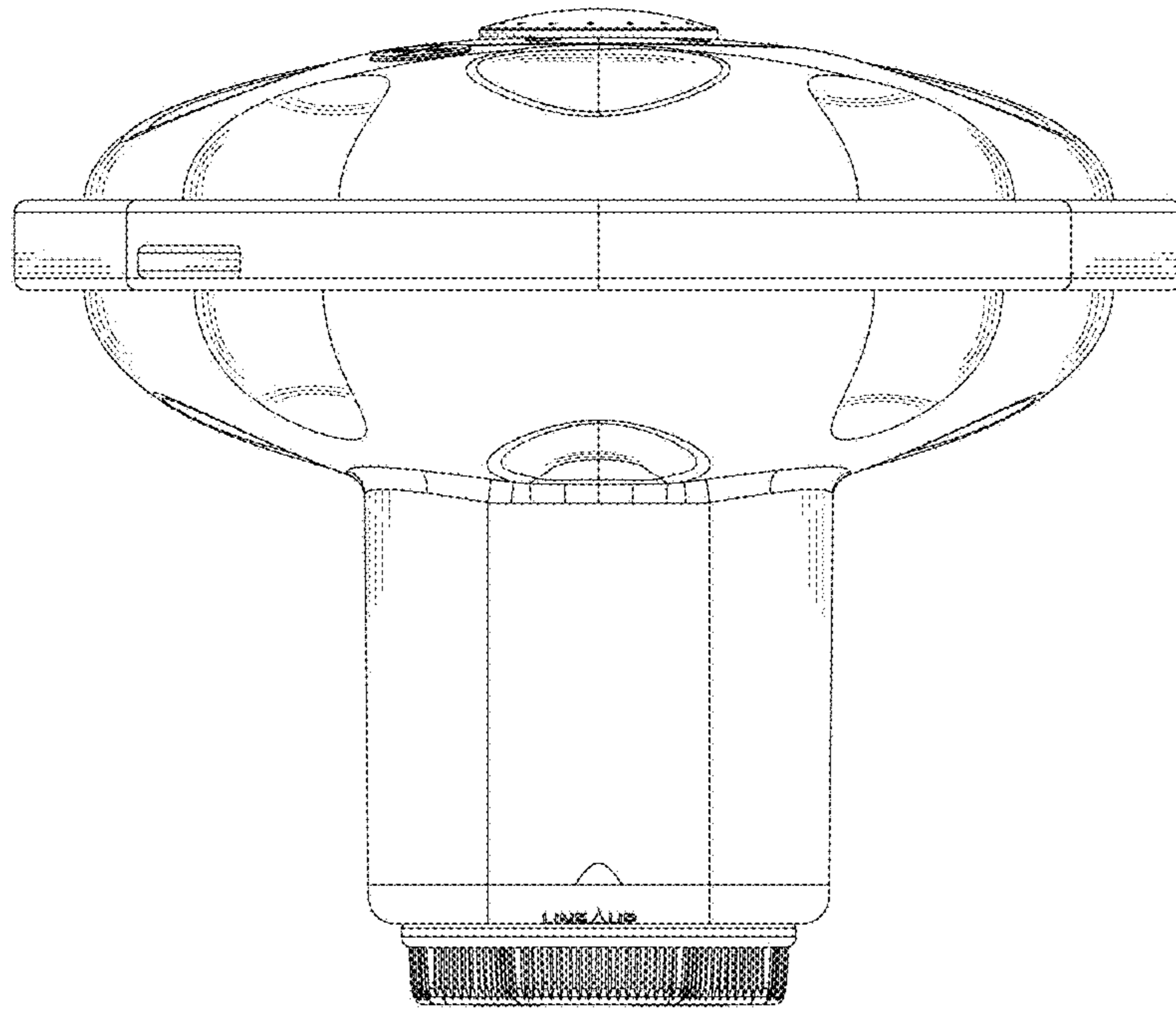


FIG.5

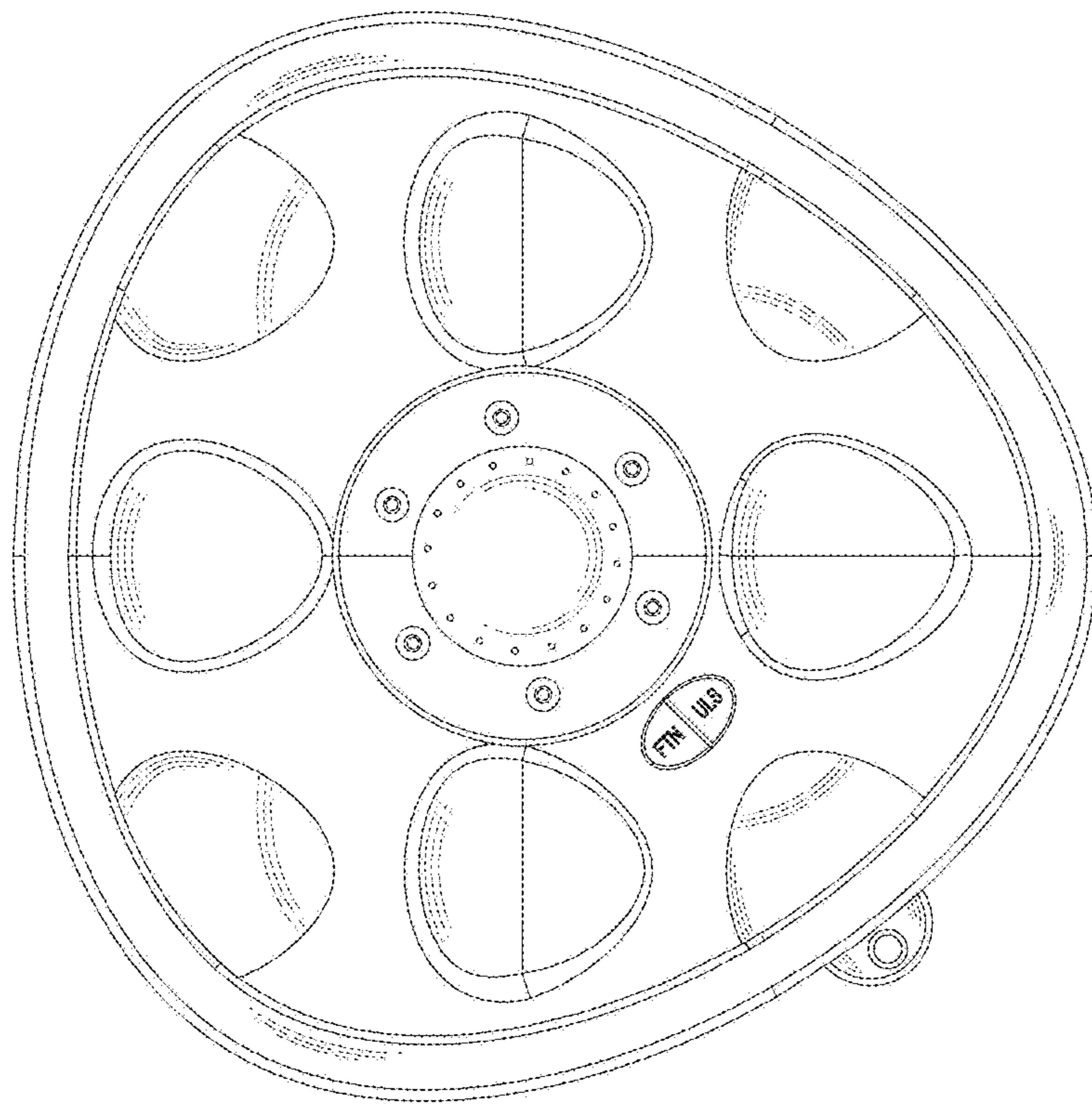


FIG.6

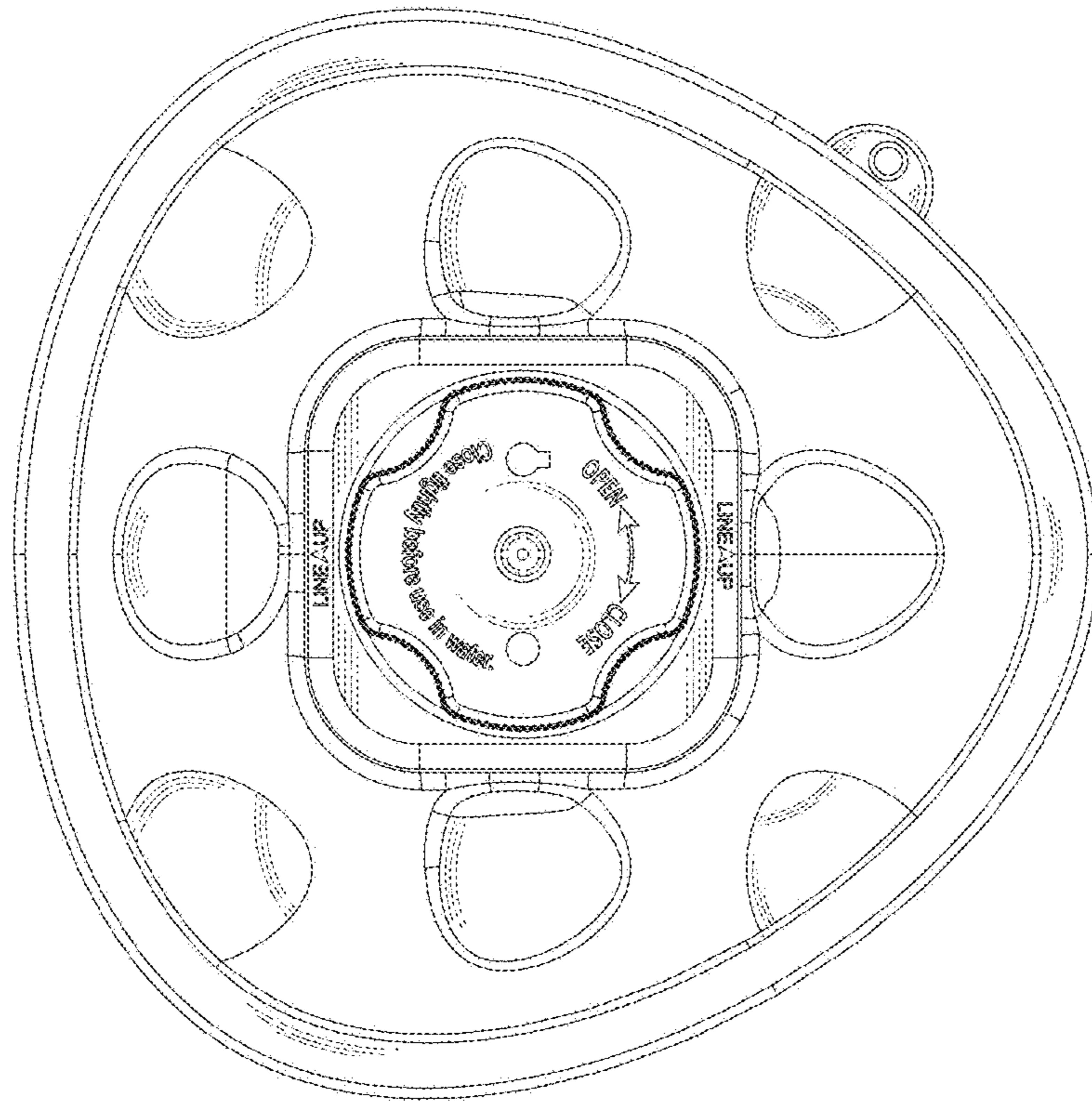


FIG. 7