



US00D852985S

(12) **United States Design Patent**
Kosonen

(10) **Patent No.:** **US D852,985 S**
(45) **Date of Patent:** **** Jul. 2, 2019**

(54) **WINDOW COMPONENT EXTRUSION**

(71) Applicant: **Mikron Industries, Inc.**, Kent, WA
(US)

(72) Inventor: **Martin S. Kosonen**, Seattle, WA (US)

(73) Assignee: **Mikron Industries, Inc.**, Kent, WA
(US)

(**) Term: **15 Years**

(21) Appl. No.: **29/643,220**

(22) Filed: **Apr. 5, 2018**

Related U.S. Application Data

(62) Division of application No. 29/608,225, filed on Jun. 20, 2017, now Pat. No. Des. 820,474.

(51) **LOC (11) Cl.** **25-01**

(52) **U.S. Cl.**
USPC **D25/124**

(58) **Field of Classification Search**
USPC D25/119–126
CPC ... E06B 1/02; E06B 1/04; E06B 1/045; E06B 1/12; E06B 1/14; E06B 1/2403; E06B 1/26; E06B 1/28; E06B 1/34; E06B 1/342; E06B 1/52; E06B 1/524; E06B 1/64; E06B 1/68

See application file for complete search history.

(56) **References Cited**

U.S. PATENT DOCUMENTS

D283,349 S *	4/1986	Slocomb, Jr.	D25/122
D334,819 S *	4/1993	Cole	D25/124
D335,358 S *	5/1993	Cole	D25/124
D372,541 S *	8/1996	Goss, Jr.	D25/124
D443,076 S *	5/2001	Fannan	D25/124
D467,012 S *	12/2002	Ballard	D25/124
D468,029 S *	12/2002	Salas	D25/124

D481,468 S *	10/2003	Dallaire	D25/119
D495,808 S *	9/2004	Habeck	D25/119
D500,562 S *	1/2005	Kim	D25/124
D594,141 S *	6/2009	Campbell	D25/124
D594,142 S *	6/2009	Campbell	D25/124
D664,679 S *	7/2012	Kim	D25/124
D724,763 S *	3/2015	Fannan	D25/124
D724,764 S *	3/2015	Fannan	D25/124
D724,765 S *	3/2015	Fannan	D25/124
D724,766 S *	3/2015	Fannan	D25/124
D724,767 S *	3/2015	Cloutier	D25/125
D724,768 S *	3/2015	Cloutier	D25/125
D725,295 S *	3/2015	Fannan	D25/124
D725,797 S *	3/2015	Fannan	D25/124
D725,798 S *	3/2015	Fannan	D25/124
D731,677 S *	6/2015	Bernier	D25/125
D732,704 S *	6/2015	Decicio	D25/124
D736,958 S *	8/2015	Chaney	D25/124
D769,464 S *	10/2016	Fannan	D25/124
D769,465 S *	10/2016	Fannan	D25/124
D769,466 S *	10/2016	Fannan	D25/124

(Continued)

Primary Examiner — Cynthia Ramirez

Assistant Examiner — L. Martinez

(74) *Attorney, Agent, or Firm* — Zollinger & Burleson Ltd.

(57) **CLAIM**

The ornamental design for a window component extrusion, as shown and described.

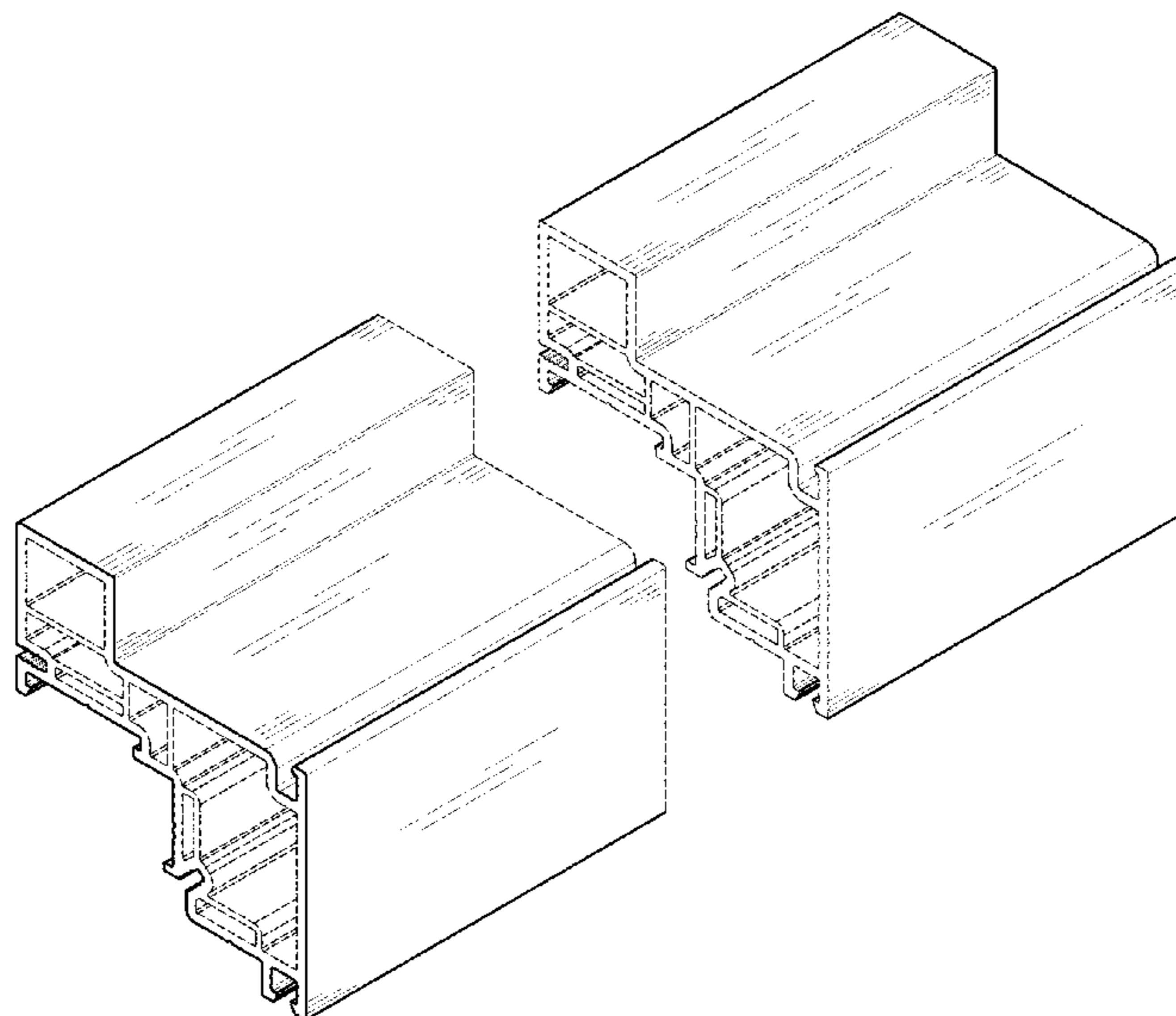
DESCRIPTION

FIG. 1 is a top perspective view of a window component extrusion showing my new design; and,

FIG. 2 is a bottom perspective view thereof.

The window component extrusion is shown with a symbolic break in its length. The appearance of the window component extrusion between the break lines forms no part of the claimed design. The broken lines of the drawings show portions that form no part of the claimed design.

1 Claim, 2 Drawing Sheets



(56)

References Cited

U.S. PATENT DOCUMENTS

D813,418 S * 3/2018 Ewoldt D25/119
D820,474 S * 6/2018 Kosonen D25/119

* cited by examiner

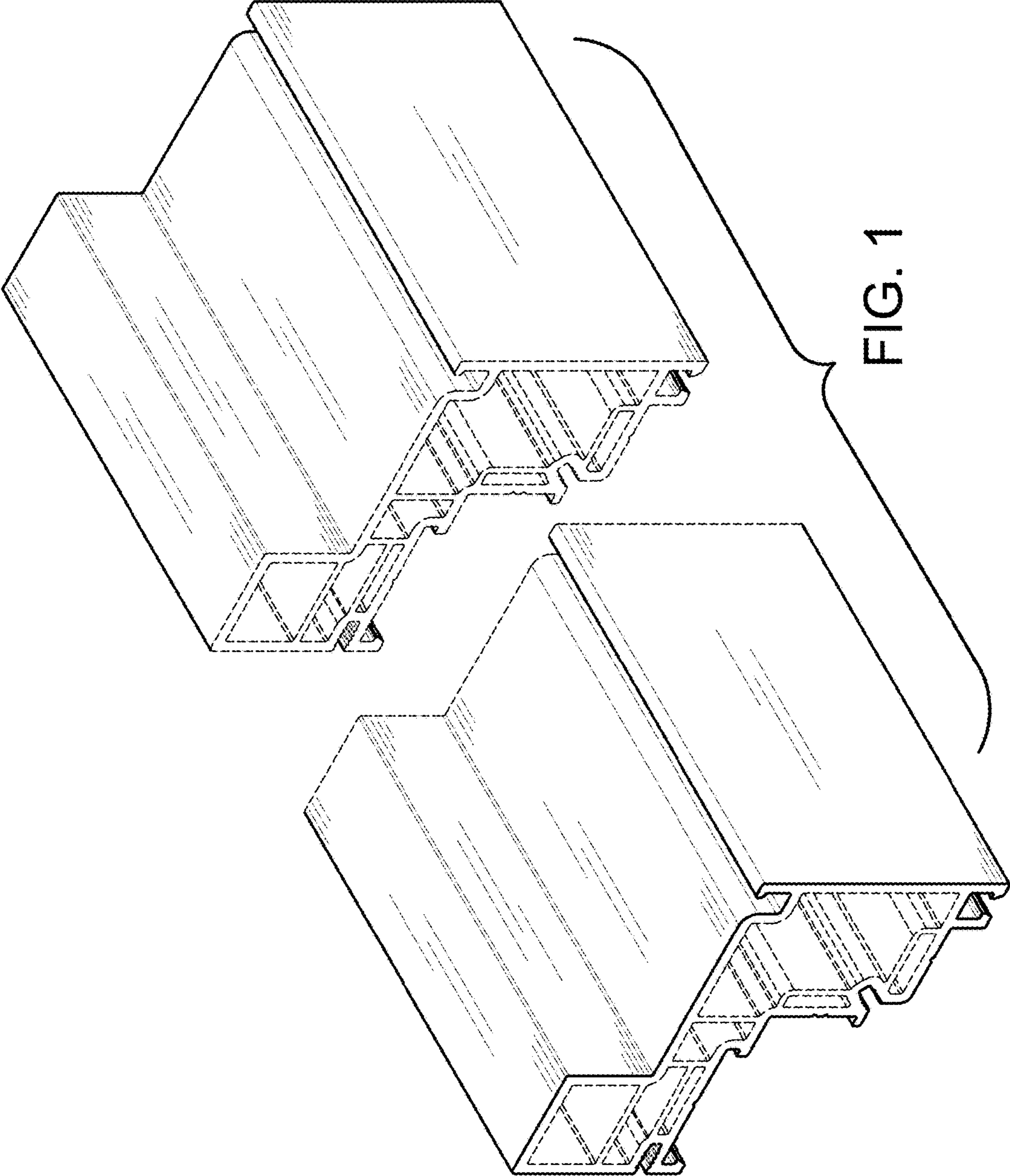


FIG. 1

