



US00D852982S

(12) **United States Design Patent** (10) **Patent No.:** **US D852,982 S**
Alsdorf et al. (45) **Date of Patent:** **** Jul. 2, 2019**

(54) **DOOR FACING**

(71) Applicant: **Masonite Corporation**, Tampa, FL (US)

(72) Inventors: **Shaun Alsdorf**, Jackson, MO (US);
Timothy D. Gouge, Elgin, IL (US);
Robert C. Allen, Elburn, IL (US)

(73) Assignee: **Masonite Corporation**, Tampa, FL (US)

(*) Notice: This patent is subject to a terminal disclaimer.

(**) Term: **15 Years**

(21) Appl. No.: **29/625,958**

(22) Filed: **Nov. 14, 2017**

Related U.S. Application Data

(63) Continuation of application No. 29/534,838, filed on Jul. 31, 2015, now Pat. No. Des. 802,794, which is a (Continued)

(51) **LOC (11) Cl.** **25-02**

(52) **U.S. Cl.**
USPC **D25/48.3**

(58) **Field of Classification Search**
USPC D25/48.3, 48.4, 48.5, 48.6, 48.7, 48.8,
D25/138

(Continued)

(56) **References Cited**

U.S. PATENT DOCUMENTS

1,018,896 A 2/1912 Frey
5,016,414 A 5/1991 Wang

(Continued)

FOREIGN PATENT DOCUMENTS

EM 000802152-0011 1/2008
EM 002540633-0001 * 10/2014
EM 002540633-0002 * 10/2014

OTHER PUBLICATIONS

<https://p.widencdn.net/fiea3/moldeeddimensionalspecs> Feb. 28, 2018 (Year: 2018).*

(Continued)

Primary Examiner — Leanne Was-Englehart
(74) *Attorney, Agent, or Firm* — Berenato & White, LLC

(57) **CLAIM**

The ornamental design for a door facing, as shown and described.

DESCRIPTION

FIG. 1 is a front perspective view of our design;
FIG. 2 is a front elevational view;
FIG. 3 is a rear elevational view;
FIG. 4 is a top plan view;
FIG. 5 is a bottom plan view;
FIG. 6 is a cross sectional view taken along the line 6-6 of FIG. 2;
FIG. 7 is a cross-sectional view taken along the line 7-7 of FIG. 2;
FIG. 8 is an enlarged fragmentary cross-sectional view of a portion of FIG. 6;
FIG. 9 is a left side elevational view;
FIG. 10 is a right side elevational view;
FIG. 11 is a cross sectional view taken along the line 11-11 of FIG. 2;
FIG. 12 is a front perspective view of a second version of our design;
FIG. 13 is a front elevational view;
FIG. 14 is a rear elevational view;
FIG. 15 is a top plan view;
FIG. 16 is a bottom plan view;
FIG. 17 is a cross sectional view taken along the line 17-17 of FIG. 13;
FIG. 18 is a cross sectional view taken along the line 18-18 of FIG. 13;
FIG. 19 is an enlarged fragmentary cross sectional view of a portion of FIG. 17;
FIG. 20 is a left side elevational view;
FIG. 21 is a right side elevational view; and,

(Continued)

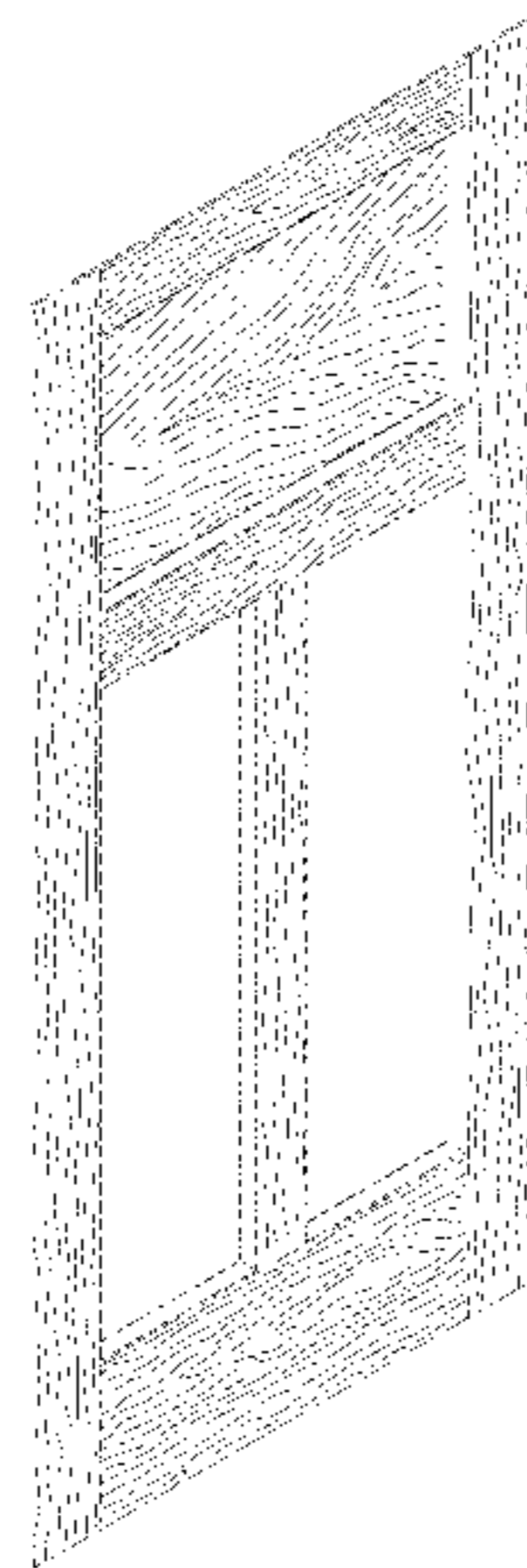
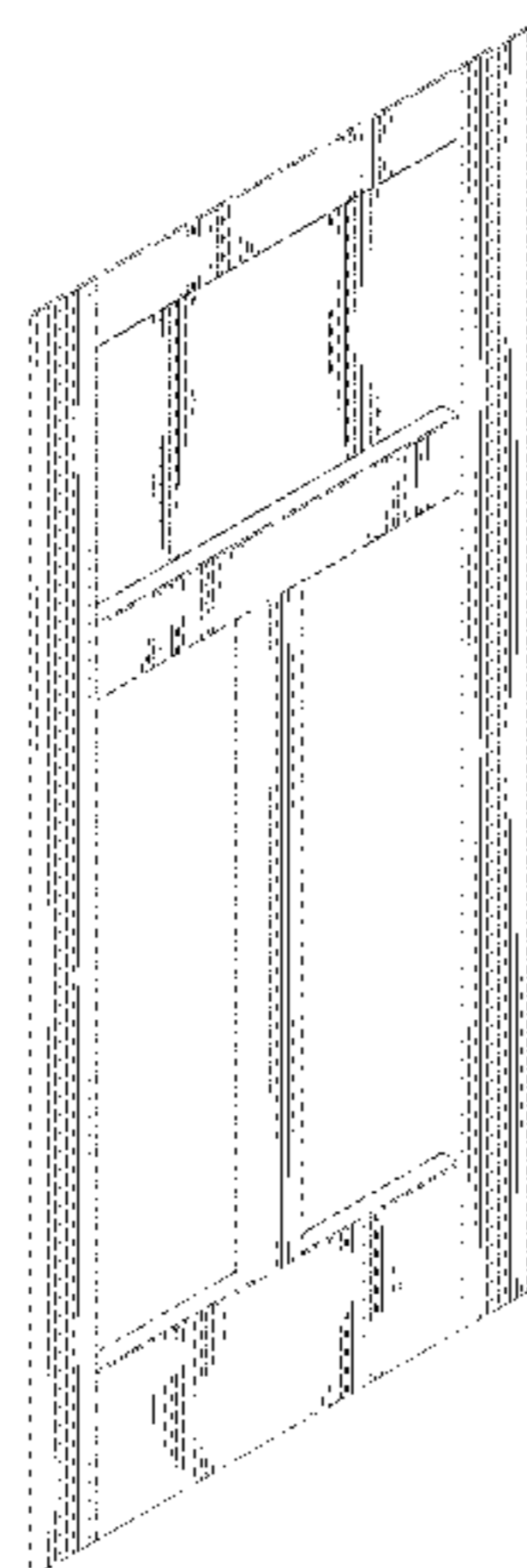


FIG. 22 is a cross sectional view taken along the line 22-22 of FIG. 13.

The profiles of FIGS. 8 and 19 extend continuously about all panels of the associated door facings.

The broken lines designate unclaimed features of panels of the door facing and seams on the front of the door facing, and form no part of the claimed design.

The dot-dot-dash broken lines of FIGS. 6, 8, 17, and 19 depict the limit of the enlarged views and form no part of the claimed design.

1 Claim, 12 Drawing Sheets

Related U.S. Application Data

continuation of application No. 29/479,197, filed on Jan. 13, 2014, now Pat. No. Des. 736,410.

(58) **Field of Classification Search**

CPC E06B 3/58; E06B 3/72; E06B 3/78; E06B 3/485; E06B 3/4636; E06B 3/5892; E06B 2003/7044; E06B 1/04; E06B 5/00

See application file for complete search history.

(56) **References Cited**

U.S. PATENT DOCUMENTS

5,293,726	A	3/1994	Schick	
D467,350	S	12/2002	Jimenez et al.	
D510,771	S *	10/2005	Walsh	D25/138
D516,226	S	2/2006	Lynch et al.	
7,022,414	B2	4/2006	Davina et al.	
D526,418	S *	8/2006	Walsh	D25/138
D528,664	S	9/2006	Lynch et al.	
D528,665	S	9/2006	Lynch et al.	
D529,189	S	9/2006	Walsh et al.	
D536,099	S	1/2007	Walsh et al.	

D538,440	S	3/2007	Walsh et al.	
D543,641	S *	5/2007	Walsh	D25/138
D552,252	S	10/2007	Davina et al.	
D553,755	S	10/2007	Davina et al.	
D576,289	S	9/2008	Steiber et al.	
D587,813	S	3/2009	Steiber et al.	
D588,710	S	3/2009	Walsh et al.	
D598,134	S	8/2009	Davina et al.	
D607,120	S	12/2009	Davina et al.	
D607,121	S	12/2009	Davina et al.	
D614,310	S	4/2010	Davina et al.	
D616,109	S	5/2010	Steiber et al.	
D683,865	S *	6/2013	Walsh	D25/48.3
D687,164	S *	7/2013	Walsh	D25/48.3
D695,912	S *	12/2013	Walsh	D25/48.3
D698,040	S *	1/2014	Walsh	D25/48.3
D733,929	S *	7/2015	Alsdorf	D25/48.3
D736,410	S *	8/2015	Alsdorf	D25/48.3
D743,573	S *	11/2015	Walsh	D25/48.3
D745,702	S *	12/2015	Walsh	D25/48.3
D802,794	S *	11/2017	Alsdorf	D25/48.3
2010/0229500	A1	9/2010	Lynch et al.	
2016/0040476	A1 *	2/2016	Gouge	E06B 3/7001 52/784.16
2017/0362884	A1 *	12/2017	Gouge	B27N 7/005

OTHER PUBLICATIONS

https://www.homedepot.com/p/JELD-WEN-36-in-x-80-in-Craftsman-Primed-Smooth-Molded-Composite-MDF-Interior-Door-Slab-THDJW137100142/202646599?cm_mmc=Shopping%7cTHD%7cG%7c0%7cG-BASE-PLA-D30-Doors%7c&gclid=EAlalQobChMkMqattPE2wlVikoNCh3tkgADEAQYCiABEgLL2PD_BwE&dclid=CODy8r3TxNsCFVJCDAodaEAPLw Jun. 12, 2011 (Year: 2011).*

http://thedoortoryfl.com/residential_doors_fort_lauderdale_florida/index.php/catalogs/2012-06-03-13-59-03/2012-06-03-14-22-22/masonite-interior-doors Jun. 3, 2012 (Year: 2012).*

http://en.jeld-wen.ca/interior_doors/natural_wood/premium_wood_e/panel/ Available May 10, 2012.

* cited by examiner

FIG. 1

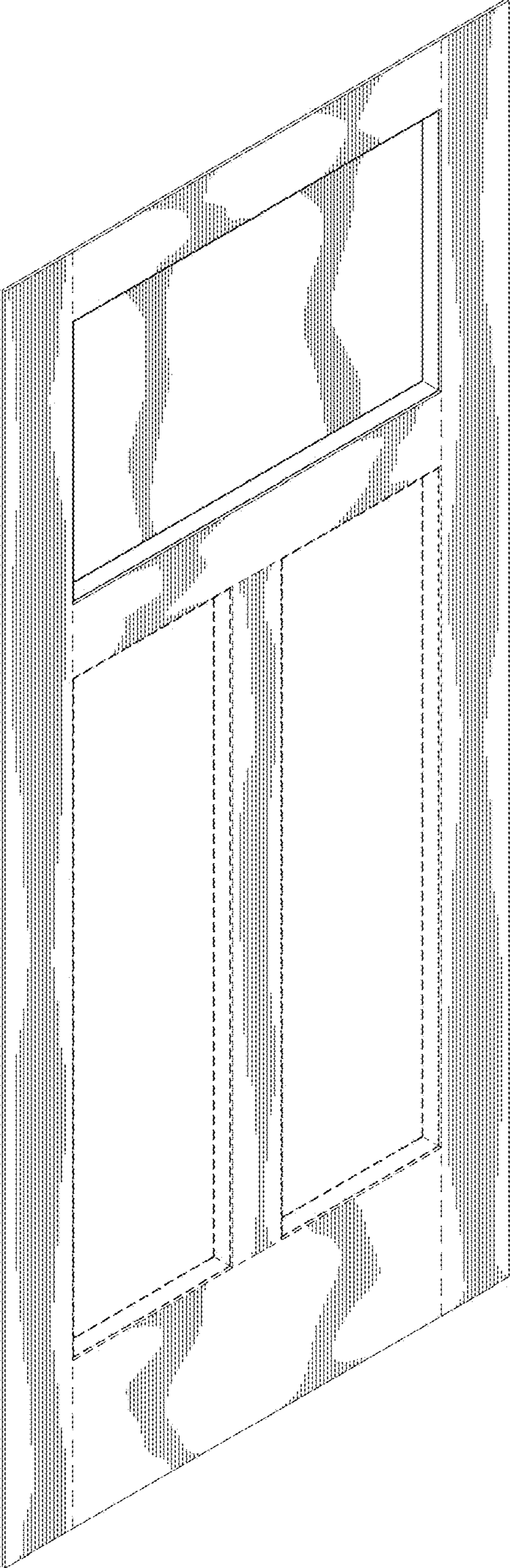


FIG. 2

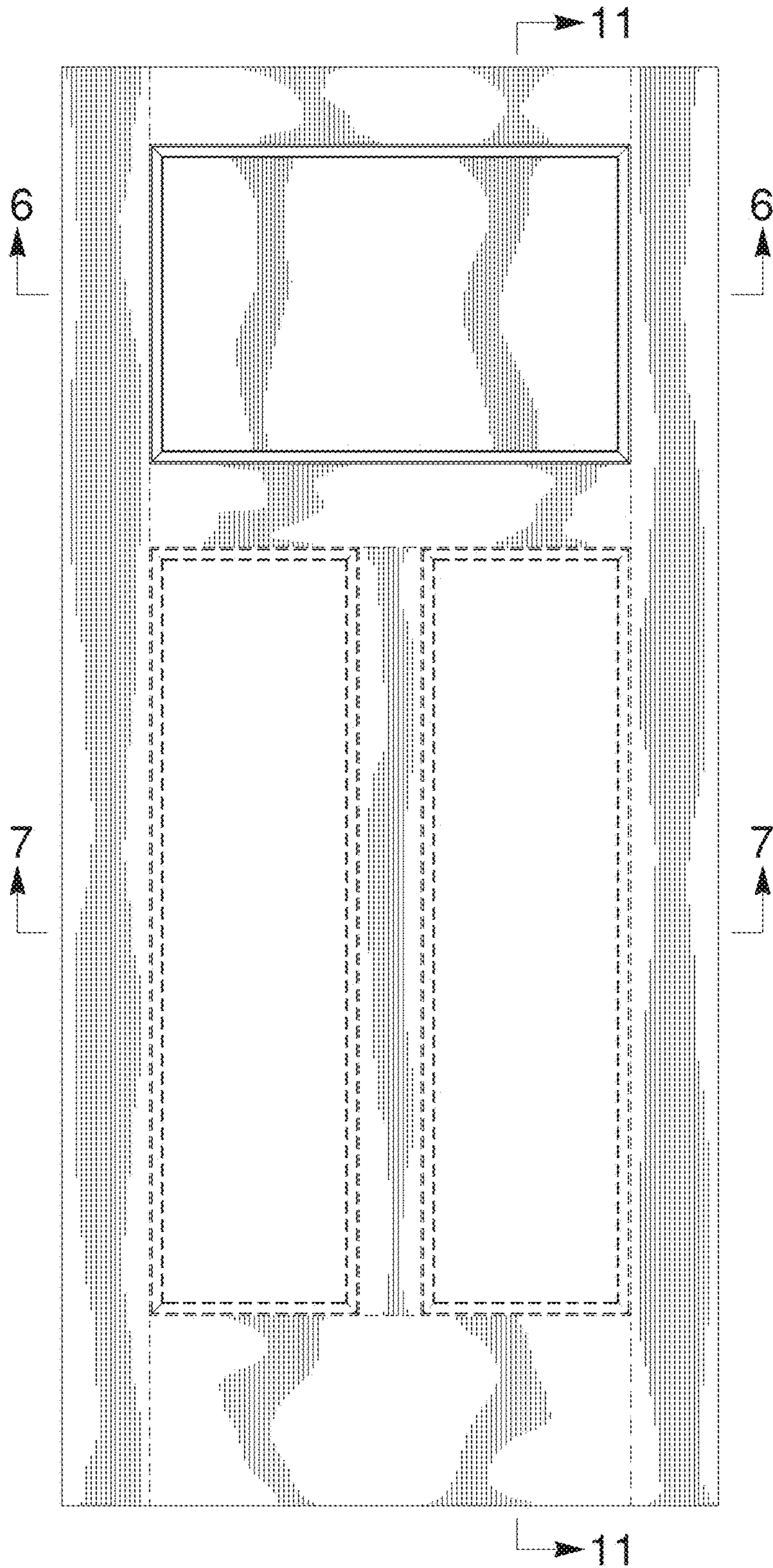


FIG. 3

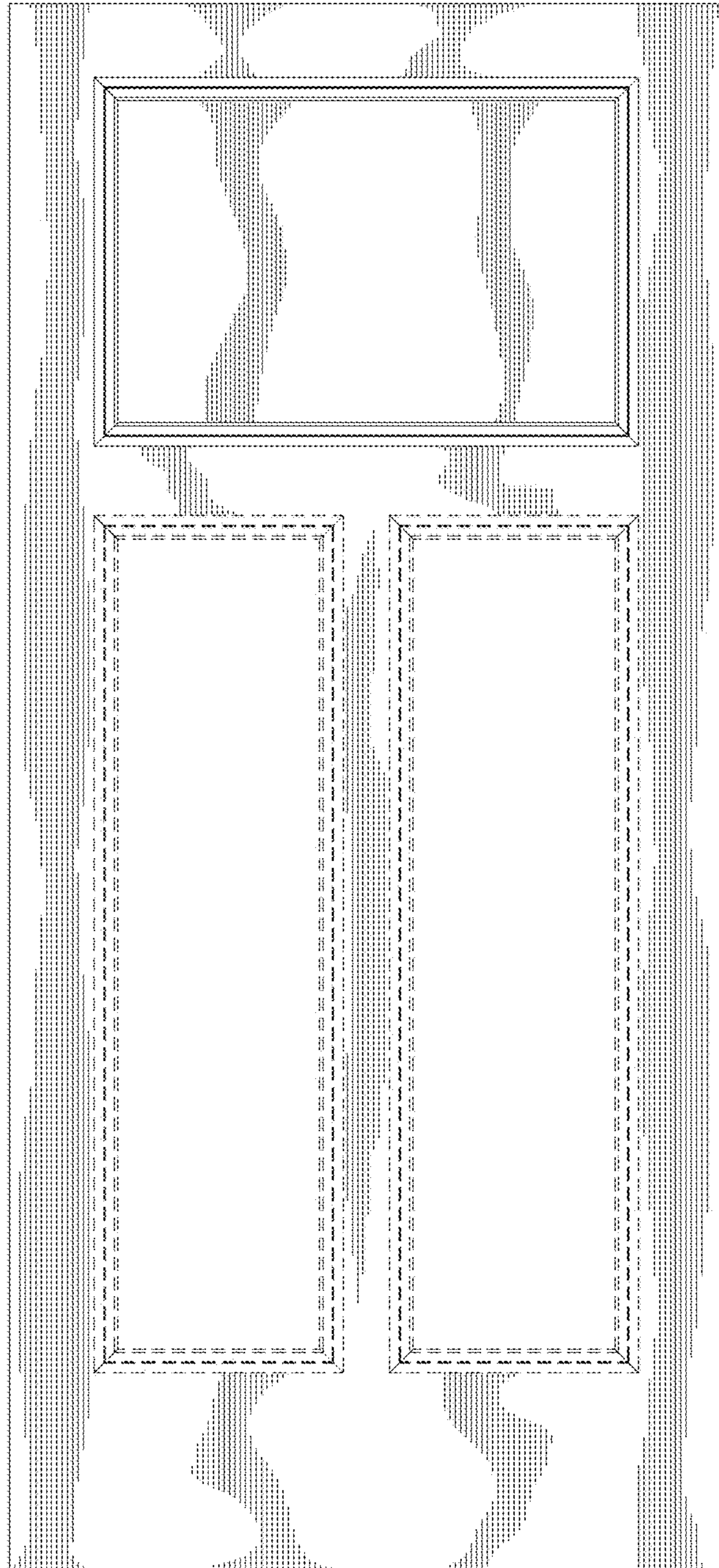


FIG. 4

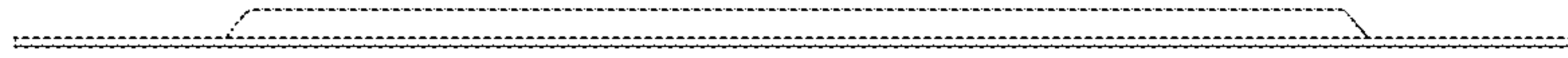


FIG. 5

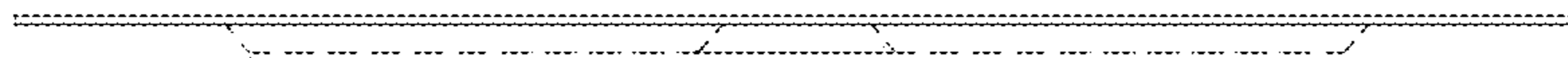


FIG. 6

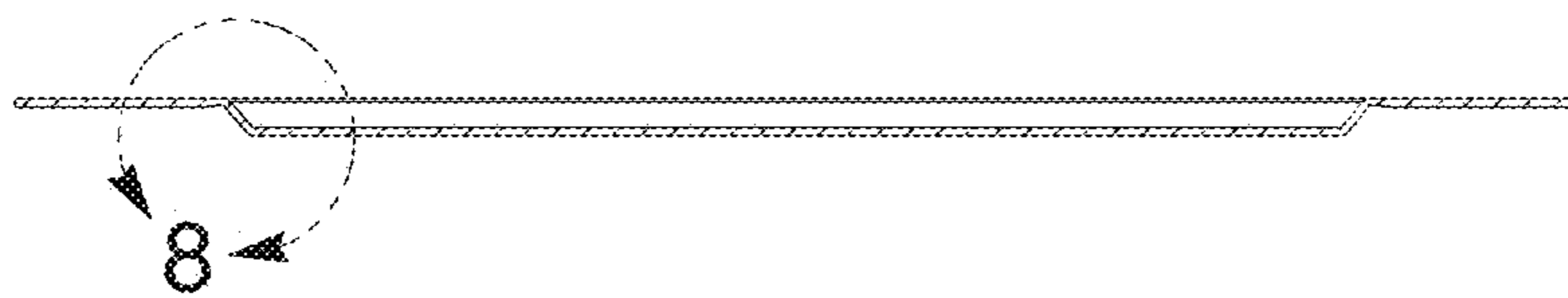


FIG. 7

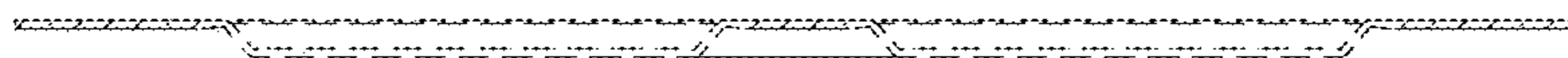


FIG. 8

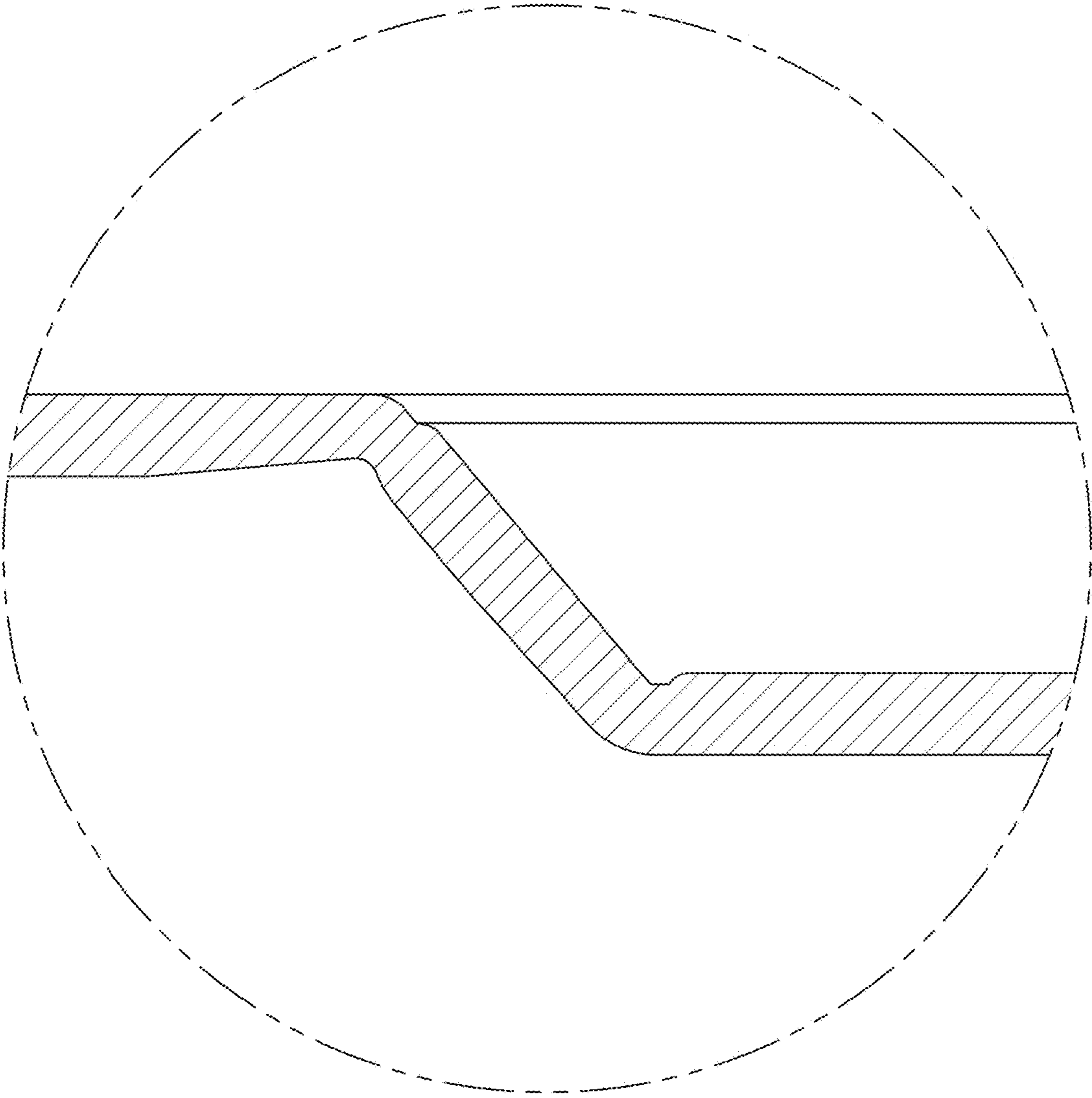


FIG. 9

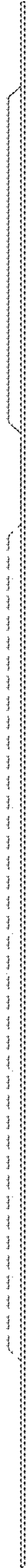


FIG. 10

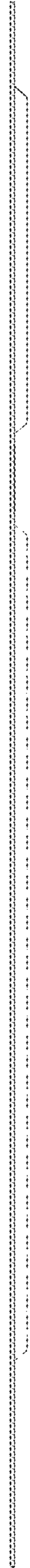


FIG. 11

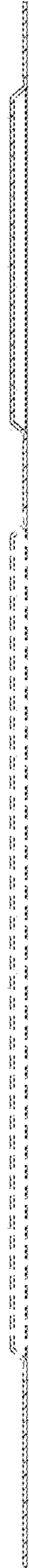


FIG. 12

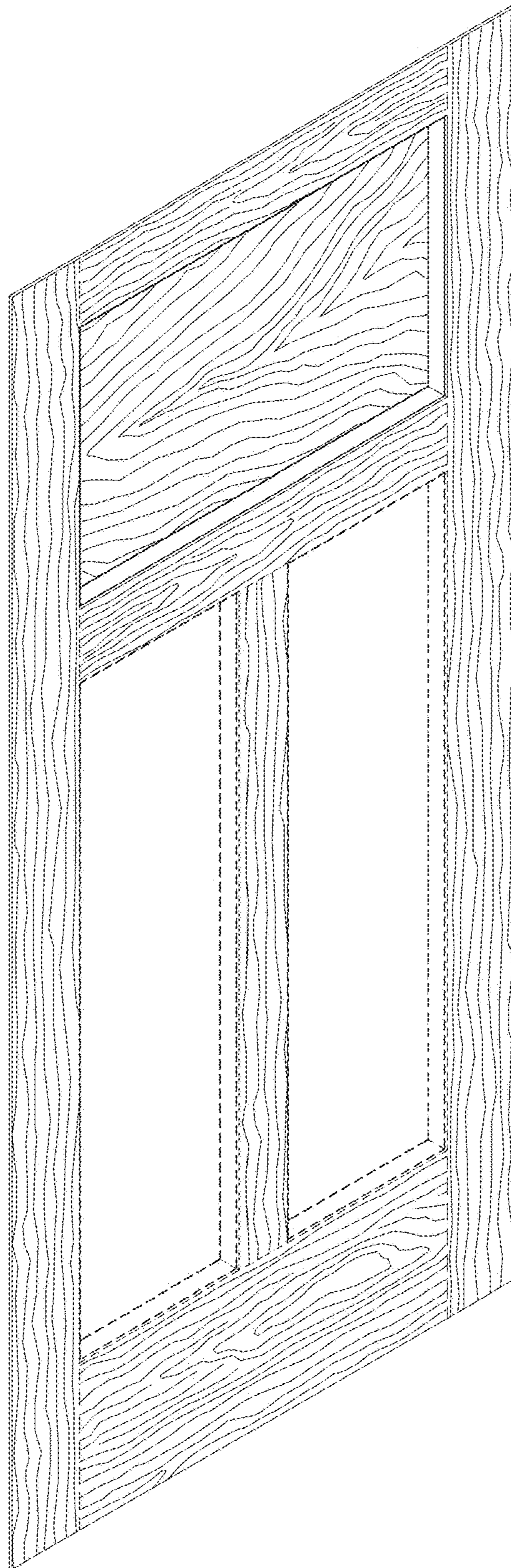


FIG. 13

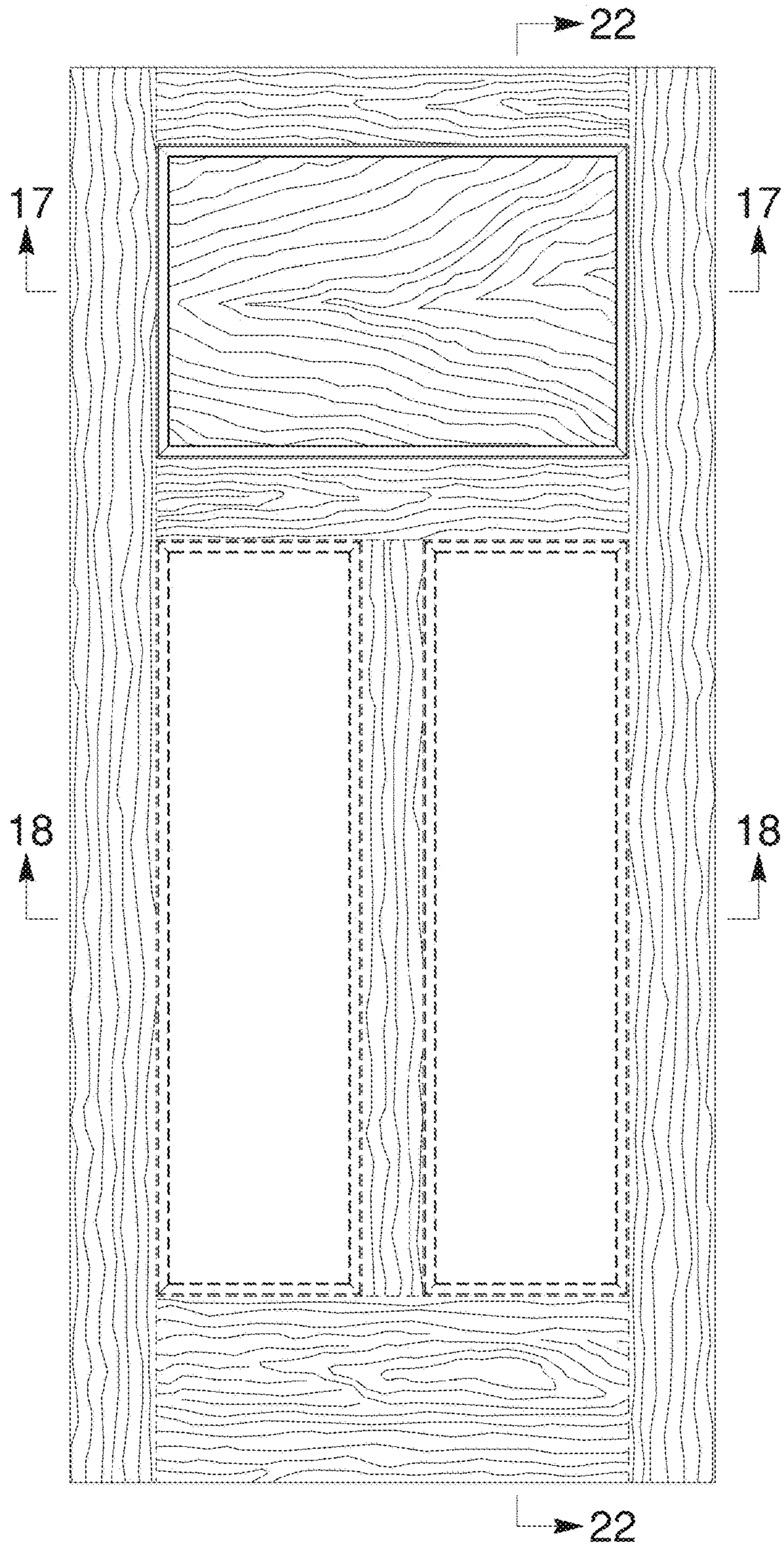


FIG. 14

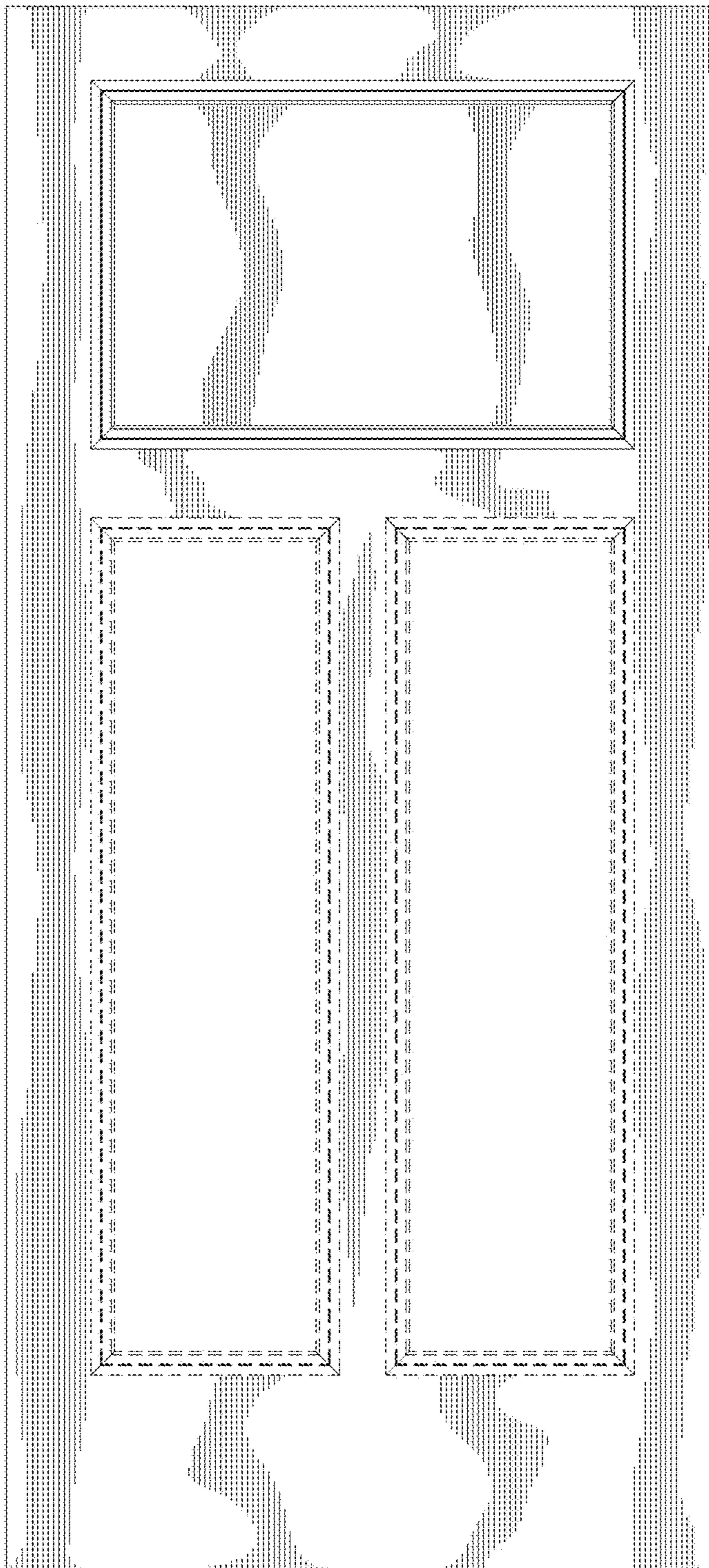


FIG. 15

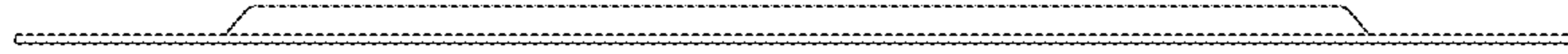


FIG. 16

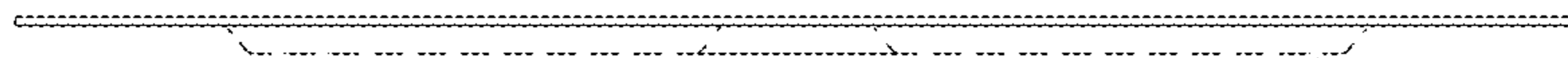


FIG. 17

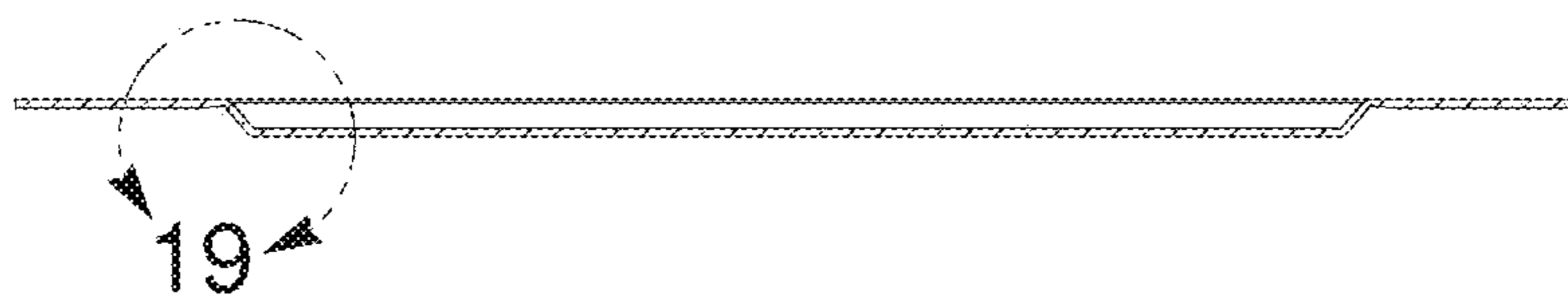


FIG. 18

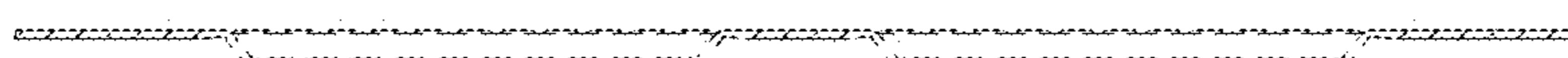


FIG. 19

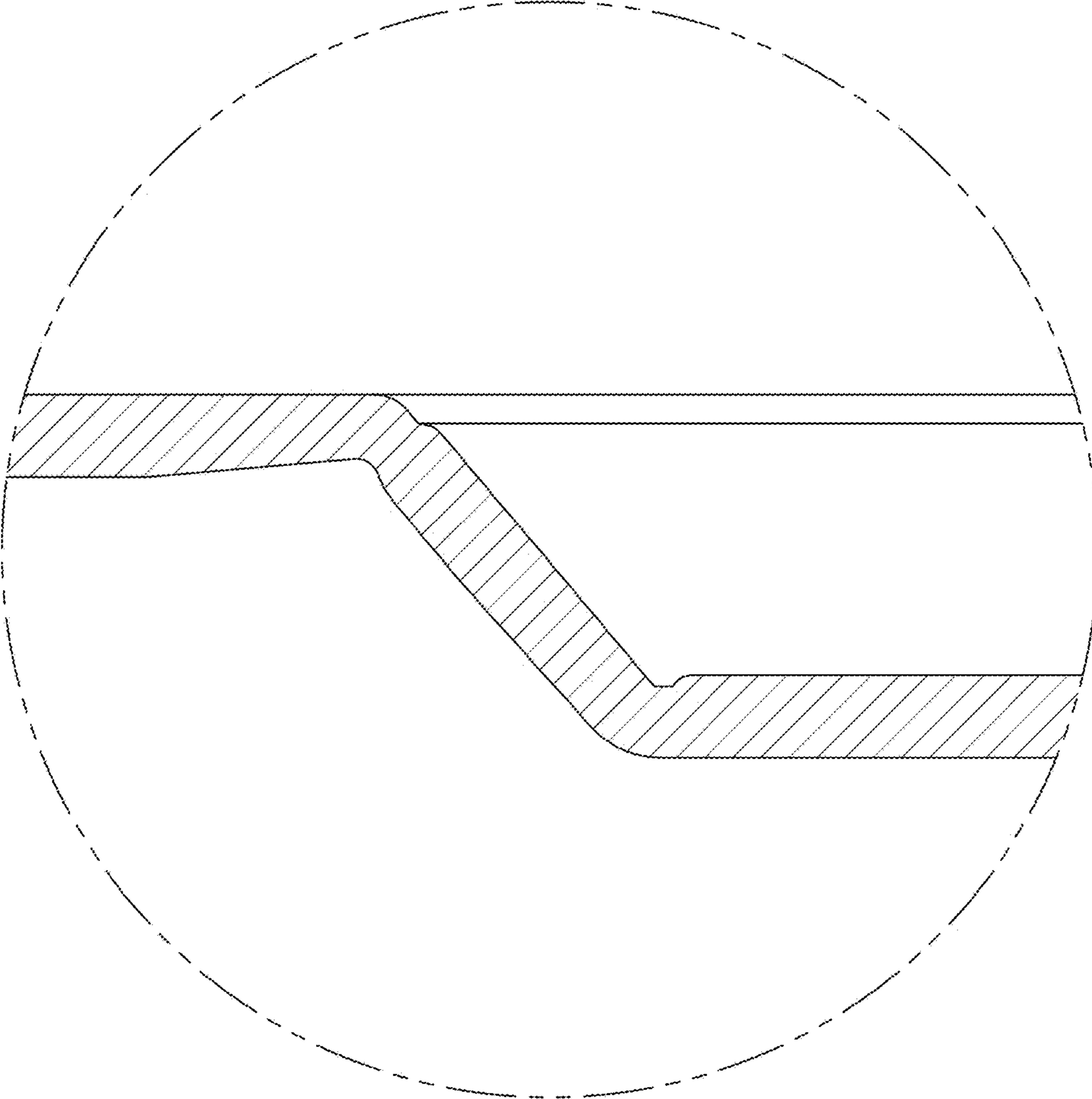


FIG. 20

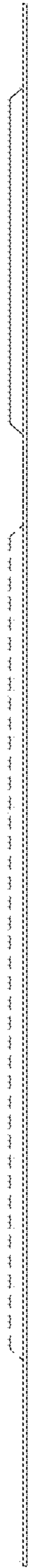


FIG. 21

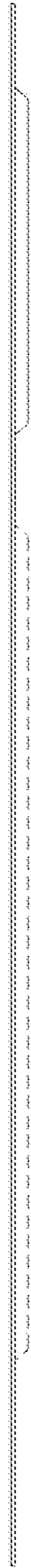


FIG. 22

