



US00D852980S

(12) **United States Design Patent** (10) **Patent No.:** **US D852,980 S**  
**Contrata, Jr. et al.** (45) **Date of Patent:** **\*\* Jul. 2, 2019**

(54) **CART CORRAL**

*Primary Examiner* — Brett Miller

(71) Applicant: **RENEWABLE EDGE LLC**,  
Tarrytown, NY (US)

(74) *Attorney, Agent, or Firm* — The Marbury Law  
Group, PLLC

(72) Inventors: **Richard C. Contrata, Jr.**, Harrison,  
NY (US); **David J. Schaffer**, Suffern,  
NY (US)

(57) **CLAIM**

The ornamental design for a cart corral, as shown and  
described.

(73) Assignee: **Renewable Edge LLC**, Tarrytown, NY  
(US)

**DESCRIPTION**

(\*\*) Term: **15 Years**

(21) Appl. No.: **29/649,003**

(22) Filed: **May 25, 2018**

FIG. 1 is a front right perspective view of the cart corral  
design according to a first embodiment.

FIG. 2 is a front view of the cart corral design according to  
the first embodiment.

FIG. 3 is a rear view of the cart corral design according to  
the first embodiment.

FIG. 4 is a right side view of the cart corral design according  
to the first embodiment.

FIG. 5 is a left side view of the cart corral design according  
to the first embodiment.

FIG. 6 is a top view of the cart corral design according to the  
first embodiment.

FIG. 7 is a bottom view of the cart corral design according  
to the first embodiment.

FIG. 8 is a rear right perspective view of the cart corral  
design according to the first embodiment.

FIG. 9 is a front right perspective view of the cart corral  
design according to a second embodiment.

FIG. 10 is a front view of the cart corral design according to  
the second embodiment.

FIG. 11 is a rear view of the cart corral design according to  
the second embodiment.

FIG. 12 is a right side view of the cart corral design  
according to the second embodiment.

FIG. 13 is a left side view of the cart corral design according  
to the second embodiment.

FIG. 14 is a top view of the cart corral design according to  
the second embodiment.

FIG. 15 is a bottom view of the cart corral design according  
to the second embodiment; and,

FIG. 16 is a rear right perspective view of the cart corral  
design according to the second embodiment.

The broken lines shown in FIGS. 1-16 represent portions of  
the cart corral design that form no part of the claim. The

**Related U.S. Application Data**

(63) Continuation of application No. 29/602,742, filed on  
May 3, 2017.

(51) **LOC (11) Cl.** ..... **25-03**

(52) **U.S. Cl.**  
USPC ..... **D25/18**

(58) **Field of Classification Search**  
USPC ..... D25/1, 3-5, 14-16, 18, 19, 31-33, 56;  
D20/19

(Continued)

(56) **References Cited**

**U.S. PATENT DOCUMENTS**

2,845,078 A \* 7/1958 Singleton ..... E04H 6/025  
135/118

2,988,810 A \* 6/1961 Wilken ..... E04B 7/08  
D25/18

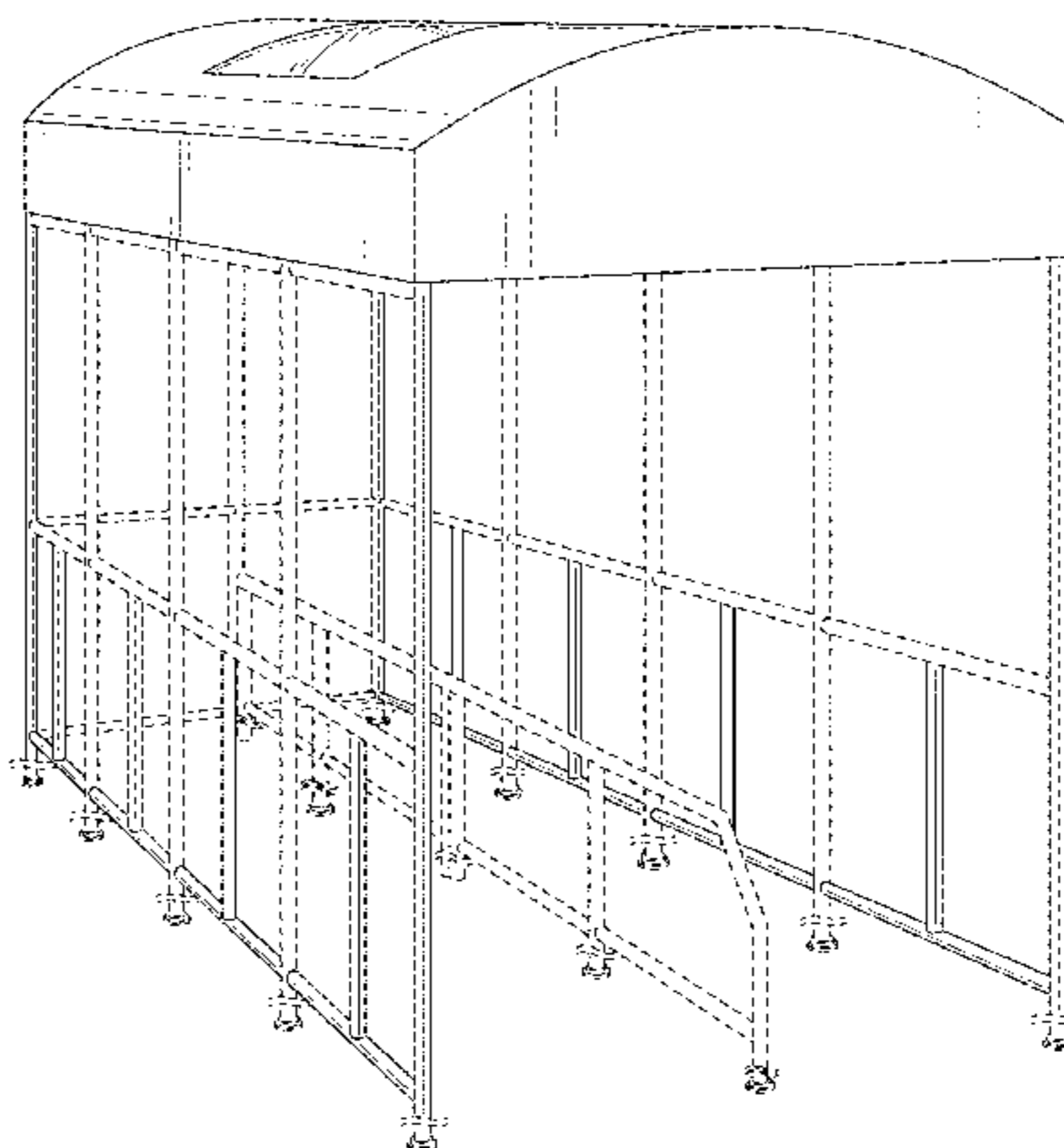
(Continued)

**OTHER PUBLICATIONS**

Contrata, Jr. et al., "Cart Corral", Design U.S. Appl. No. 29/548,084,  
filed Dec. 10, 2015.

(Continued)

(Continued)



design is shown with symbolic break lines. The appearance of any portion of the article between the break lines forms no part of the claimed design.

**1 Claim, 16 Drawing Sheets**

(58) **Field of Classification Search**

CPC . E04H 1/00-12; E04H 1/1205; E04H 1/1211; E04H 1/1233; E04B 1/32; E04B 1/3205  
See application file for complete search history.

(56) **References Cited**

U.S. PATENT DOCUMENTS

3,255,769 A	6/1966	Lloyd	
D338,073 S	8/1993	Wall	
5,295,335 A *	3/1994	Collier .....	E04H 6/025 135/137
D374,088 S	9/1996	Collier	
D376,854 S	12/1996	DiPaolo et al.	
5,598,668 A *	2/1997	Isom .....	E04B 1/3205 52/86
D404,835 S	1/1999	Stute	
D430,306 S *	8/2000	Goldwitz .....	D25/61
D436,669 S	1/2001	Kieffer	
D449,115 S	10/2001	Harris et al.	
D458,688 S	6/2002	Phifer	
D461,562 S	8/2002	Hansen	
D475,468 S	6/2003	Stein	
D500,556 S	1/2005	Cahill	
D502,269 S *	2/2005	Kinslow .....	D25/31
D530,022 S	10/2006	Haymann et al.	

D540,472 S	4/2007	Van Es	
D565,198 S	3/2008	Tung	
D579,121 S	10/2008	Gibson	
D620,531 S *	7/2010	Allen .....	D20/19
D659,852 S	5/2012	Everson	
D681,762 S	5/2013	Kayser	
D699,789 S	2/2014	Allen	
D701,322 S	3/2014	McCue et al.	
D725,287 S	3/2015	Allen	
D728,821 S *	5/2015	Wehner .....	D25/15
D788,319 S	5/2017	Lemoine et al.	
D788,320 S	5/2017	Contrata, Jr. et al.	
2013/0186016 A1 *	7/2013	McCue .....	E04H 1/1205 52/173.1
2015/0194031 A1	7/2015	Cutler et al.	
2016/0270563 A1	9/2016	Contrata, Jr. et al.	
2017/0314291 A1	11/2017	Lemoine et al.	

OTHER PUBLICATIONS

Contrata, Jr. et al., "Cart Corral", Design U.S. Appl. No. 29/598,993, filed Mar. 30, 2017.

Contrata, Jr. et al., "Cart Corral", Design U.S. Appl. No. 29/649,097, filed May 25, 2017.

Contrata, Jr. et al., "Cart Corral", Design U.S. Appl. No. 29/602,742, filed May 3, 2017.

Contrata, Jr. et al., "Cart Corral", Design U.S. Appl. No. 29/649,093, filed May 25, 2018.

Contrata, Jr. et al., "Cart Corral", Design U.S. Appl. No. 29/649,006, filed May 25, 2018.

Contrata, Jr. et al., "Cart Corral", U.S. Design Appl. No. 29/654,262, filed Jun. 22, 2018.

\* cited by examiner

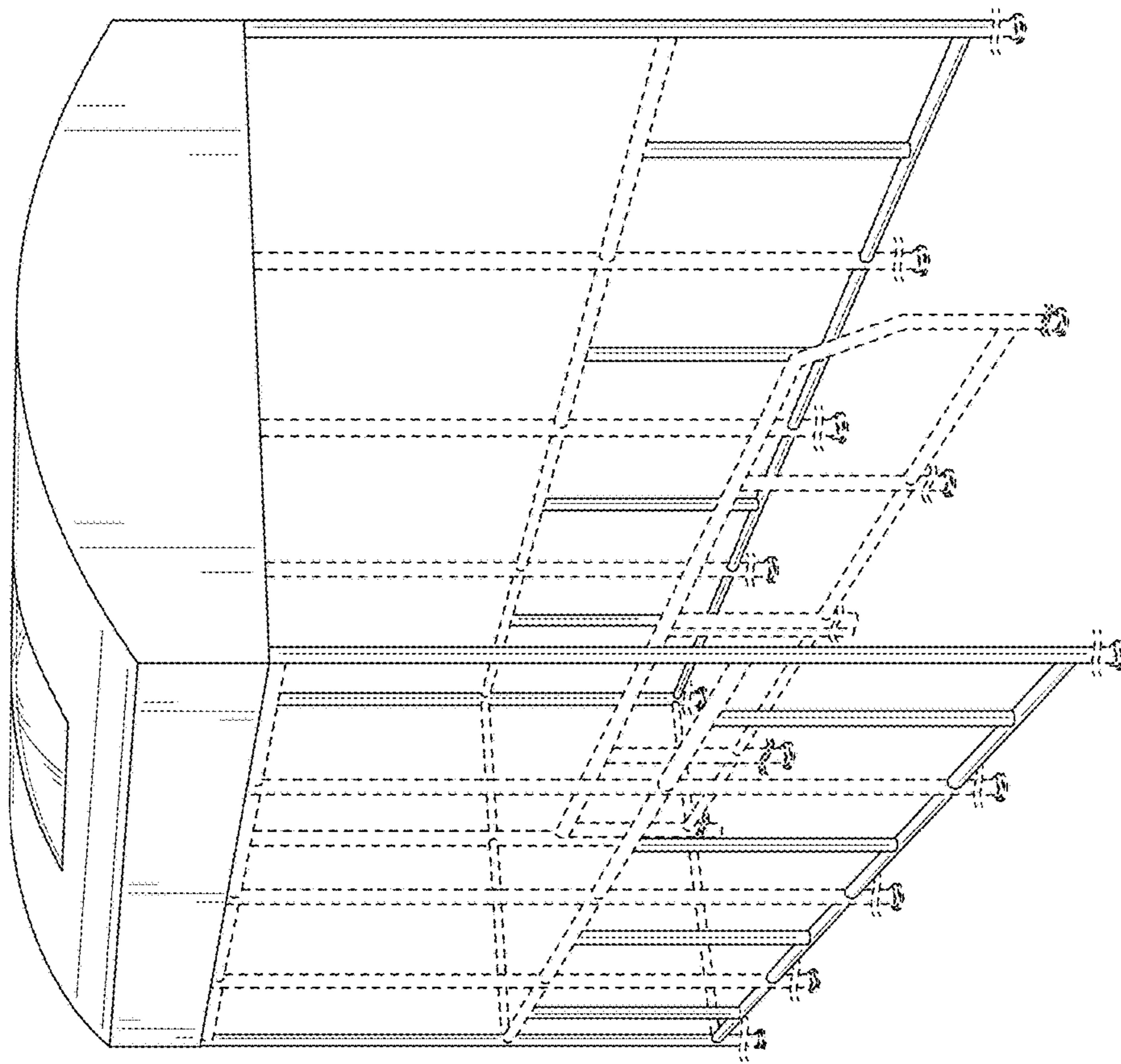


FIG. 1

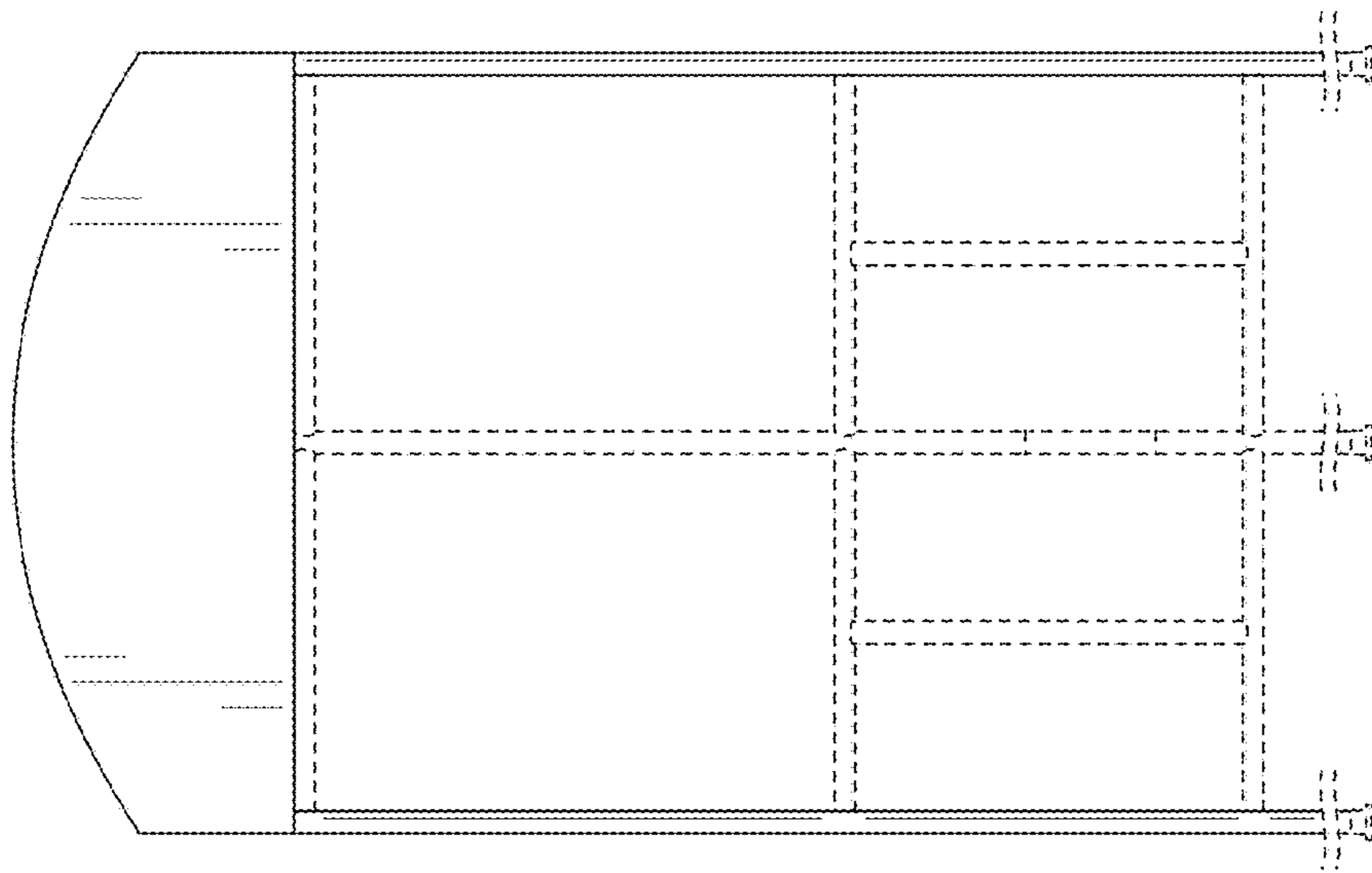


FIG. 2

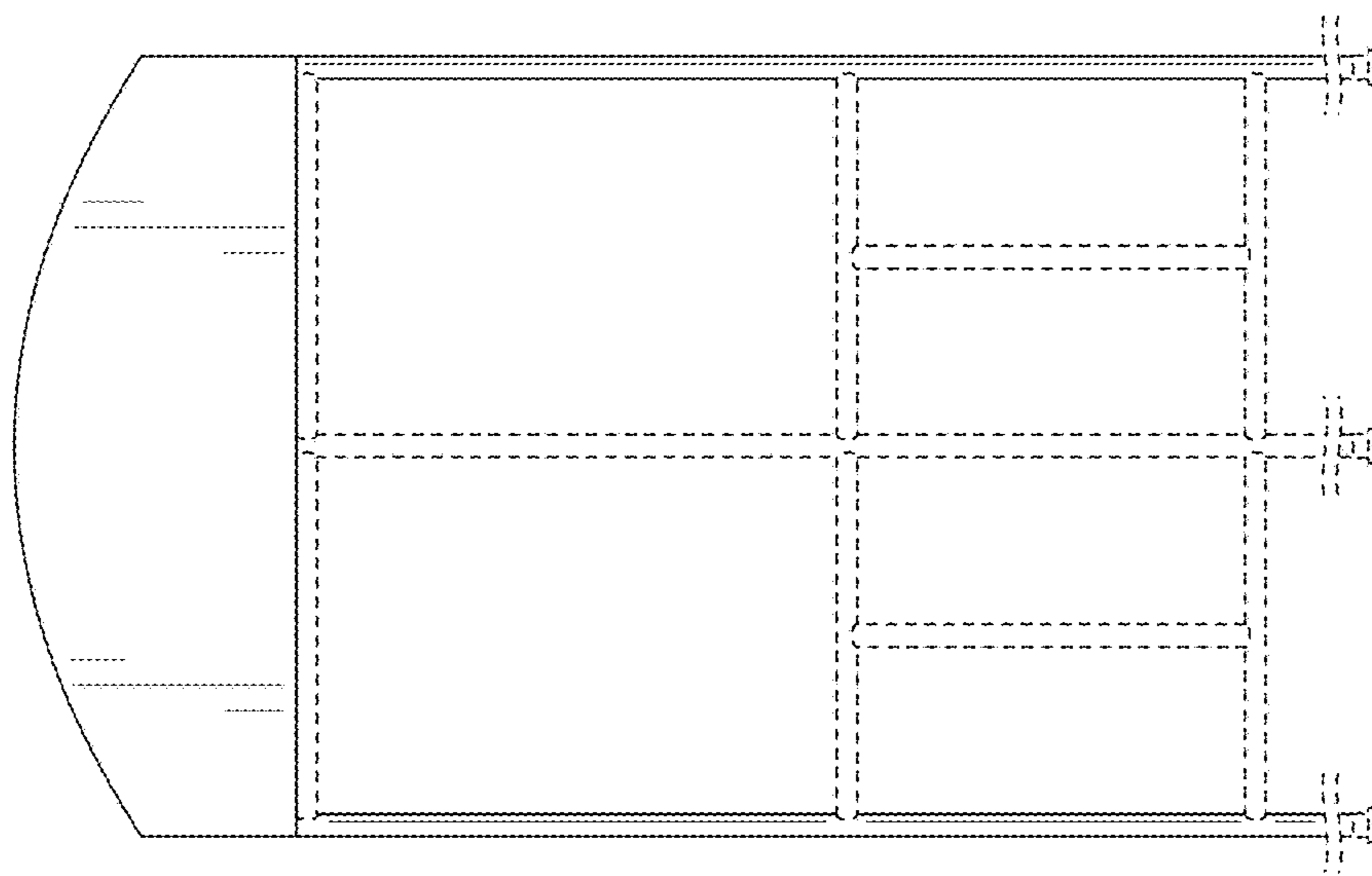


FIG. 3

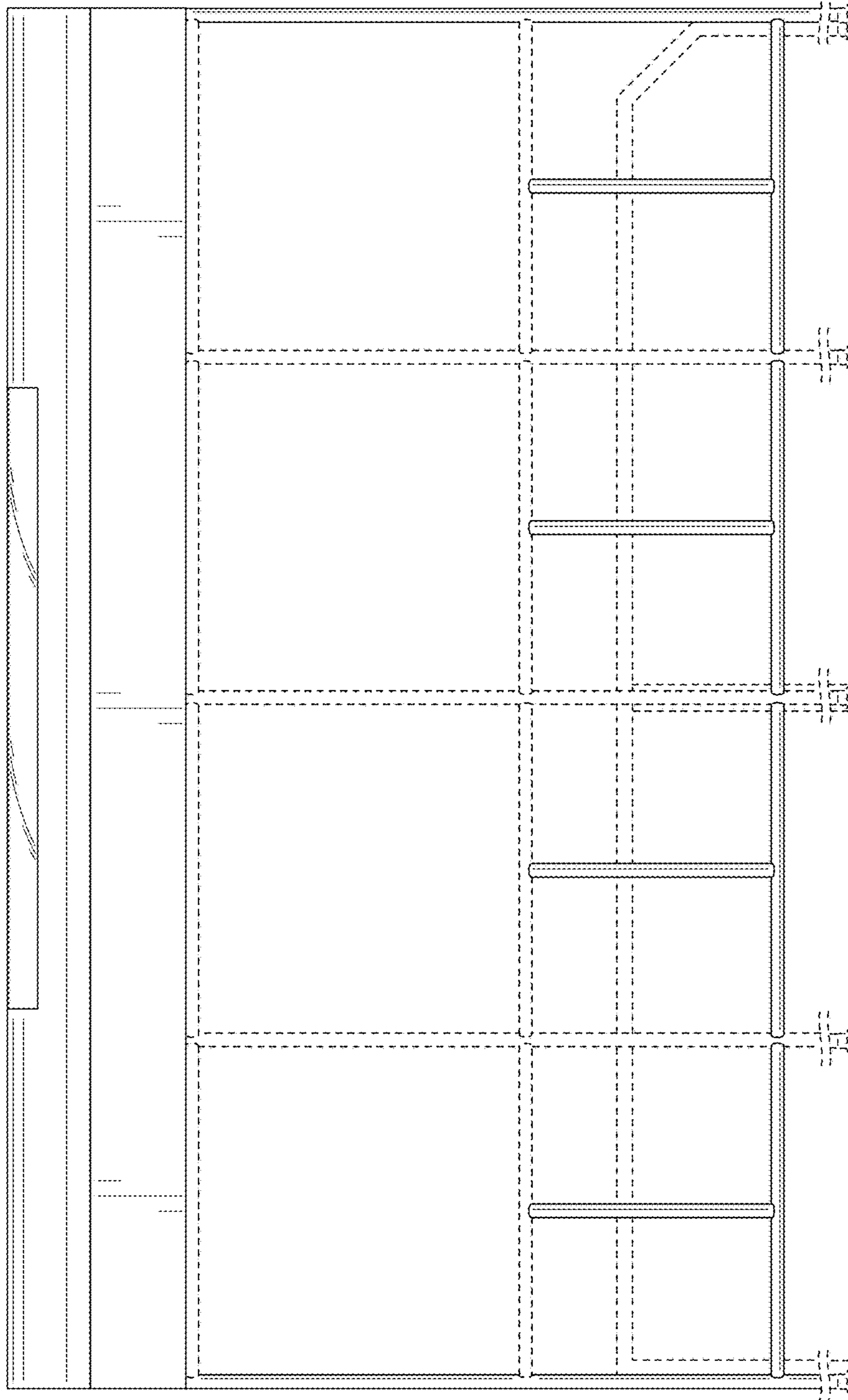


FIG. 4

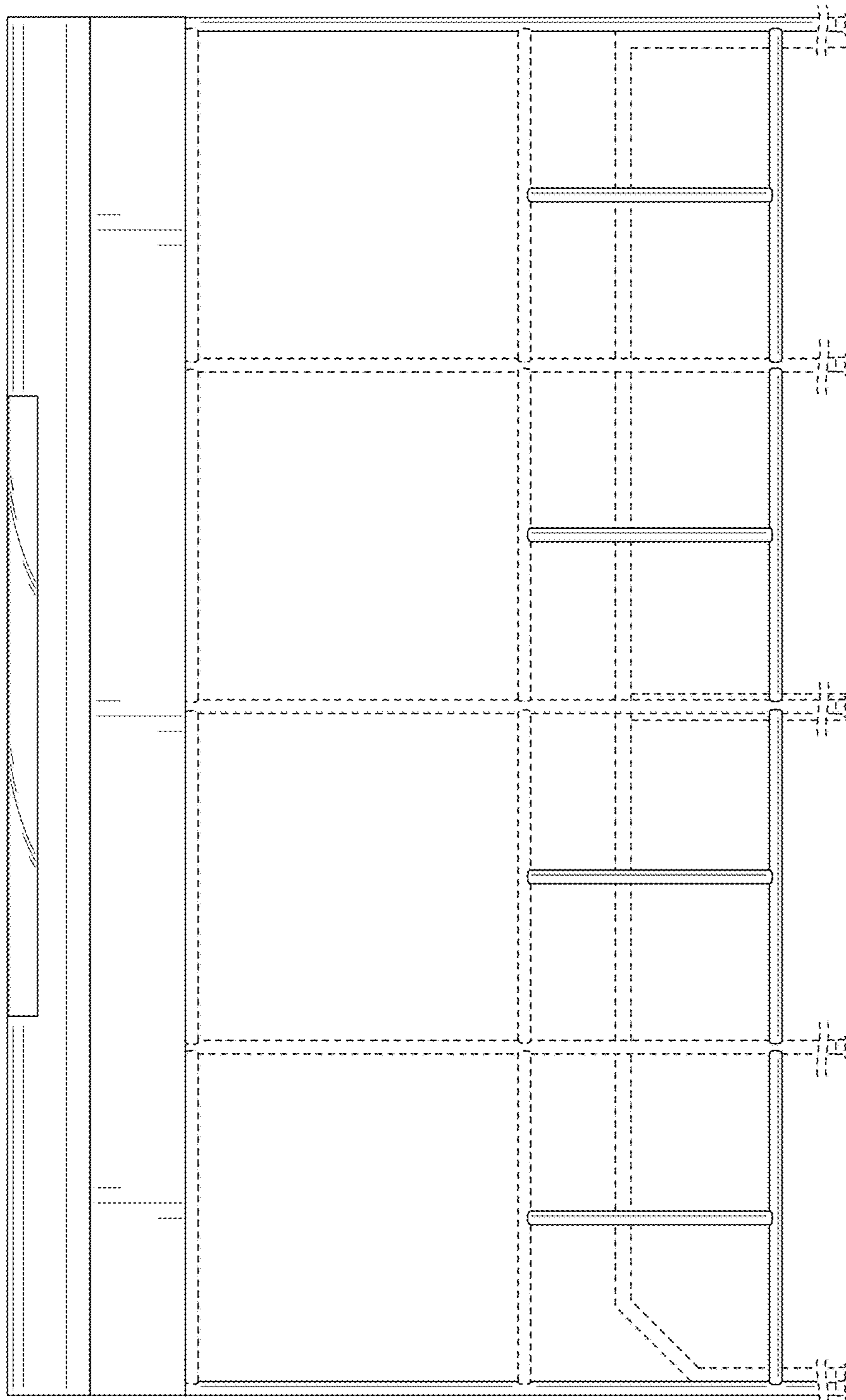


FIG. 5

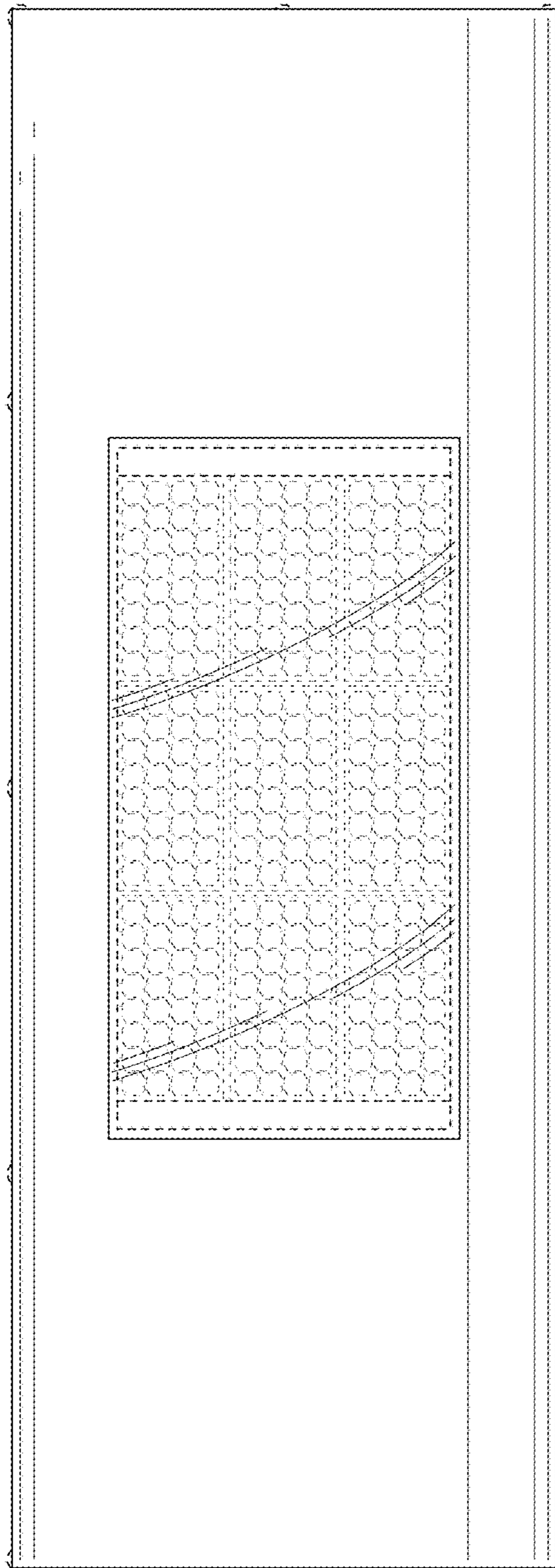


FIG. 6



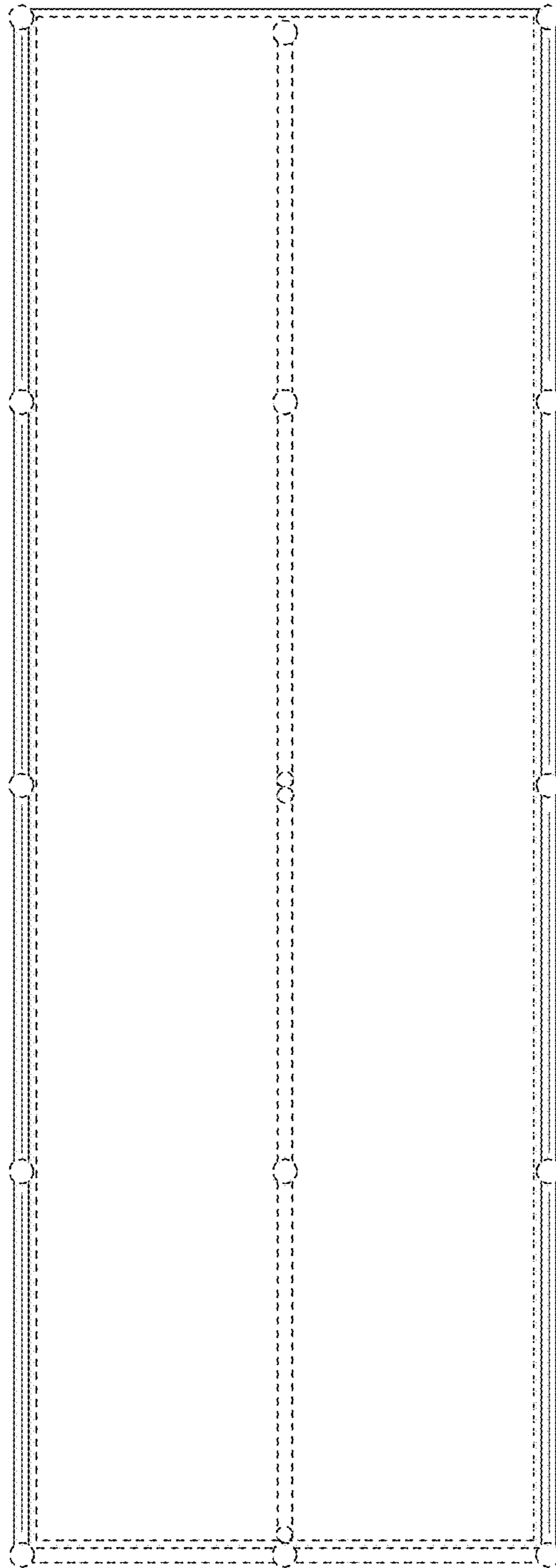


FIG. 7

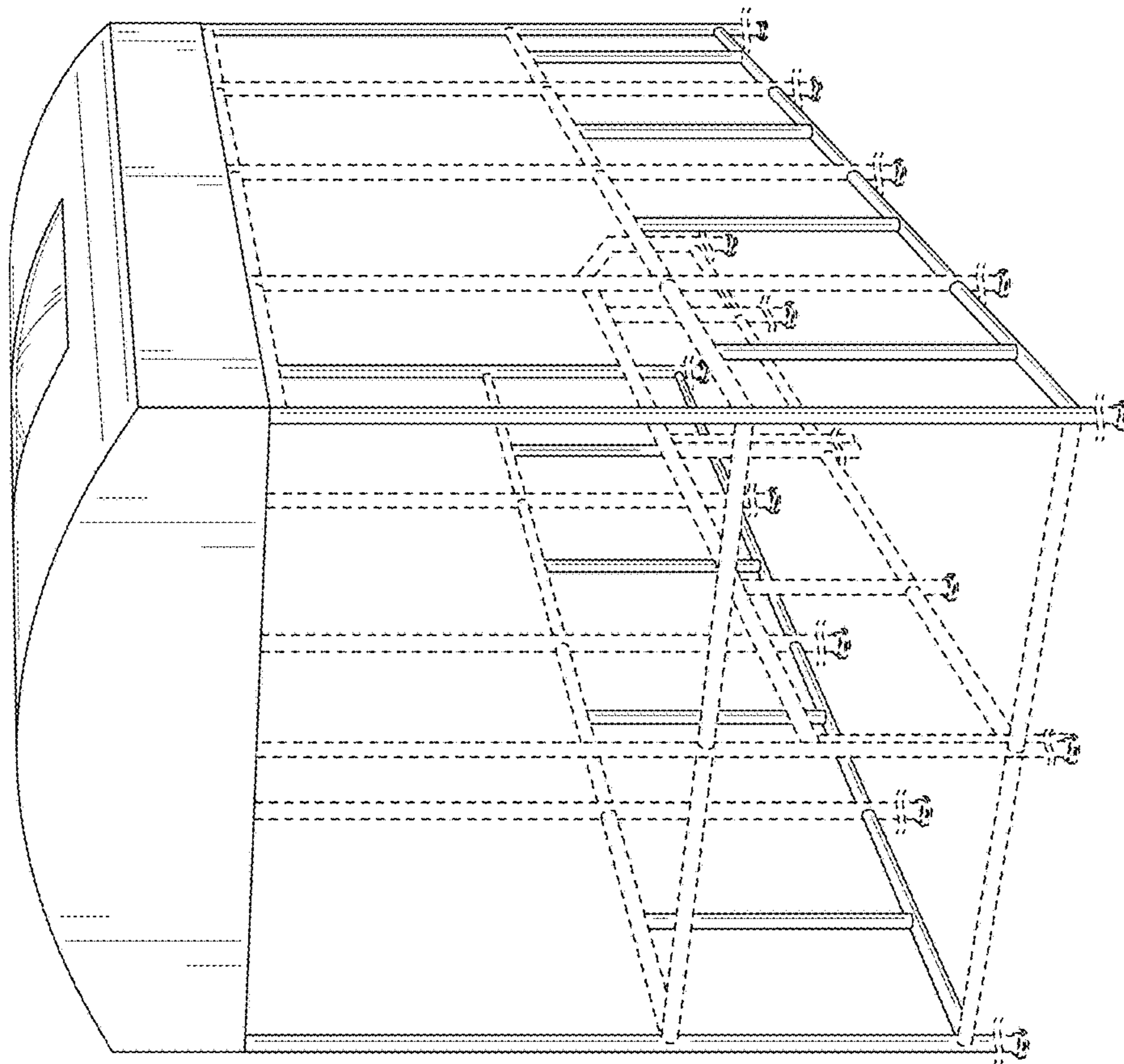


FIG. 8

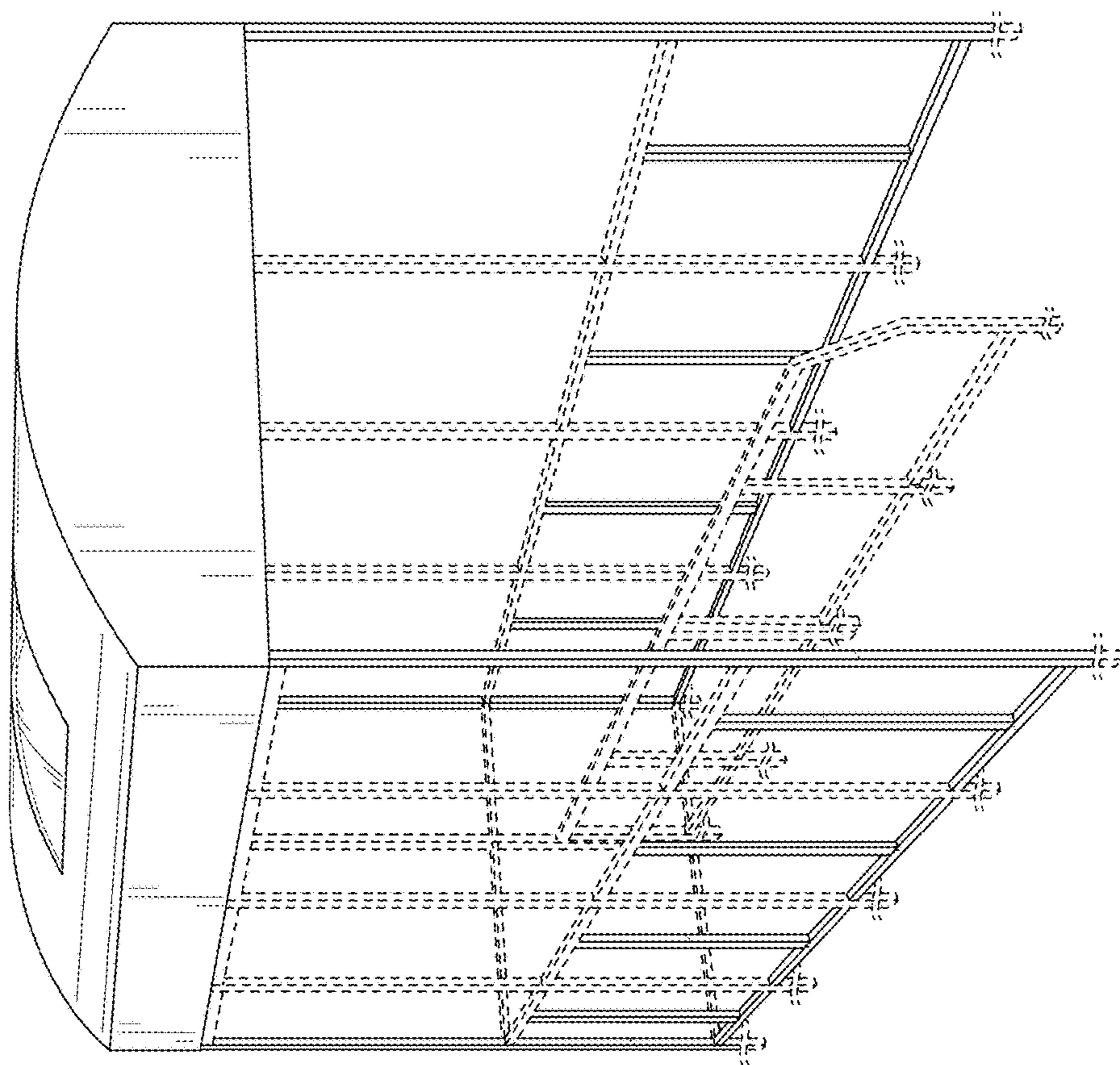


FIG. 9

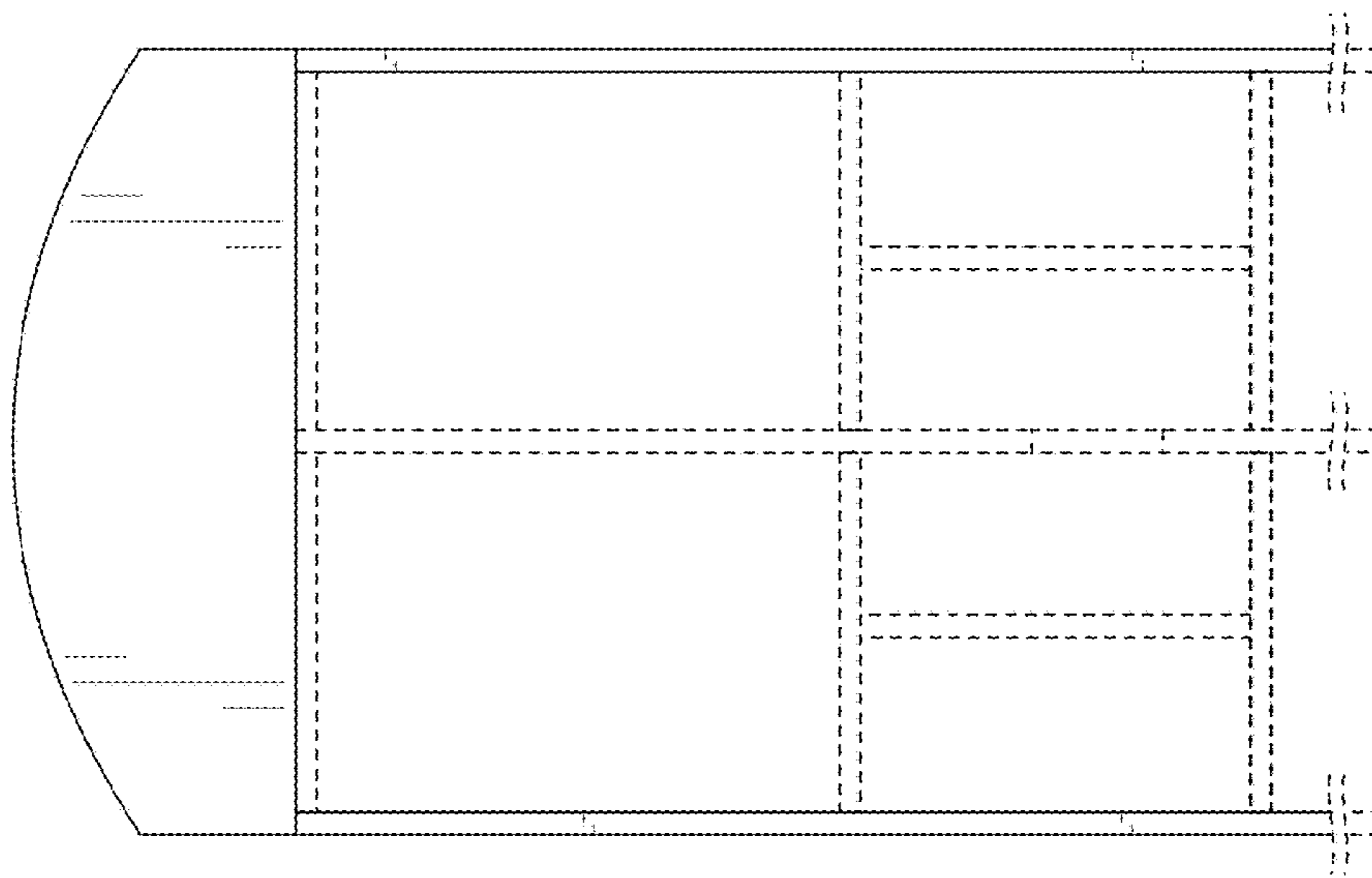


FIG. 10

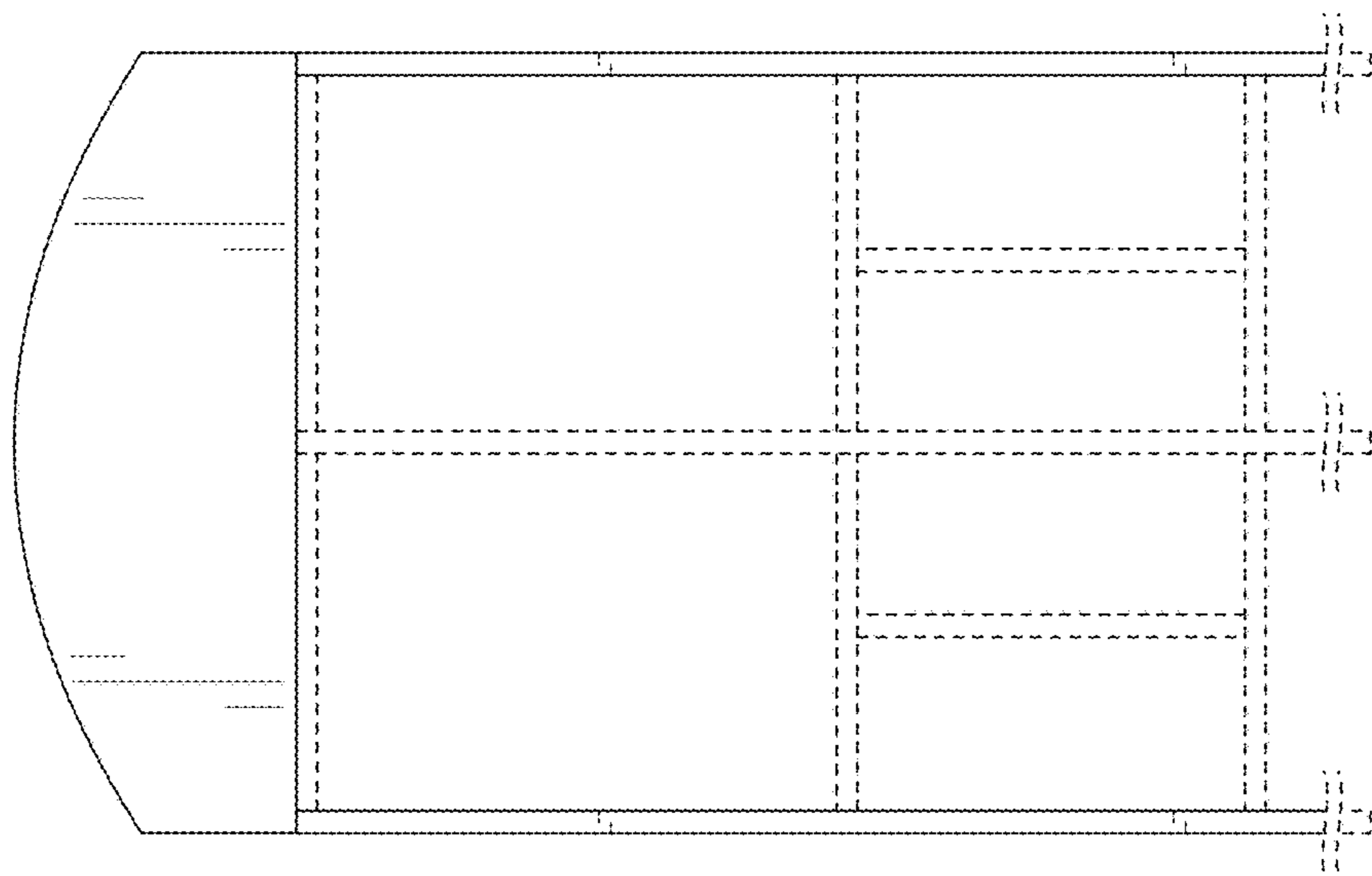


FIG. 11

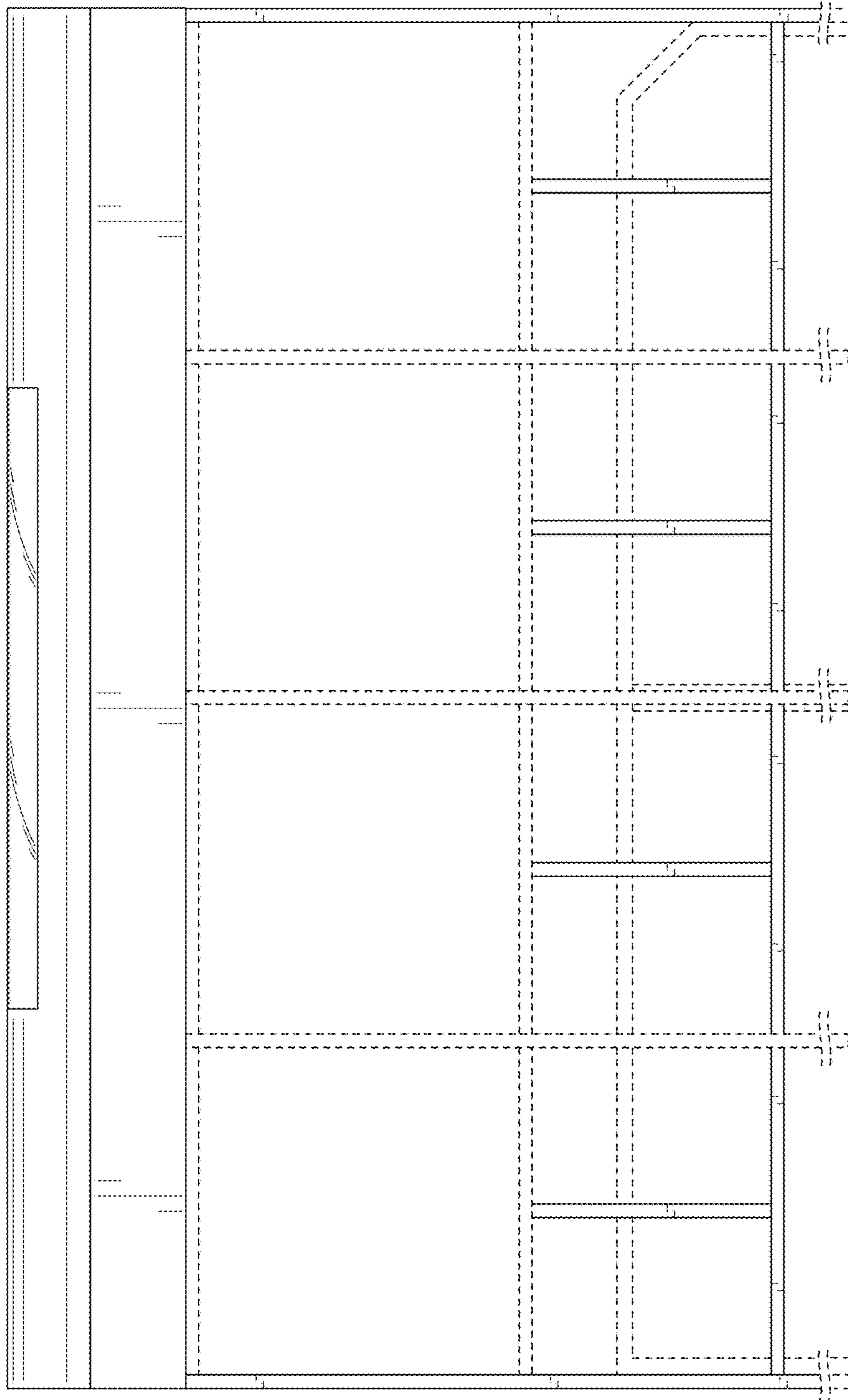


FIG. 12

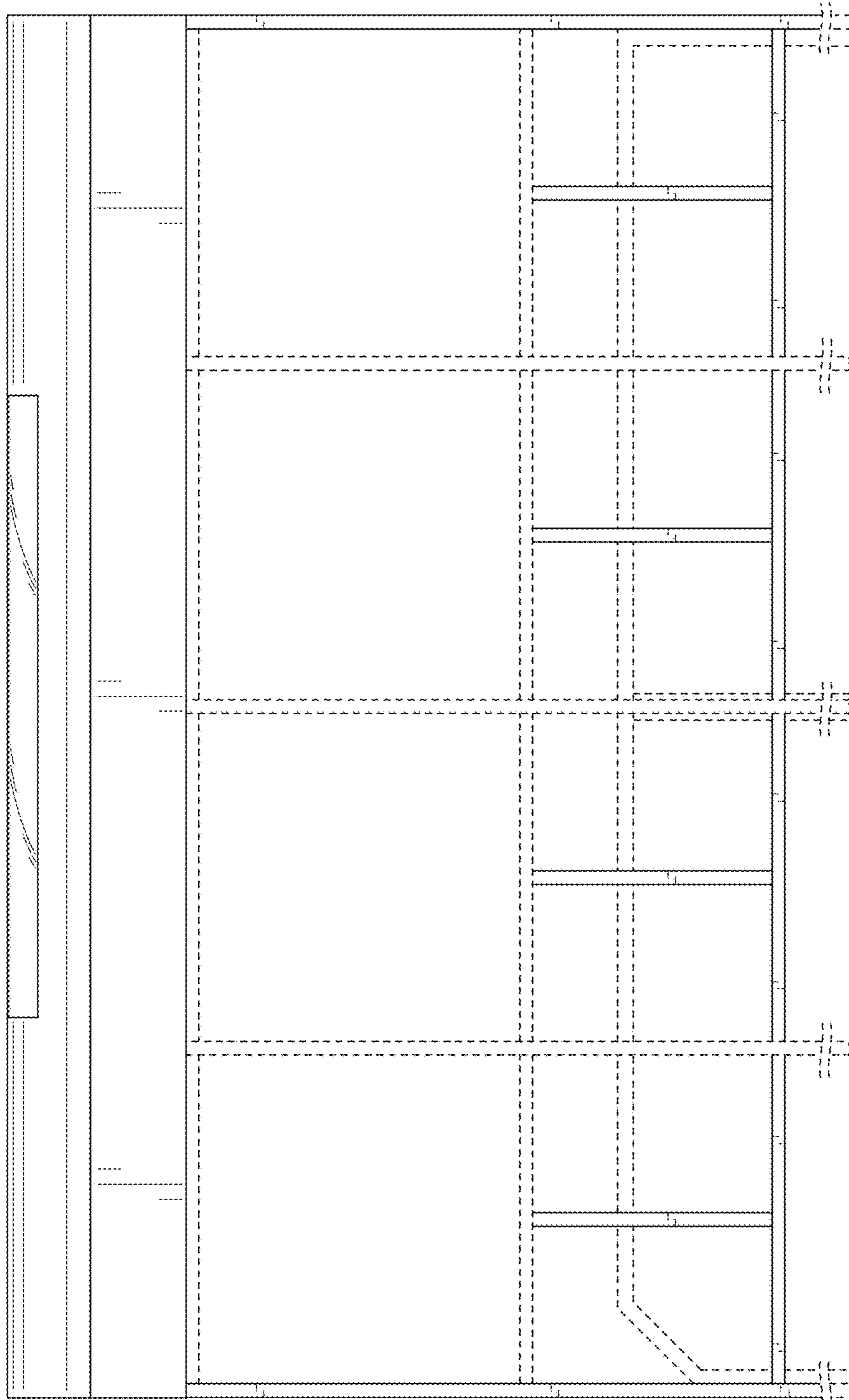


FIG. 13

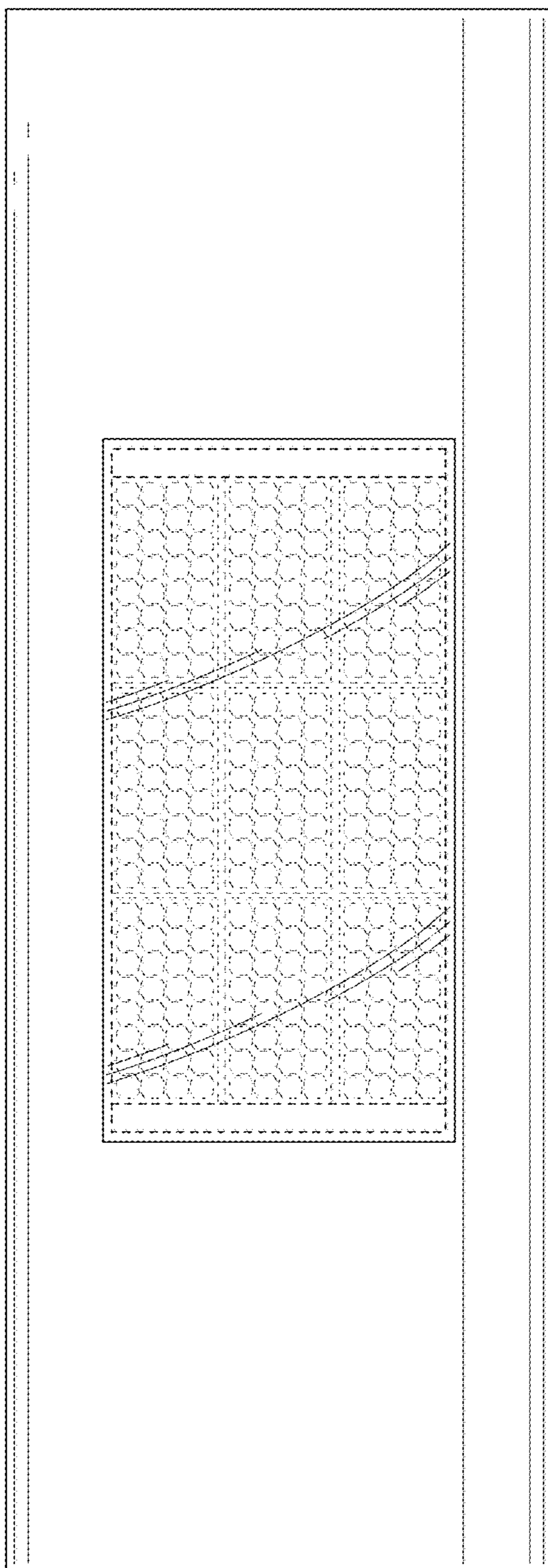


FIG. 14



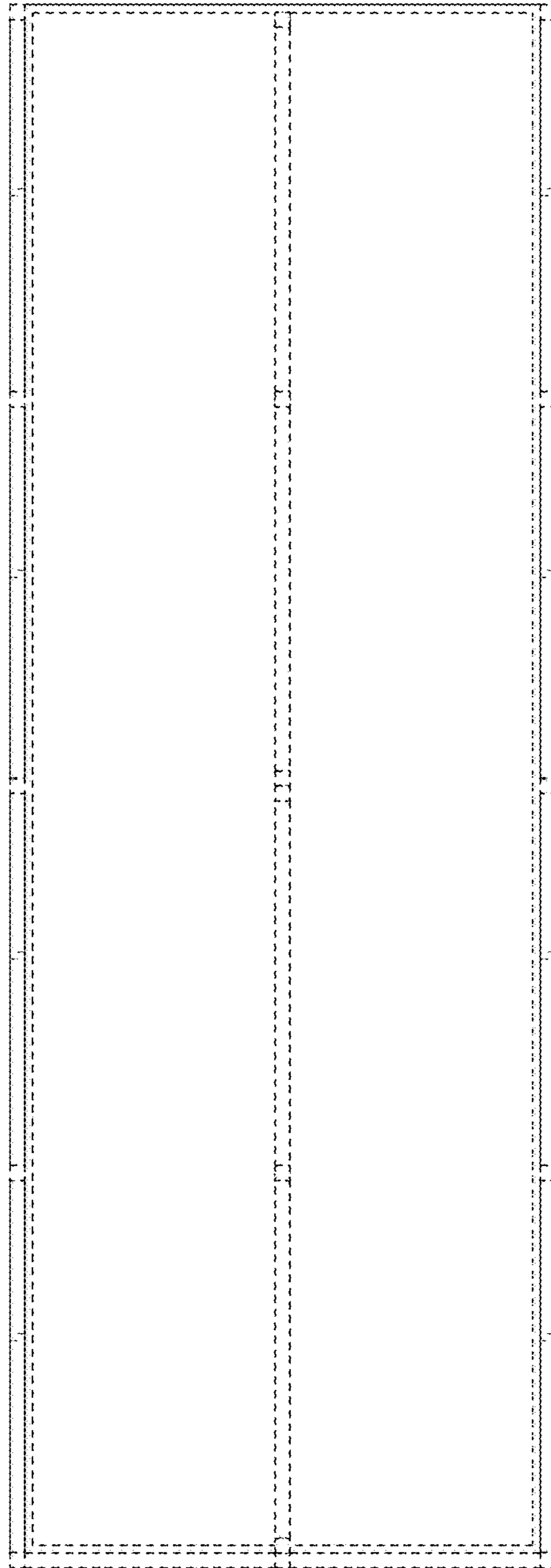


FIG. 15

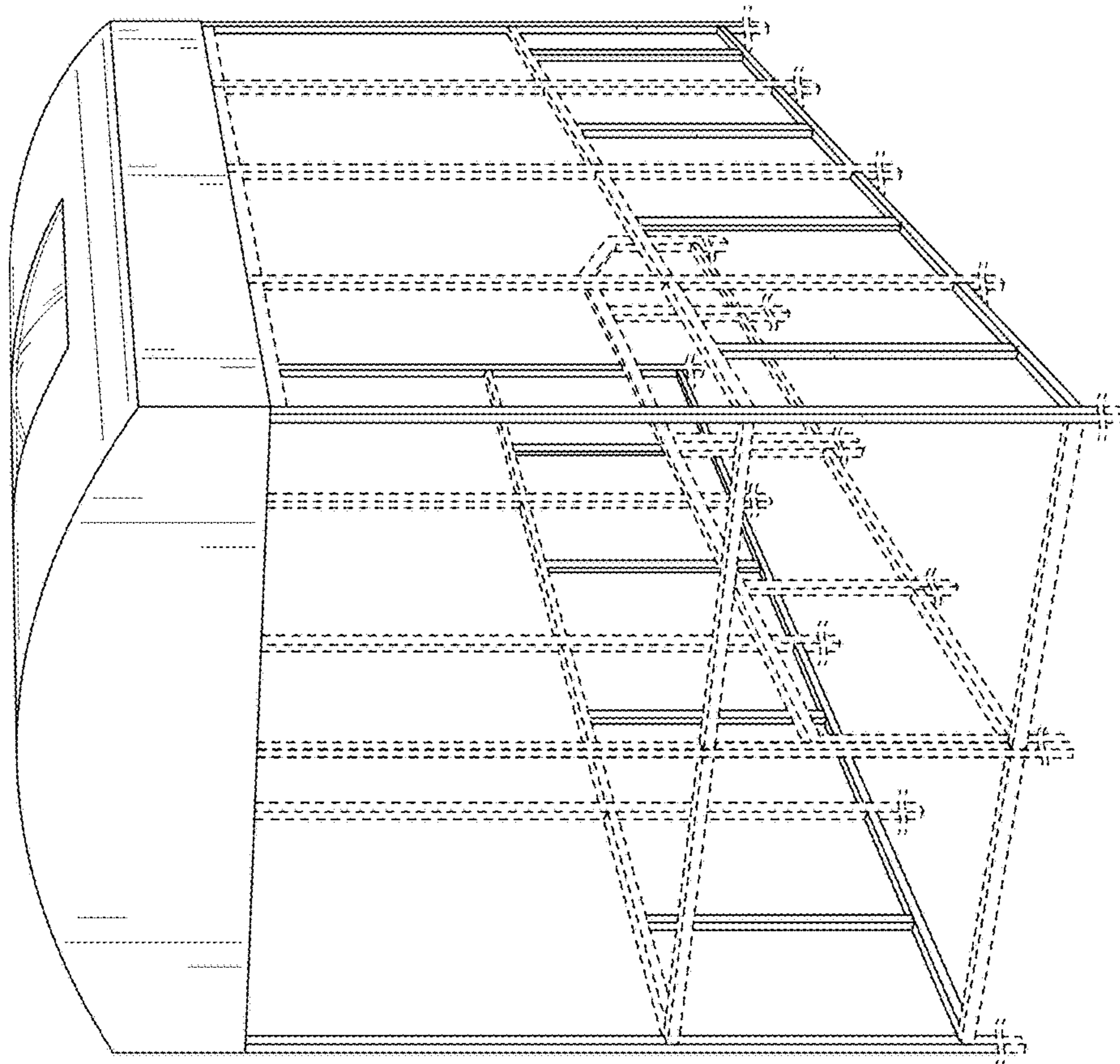


FIG. 16