



US00D852979S

(12) **United States Design Patent** (10) **Patent No.:** **US D852,979 S**  
**Liu et al.** (45) **Date of Patent:** **\*\* Jul. 2, 2019**

(54) **CAPILLARY ELECTROPHORESIS CARTRIDGE**

(71) Applicant: **LIFE TECHNOLOGIES CORPORATION**, Carlsbad, CA (US)

(72) Inventors: **David M. Liu**, Los Altos, CA (US);  
**Kirk M. Hirano**, Foster City, CA (US);  
**Albert L. Carrillo**, South San Francisco, CA (US); **Alexander V. Dukhovny**, San Francisco, CA (US);  
**Joseph A. Lazur**, Carlsbad, CA (US);  
**Peng Li**, Franklin Park, NJ (US);  
**Joshua Mead**, San Diego, CA (US)

(73) Assignee: **Life Technologies Corporation**, Carlsbad, CA (US)

(\*\*) Term: **15 Years**

(21) Appl. No.: **29/591,865**

(22) Filed: **Jan. 24, 2017**

(51) **LOC (11) Cl.** ..... **24-01**

(52) **U.S. Cl.**  
USPC ..... **D24/233**

(58) **Field of Classification Search**  
USPC ..... D24/216–233, 107, 169, 186; D10/81  
CPC ..... B01L 2200/10; B01L 2200/16; B01L 2300/0809; B01L 2300/0816; B01L 2300/0819; B01L 2300/0822; B01L 2300/0829; B01L 2300/0832; B01L 2300/0838; B01L 2300/0806; B01L 2300/0861; B01L 2300/0883; B01L 2300/0893; B01L 2300/0877; G01N 35/00029; G01N 35/08; G01N 2035/00019; G01N 2035/00306; G01N 2035/00326; G01N 2021/0346

See application file for complete search history.

(56) **References Cited**

U.S. PATENT DOCUMENTS

D637,310 S \* 5/2011 Barbieux ..... D24/216  
D706,933 S \* 6/2014 Feurst ..... D24/169  
D706,934 S \* 6/2014 Feurst ..... D24/169  
D739,553 S \* 9/2015 Yang ..... D24/232  
D767,782 S \* 9/2016 Cao ..... D24/216  
D772,426 S \* 11/2016 Sanchez ..... D24/222  
D799,055 S \* 10/2017 Kennedy ..... D24/224  
D800,336 S \* 10/2017 Chang ..... D24/224  
2010/0291588 A1 \* 11/2010 McDevitt ..... B01L 3/502715  
435/7.2

(Continued)

*Primary Examiner* — Anhdao Doan

*Assistant Examiner* — Mary Shannon Malley

(57) **CLAIM**

The ornamental design for a capillary electrophoresis cartridge, as shown and described.

**DESCRIPTION**

FIG. 1 is a front perspective view of an embodiment of a capillary electrophoresis cartridge.

FIG. 2 is a back perspective view of the capillary electrophoresis cartridge shown in FIG. 1.

FIG. 3 is a front view of the capillary electrophoresis cartridge shown in FIG. 1.

FIG. 4 is a back view of the capillary electrophoresis cartridge shown in FIG. 1.

FIG. 5 is a side view of the capillary electrophoresis cartridge shown in FIG. 1.

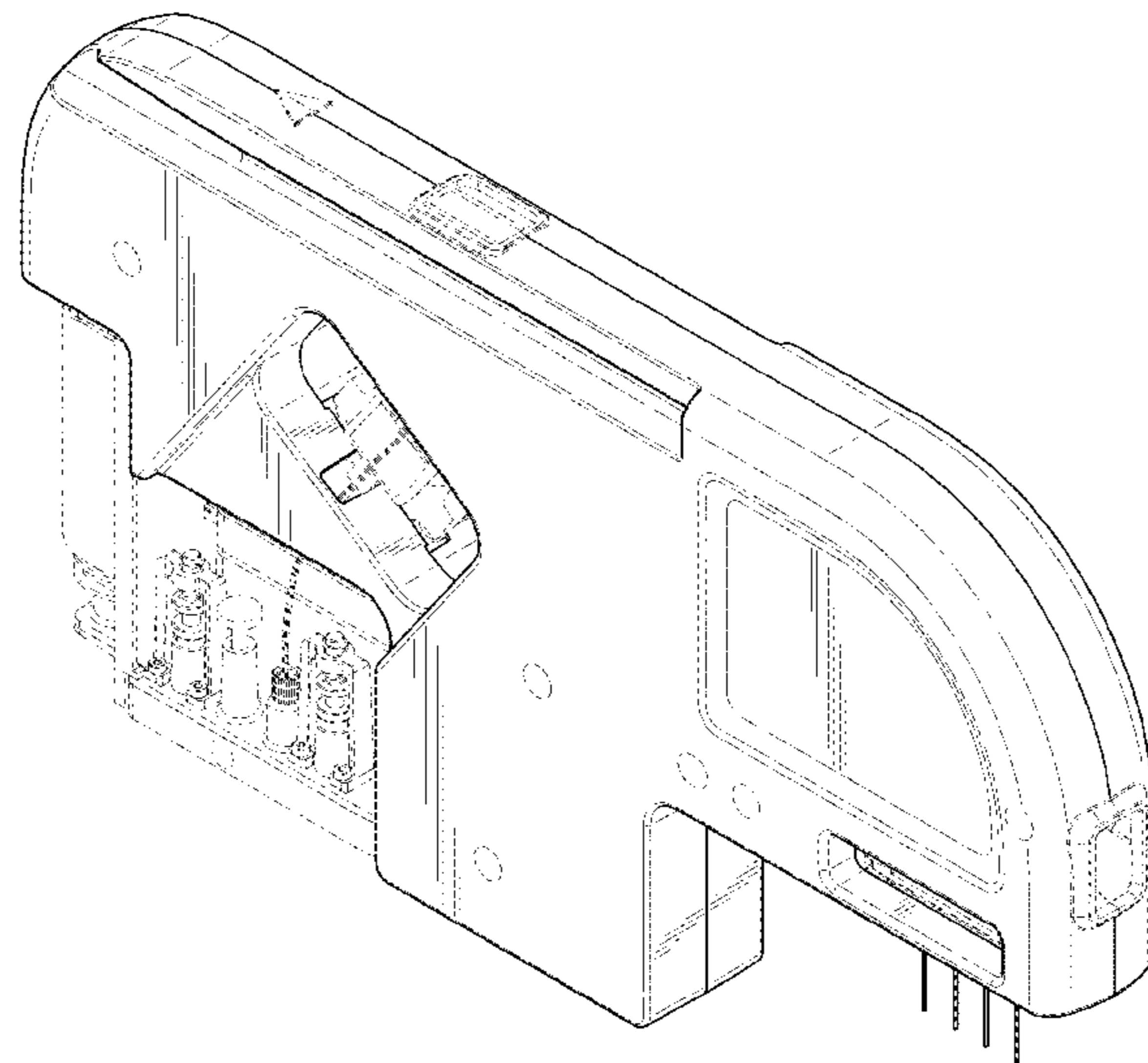
FIG. 6 is a side view of the capillary electrophoresis cartridge shown in FIG. 1.

FIG. 7 is a top view of the capillary electrophoresis cartridge shown in FIG. 1; and,

FIG. 8 is a bottom view of the capillary electrophoresis cartridge shown in FIG. 1.

The broken lines show portions of the capillary electrophoresis cartridge that form no part of the claimed design.

**1 Claim, 6 Drawing Sheets**



(56)

**References Cited**

U.S. PATENT DOCUMENTS

2014/0174160 A1\* 6/2014 Michienzi ..... G01N 30/16  
73/61.55  
2014/0315238 A1\* 10/2014 Farrell ..... G01N 15/1468  
435/29  
2016/0245793 A1\* 8/2016 Samsoundar ..... A61B 5/14539

\* cited by examiner

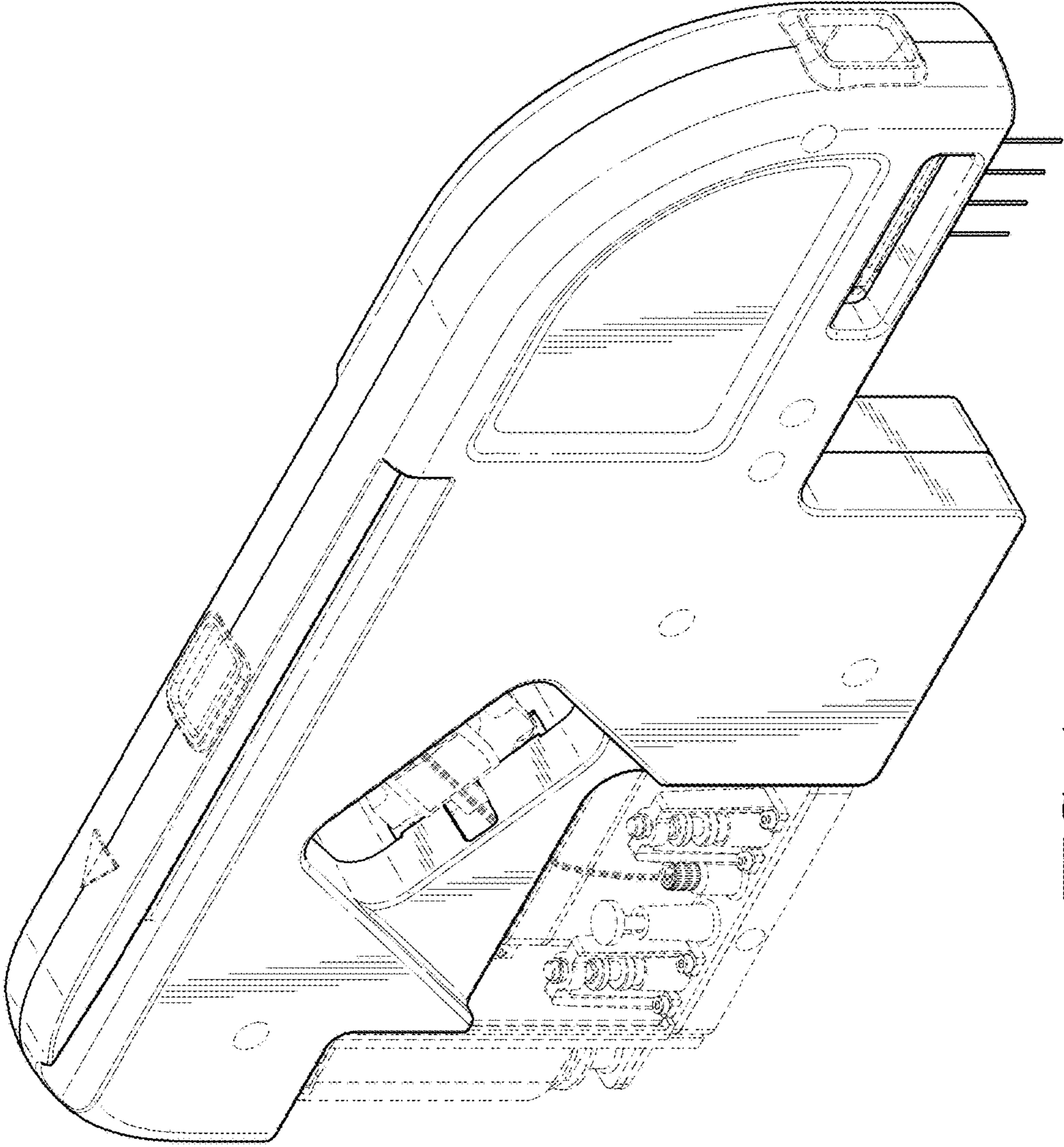


FIG. 1

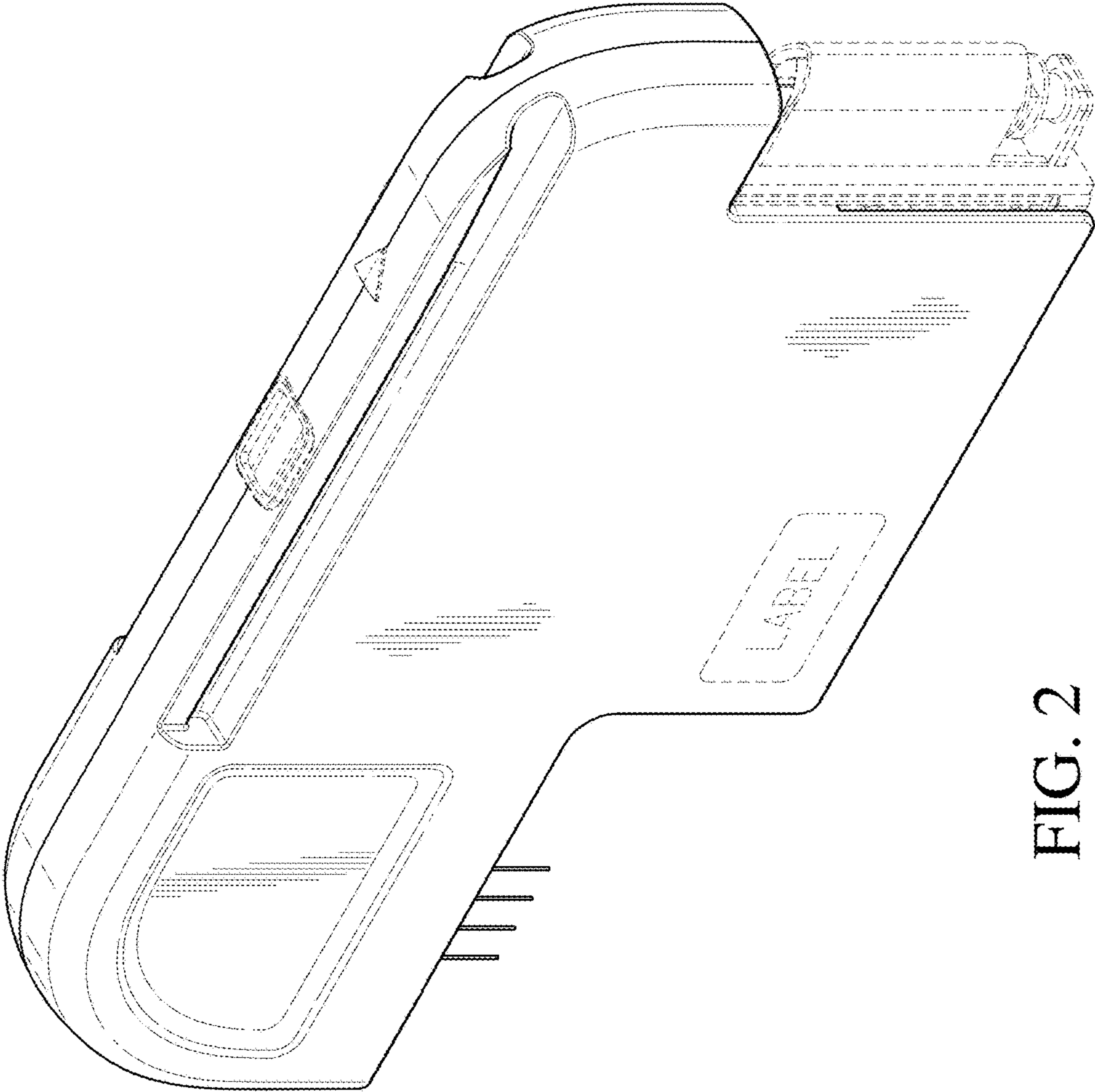


FIG. 2

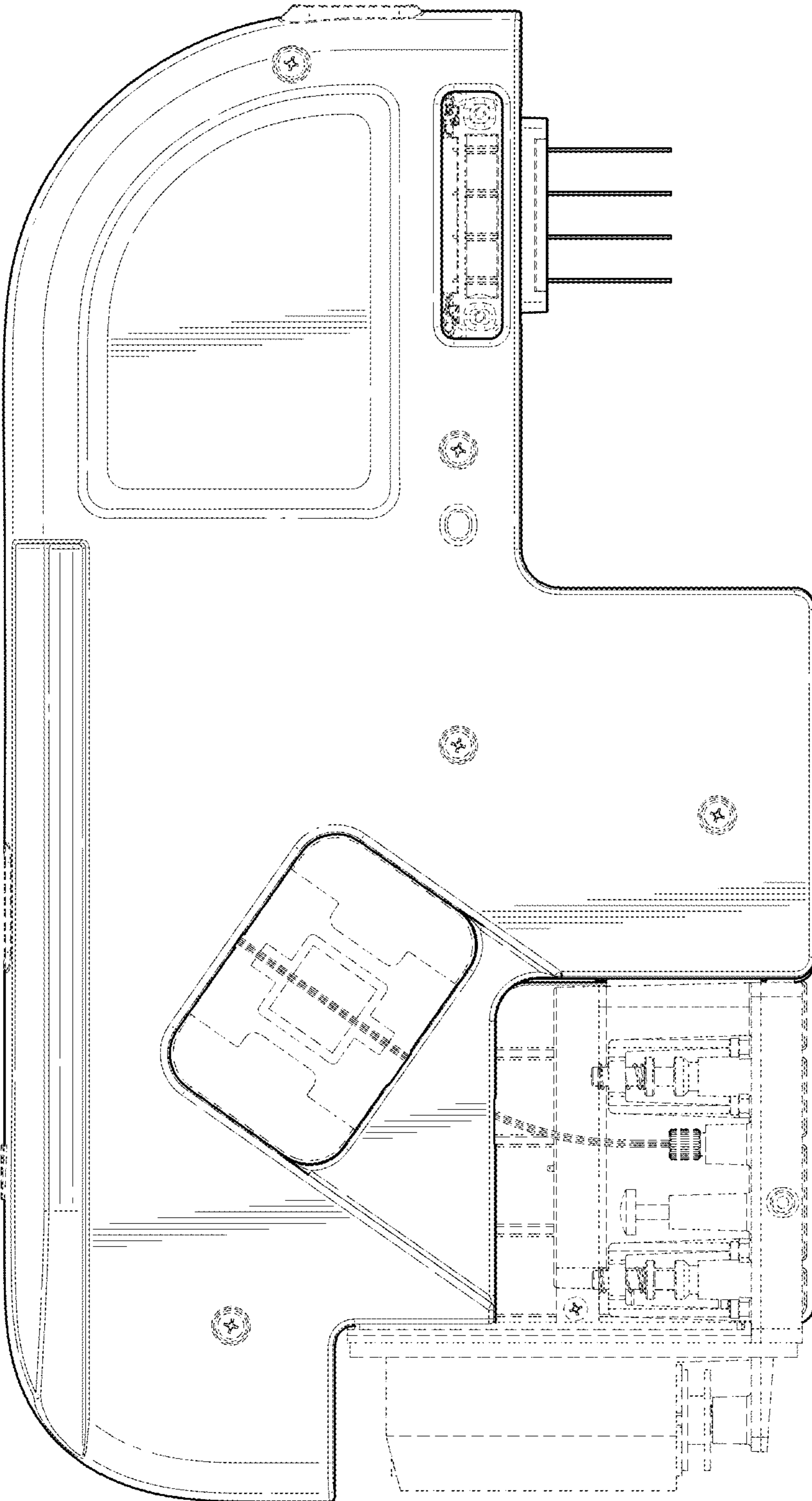


FIG. 3

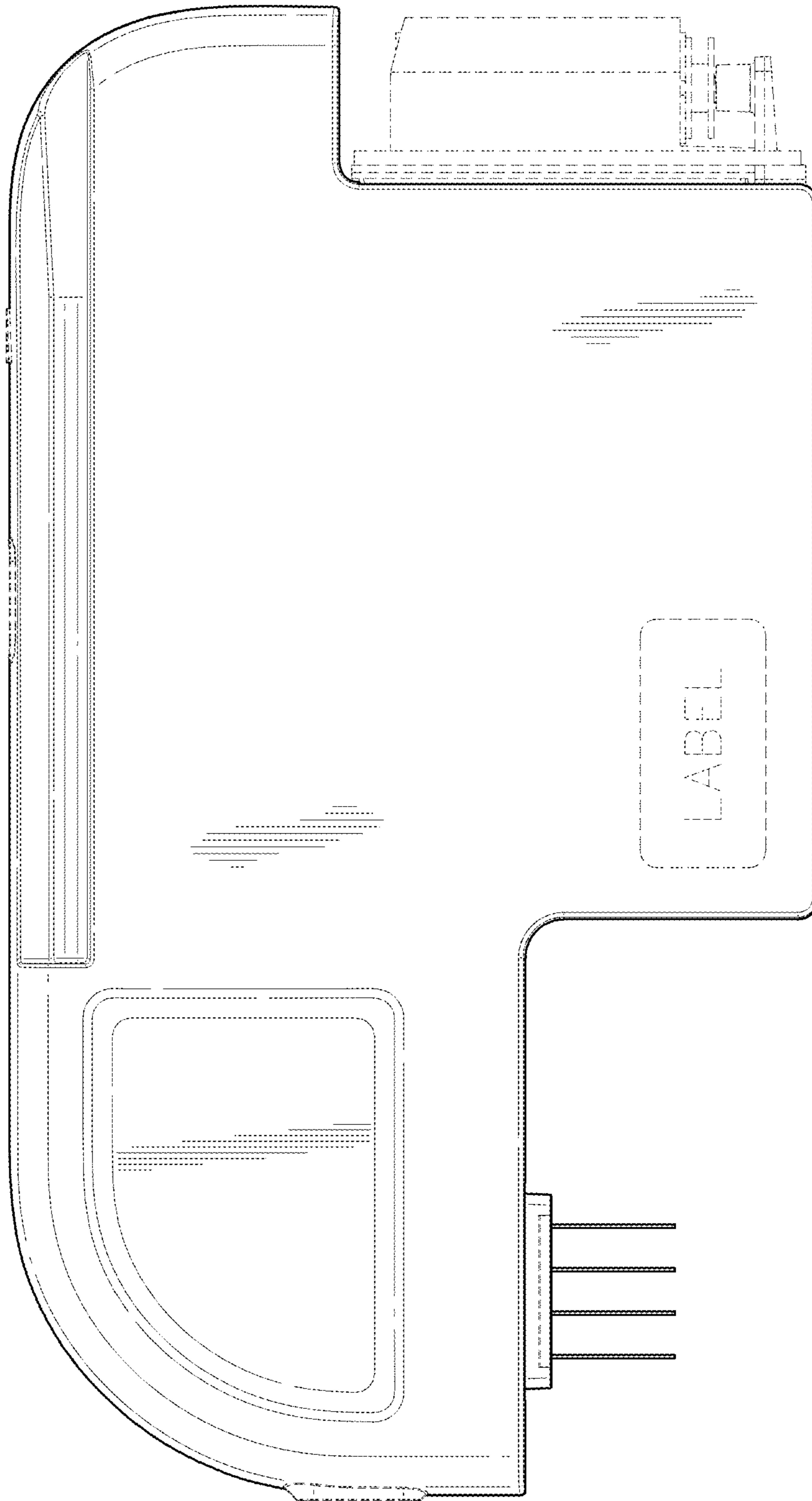


FIG. 4

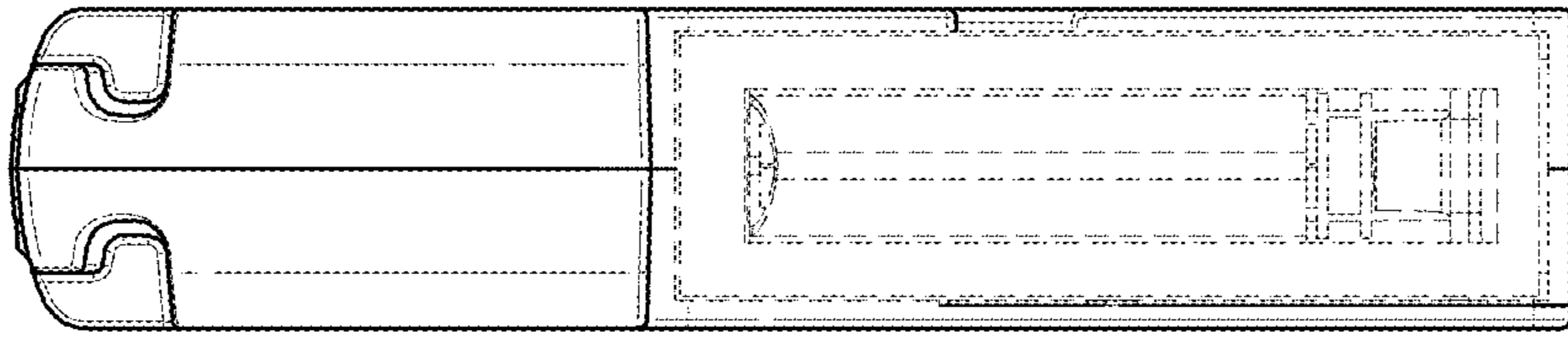


FIG. 5

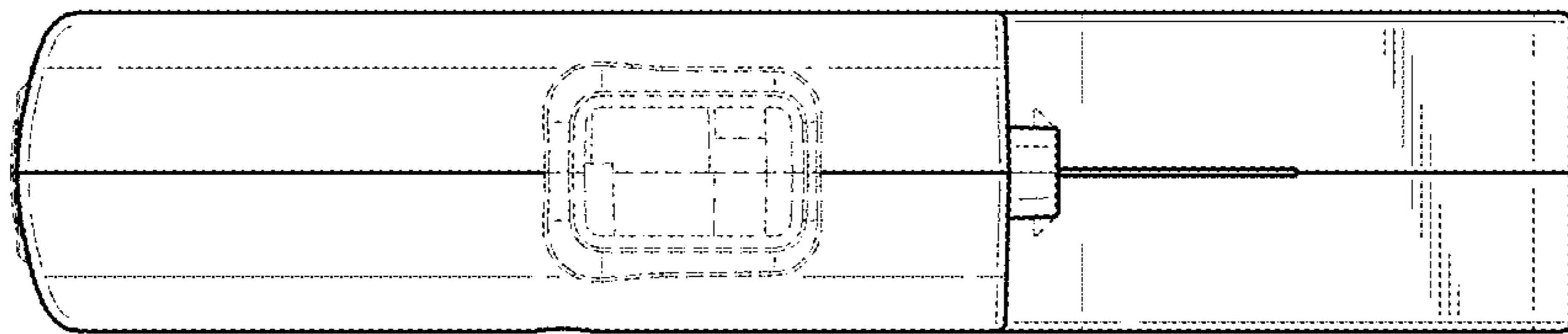


FIG. 6

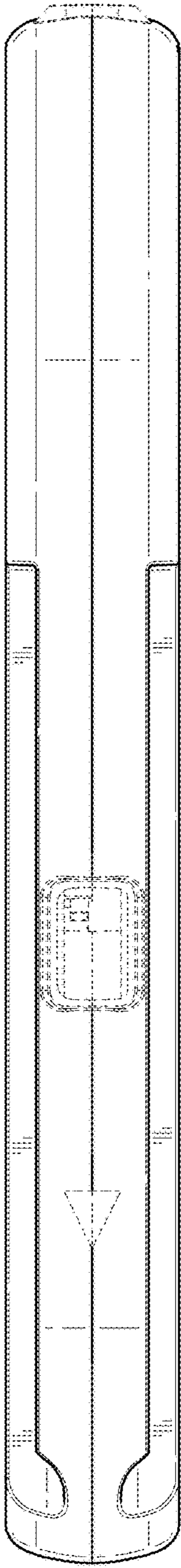


FIG. 7

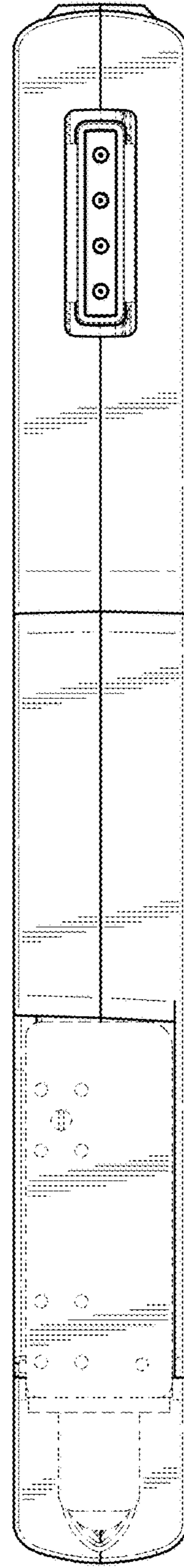


FIG. 8