



US00D852977S

(12) **United States Design Patent** (10) **Patent No.:** **US D852,977 S**
Suchocki et al. (45) **Date of Patent:** **** Jul. 2, 2019**

(54) **MODULAR CARTRIDGE ASSEMBLY**

2300/0861; B01L 2300/0829; B01L 3/5085; B01L 3/50853

(71) Applicant: **T2 Biosystems, Inc.**, Lexington, MA (US)

See application file for complete search history.

(72) Inventors: **Adam Suchocki**, Lexington, MA (US); **Steven Anthony Scampini**, Lexington, MA (US); **Joseph D. Antocci**, Lexington, MA (US); **Thomas Cygan**, Lexington, MA (US); **William Peine**, Lexington, MA (US); **Uli Thomann**, Lexington, MA (US); **Chris Werner**, Lexington, MA (US)

(56) **References Cited**

U.S. PATENT DOCUMENTS

D284,214 S	6/1986	Hatcher et al.
D285,118 S	8/1986	Huang
D288,479 S	2/1987	Covell et al.
D303,711 S	9/1989	DesRosier et al.
D330,085 S	10/1992	Crerar et al.
D332,145 S	12/1992	Wada et al.
D345,611 S	3/1994	Long
D366,529 S	1/1996	Babaoglu et al.
D414,561 S	9/1999	Escoffier
D416,330 S	11/1999	Brown
D438,632 S	3/2001	Miller
D452,740 S	1/2002	Brennan et al.

(Continued)

(73) Assignee: **T2 Biosystems, Inc.**, Lexington, MA (US)

(**) Term: **15 Years**

Primary Examiner — Anhdao Doan

Assistant Examiner — Mary Shannon Malley

(74) *Attorney, Agent, or Firm* — Clark & Elbing LLP

(21) Appl. No.: **29/585,590**

(22) Filed: **Nov. 28, 2016**

(51) **LOC (11) Cl.** **24-01**

(52) **U.S. Cl.**
USPC **D24/226**

(57) **CLAIM**

The ornamental design for a modular cartridge assembly, as shown and described.

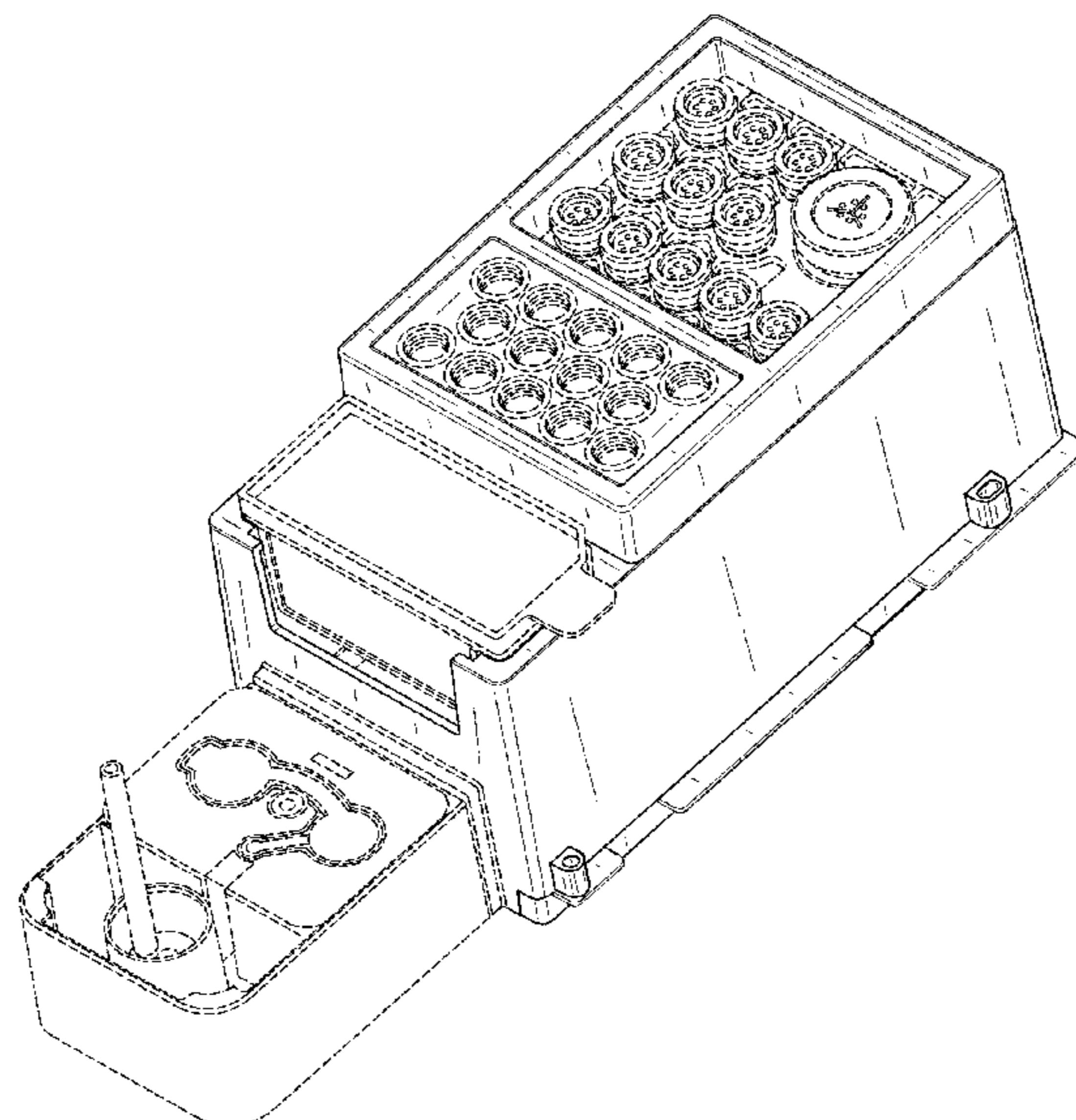
(58) **Field of Classification Search**

USPC D24/216–232, 107, 108, 119, 121, 162, D24/169, 186, 201, 233, 234; D10/81; 422/553; 435/297.5, 305.3
CPC G01N 2035/00306; G01N 2035/00326; G01N 2035/00336; G01N 2035/00029; G01N 2035/0401; G01N 2035/0403; G01N 2035/0405; G01N 2035/00019; G01N 2030/027; G01N 35/08; G01N 35/02; G01N 35/021; G01N 35/026; G01N 35/028; G01N 35/04; G01N 1/22; G01N 1/2205; G01N 1/2273; G01N 33/497; G01N 33/4977; B01L 2300/0809; B01L 2300/0816; B01L 2300/0822; B01L 2300/0832; B01L 2300/0806; B01L

DESCRIPTION

FIG. 1 is a perspective view of a modular cartridge assembly showing the claimed design.
FIG. 2 is a front view of the modular cartridge assembly.
FIG. 3 is a rear view of the modular cartridge assembly.
FIG. 4 is a left side view of the modular cartridge assembly.
FIG. 5 is a right side view of the modular cartridge assembly.
FIG. 6 is a top view of the modular cartridge assembly; and,
FIG. 7 is a bottom view of the modular cartridge assembly.
The broken lines show portions of the modular cartridge assembly that form no part of the claimed design.

1 Claim, 6 Drawing Sheets



(56)

References Cited

U.S. PATENT DOCUMENTS

D492,419 S *	6/2004	Farina	D24/216	D808,540 S *	1/2018	Johns	D24/227
D516,732 S	3/2006	Sakurai et al.		D814,652 S *	4/2018	Buxton	D24/224
D556,338 S	11/2007	Coulling et al.		9,932,574 B2 *	4/2018	Burghardt	C12N 15/1006
D628,306 S	11/2010	Blanc et al.		2003/0133282 A1 *	7/2003	Beihoff	B60L 11/12 361/818
D632,803 S	2/2011	Motadel et al.		2005/0142033 A1 *	6/2005	Glezer	B01L 3/5085 422/400
D657,473 S	4/2012	Miyashita et al.		2010/0180980 A1	7/2010	Lee et al.	
D673,293 S *	12/2012	Demas	D24/226	2010/0233035 A1	9/2010	Denawa et al.	
D674,112 S *	1/2013	Demas	D24/226	2012/0100546 A1 *	4/2012	Lowery, Jr.	C12Q 1/6895 435/6.12
D691,733 S *	10/2013	Demas	D24/226	2013/0244238 A1	9/2013	Neely et al.	
D717,470 S *	11/2014	Demas	D24/226	2013/0260367 A1	10/2013	Lowery, Jr. et al.	
8,883,423 B2	11/2014	Neely		2013/0266944 A1	10/2013	Neely et al.	
D736,403 S *	8/2015	Hudson	D24/216	2013/0273522 A1	10/2013	Lowery, Jr. et al.	
D739,553 S *	9/2015	Yang	D24/232	2013/0273523 A1	10/2013	Neely et al.	
D772,427 S *	11/2016	Leaver	D24/224	2014/0191109 A1 *	7/2014	Chamberlin	G02B 7/36 250/201.7
D776,297 S *	1/2017	Demas	D24/230	2017/0233798 A1 *	8/2017	Neely	C12Q 1/6825
9,714,940 B2 *	7/2017	Lowery, Jr.	B82Y 25/00				
D793,573 S *	8/2017	Karmeniemi	D24/226				

* cited by examiner

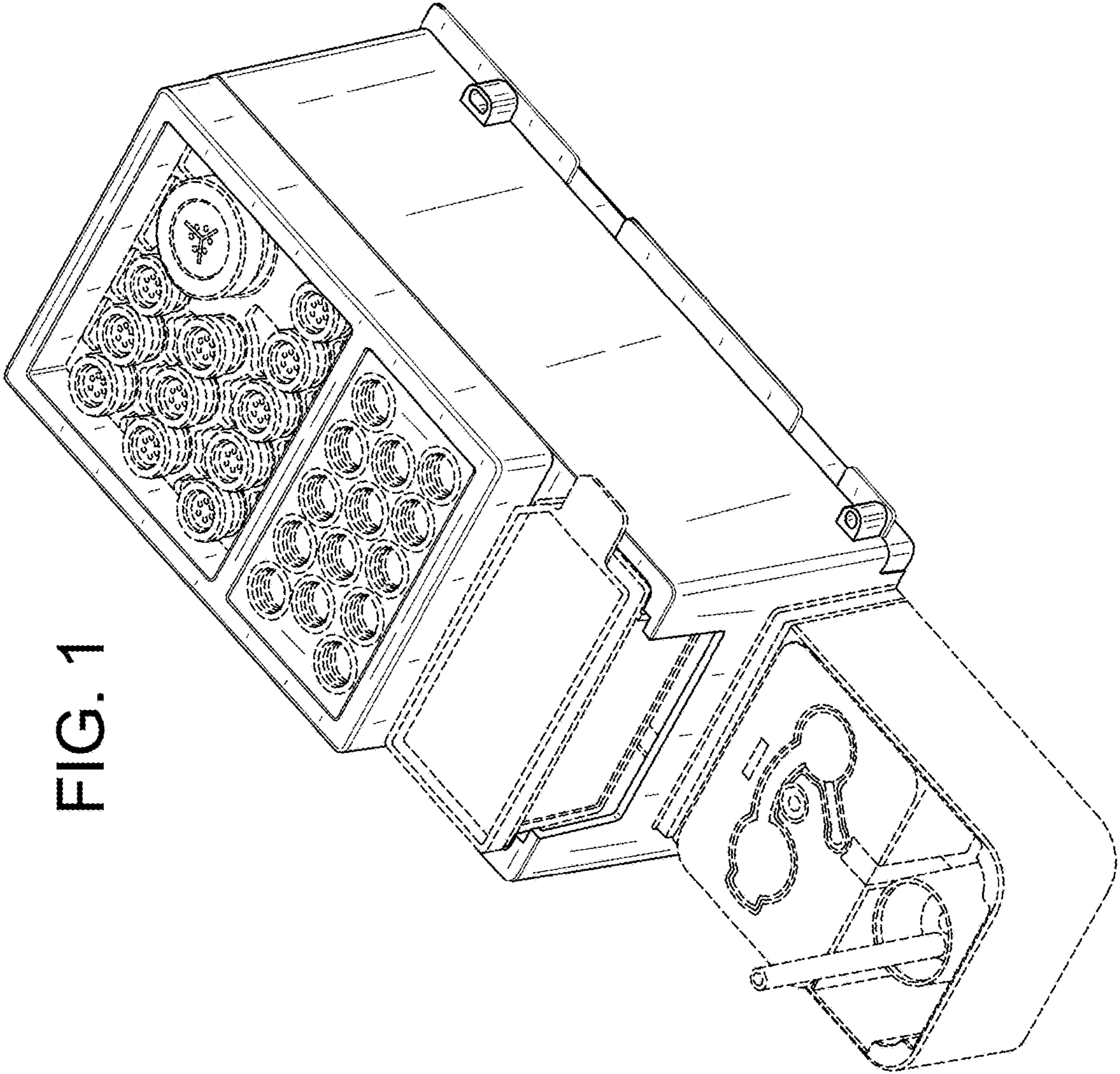


FIG. 1

FIG. 3

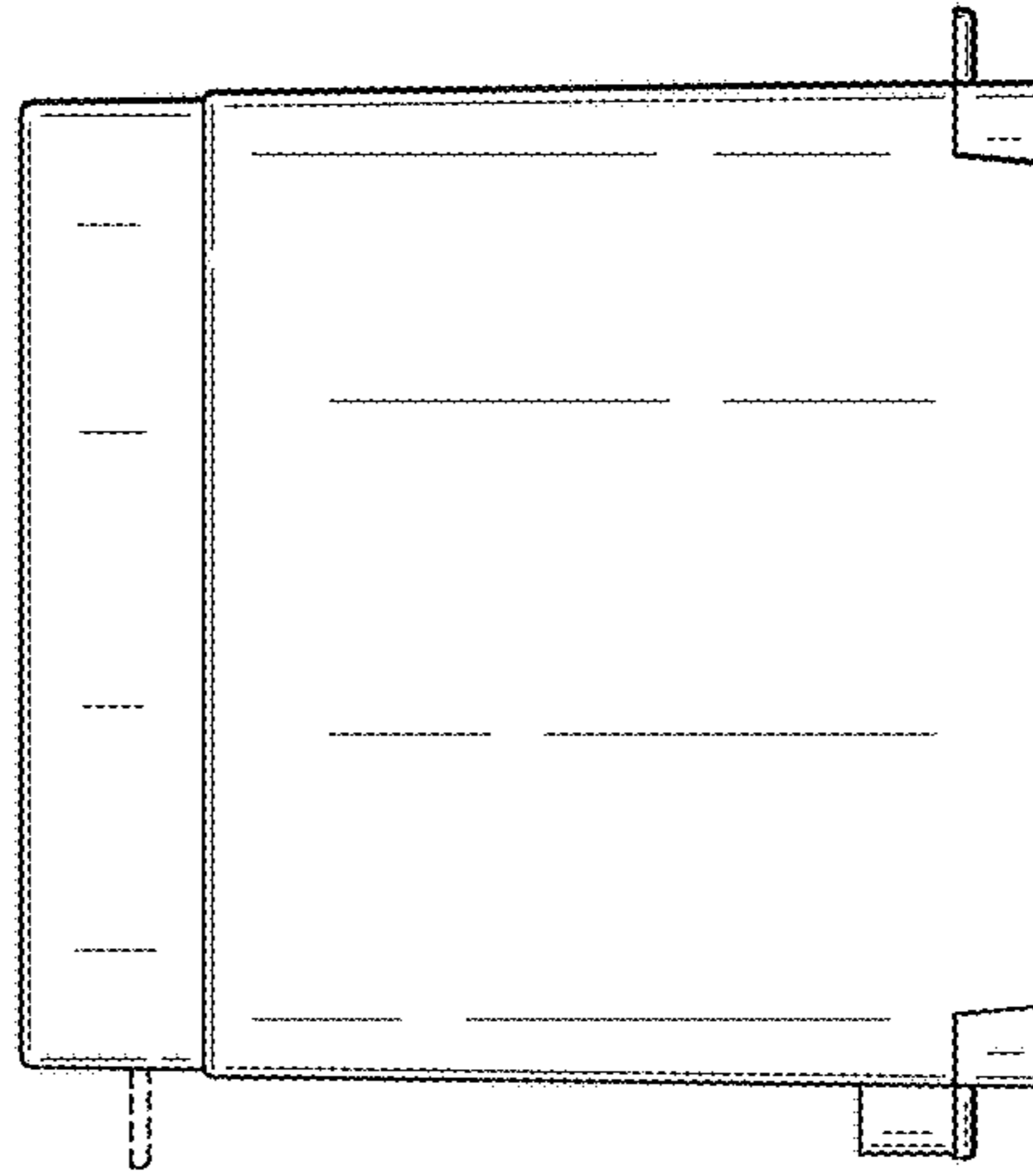


FIG. 2

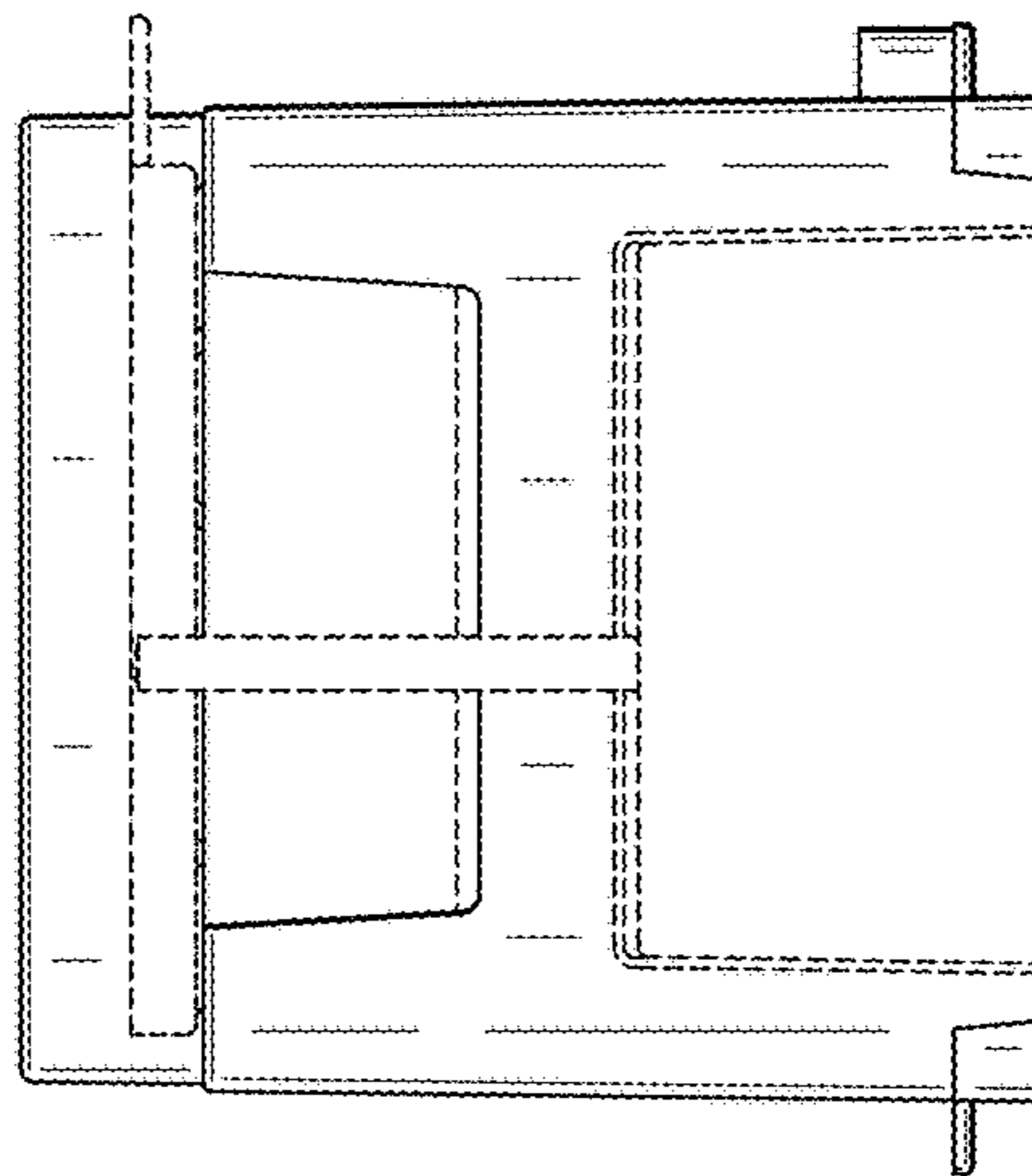


FIG. 4

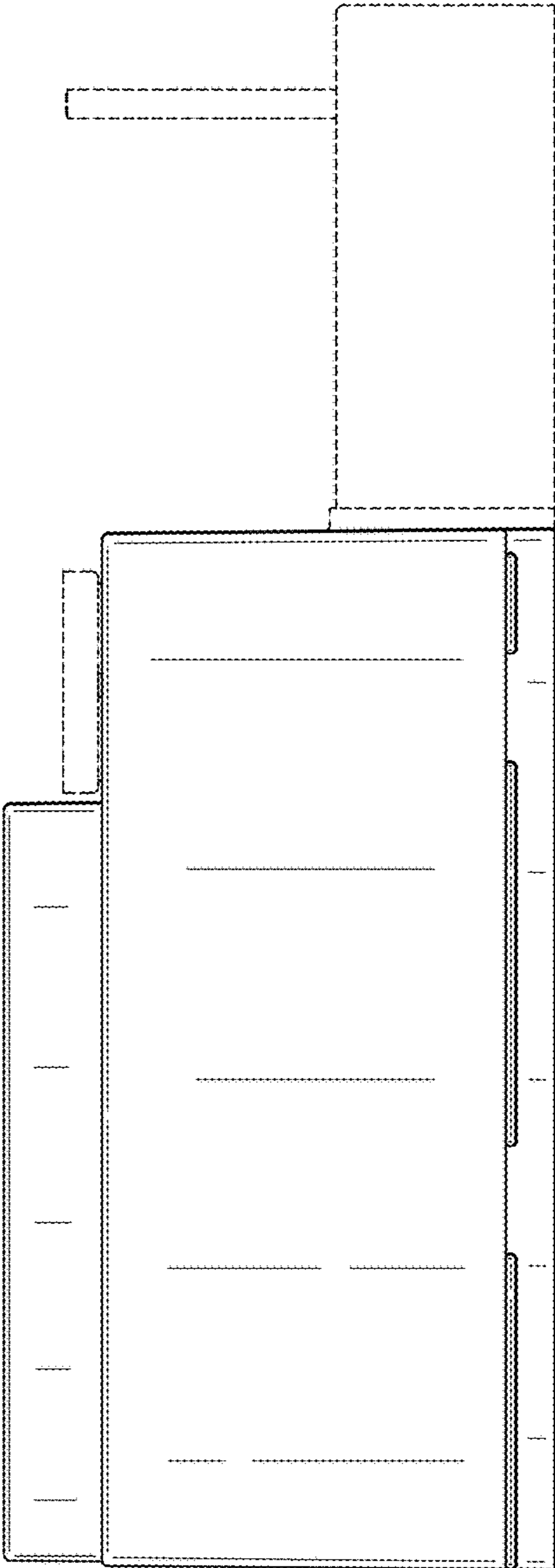


FIG. 5

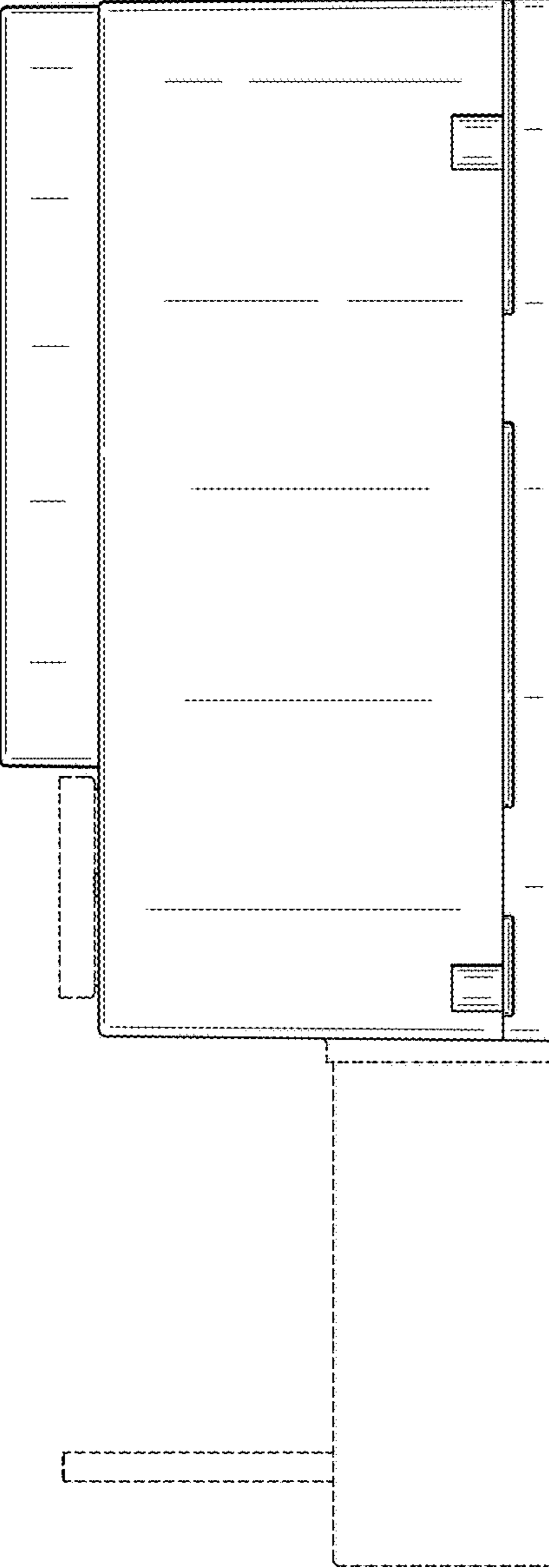


FIG. 6

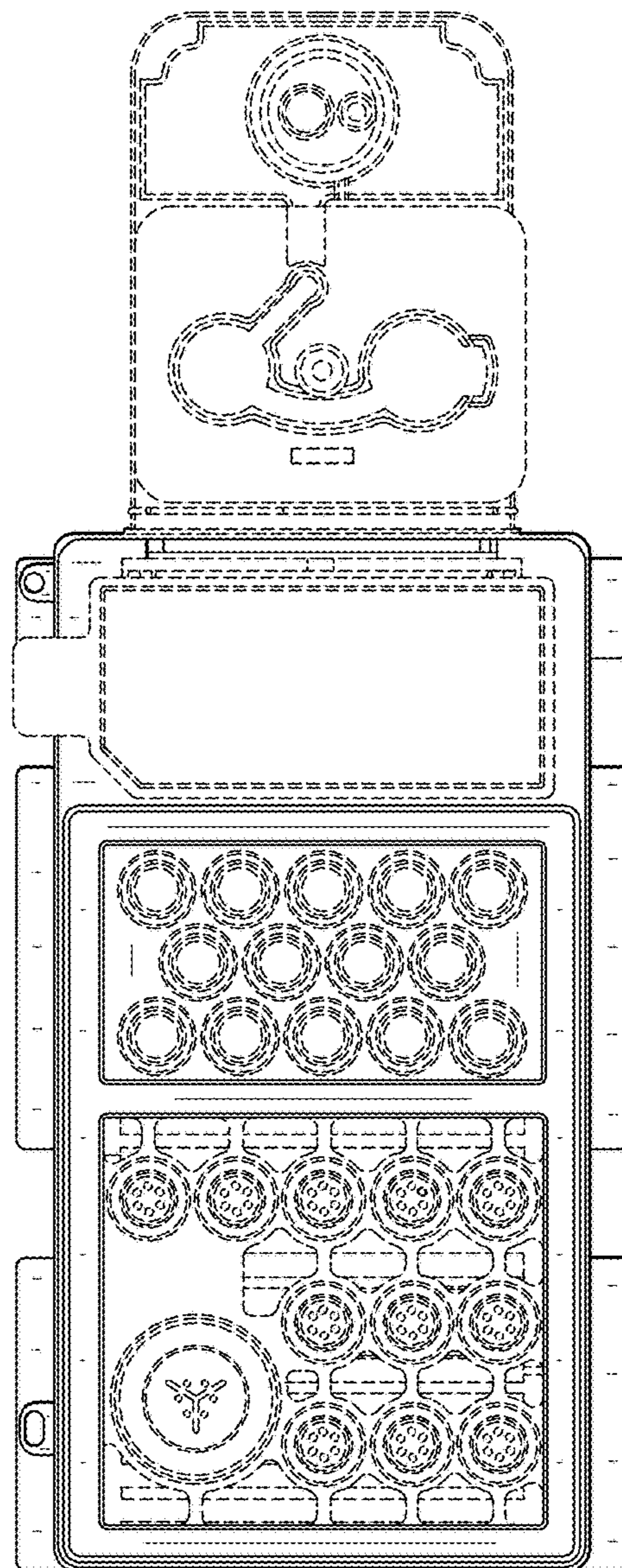


FIG. 7

