



US00D852971S

(12) **United States Design Patent**  
**Gan**

(10) **Patent No.:** **US D852,971 S**  
(45) **Date of Patent:** **\*\* Jul. 2, 2019**

(54) **WIRELESS MASSAGER**

**DESCRIPTION**

(71) Applicant: **Shenzhen Valuelink E-Commerce Co., Ltd.**, Shenzhen (CN)

(72) Inventor: **Qing-Cao Gan**, Shenzhen (CN)

(73) Assignee: **Shenzhen Valuelink E-Commerce Co., Ltd.**, Shenzhen (CN)

(\*\*) Term: **15 Years**

(21) Appl. No.: **29/635,595**

(22) Filed: **Feb. 1, 2018**

(51) **LOC (11) Cl.** ..... **28-03**

(52) **U.S. Cl.**  
USPC ..... **D24/211**

(58) **Field of Classification Search**  
USPC ..... 601/15, 18, 19, 46, 47, 48, 52, 99, 112,  
601/113, 118, 125, 129, 134, 135, 137,  
(Continued)

(56) **References Cited**

**U.S. PATENT DOCUMENTS**

D226,583 S \* 3/1973 Welch ..... D24/214  
D234,725 S \* 4/1975 Yamada ..... D24/214  
(Continued)

**OTHER PUBLICATIONS**

Reddot21, "Nursal WX-007 Handheld Percussion Massager", Nov. 28, 2018. <https://red-dot-21.com/p/design-products/medicine-life-science/other-medicine-life-science/handheld-percussion-massager/>. Shown on p. 1. (Year: 2018).\*

*Primary Examiner* — Cynthia Ramirez

*Assistant Examiner* — Michael A Maharajh

(74) *Attorney, Agent, or Firm* — ScienBiziP, P.C.

(57) **CLAIM**

The ornamental design for a wireless massager, as shown and described.

FIG. 1 is a front perspective view of a wireless massager, showing my new design;

FIG. 2 is a rear perspective view of the wireless massager shown in FIG. 1;

FIG. 3 is a front elevation view of the wireless massager shown in FIG. 1;

FIG. 4 is a rear elevation view of the wireless massager shown in FIG. 1;

FIG. 5 is a left side elevation view of the wireless massager shown in FIG. 1;

FIG. 6 is a right side elevation view of the wireless massager shown in FIG. 1;

FIG. 7 is a top plan view of the wireless massager shown in FIG. 1;

FIG. 8 is a bottom plan view of the wireless massager shown in FIG. 1;

FIG. 9 is a perspective view of the wireless massager in an environment in which it may be used;

FIG. 10 is an enlarged view of design features comprised within a circle 10 in FIG. 1;

FIG. 11 is an enlarged view of design features comprised within a circle 11 in FIG. 1;

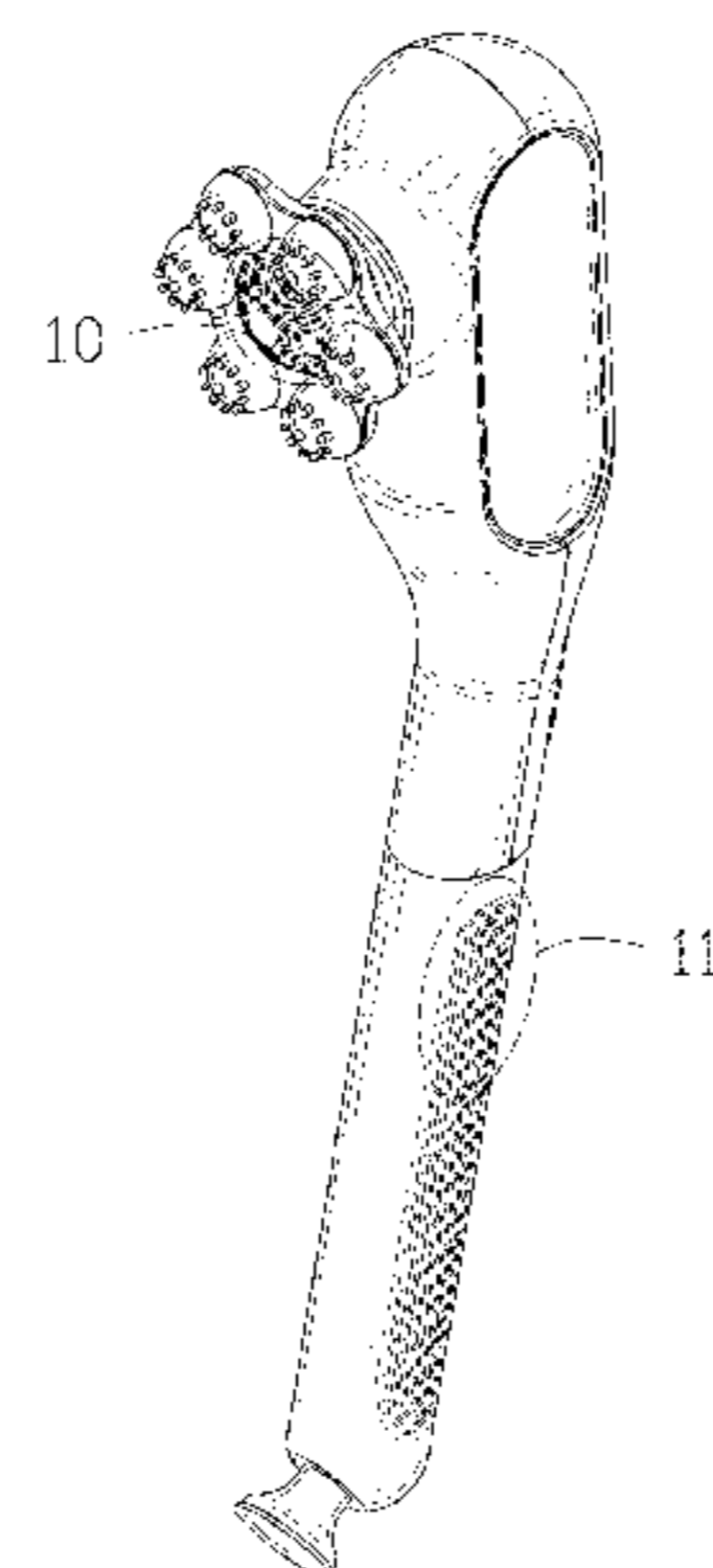
FIG. 12 is an enlarged view of design features comprised within a circle 12 in FIG. 3;

FIG. 13 is an enlarged view of design features comprised within a circle 13 in FIG. 3; and,

FIG. 14 is an enlarged view of design features comprised within a circle 14 in FIG. 5.

The broken lines in the drawings are for the purpose of illustrating portions of the wireless massager, which form no part of the claimed design. The dash-dot lines shown in the figures are of the purposes of showing bounds of the claims design and form no part thereof. The remaining broken lines in FIG. 9 are for the purpose of illustrating environmental structure, which form no part of the claimed design.

**1 Claim, 14 Drawing Sheets**



(58) **Field of Classification Search**

USPC .... 601/DIG. 12, DIG. 14, DIG. 15, DIG. 16,  
601/DIG. 17; D24/133, 200, 211, 212,  
D24/213, 214, 215; 600/38, 39, 40, 41;  
D30/160  
CPC ..... A61H 2201/0153; A61H 7/003; A61H  
7/007; A61H 2015/0014; A61H 23/00;  
A61H 39/04  
See application file for complete search history.

(56) **References Cited**

U.S. PATENT DOCUMENTS

D281,625 S \* 12/1985 Yuen ..... D24/211  
D321,056 S \* 10/1991 Chambers ..... D24/211  
D324,914 S \* 3/1992 Bucher ..... D24/214  
D329,292 S \* 9/1992 Wollman ..... D24/200  
D331,467 S \* 12/1992 Wollman ..... D24/200  
5,187,827 A \* 2/1993 Wei ..... A46B 13/06  
15/22.1  
D334,430 S \* 3/1993 Tsou ..... D24/214  
5,197,459 A \* 3/1993 Henkin ..... A61H 33/027  
601/112  
D339,198 S \* 9/1993 Mochida ..... D24/211  
D355,259 S \* 2/1995 Lie ..... D24/215

D372,788 S \* 8/1996 Brun ..... D24/215  
D374,934 S \* 10/1996 Lie ..... D24/215  
D377,394 S \* 1/1997 Tillman ..... D24/215  
D383,849 S \* 9/1997 Wollman ..... D24/214  
D435,913 S \* 1/2001 Harris ..... D24/214  
D438,308 S \* 2/2001 Harris ..... D24/214  
D447,811 S \* 9/2001 Yiu ..... D24/214  
D457,643 S \* 5/2002 Qi ..... D24/214  
D463,862 S \* 10/2002 Lau ..... D24/214  
D473,343 S \* 4/2003 Carruba ..... D24/214  
6,730,050 B2 \* 5/2004 Huang ..... A61H 23/0254  
601/103  
D497,208 S \* 10/2004 Longoria ..... D23/223  
D500,854 S \* 1/2005 Eichel ..... D24/133  
D510,441 S \* 10/2005 Harris, Jr. .... D24/214  
D523,556 S \* 6/2006 Glucksman ..... D24/133  
D531,733 S \* 11/2006 Burout, III ..... D24/215  
D533,943 S \* 12/2006 Chen ..... D24/146  
D569,523 S \* 5/2008 Hsieh ..... D24/206  
D609,817 S \* 2/2010 Piller ..... D24/215  
D627,898 S \* 11/2010 Aulwes ..... D24/214  
D628,304 S \* 11/2010 Aulwes ..... D24/214  
D646,795 S \* 10/2011 Seehoff ..... D24/214  
D649,657 S \* 11/2011 Petersen ..... D24/215  
D652,524 S \* 1/2012 Messner ..... D24/211  
D654,223 S \* 2/2012 Aulwes ..... D28/50  
D729,398 S \* 5/2015 Park ..... D24/215

\* cited by examiner

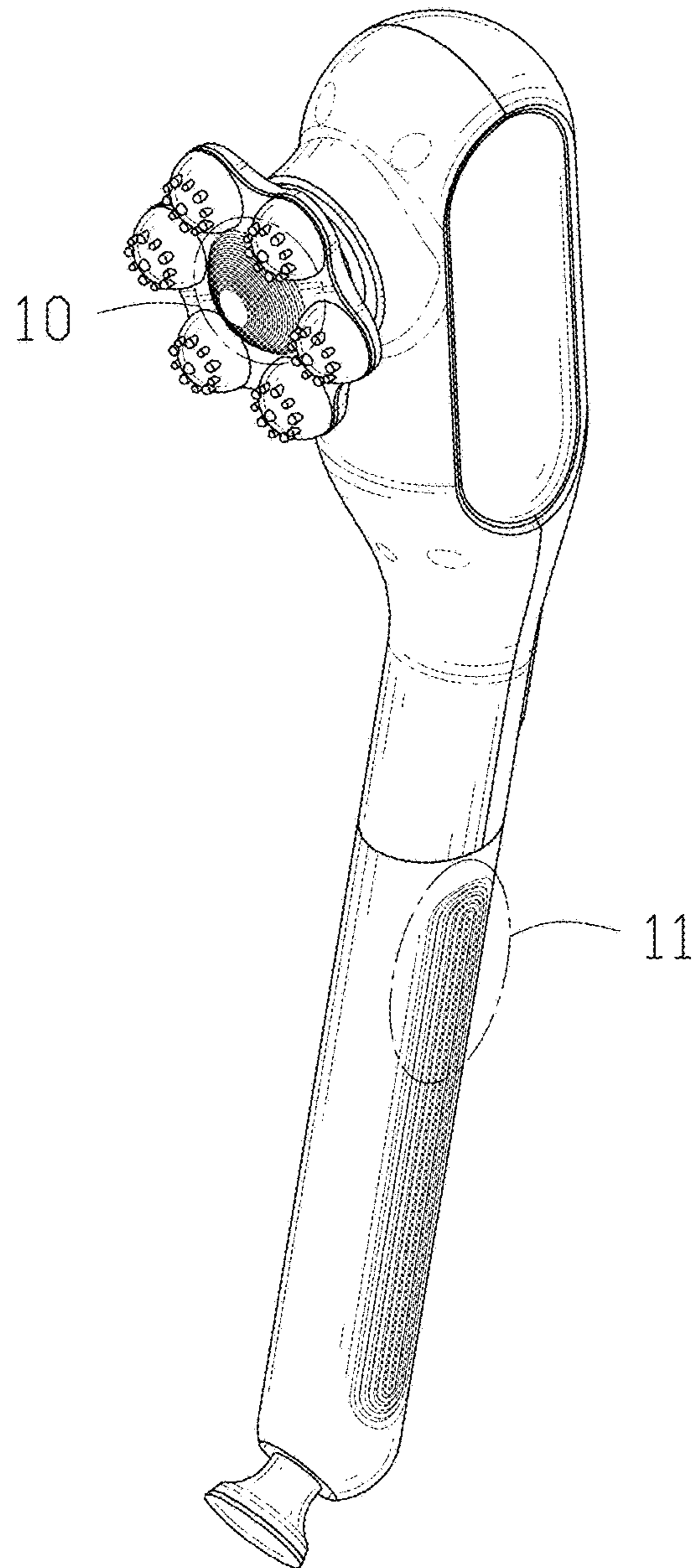


FIG. 1

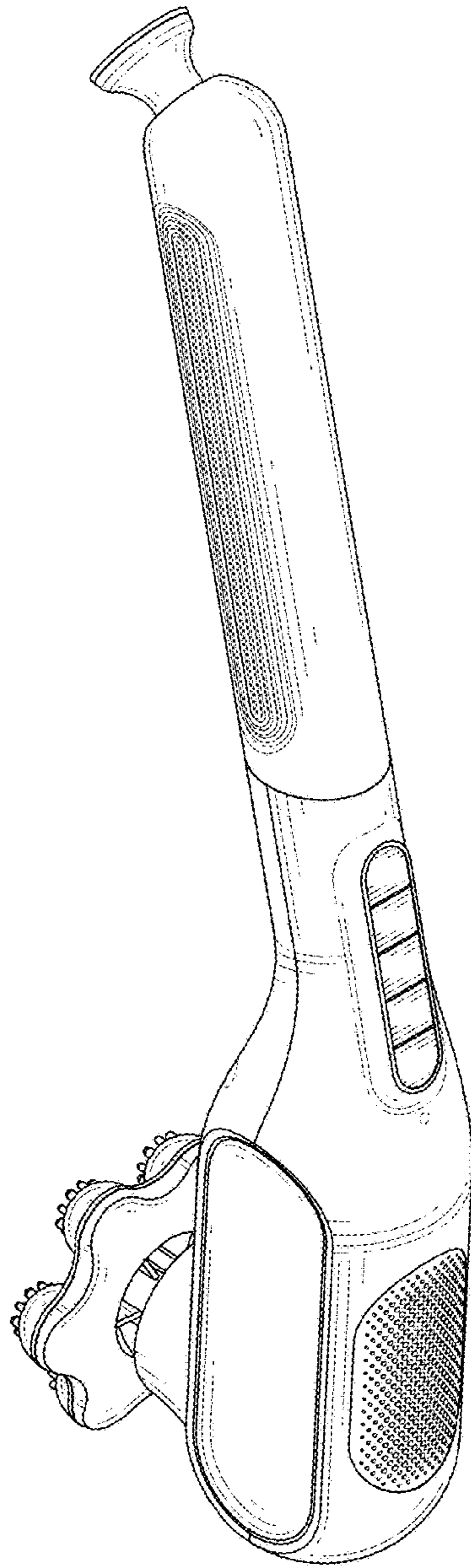


FIG. 2

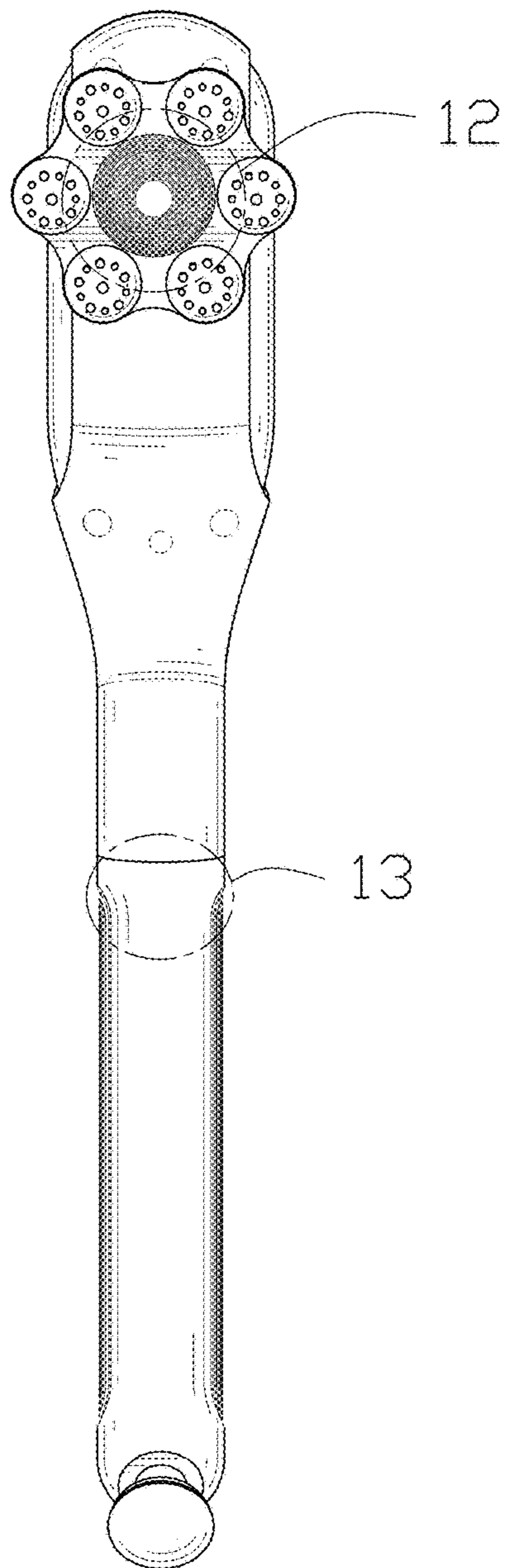


FIG. 3

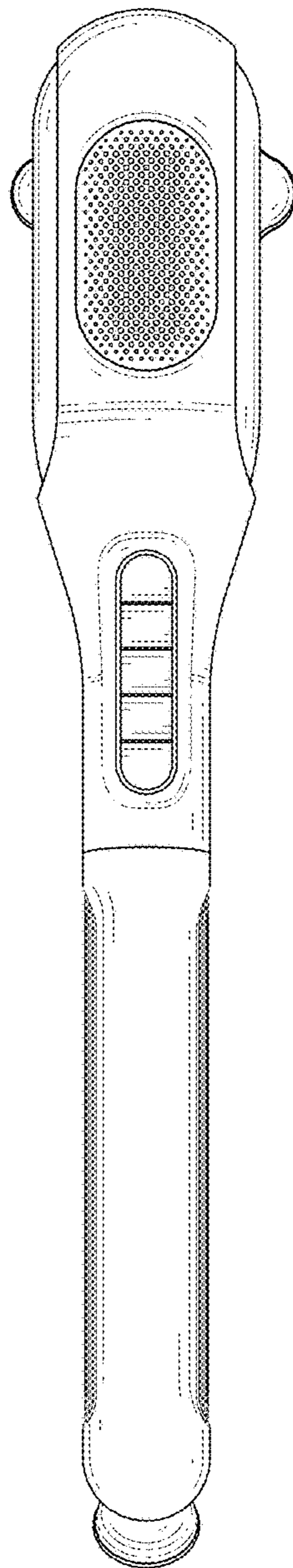


FIG. 4

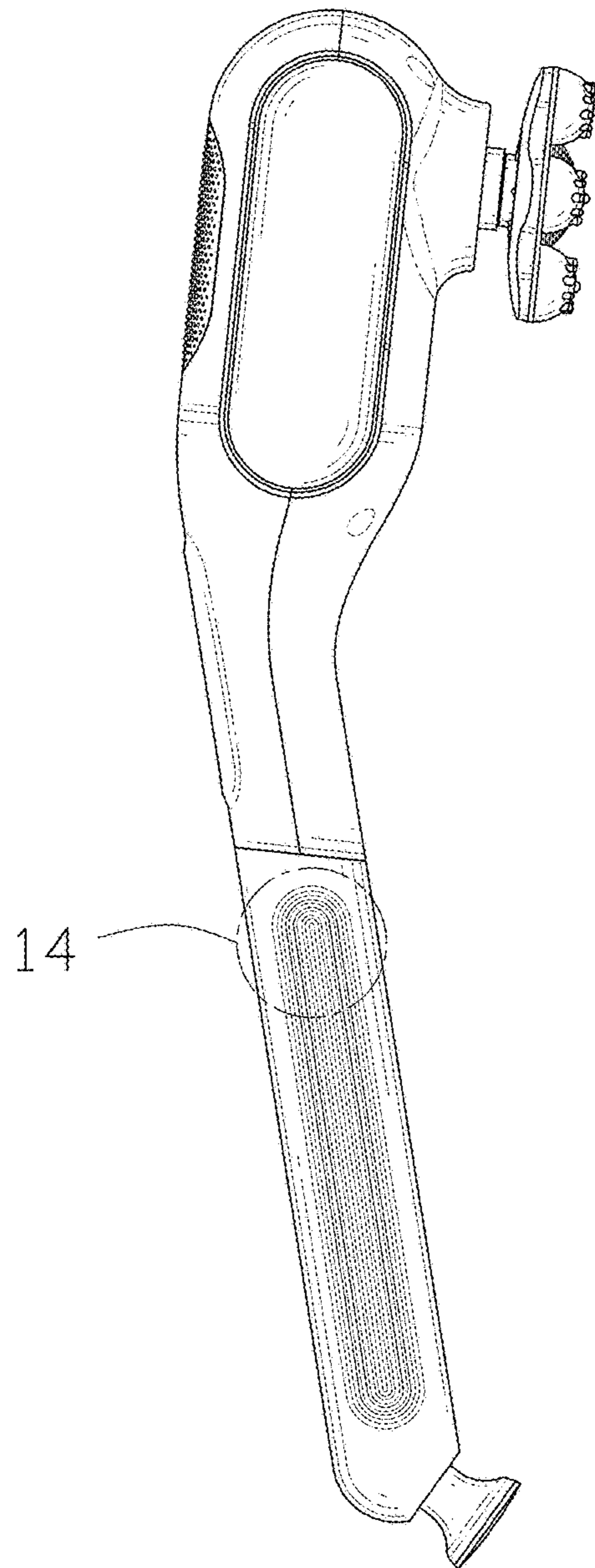


FIG. 5

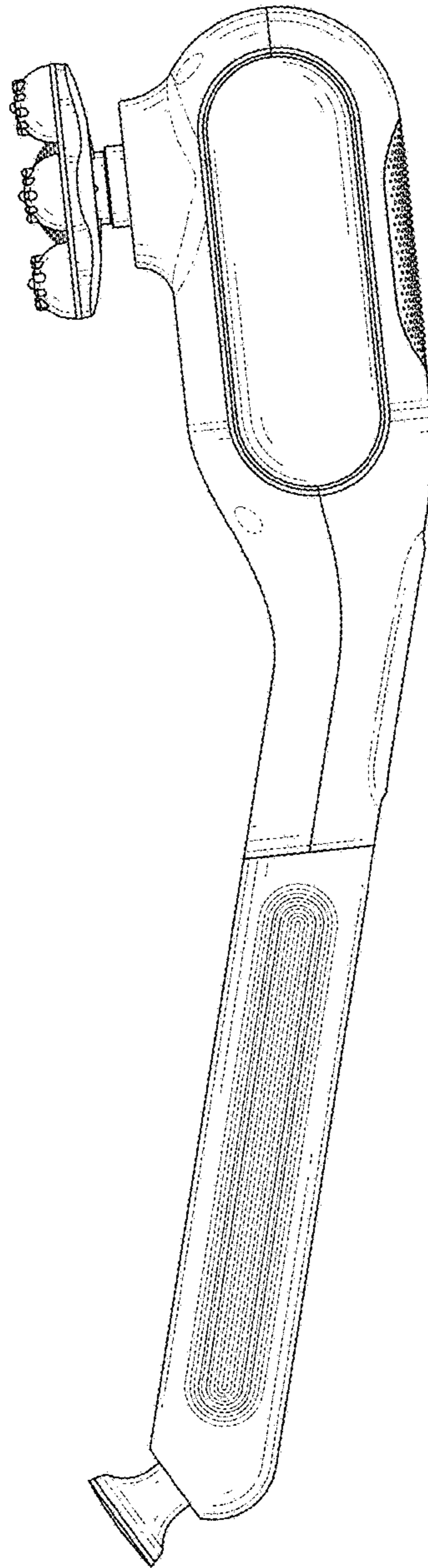


FIG. 6



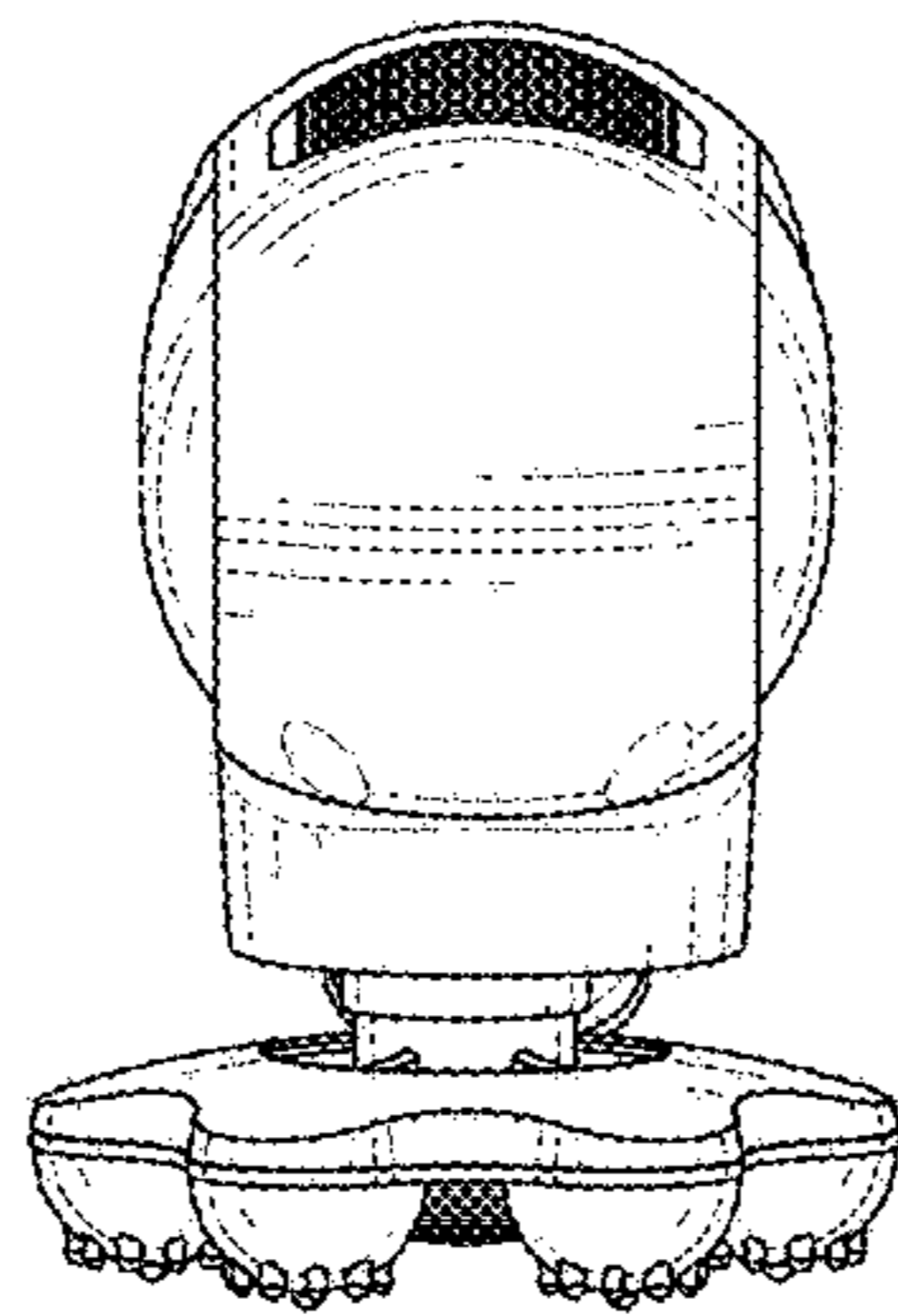


FIG. 7

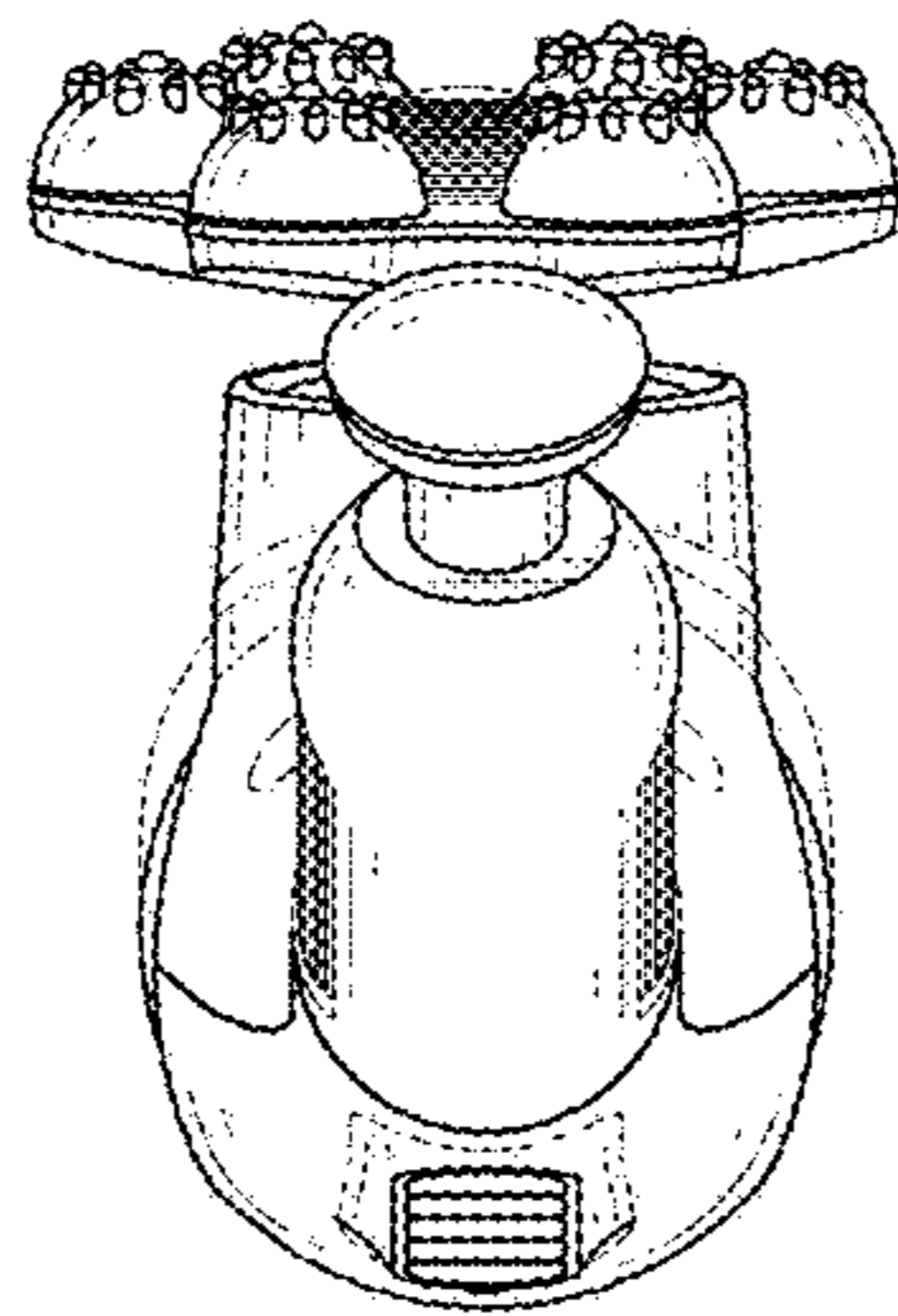


FIG. 8

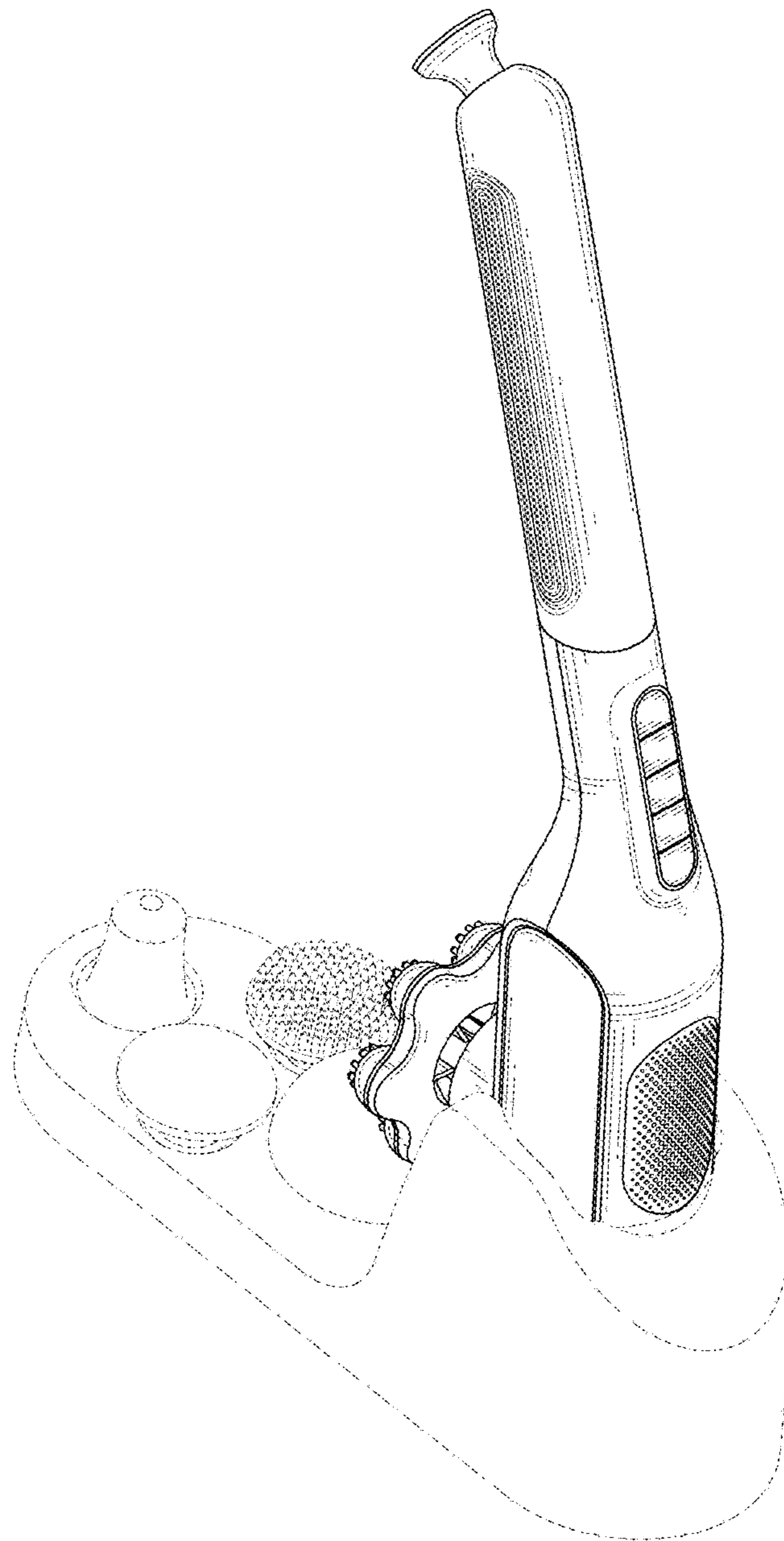


FIG. 9

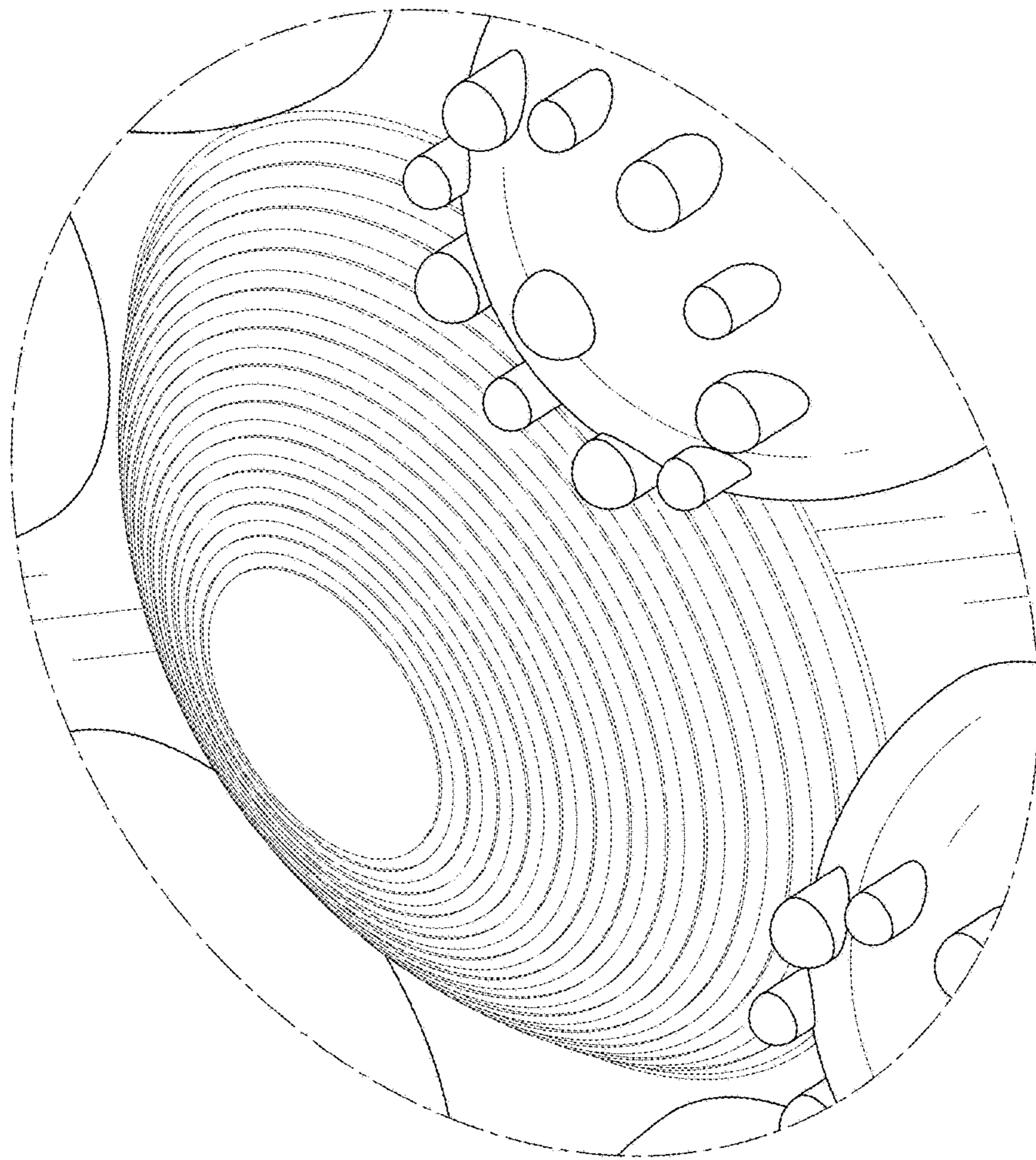


FIG. 10

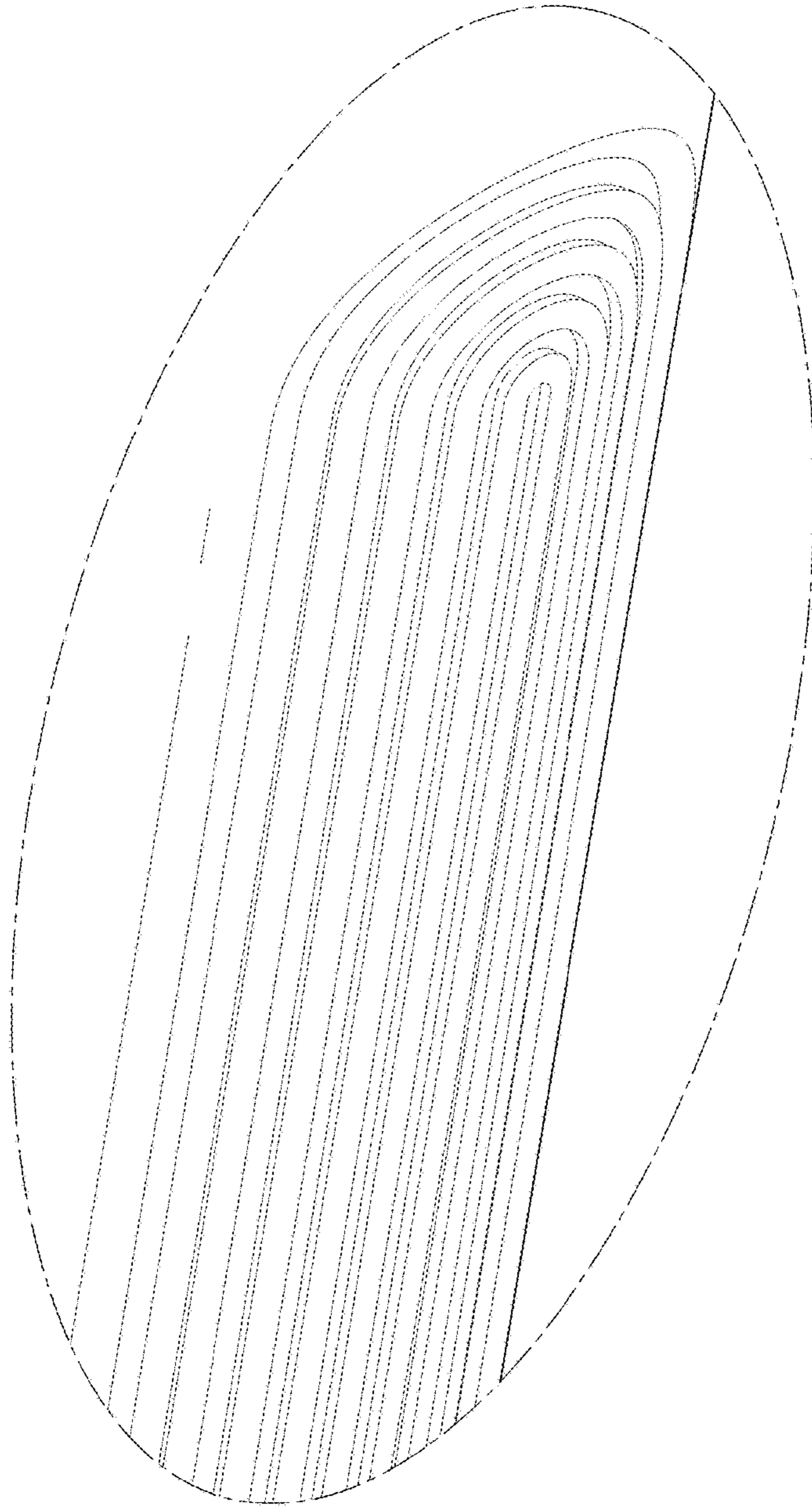


FIG. 11

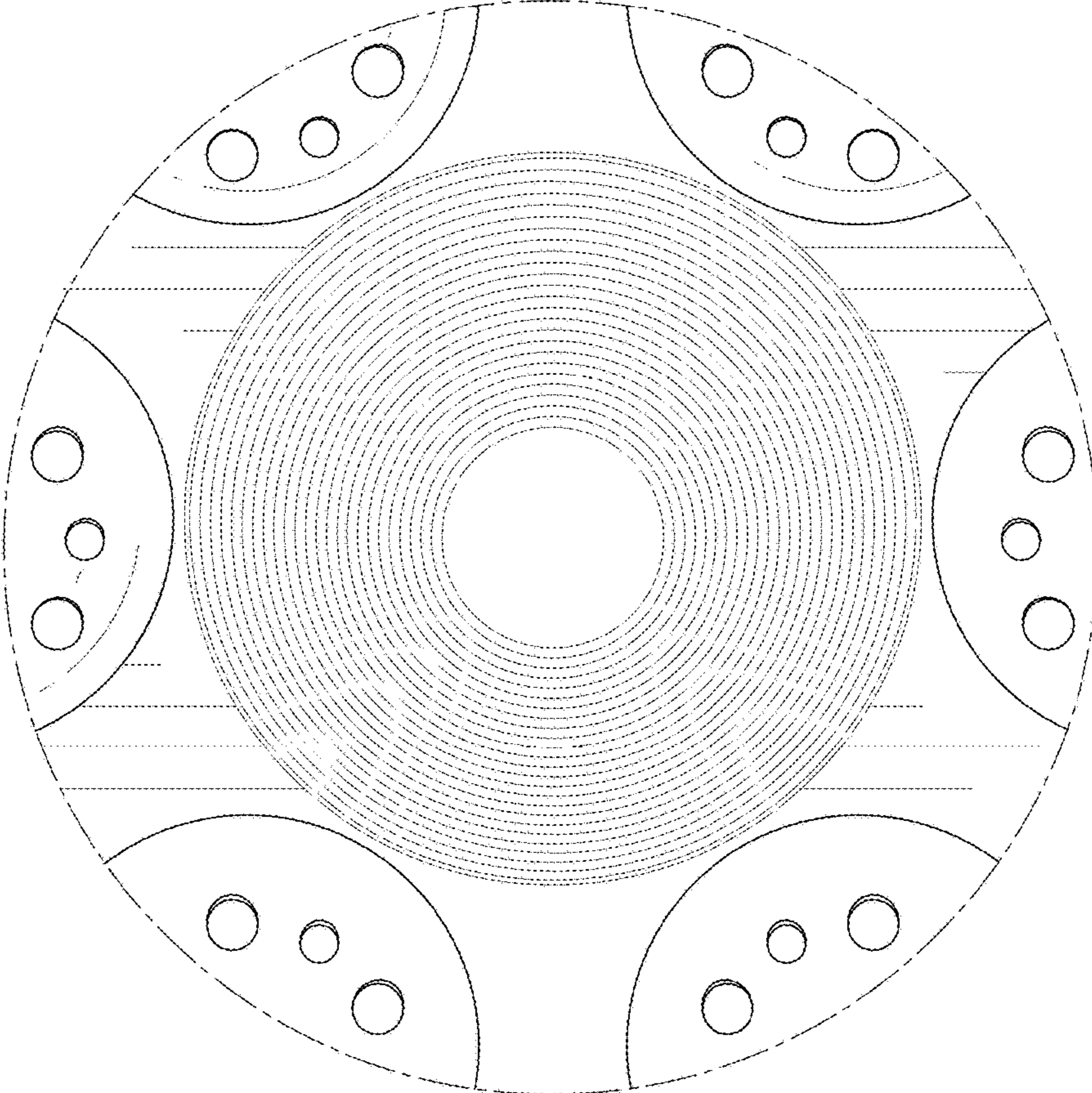


FIG. 12

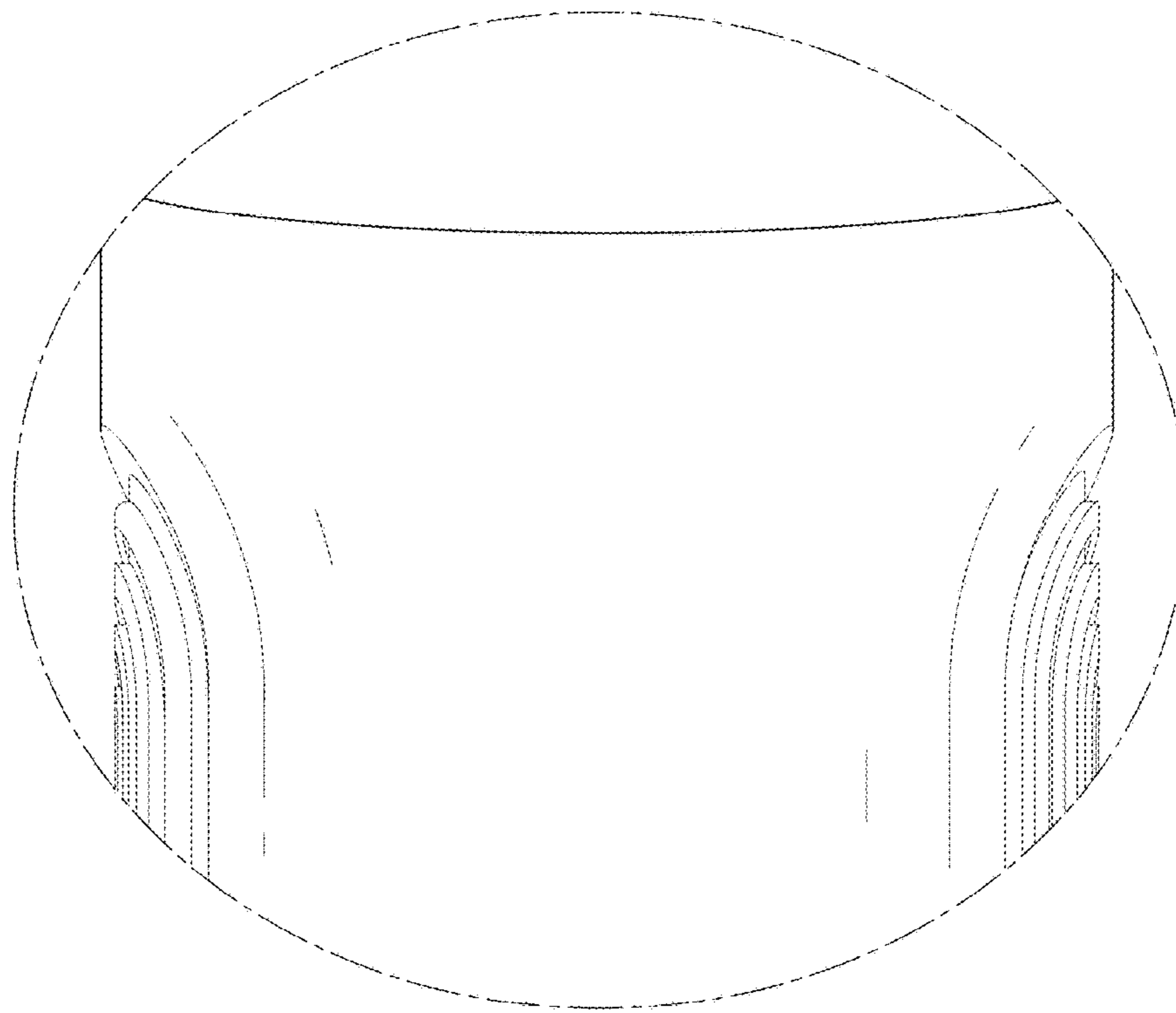


FIG. 13

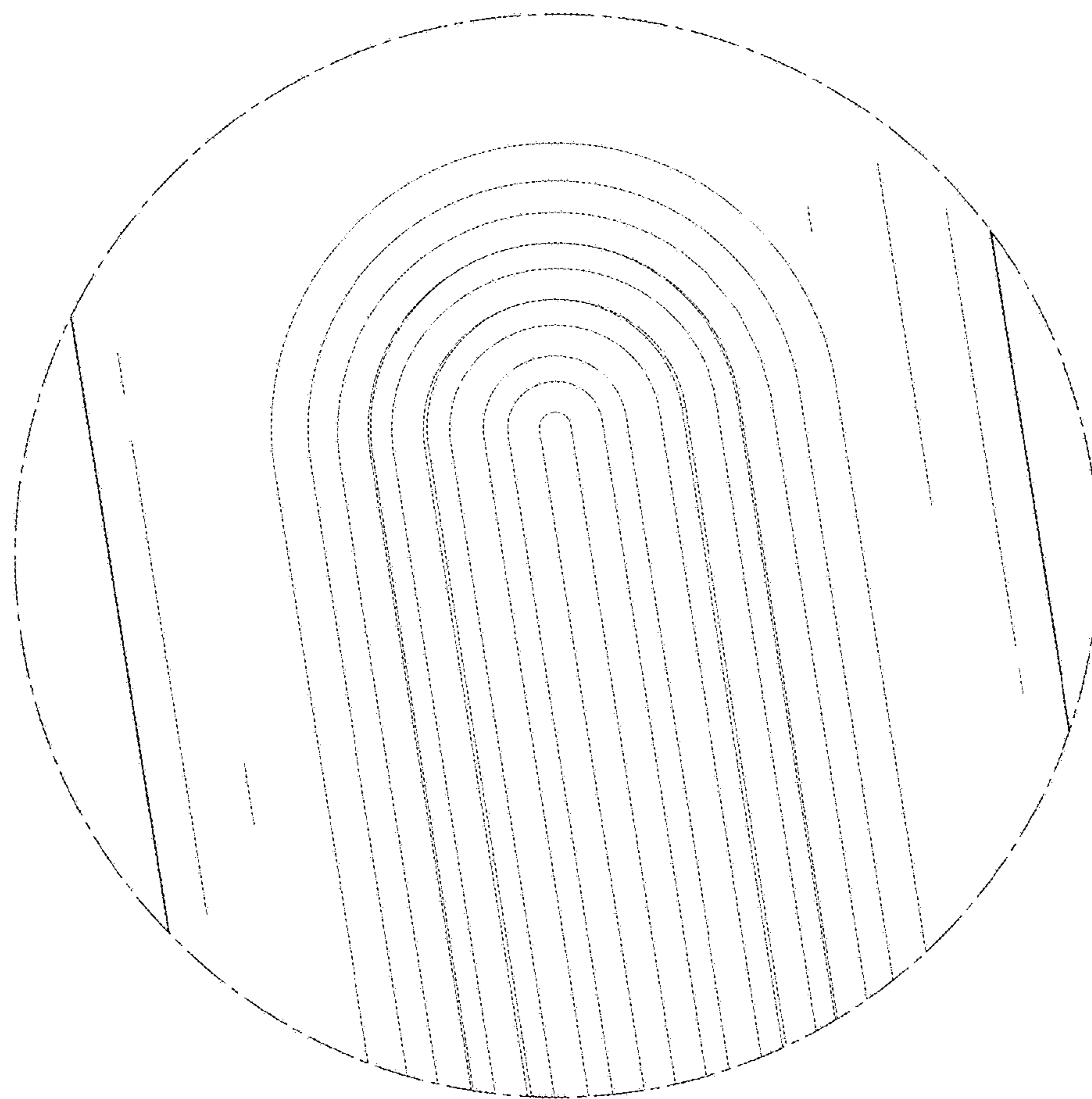


FIG. 14