

US00D852970S

(12) **United States Design Patent**
Goodman

(10) **Patent No.:** **US D852,970 S**
(45) **Date of Patent:** **** Jul. 2, 2019**

(54) **SEXUAL STIMULATION CONTROL BOX**

5,800,458 A * 9/1998 Wingrove A61N 1/08
607/2

(71) Applicant: **Charles A. Goodman**, Nassau (BS)

D474,491 S * 5/2003 Kim D13/164

(72) Inventor: **Charles A. Goodman**, Nassau (BS)

D669,993 S * 10/2012 Merchant D24/170

D758,324 S * 6/2016 Kiyoi D13/162

(Continued)

(**) Term: **15 Years**

OTHER PUBLICATIONS

(21) Appl. No.: **29/635,133**

ES0064, google image, prior to Jan. 29, 2018, 1 pg.; https://www.google.com/search?q=stimulation++control+box&hl=en&biw=1536&bih=813&source=Int&tbs=cdr%3A1%2Ccd_min%3A%2Ccd_max%3A1%2F29%2F2018&tbm=isch#imgdii=n8_erOxsB-NL7M:&imgcr=alDGeFnX0wMILM:&spf=1554824608981.*

(22) Filed: **Jan. 29, 2018**

(51) **LOC (11) Cl.** **28-03**

(52) **U.S. Cl.**

USPC **D24/200**; D13/164

(58) **Field of Classification Search**

USPC D13/123, 124, 158, 162, 164, 184;
D24/170, 186, 200, 214, 215

CPC A61H 19/00; A61H 19/30; A61H 19/34;

A61H 23/00; A61H 23/0263; A61N 1/08;

A61N 1/32; A61N 1/36; A61N 1/3603;

H05K 5/00; H05K 7/00; H05K 7/1481

See application file for complete search history.

Primary Examiner — Selina Sikder

(74) *Attorney, Agent, or Firm* — The Rapacke Law Group, PA.

(57)

CLAIM

The ornamental design for a sexual stimulation control box, as shown and described.

(56) **References Cited**

DESCRIPTION

U.S. PATENT DOCUMENTS

3,055,372 A * 9/1962 Browner A61N 1/36014
607/71

D211,840 S * 7/1968 Levenze et al. D24/200

D213,372 S * 2/1969 Gross D13/162

D229,111 S * 11/1973 Avery D24/200

D232,778 S * 9/1974 Hagen et al. D24/107

4,759,368 A * 7/1988 Spanton A61N 1/36021
607/46

4,895,154 A * 1/1990 Bartelt A61N 1/326
607/50

D306,647 S * 3/1990 Plummer D24/215

4,989,605 A * 2/1991 Rossen A61N 1/36021
128/907

D352,358 S * 11/1994 Yan D24/170

5,397,338 A * 3/1995 Grey A61N 1/36021
607/115

5,542,907 A * 8/1996 Chou A61H 23/0263
601/46

5,571,118 A * 11/1996 Boutos A61H 19/34
607/138

FIG. 1 is a bottom perspective view of the sexual stimulation control box showing the new design;

FIG. 2 is a top plan view of the sexual stimulation control box thereof;

FIG. 3 is a bottom plan view of the sexual stimulation control box thereof;

FIG. 4 is a left side elevational view of the sexual stimulation control box thereof;

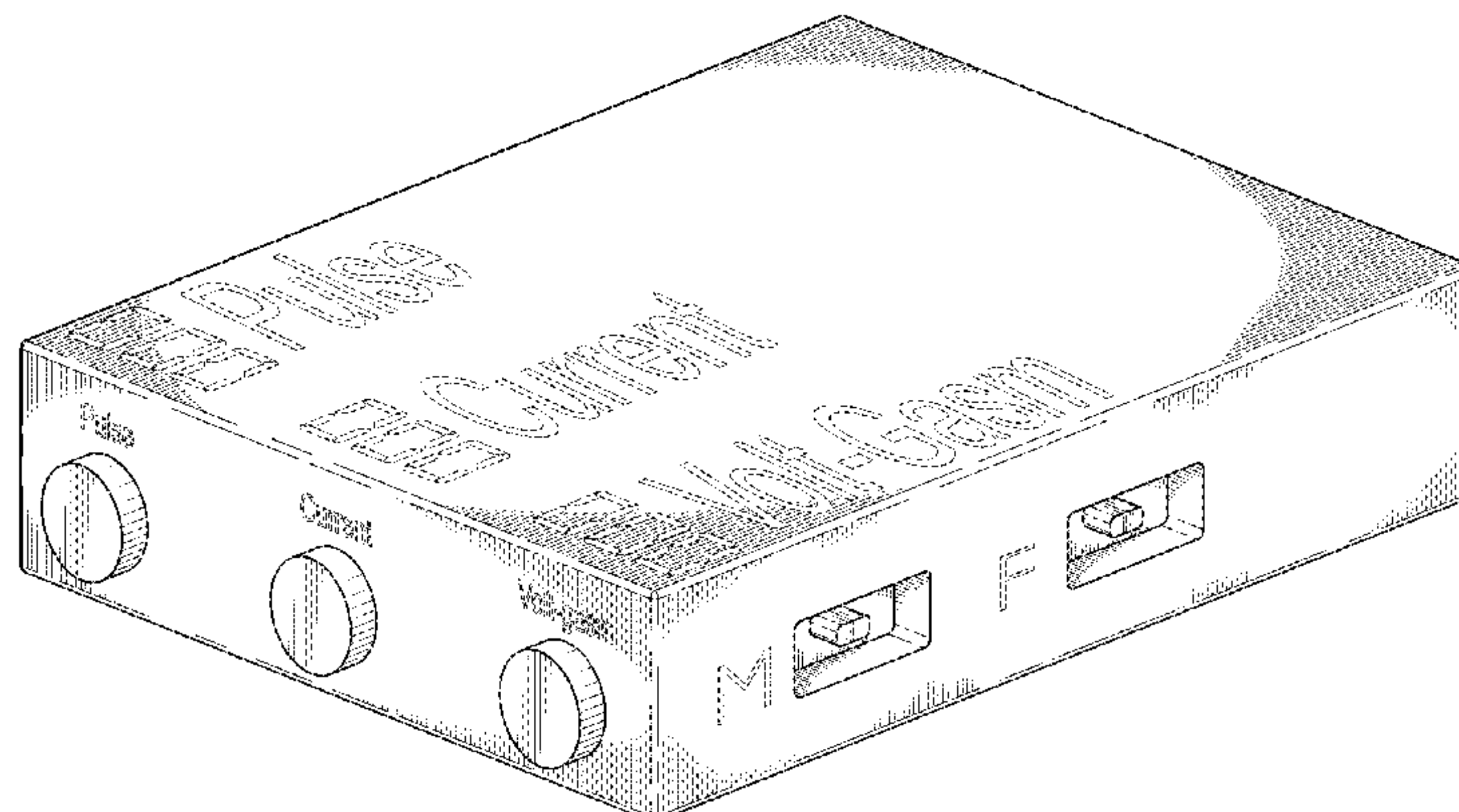
FIG. 5 is a right side elevational view of the sexual stimulation control box thereof;

FIG. 6 is a front elevational view of the sexual stimulation control box thereof; and,

FIG. 7 is a rear elevation view of the sexual stimulation control box thereof.

The broken lines shown in the drawings are for illustrative purposes only and forms no part of the claimed design.

1 Claim, 5 Drawing Sheets



(56)

References Cited

U.S. PATENT DOCUMENTS

D758,590 S * 6/2016 Burachynsky D24/170
2004/0267331 A1* 12/2004 Koeneman A61H 1/02
607/49
2013/0012769 A1* 1/2013 Carlson A61H 9/0071
600/38

* cited by examiner

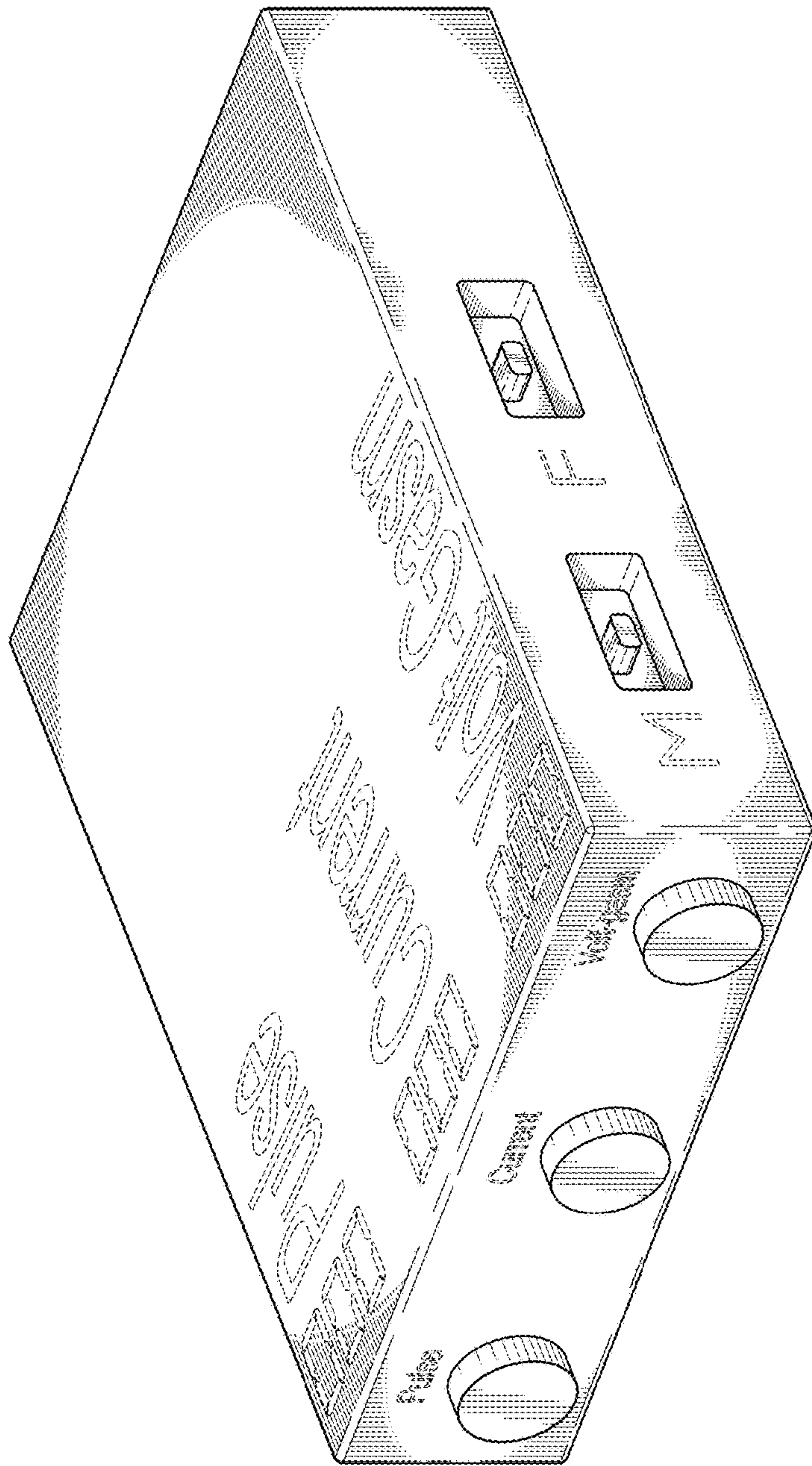


FIG. 1

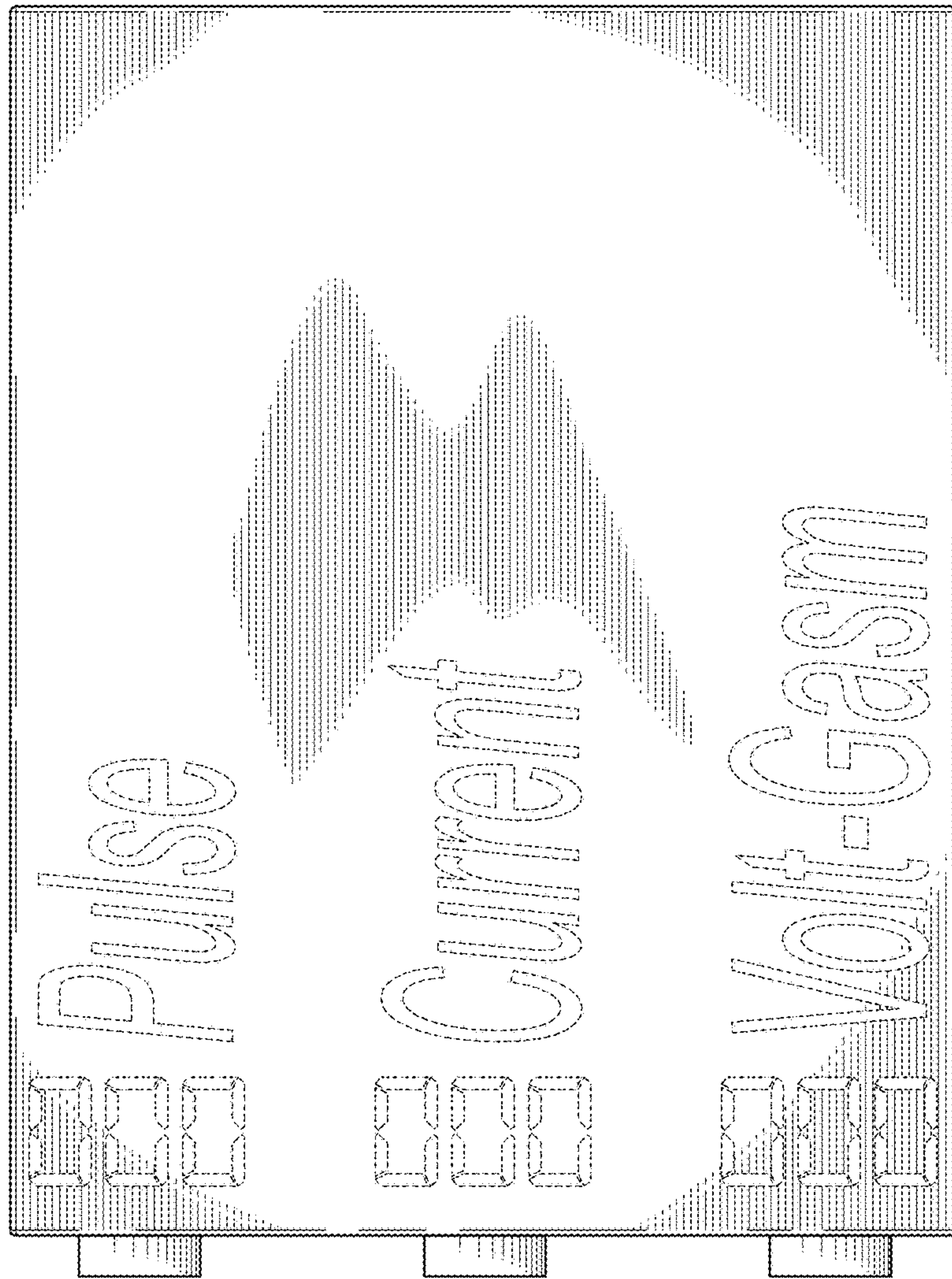


FIG. 2

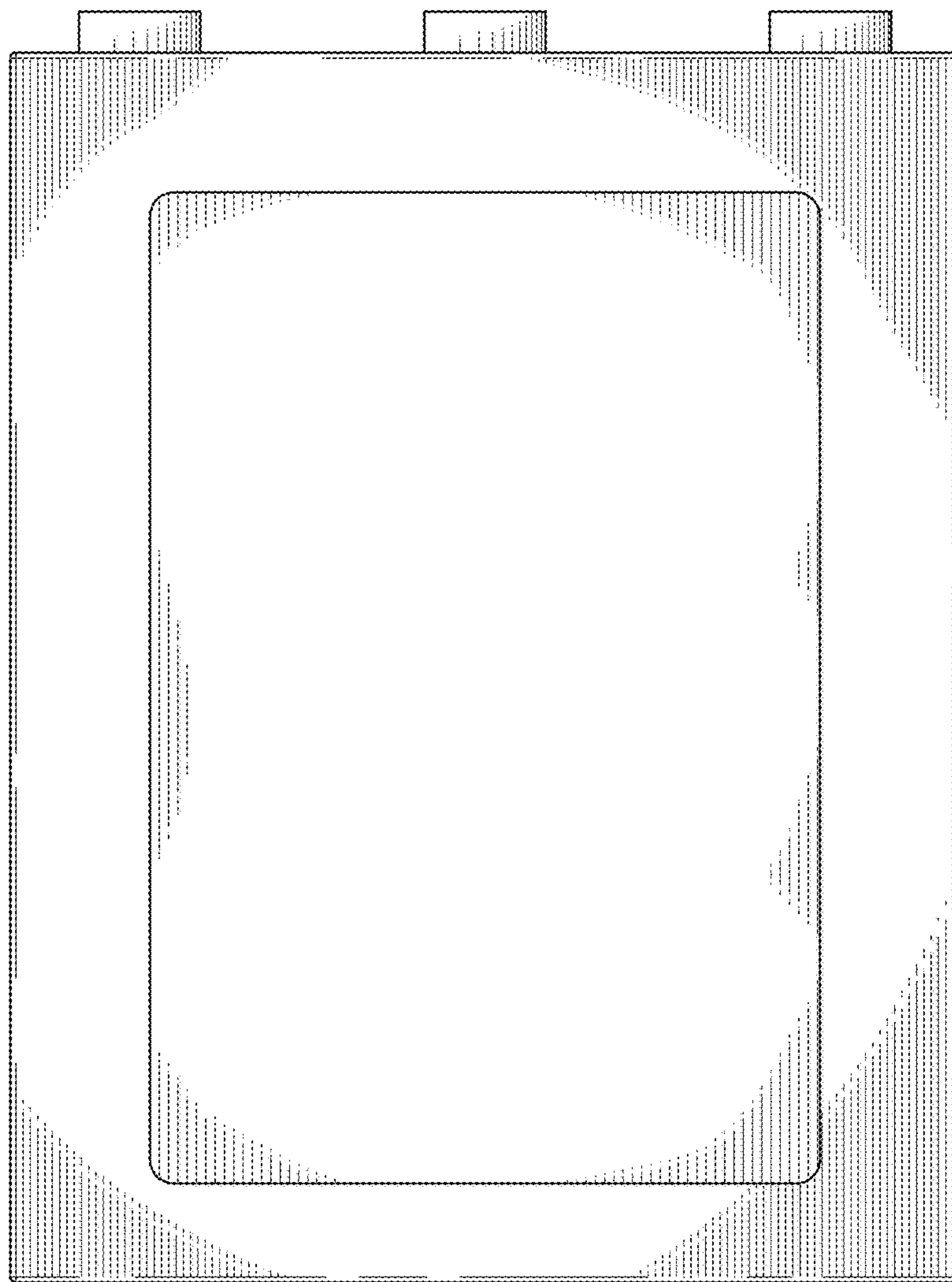


FIG. 3

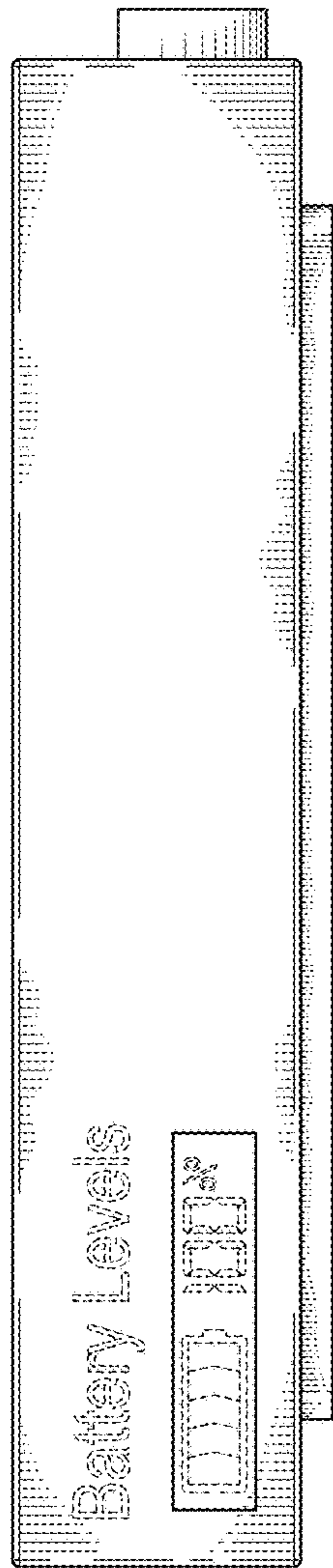


FIG. 4

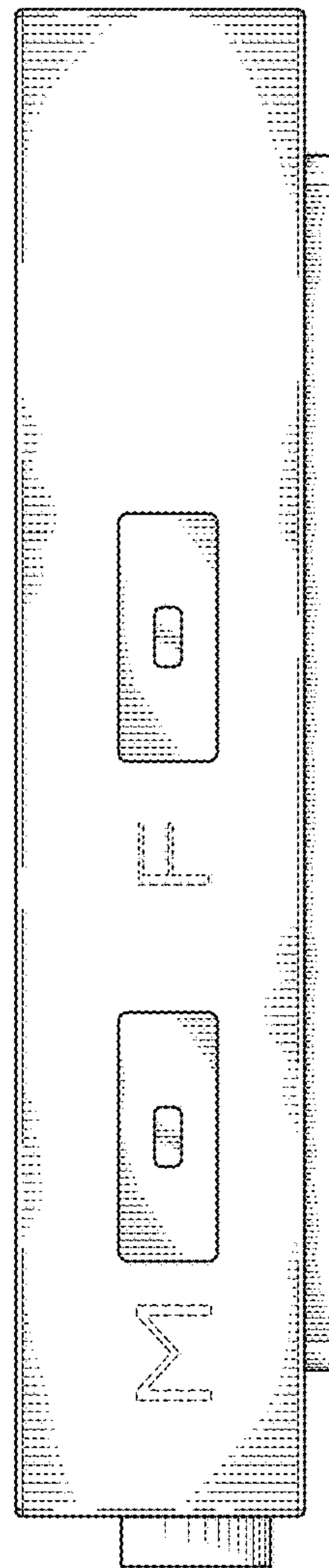


FIG. 5

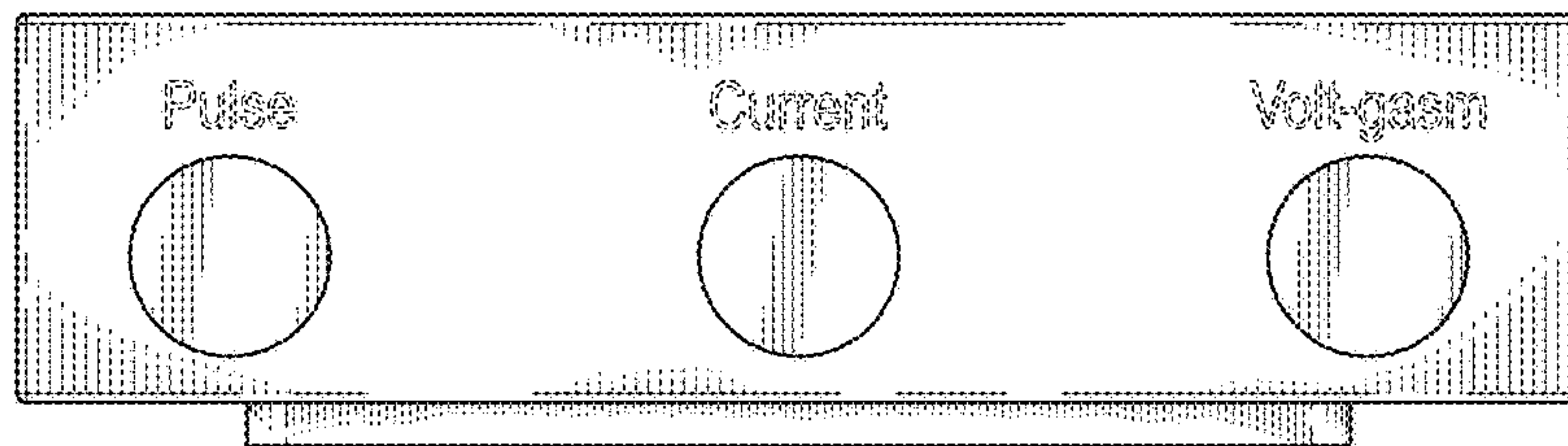


FIG. 6

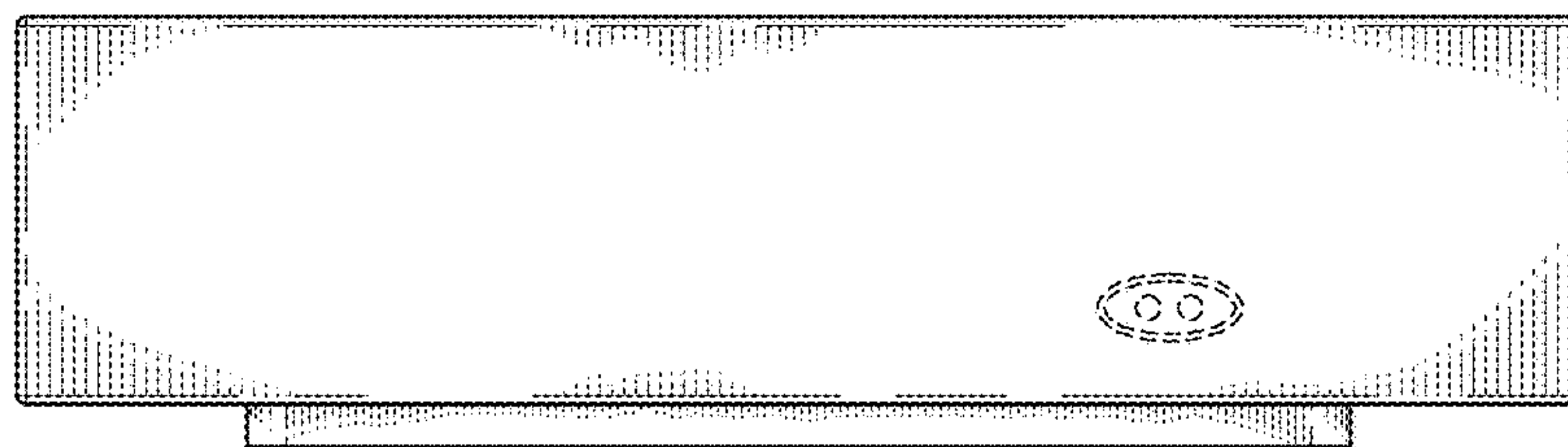


FIG. 7