



US00D852968S

(12) **United States Design Patent**
Luntz et al.

(10) **Patent No.:** **US D852,968 S**
(45) **Date of Patent:** **** Jul. 2, 2019**

- (54) **TEETHER**
- (71) Applicants: **Dean Luntz**, Boca Raton, FL (US);
Jessica Luntz, Boca Raton, FL (US)
- (72) Inventors: **Dean Luntz**, Boca Raton, FL (US);
Jessica Luntz, Boca Raton, FL (US)
- (73) Assignee: **BABBALA LLC**, Boca Raton, FL (US)
- (**) Term: **15 Years**
- (21) Appl. No.: **29/614,925**
- (22) Filed: **Aug. 24, 2017**

Related U.S. Application Data

- (63) Continuation-in-part of application No. 29/574,220,
filed on Aug. 12, 2016, now Pat. No. Des. 817,505.
- (51) **LOC (11) Cl.** **24-04**
- (52) **U.S. Cl.**
USPC **D24/194**
- (58) **Field of Classification Search**
USPC D24/193, 194, 195, 214; D1/101, 104,
D1/106, 113, 115, 125, 199; D21/483,
D21/490, 496, 576, 588, 603, 609, 628,
D21/650, 684; D30/160; 606/235
CPC A61J 17/00; A61J 17/02
See application file for complete search history.

(56) **References Cited**

U.S. PATENT DOCUMENTS

- D191,469 S * 10/1961 Lewis D32/5
- 3,292,840 A * 12/1966 Schmidt B65D 11/02
206/776
- 4,124,135 A * 11/1978 Weder B65D 1/00
220/4.21
- D276,705 S * 12/1984 Oliveri D10/40
- D331,783 S * 12/1992 Rodriguez D21/406
- D391,643 S * 3/1998 Fletcher D24/195

- D408,921 S * 4/1999 Wexler D24/194
- D592,064 S * 5/2009 Kilany D9/519
- D608,160 S * 1/2010 Colbert D7/628
- D608,826 S * 1/2010 Laguatan D19/182
- D628,301 S * 11/2010 Olshansky D24/194
- D631,204 S * 1/2011 Dubitsky D28/82
- D651,863 S * 1/2012 Ehrenhaus D7/628
- D692,717 S * 11/2013 Lai D7/354
- 8,651,308 B1 * 2/2014 Sung A45D 40/00
206/457
- D730,192 S * 5/2015 Zwettler D9/428
- D775,426 S * 12/2016 Huff D28/87

(Continued)

OTHER PUBLICATIONS

“The Teething Egg on Instagram”. Found online Apr. 18, 2017 at
instagram.com. Page dated Dec. 2, 2015. Retrieved from https://
www.instagram.com/p/-z28iTmJ8V/.*

(Continued)

Primary Examiner — George D. Kirschbaum
Assistant Examiner — Kendra Leslie Hamilton
(74) *Attorney, Agent, or Firm* — Dunlap Bennett &
Ludwig PLLC

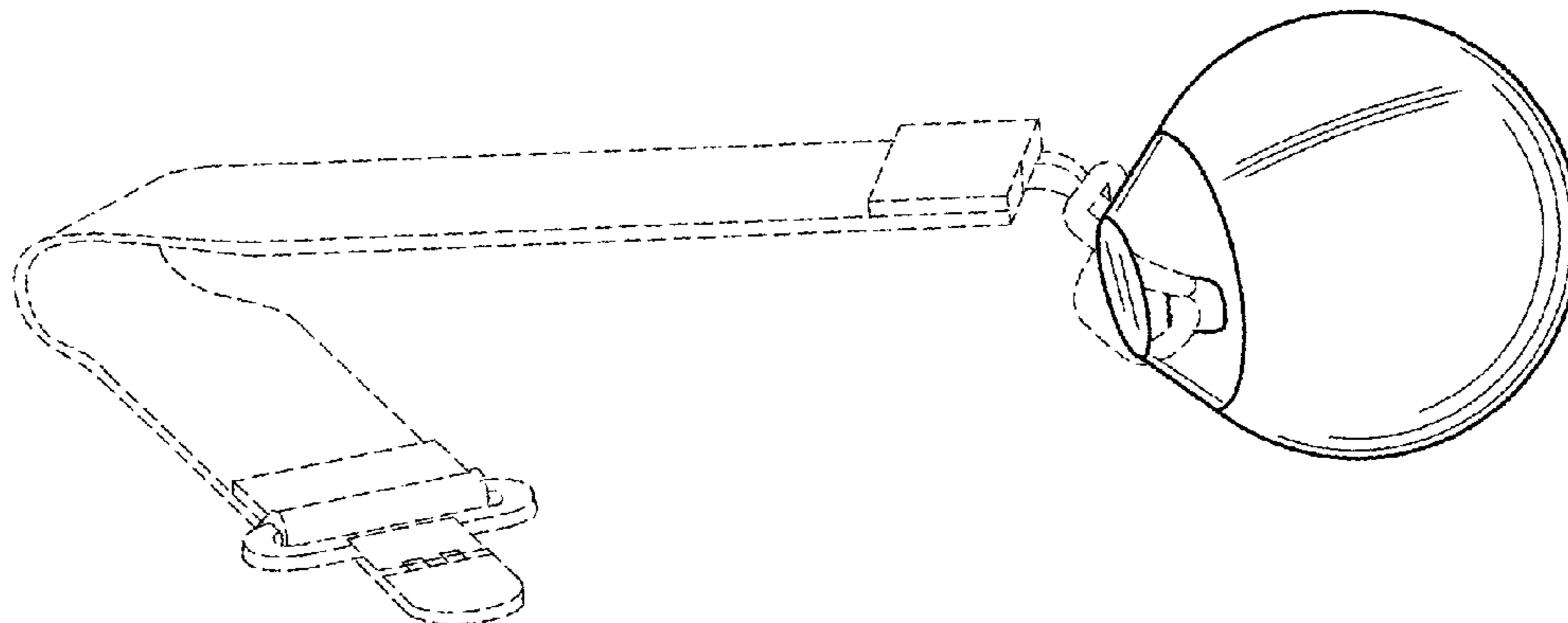
(57) **CLAIM**

The ornamental design for a teether, as shown and described.

DESCRIPTION

FIG. 1 is a perspective view of a teether showing our new
design;
FIG. 2 is a front elevation view thereof;
FIG. 3 is a rear elevation view thereof;
FIG. 4 is a left side elevation view thereof;
FIG. 5 is a top plan view thereof;
FIG. 6 is a right side elevation thereof; and,
FIG. 7 is a bottom plan view thereof.
The broken lines shown in the drawings illustrate portions of
the teether that form no part of the claimed design.

1 Claim, 3 Drawing Sheets



(56)

References Cited

U.S. PATENT DOCUMENTS

D779,137	S	*	2/2017	Taylor	D32/1
D787,842	S	*	5/2017	Lenton	D6/334
D797,829	S	*	9/2017	Lv	D14/154
D814,542	S	*	4/2018	Iijima	D15/199
D817,505	S	*	5/2018	Luntz	D24/195
10,039,366	B1	*	8/2018	Facer	A45D 40/24
2003/0046798	A1	*	3/2003	Valles Camps	A61G 17/08 27/1

OTHER PUBLICATIONS

“Nordic Ware Microwave Egg Boiler”. Found online Apr. 18, 2017 at amazon.com. Page dated Oct. 2, 2001. Retrieved from https://www.amazon.com/Nordic-Ware-Microwave-Egg-Boiler/dp/B0007M2BN0/ref=sr_1_26?ie=UTF8&qid=1492547721&sr=8-26&keywords=egg.*

“TinkerLAB Rolled Wooden Eggs”. Found online Apr. 26, 2017 at tinkerlab.com. Page dated Apr. 18, 2011. Retrieved from <http://tinkerlab.com/rolled-wooden-eggs/>.*

“Crayola: My First Crayola Scribbled Egg Crayons”. Found online Apr. 18, 2017 at amazon.com. Page dated Apr. 3, 2014. Retrieved from https://www.amazon.com/Crayola-Scribbled-Crayons-Easy-Grip-1-Pack/dp/B00FY2P7KC/ref=cm_cr_arp_d_product_top?ie=UTF8.*

* cited by examiner

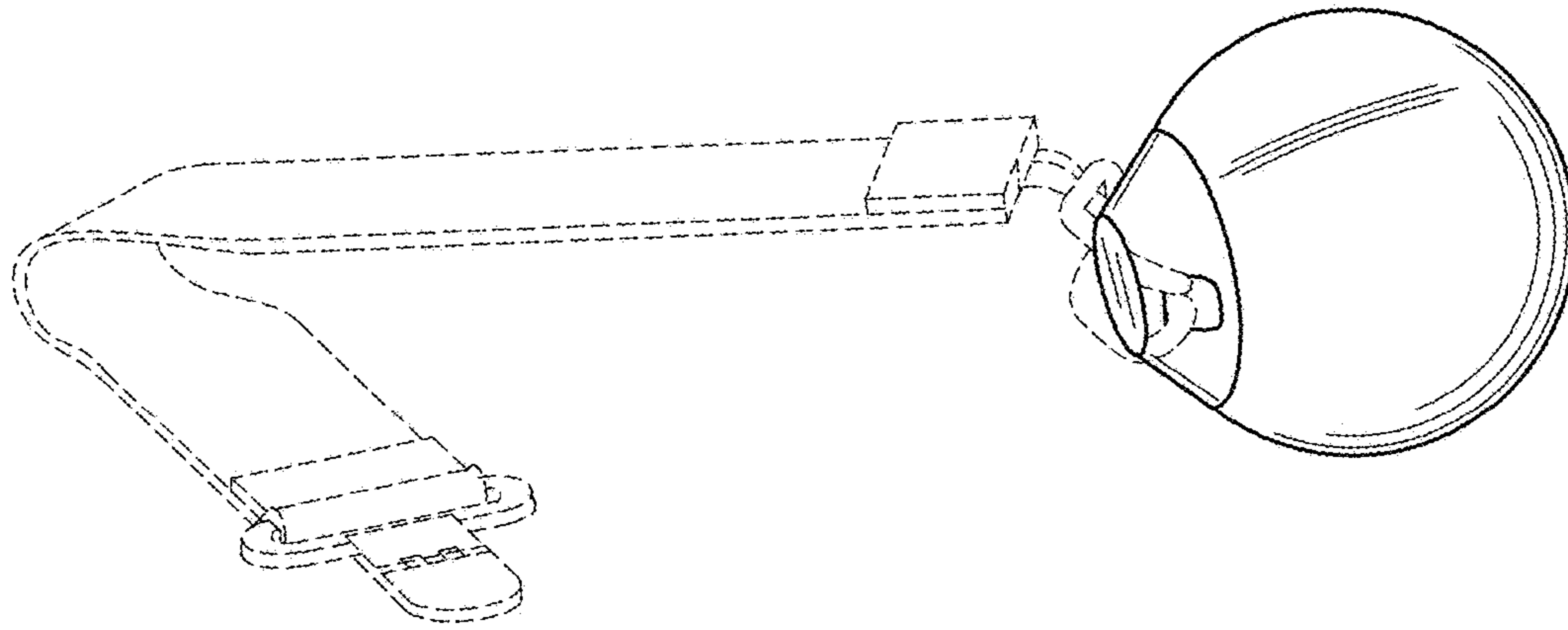


Fig. 1

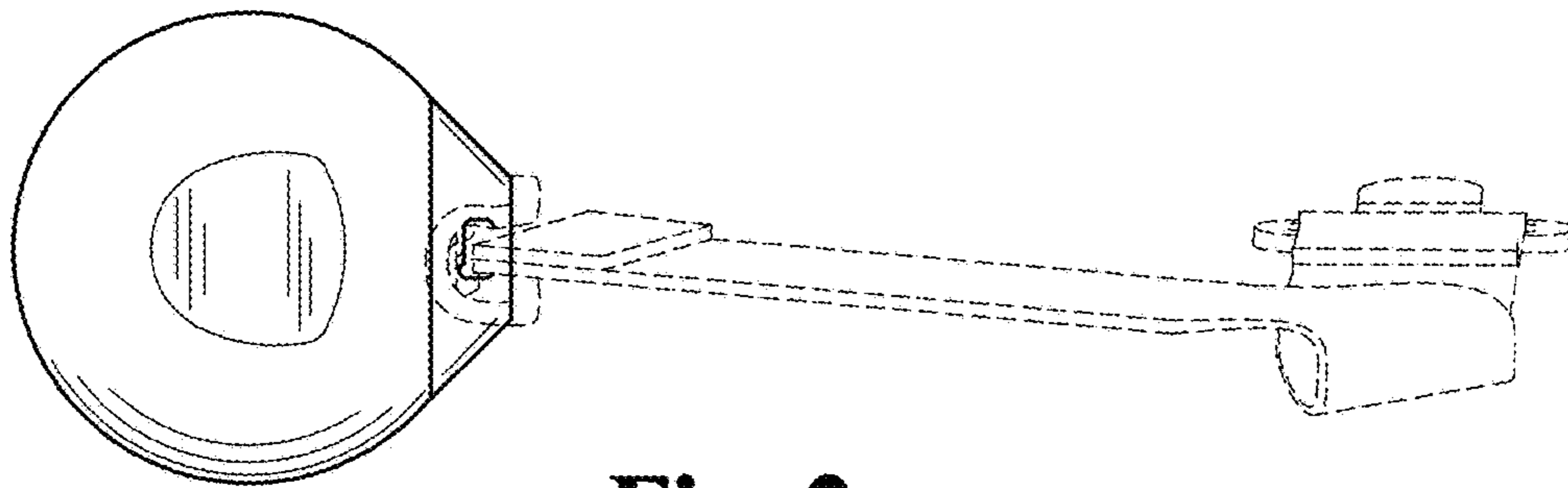


Fig. 2

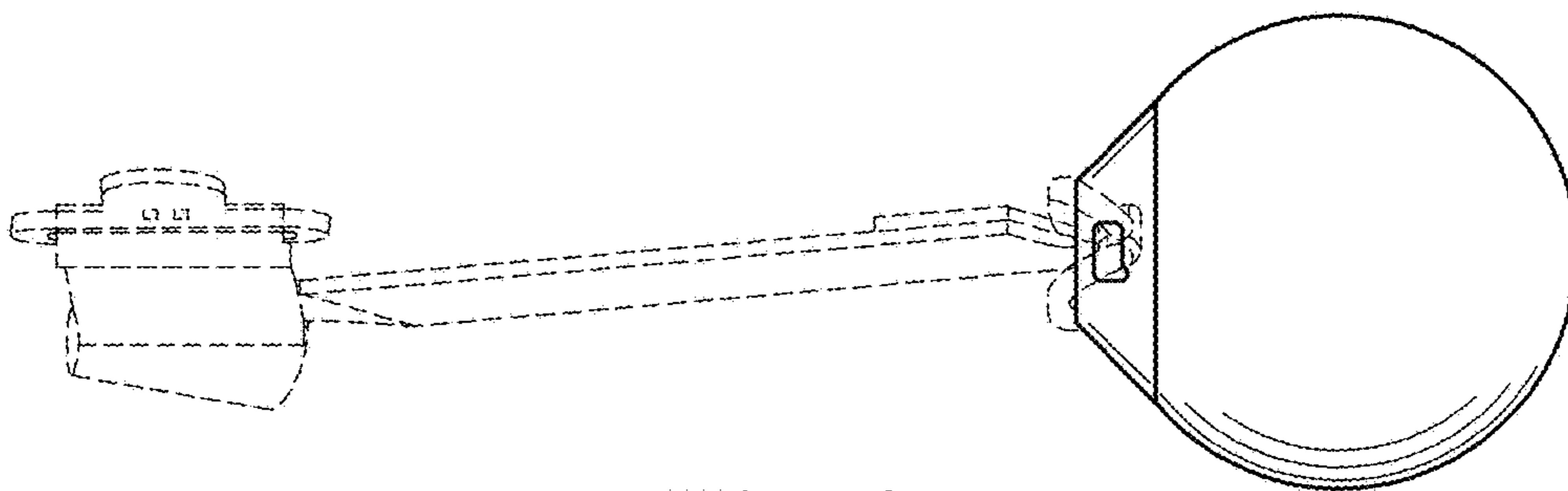


Fig. 3

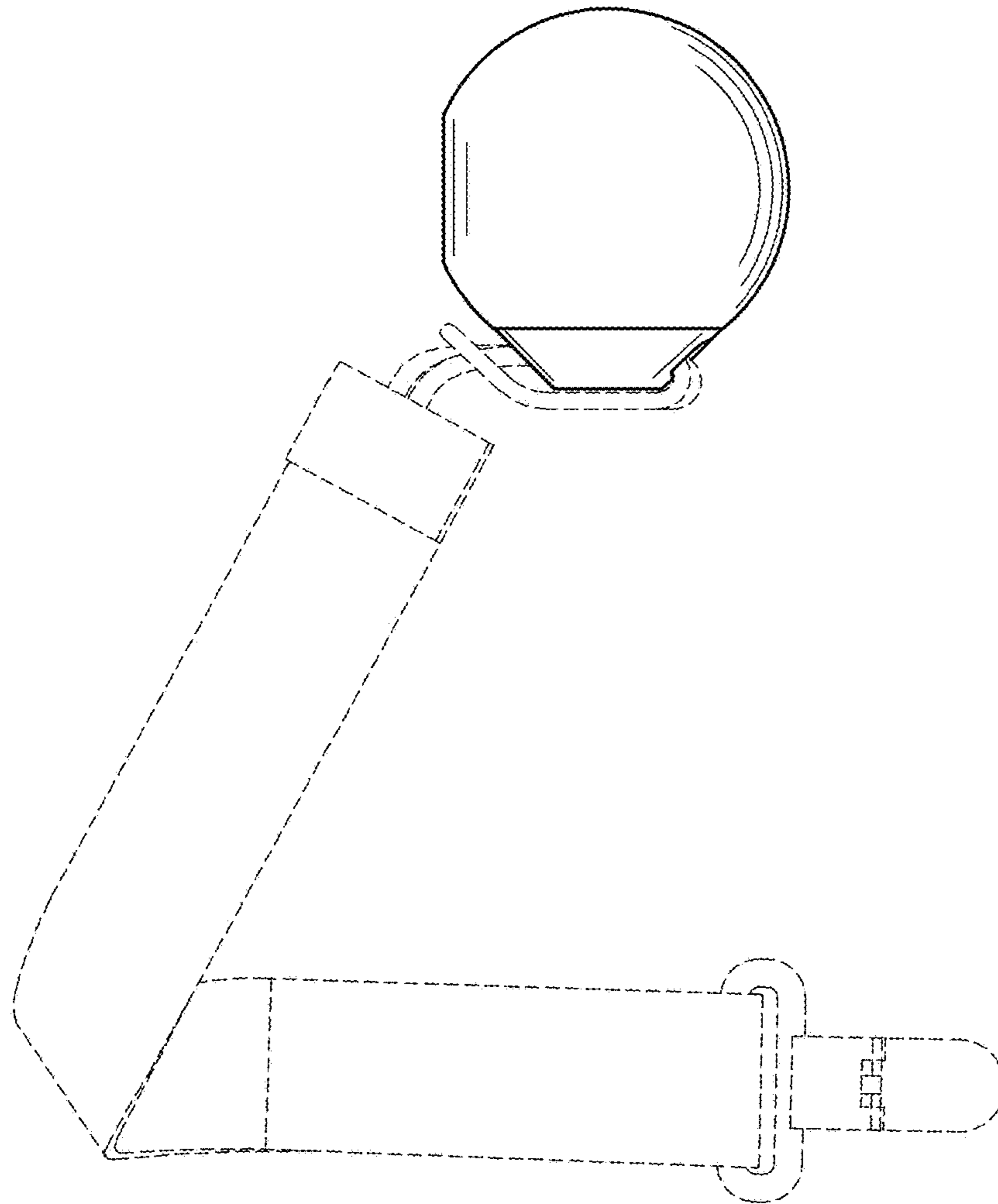


Fig. 4

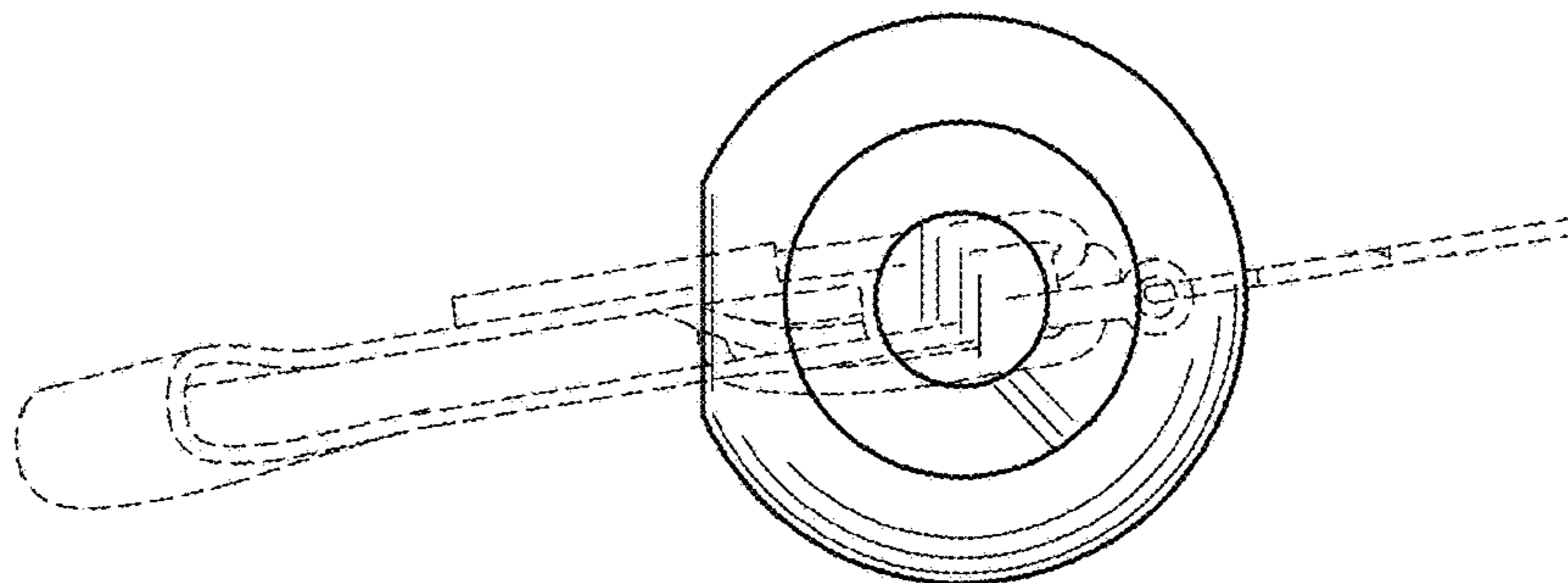


Fig. 5

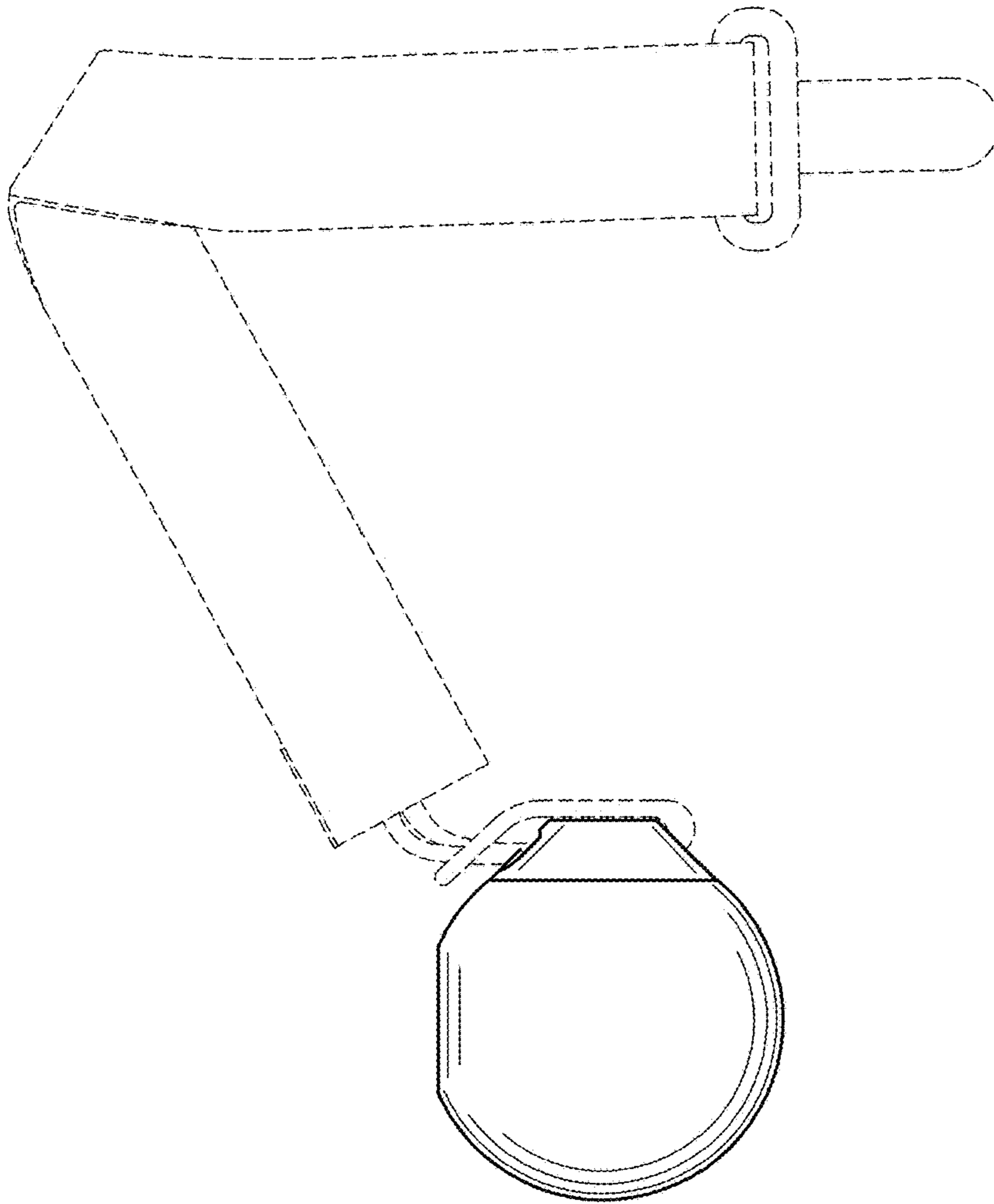


Fig. 6

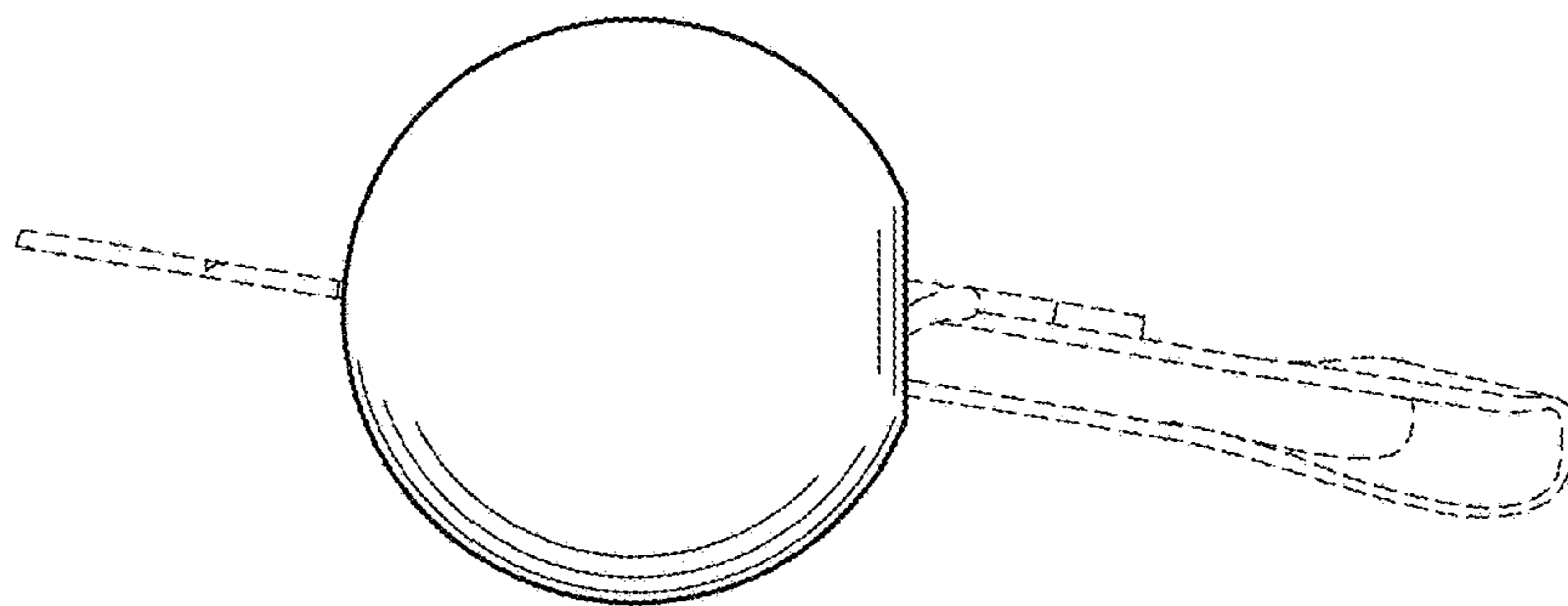


Fig. 7