



US00D852967S

(12) **United States Design Patent**
Wilson

(10) **Patent No.:** **US D852,967 S**

(45) **Date of Patent:** **** Jul. 2, 2019**

(54) **BABY BOTTLE HOLDER**

(71) Applicant: **Allan Wilson**, Buckie (GB)

(72) Inventor: **Allan Wilson**, Buckie (GB)

(**) Term: **15 Years**

(21) Appl. No.: **29/591,879**

(22) Filed: **Jan. 25, 2017**

(30) **Foreign Application Priority Data**

Jul. 25, 2016 (EM) 003318757
Oct. 4, 2016 (EM) 003404771

(51) **LOC (11) Cl.** **24-04**

(52) **U.S. Cl.**
USPC **D24/194**; D24/199

(58) **Field of Classification Search**
USPC D24/117, 193, 194, 195, 196, 199;
D12/411; D9/455; D8/394; D7/619.1,
D7/622; D6/512
CPC A61J 9/0638; A61J 9/0661; A61J 9/0684;
A61J 9/0692
See application file for complete search history.

(56) **References Cited**

U.S. PATENT DOCUMENTS

1,786,459 A * 12/1930 Burdick A61J 9/0692
248/104
D326,524 S * 5/1992 Lawal D24/199
D345,423 S * 3/1994 Sabalones D24/199
D353,675 S * 12/1994 Borneman D24/199
D356,379 S * 3/1995 Ibinger D24/199
D367,254 S * 2/1996 Lince D12/411
D369,413 S * 4/1996 Lodewyck, Jr. D24/199
D381,082 S * 7/1997 Starner D24/155
D404,132 S * 1/1999 Hart D24/199
D438,626 S * 3/2001 Broussard D24/199
D451,201 S * 11/2001 Maypa D24/199
D454,957 S * 3/2002 Colby D24/199

D462,775 S * 9/2002 Minor D24/199
D505,328 S * 5/2005 Chou D9/455
D547,578 S * 7/2007 Johannsen D6/512
D559,989 S * 1/2008 Martinelli D24/199
D573,415 S * 7/2008 Van Slycke D7/622
7,472,871 B1 * 1/2009 Demontegnac A61J 9/0692
248/102
D596,747 S * 7/2009 Freeland D24/199
D607,115 S * 12/2009 Bellamy-Noseworthy
D24/199
D628,703 S * 12/2010 Rodriguez D24/199
D635,407 S * 4/2011 Ceder D7/622

(Continued)

OTHER PUBLICATIONS

“Hoova Hands Free Baby Bottle Holder.” Found online Sep. 26, 2018 at [www.amazon.com](https://www.amazon.com/Hoova-Bottle-Holder-Stroller-Attachment/dp/B01DOSANUQ). Page dated Aug. 9, 2016. Retrieved from URL: <https://www.amazon.com/Hoova-Bottle-Holder-Stroller-Attachment/dp/B01DOSANUQ> (Year: 2016).*

(Continued)

Primary Examiner — Garth Rademaker
Assistant Examiner — Katelin G Kloberg
(74) *Attorney, Agent, or Firm* — King & Schickli, PLLC

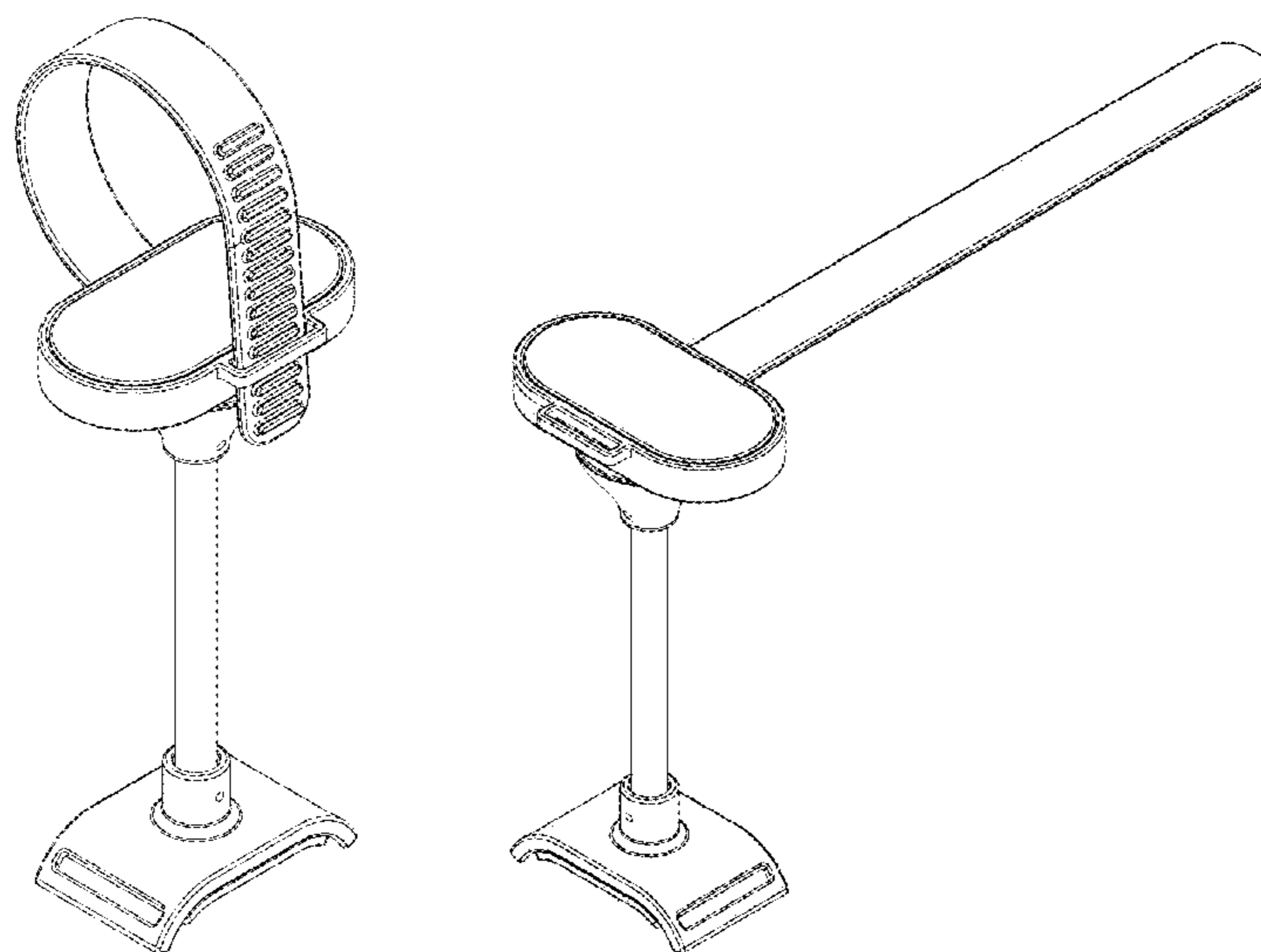
(57) **CLAIM**

The ornamental design for a baby bottle holder, as shown and described.

DESCRIPTION

FIG. 1 is a perspective view of the design in a first configuration;
FIG. 2 is a perspective view of the design in a second configuration;
FIG. 3 is a front view of the design;
FIG. 4 is a right side view of the design;
FIG. 5 is a left side view of the design;
FIG. 6 is a top view of the design; and,
FIG. 7 is a bottom view of the design.

1 Claim, 7 Drawing Sheets



(56)

References Cited

U.S. PATENT DOCUMENTS

D700,971 S * 3/2014 Alvarado D24/199
D770,236 S * 11/2016 Pattipati D7/619.1
D777,020 S * 1/2017 Zlatic D8/394
2011/0315832 A1* 12/2011 Box A61J 9/0692
248/103

OTHER PUBLICATIONS

“YouTube—Momfeed.” Found online Sep. 26, 2018 at www.youtube.com. Video published Nov. 29, 2011. Retrieved from URL: <https://www.youtube.com/watch?v=bKzNMPvPnMQ> (Year: 2011).*

* cited by examiner

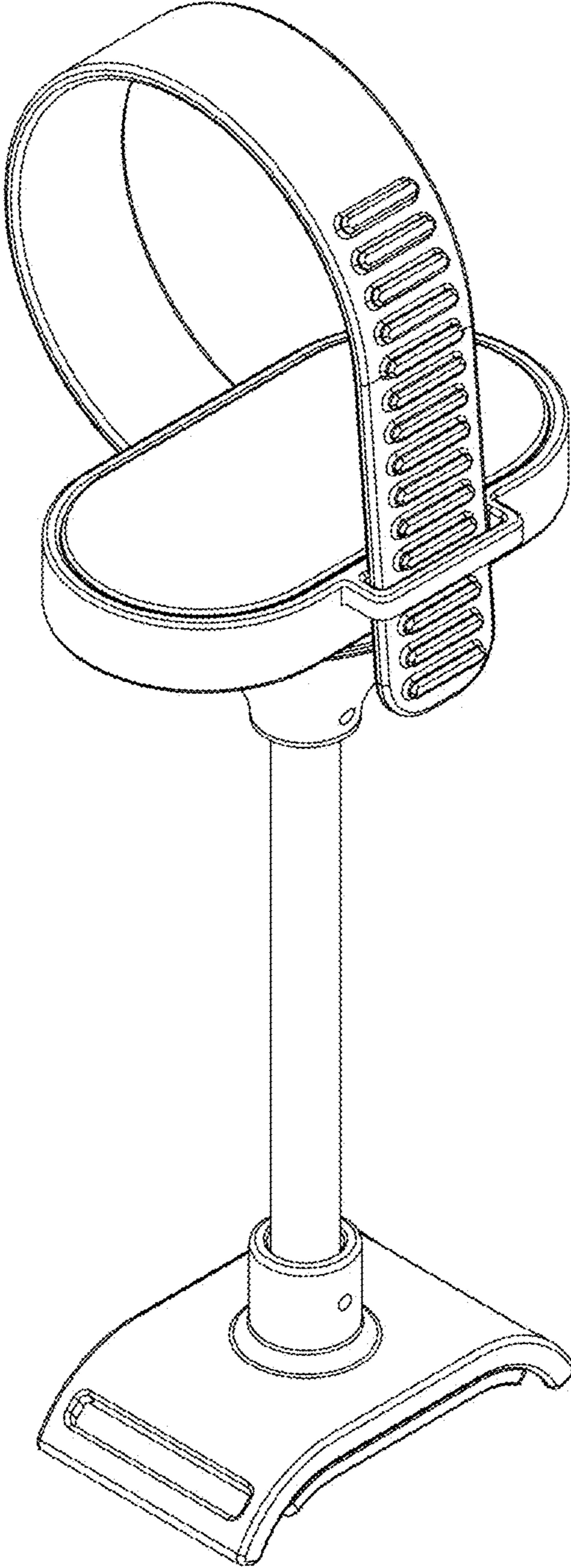


Fig. 1

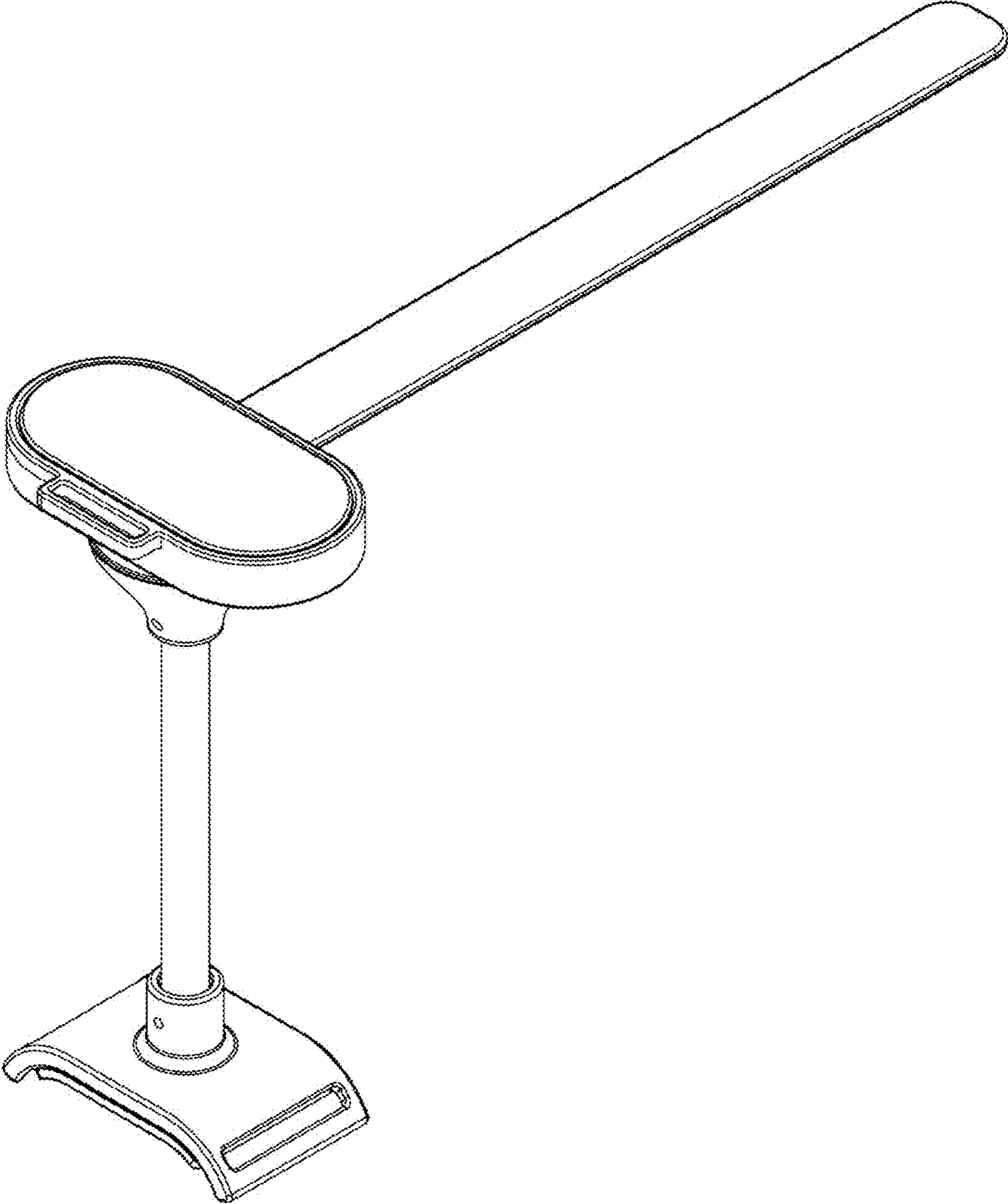


Fig. 2

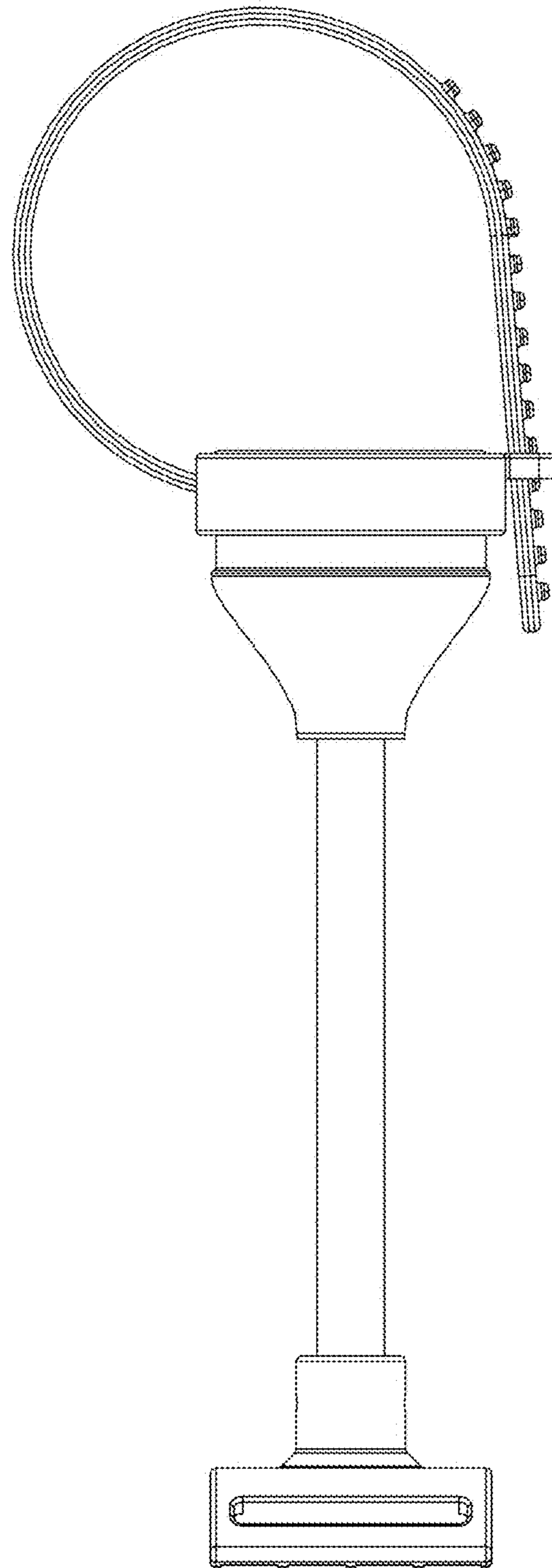


Fig. 3

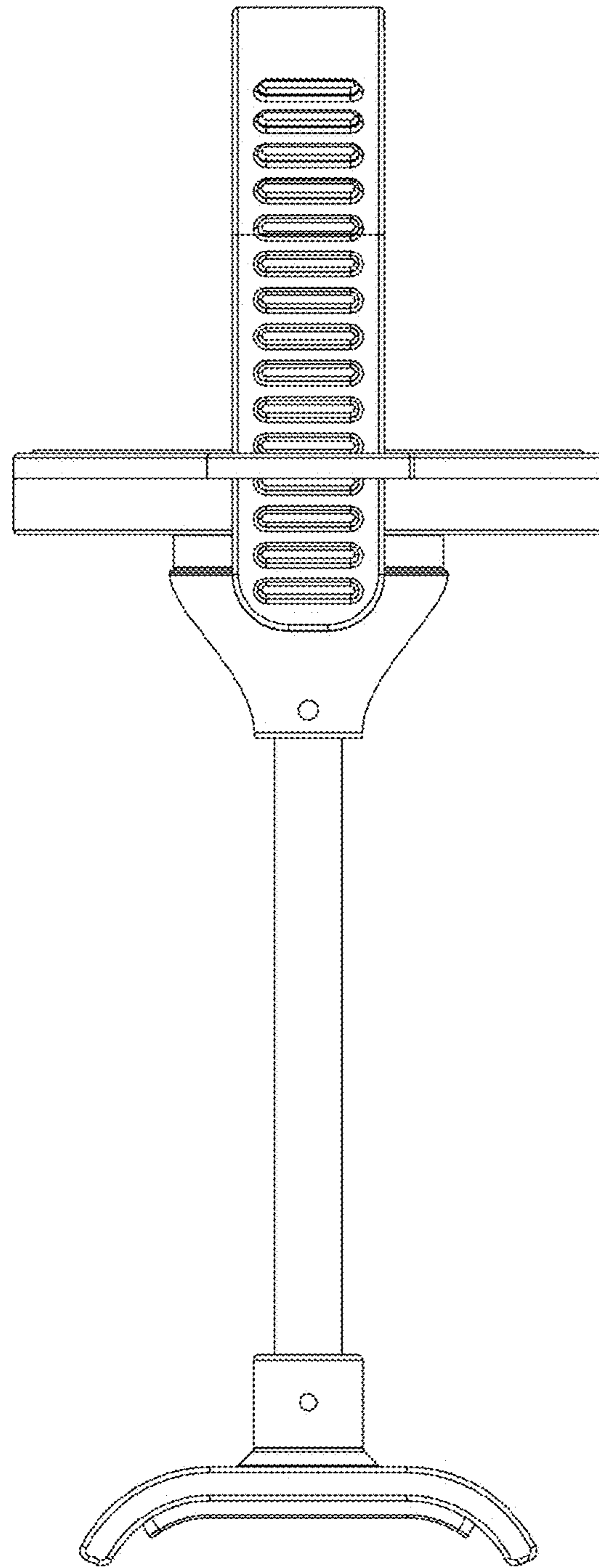


Fig. 4

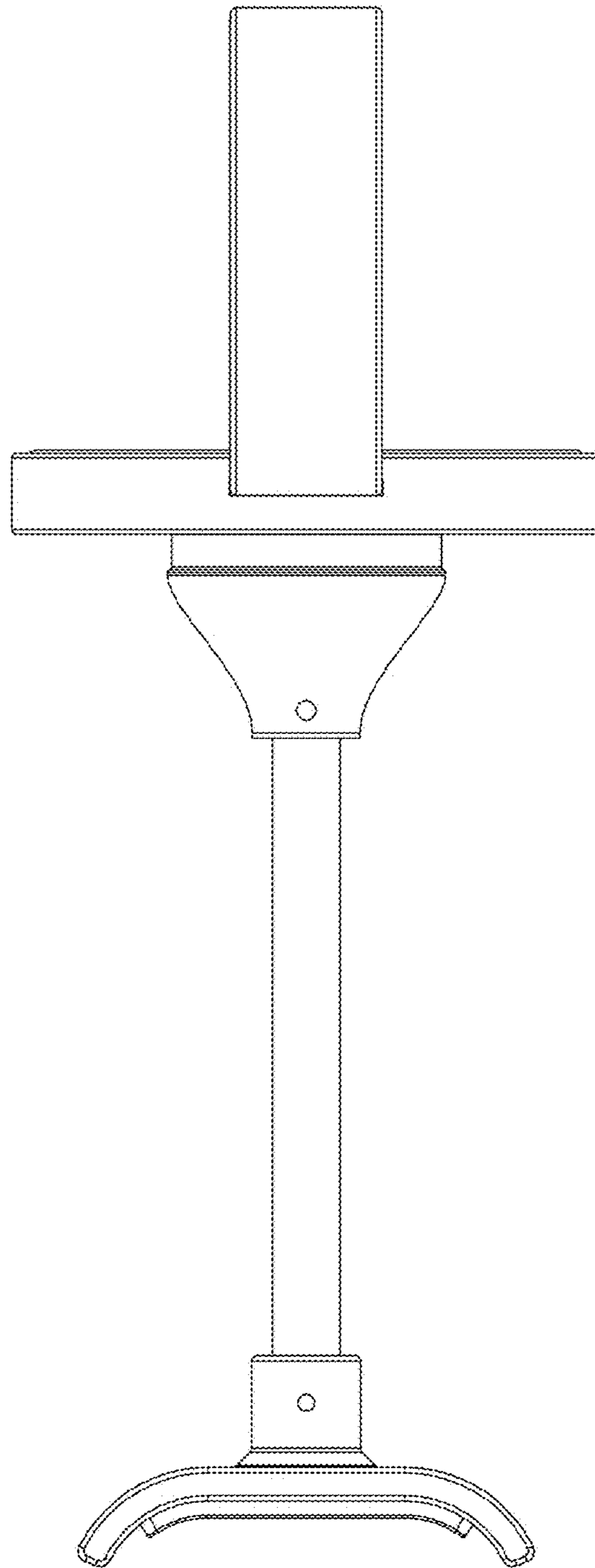


Fig. 5

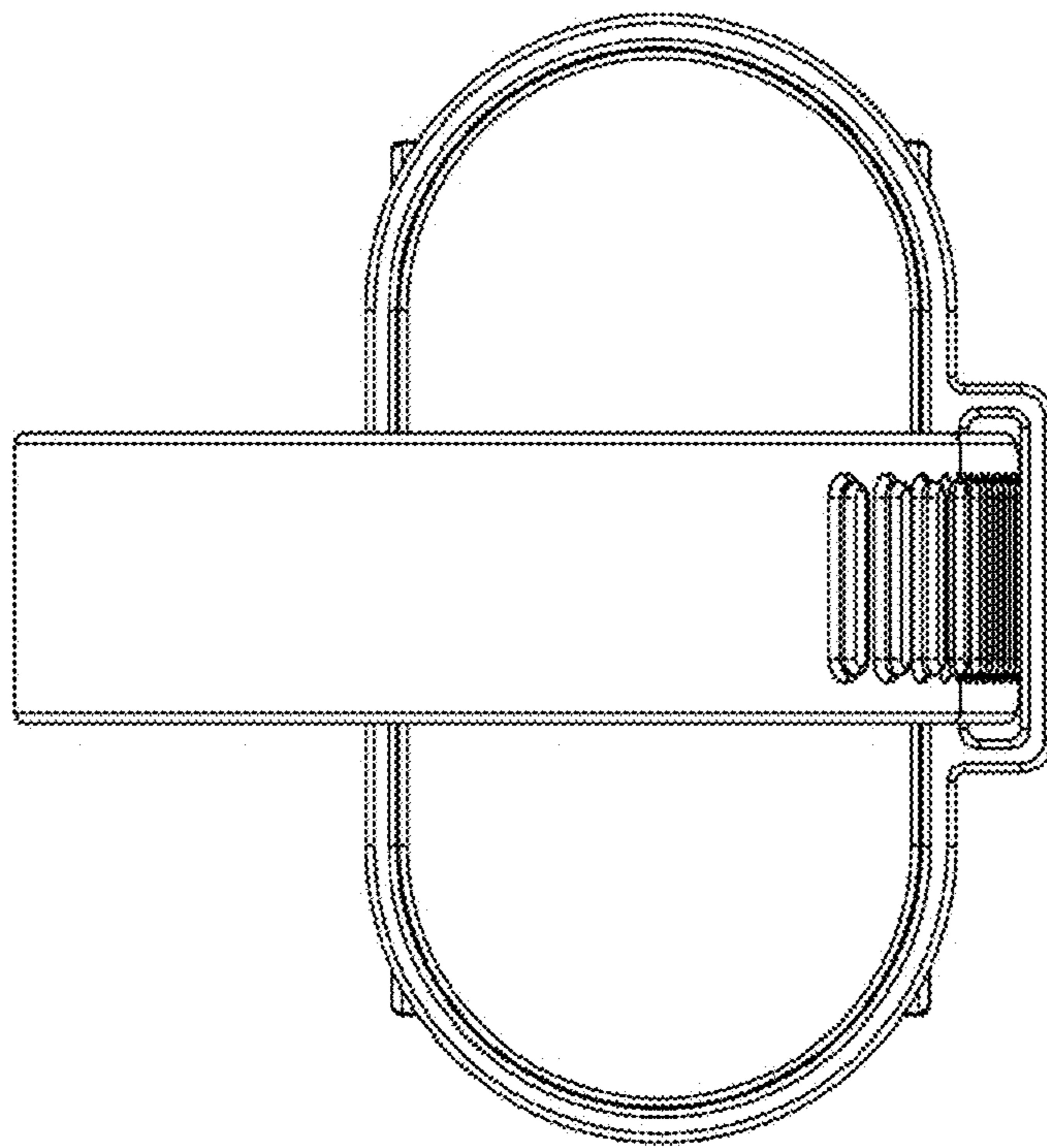


Fig. 6

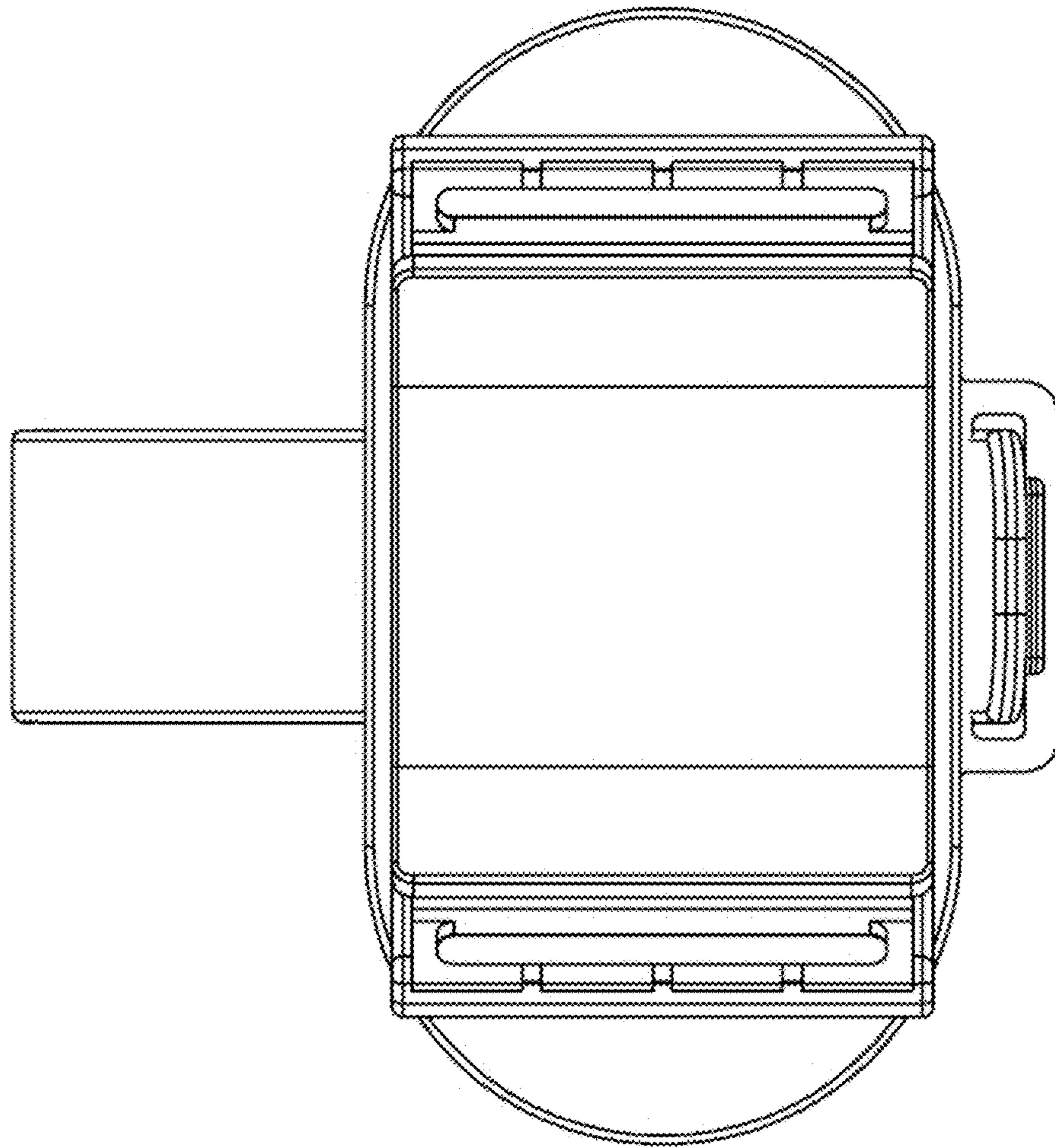


Fig. 7