



US00D852963S

(12) **United States Design Patent** (10) **Patent No.:** **US D852,963 S**
Shuart et al. (45) **Date of Patent:** **** Jul. 2, 2019**

(54) TISSUE ACQUISITION PLATFORM	D411,678 S * 6/1999 Di Paolo D34/20
	D468,420 S * 1/2003 Bolmsjo D24/107
(71) Applicant: DEVICOR MEDICAL PRODUCTS, INC., Cincinnati, OH (US)	D568,258 S * 5/2008 Adam D13/163
	D642,763 S * 8/2011 Liang D34/14
	8,858,537 B2 * 10/2014 Leimbach A61B 10/0275
	606/1
(72) Inventors: David Shuart, Mason, OH (US); Jodi Hafemeister, Liberty Township, OH (US); Gary Wagner, Independence, KY (US); Rachel Choung, Cincinnati, OH (US); Emmanuel Tanghal, Mason, OH (US); Jordan Rebellino, Cincinnati, OH (US); Umashankar Chockalingam, Loveland, OH (US)	D730,528 S * 5/2015 Yang D24/185
	D767,423 S * 9/2016 Choudhary D10/81
	D768,312 S * 10/2016 Choudhary D24/216
	D787,696 S * 5/2017 Schmieta D24/216
	D808,533 S * 1/2018 Verguldi D24/185
	2001/0035702 A1 * 11/2001 Murphy A61B 12/001
	312/229
	2005/0159784 A1 * 7/2005 Arceta A61G 12/001
	607/20

(73) Assignee: **Devicor Medical Products, Inc.,** Cincinnati, OH (US)

* cited by examiner

(**) Term: **15 Years**

Primary Examiner — Anhdao Doan

Assistant Examiner — Mary Shannon Malley

(21) Appl. No.: **29/576,453**

(74) *Attorney, Agent, or Firm* — Frost Brown Todd LLC

(22) Filed: **Sep. 2, 2016**

(51) **LOC (11) Cl.** **24-01**

(52) **U.S. Cl.**

USPC **D24/185**

(58) **Field of Classification Search**

USPC D24/107–108, 128, 144, 158, 164, 172, D24/185–186, 216, 224, 227, 231–234; D13/163; D10/81

CPC .. A61B 2010/0208; A61B 2017/00796; A61B 50/10; A61B 50/13; A61B 90/17; G01N 27/447; G01N 27/44756; G01N 27/44791

See application file for complete search history.

(56) **References Cited**

U.S. PATENT DOCUMENTS

D332,855 S * 1/1993 Royse D24/185
D389,917 S * 1/1998 Hornback D24/185

(57) **CLAIM**

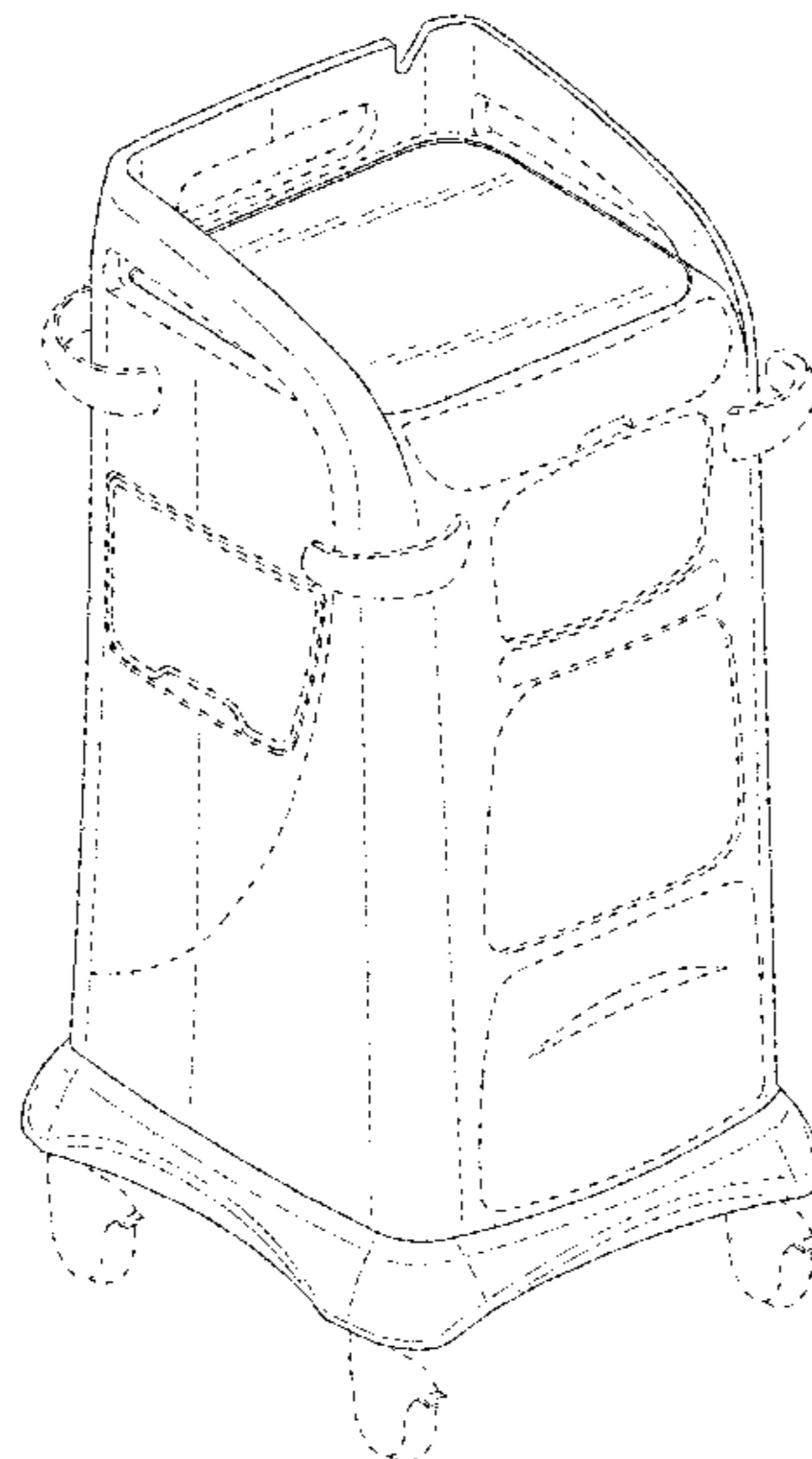
The ornamental design for a tissue acquisition platform, as shown and described.

DESCRIPTION

FIG. 1 is a front left perspective view of a first embodiment of a tissue acquisition platform showing our new design; FIG. 2 is a front view of the design shown in FIG. 1; FIG. 3 is a rear view of the design shown in FIG. 1; FIG. 4 is a left side view of the design shown in FIG. 1; FIG. 5 is a right side view of the design shown in FIG. 1; FIG. 6 is a top view of the design shown in FIG. 1; and, FIG. 7 is a bottom of the design shown in FIG. 1.

The broken lines shown in the drawings represent unclaimed portions of the tissue acquisition platform and form no part of the claimed design.

1 Claim, 7 Drawing Sheets



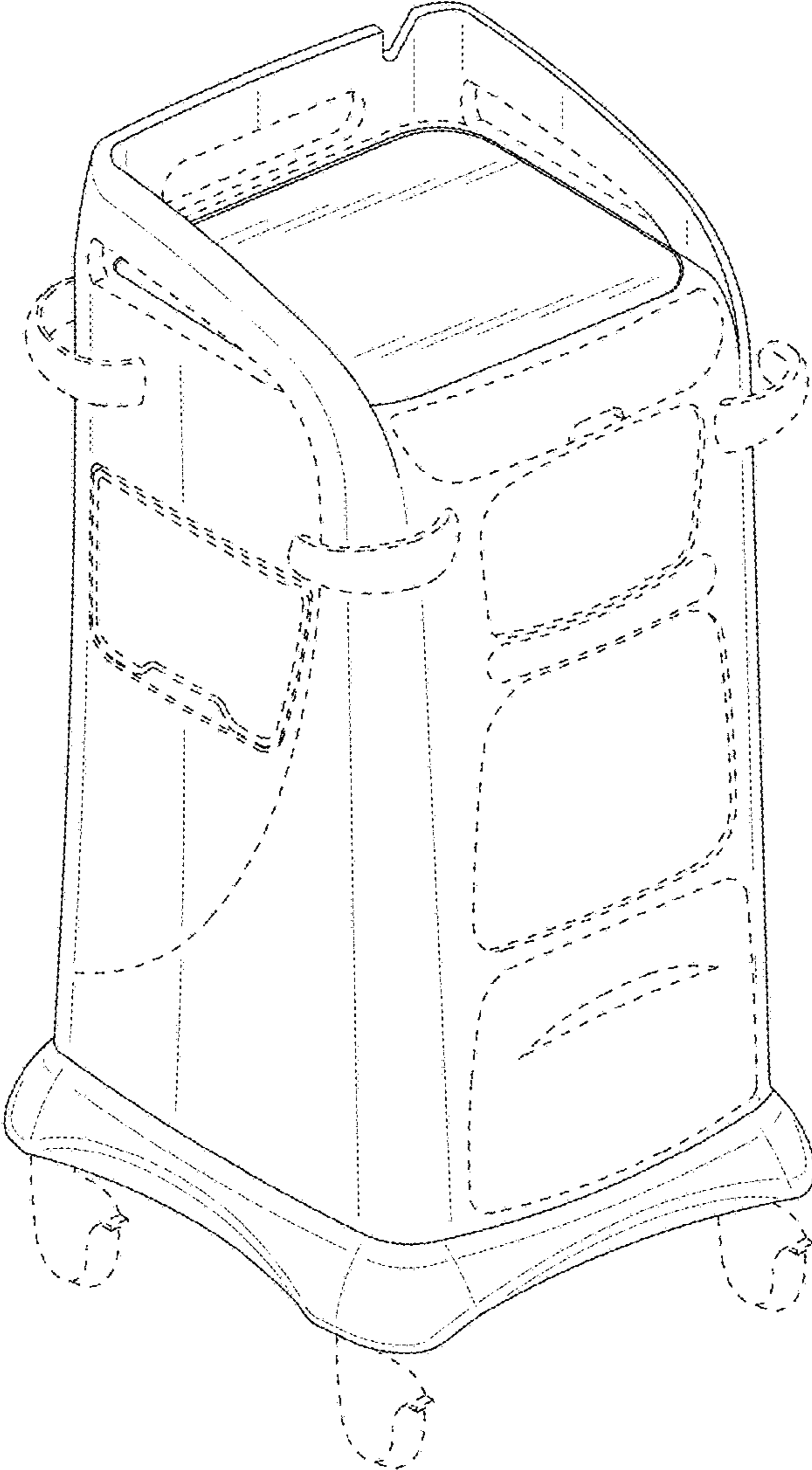


FIG. 1

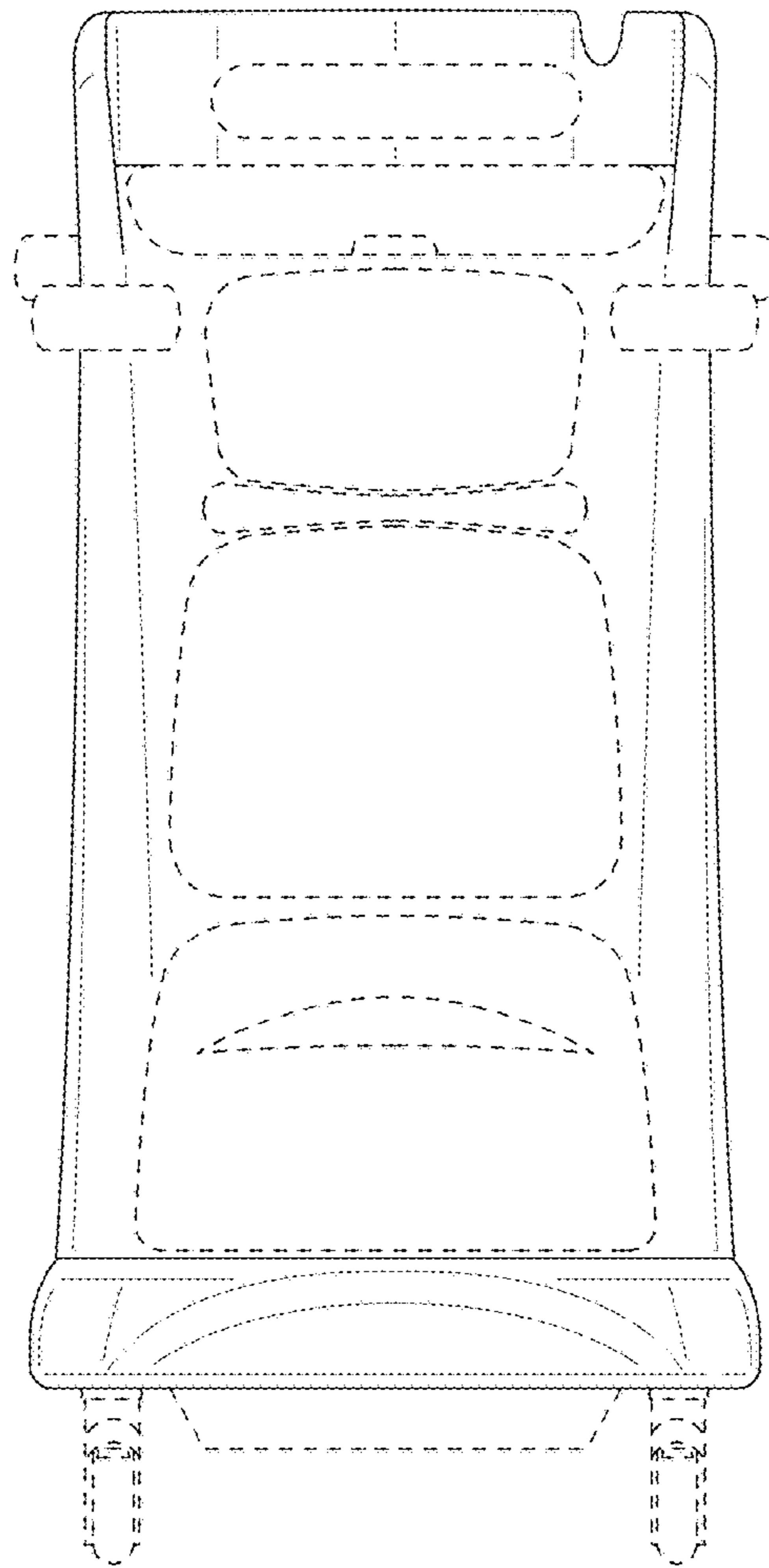


FIG. 2

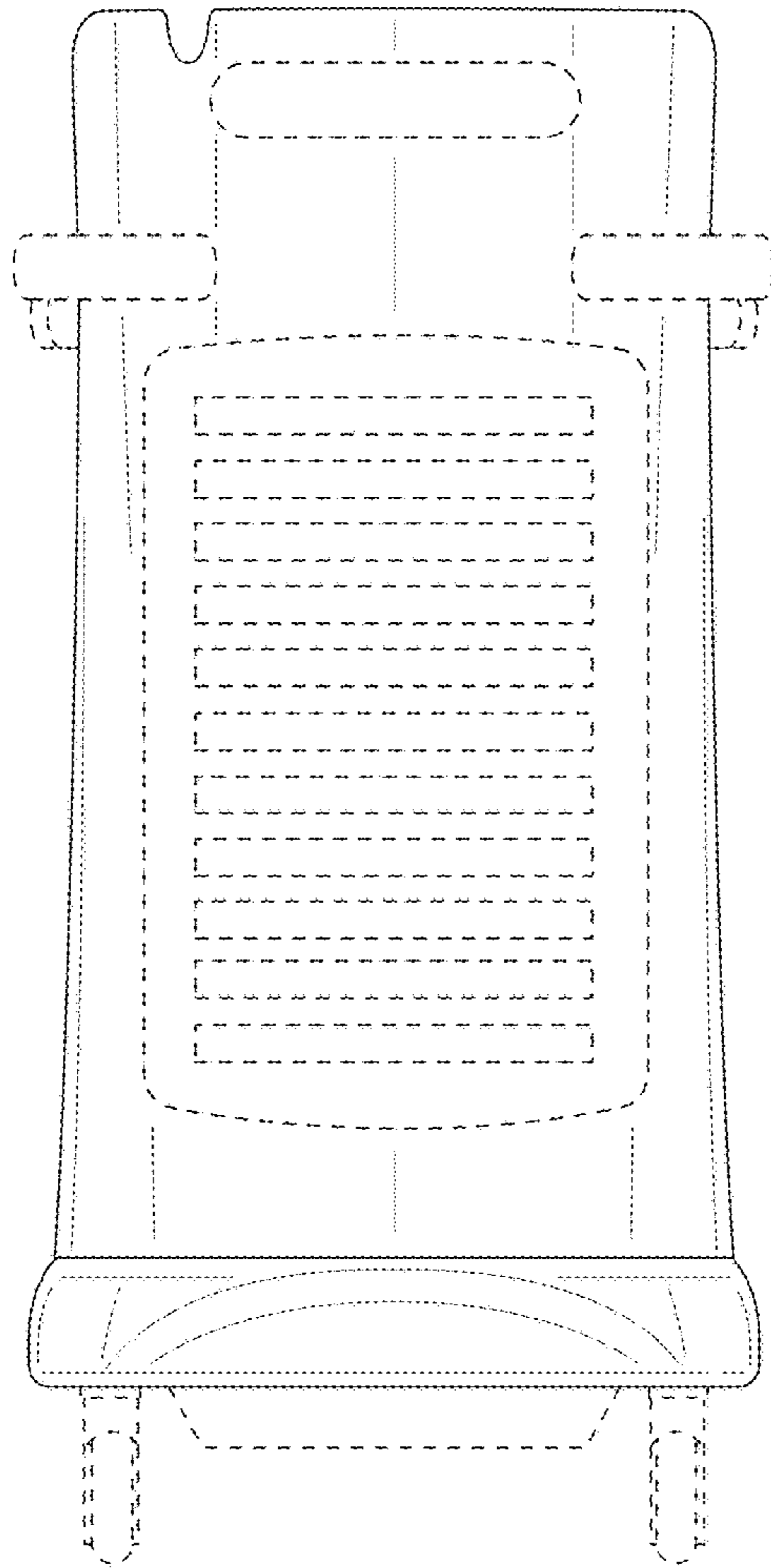


FIG. 3

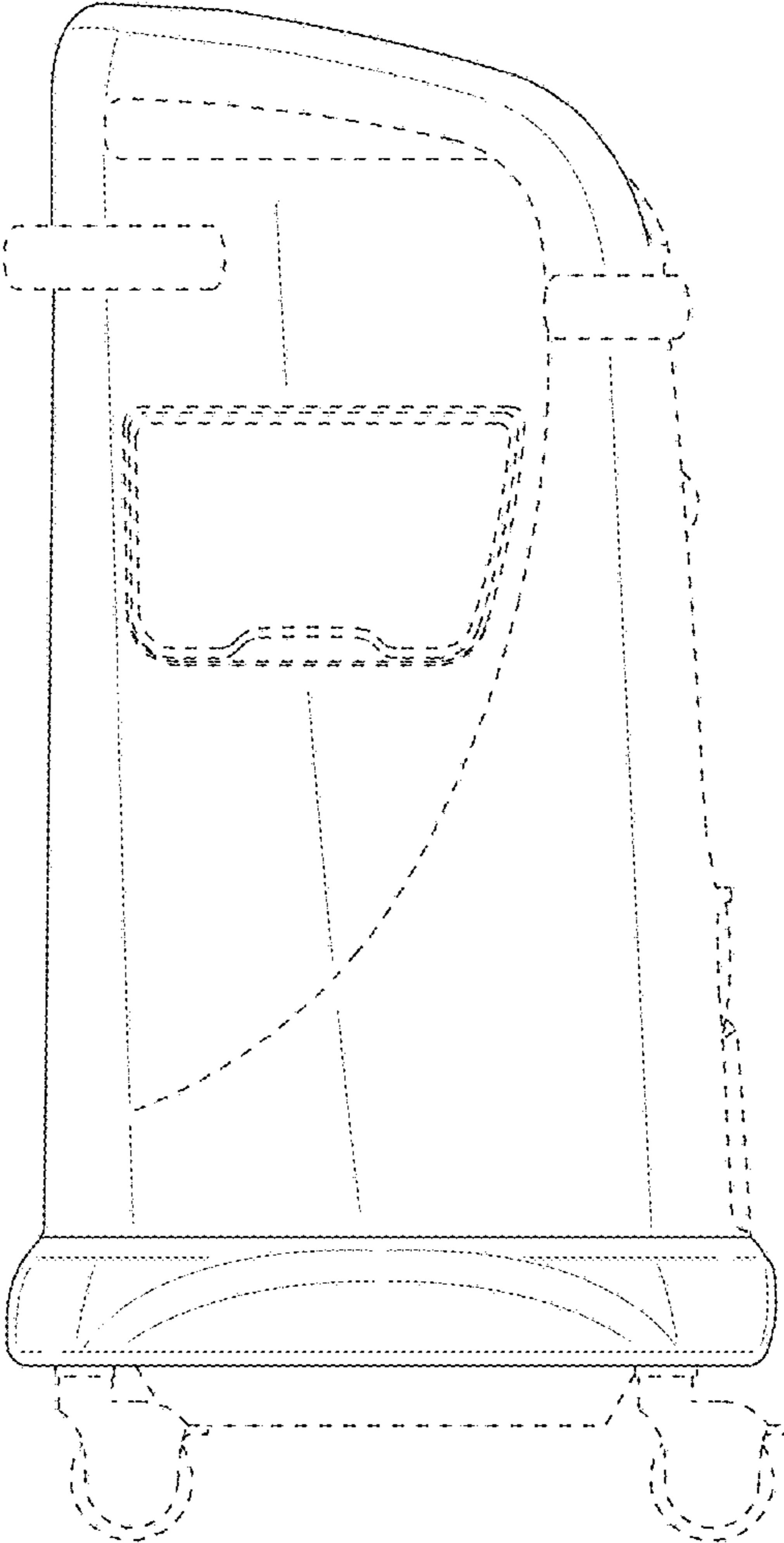


FIG. 4

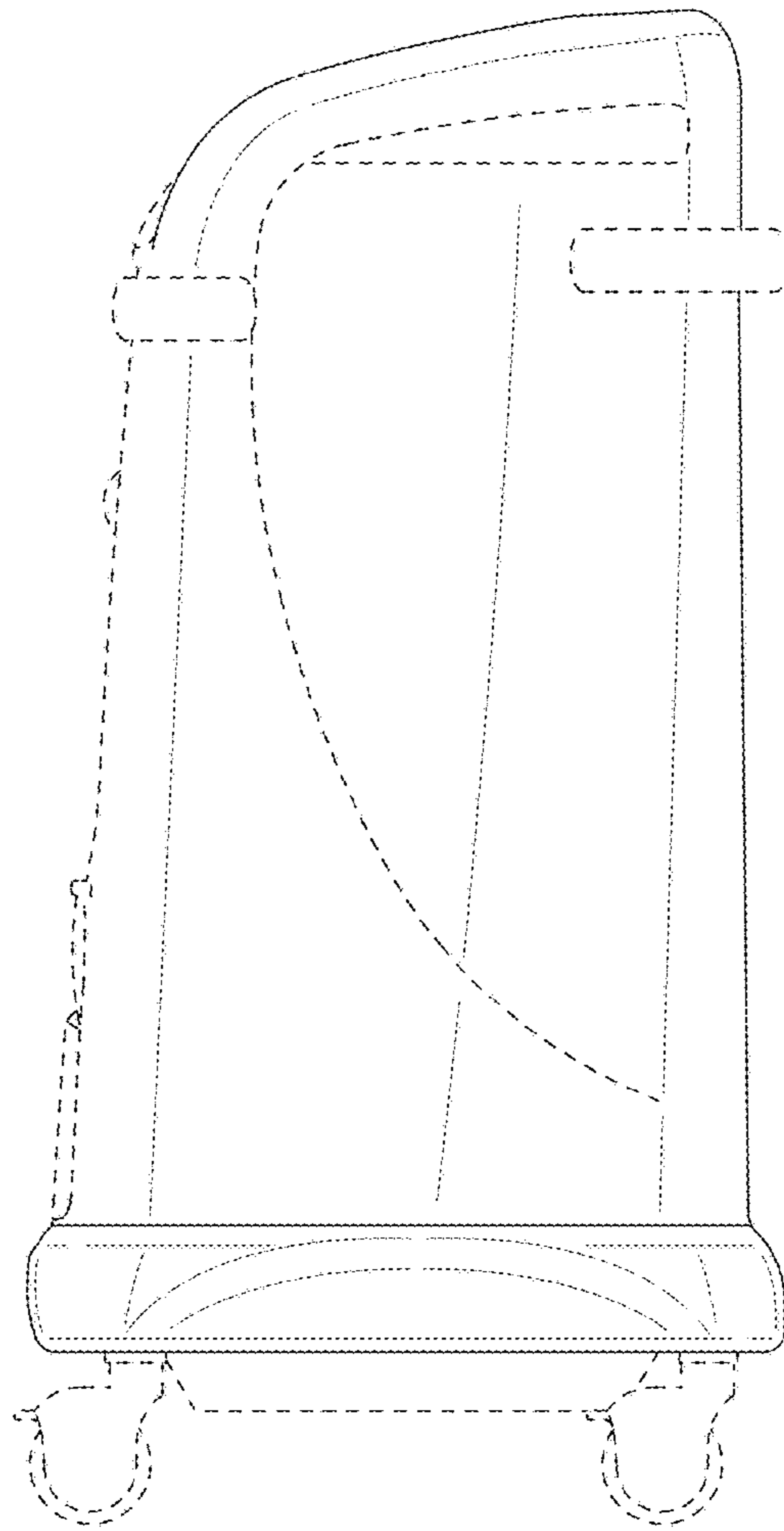


FIG. 5

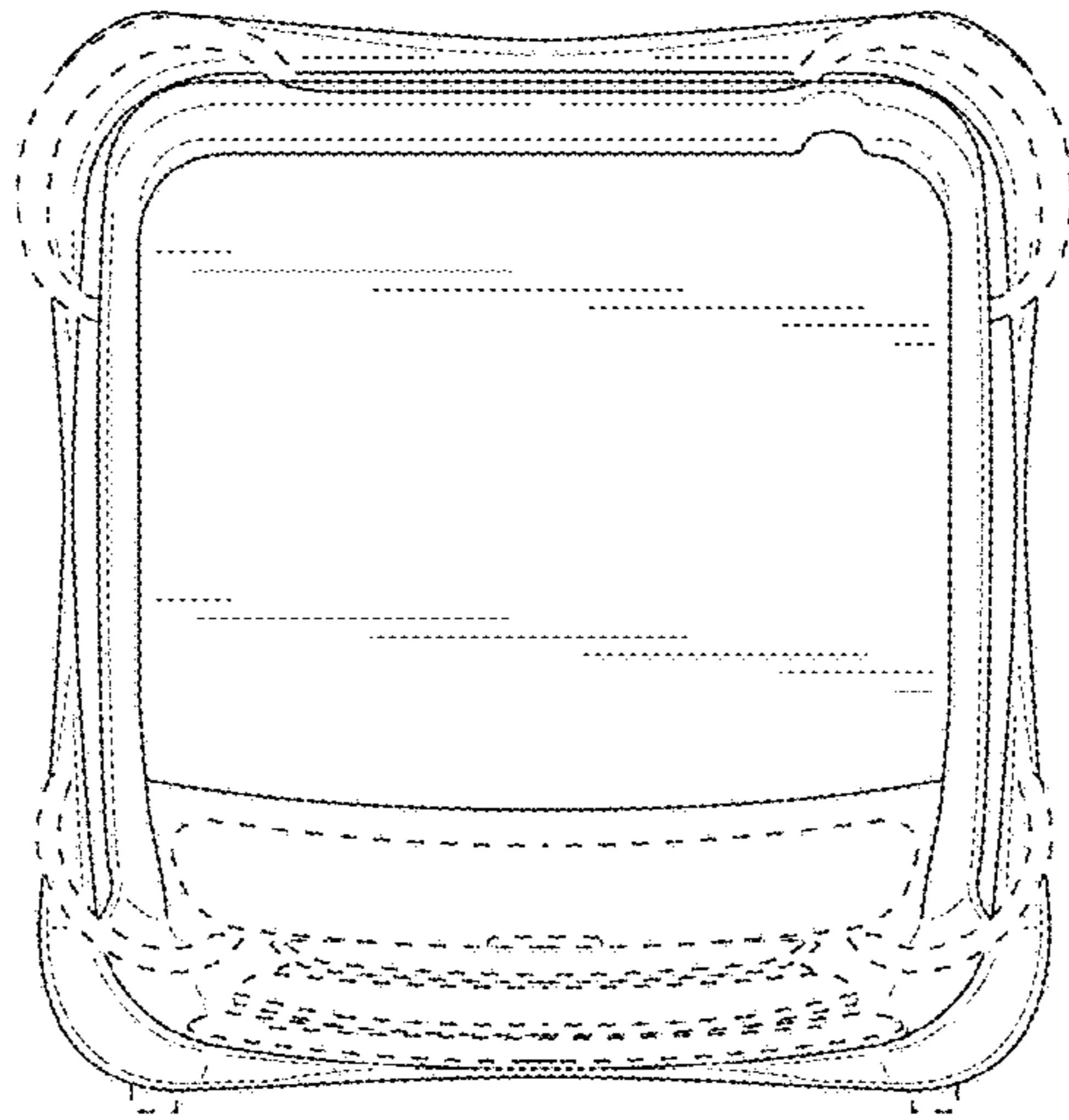


FIG. 6

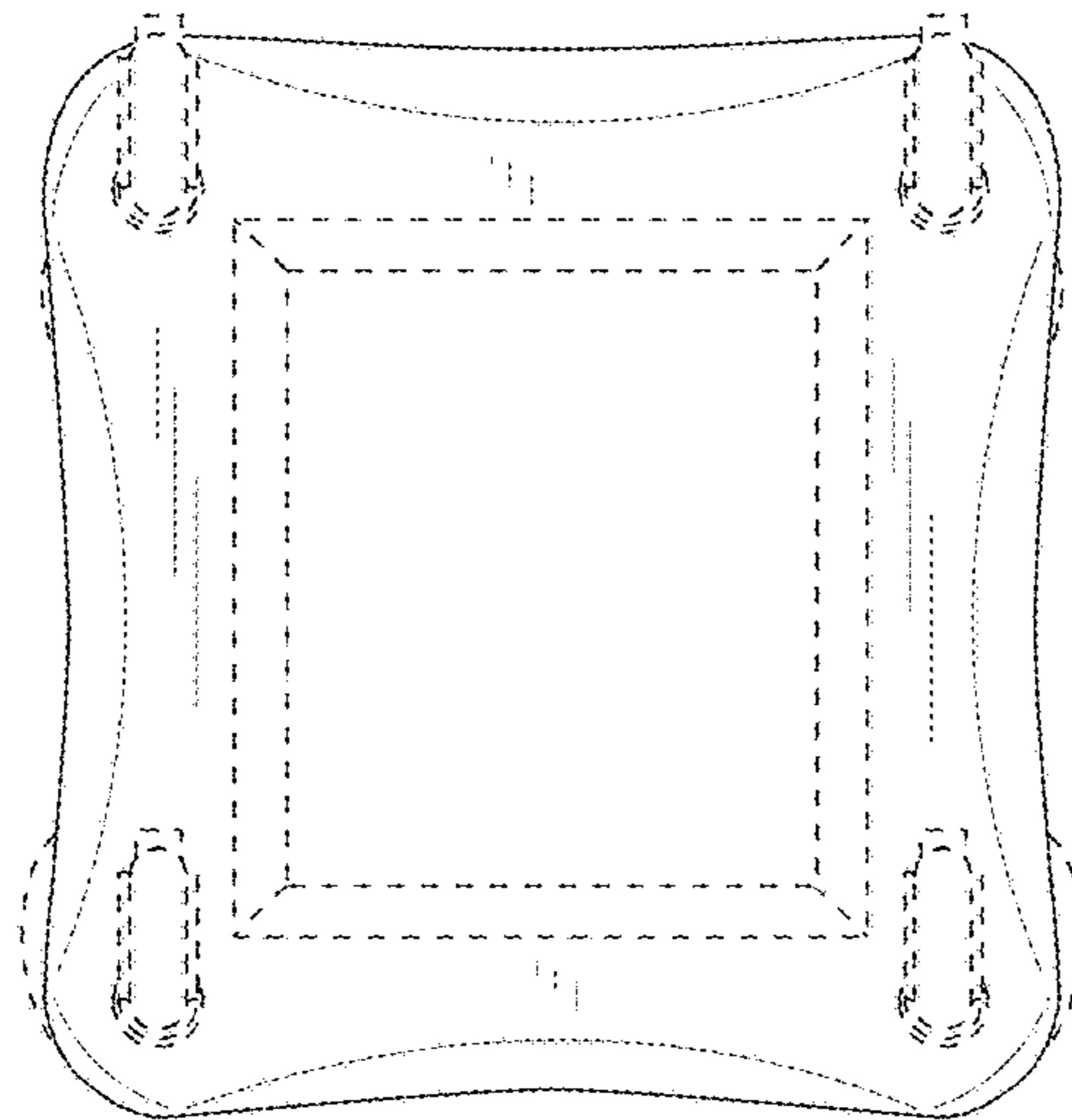


FIG. 7