



US00D852962S

(12) **United States Design Patent** (10) **Patent No.:** **US D852,962 S**
Chang (45) **Date of Patent:** **** Jul. 2, 2019**

(54) **ULTRASONIC DIAGNOSIS APPARATUS**

D716,949 S * 11/2014 Baba D24/160
D726,923 S * 4/2015 Baba D24/158
D816,223 S * 4/2018 Barak D24/158
D816,232 S * 4/2018 Asad D24/186

(71) Applicant: **Canon Medical Systems Corporation,**
Otagawa-shi (JP)

FOREIGN PATENT DOCUMENTS

(72) Inventor: **Shianwei Chang,** Kawasaki (JP)

CN D302270061 1/2013
CN D302432026 5/2013
CN D302768372 3/2014
JP S1282245 9/2006

(73) Assignee: **Canon Medical Systems Corporation,**
Otagawa-shi (JP)

(**) Term: **15 Years**

* cited by examiner

(21) Appl. No.: **29/557,347**

Primary Examiner — Rhea Shields

(22) Filed: **Mar. 8, 2016**

(74) *Attorney, Agent, or Firm* — Finnegan, Henderson,
Farabow, Garrett & Dunner LLP

(30) **Foreign Application Priority Data**

(57) **CLAIM**

Sep. 9, 2015 (JP) 2015-019988

The ornamental design for an ultrasonic diagnosis apparatus,
as shown and described.

(51) **LOC (11) Cl.** **24-02**

DESCRIPTION

(52) **U.S. Cl.**
USPC **D24/185**

(58) **Field of Classification Search**
USPC D24/186, 158, 160, 185; 600/447;
348/163

CPC A61B 8/00; A47B 3/0912
See application file for complete search history.

FIG. 1 is a front, top and right side perspective view of an ultrasonic diagnosis apparatus, showing my new design; FIG. 2 is a rear, top and left side perspective view thereof; FIG. 3 is a front view thereof; FIG. 4 is a rear view thereof; FIG. 5 is a left side view thereof; FIG. 6 is a right side view thereof; FIG. 7 is a top view thereof; FIG. 8 is a bottom view thereof; FIG. 9 is an enlarged fragmented front view of the ultrasonic diagnosis apparatus; taken along the two horizontal lines 9 of FIG. 3; and,

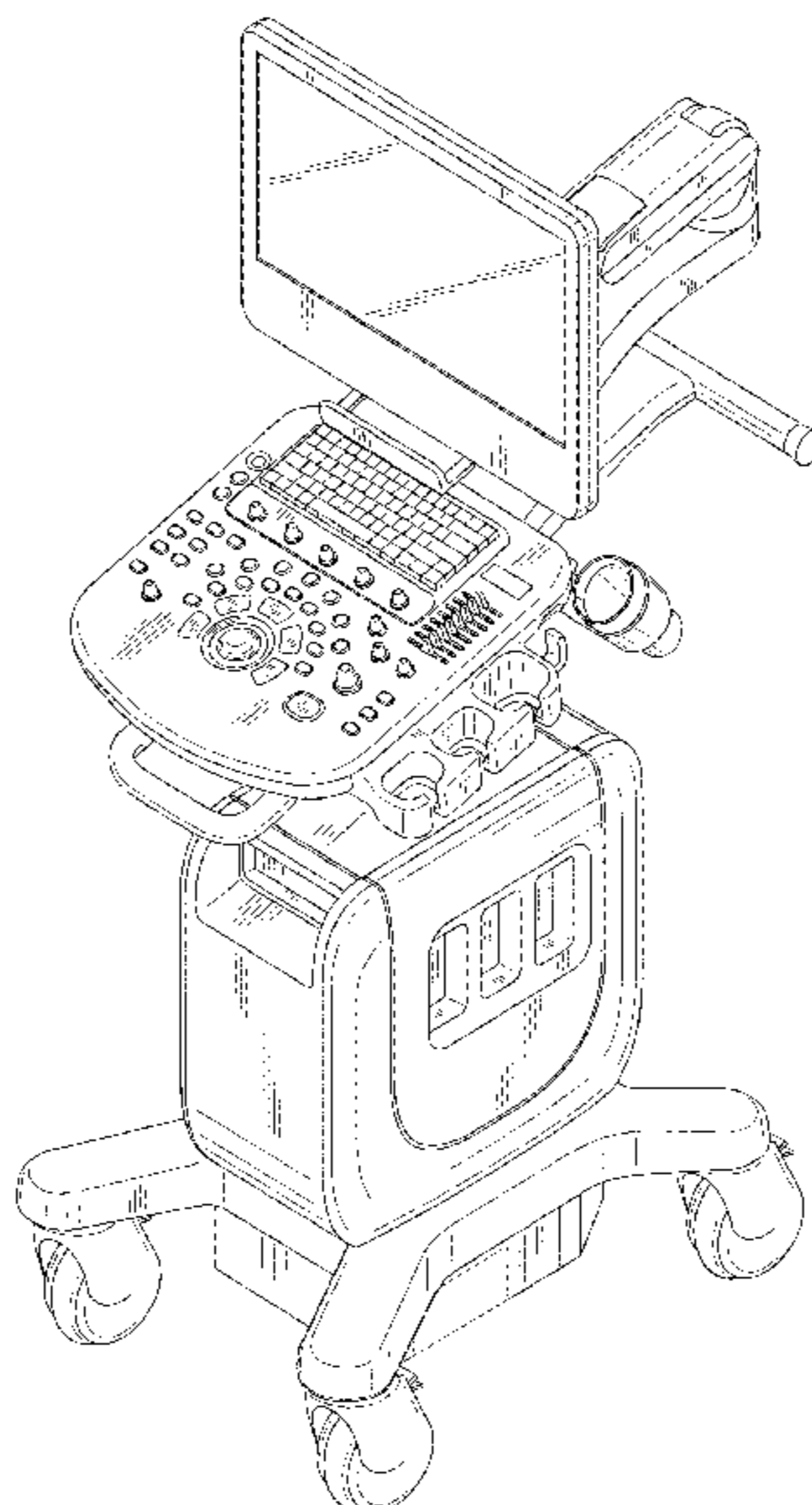
(56) **References Cited**

U.S. PATENT DOCUMENTS

4,058,001 A * 11/1977 Waxman A61B 8/00
348/163
5,255,682 A * 10/1993 Pawluskiewicz A61B 8/00
600/447
D365,148 S * 12/1995 Murakami D24/160
D480,810 S * 10/2003 Gumisawa D24/158
D529,611 S * 10/2006 Gumisawa D24/158
D560,807 S * 1/2008 Kitayama D24/158
D571,011 S * 6/2008 Otoha D24/158
D630,752 S * 1/2011 Suzuki D24/158
D662,208 S * 6/2012 Otoha D24/185

FIG. 10 is an enlarged cross sectional view thereof; taken along the line 10-10 in FIG. 3. The broken lines showing in FIG. 3 are included to indicate the cutting plane of FIGS. 9 and 10. The broken lines of even length shown in the figures are for environmental purposes only and form no part of the claimed design.

1 Claim, 10 Drawing Sheets



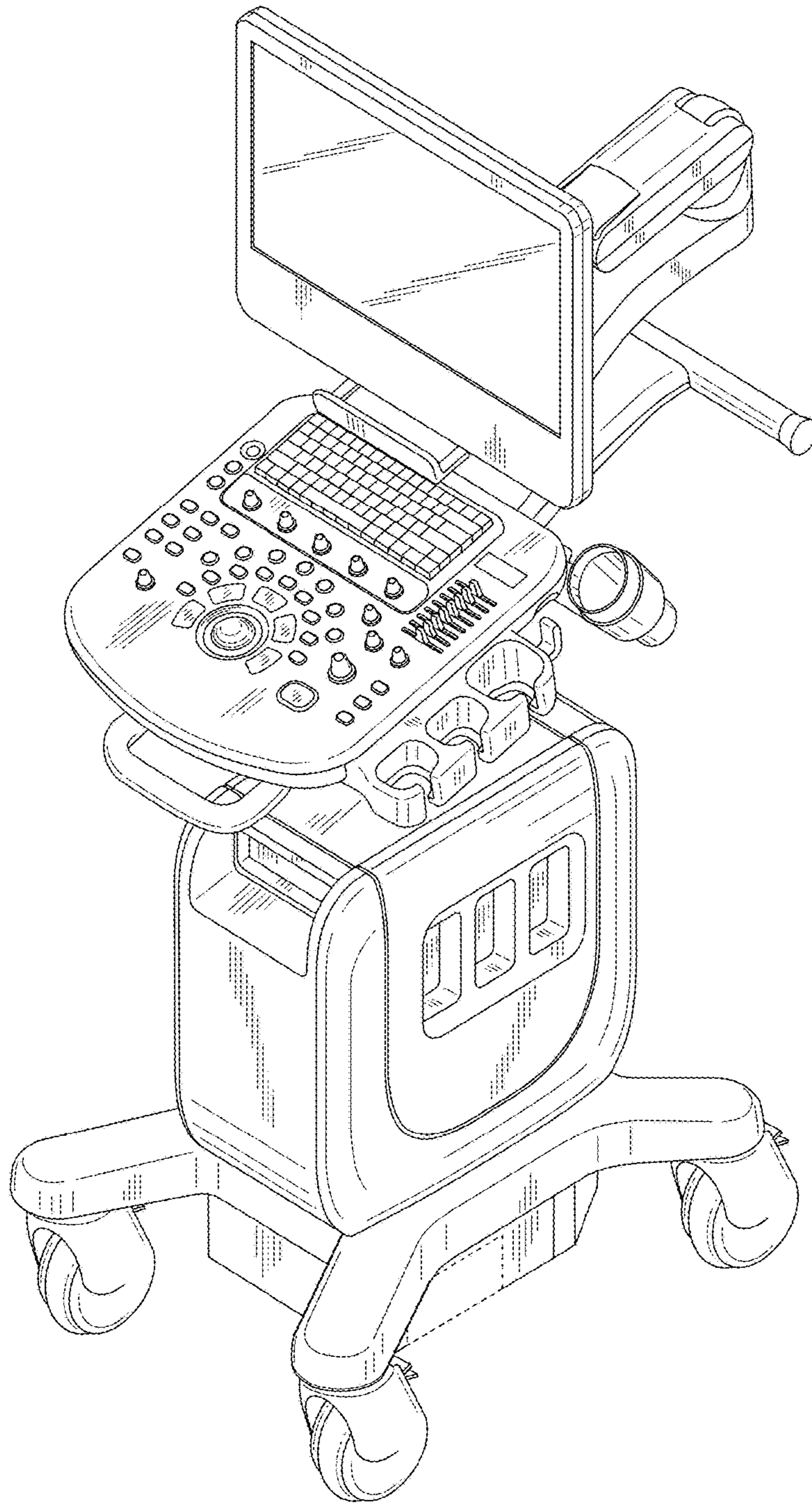


FIG. 1

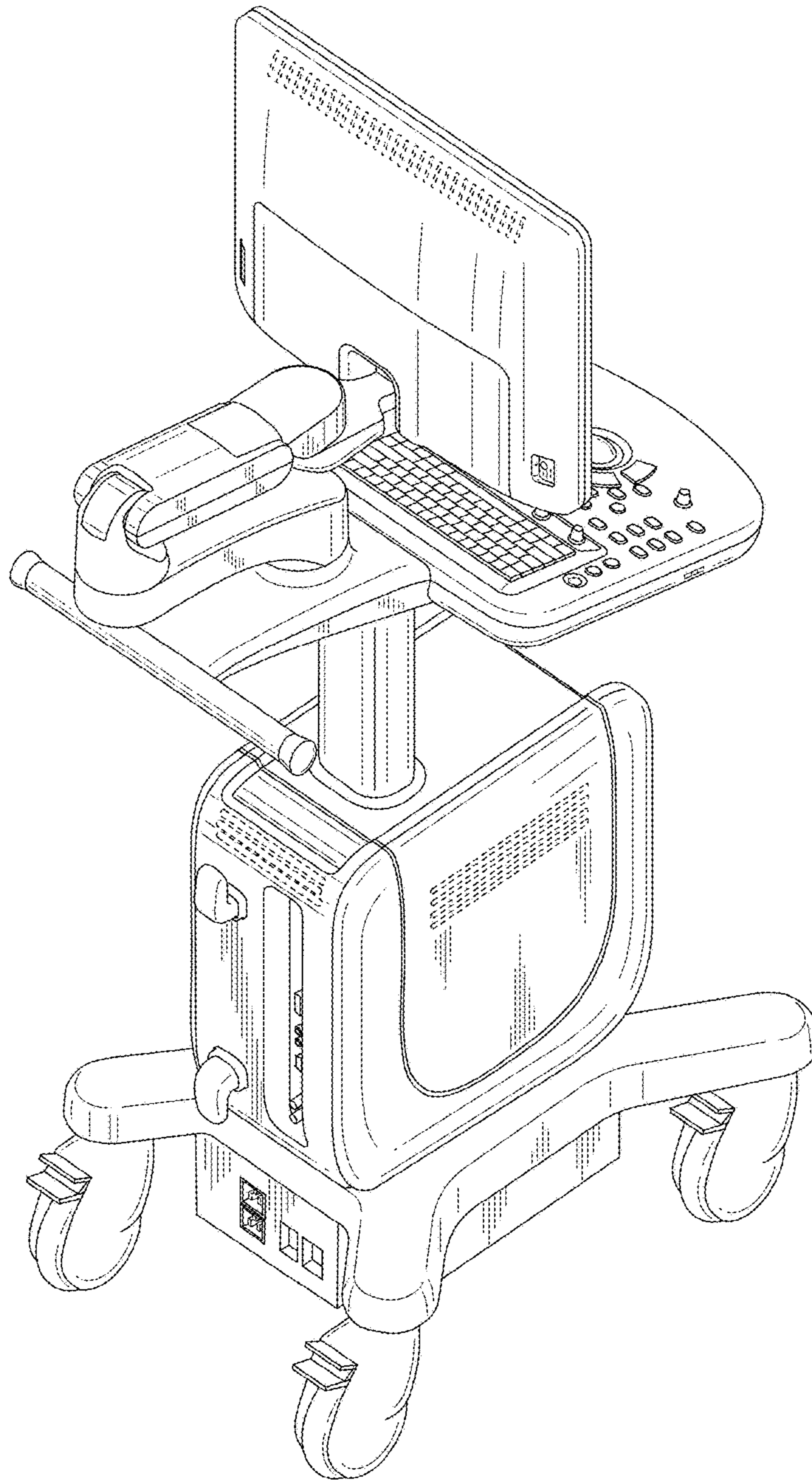


FIG. 2

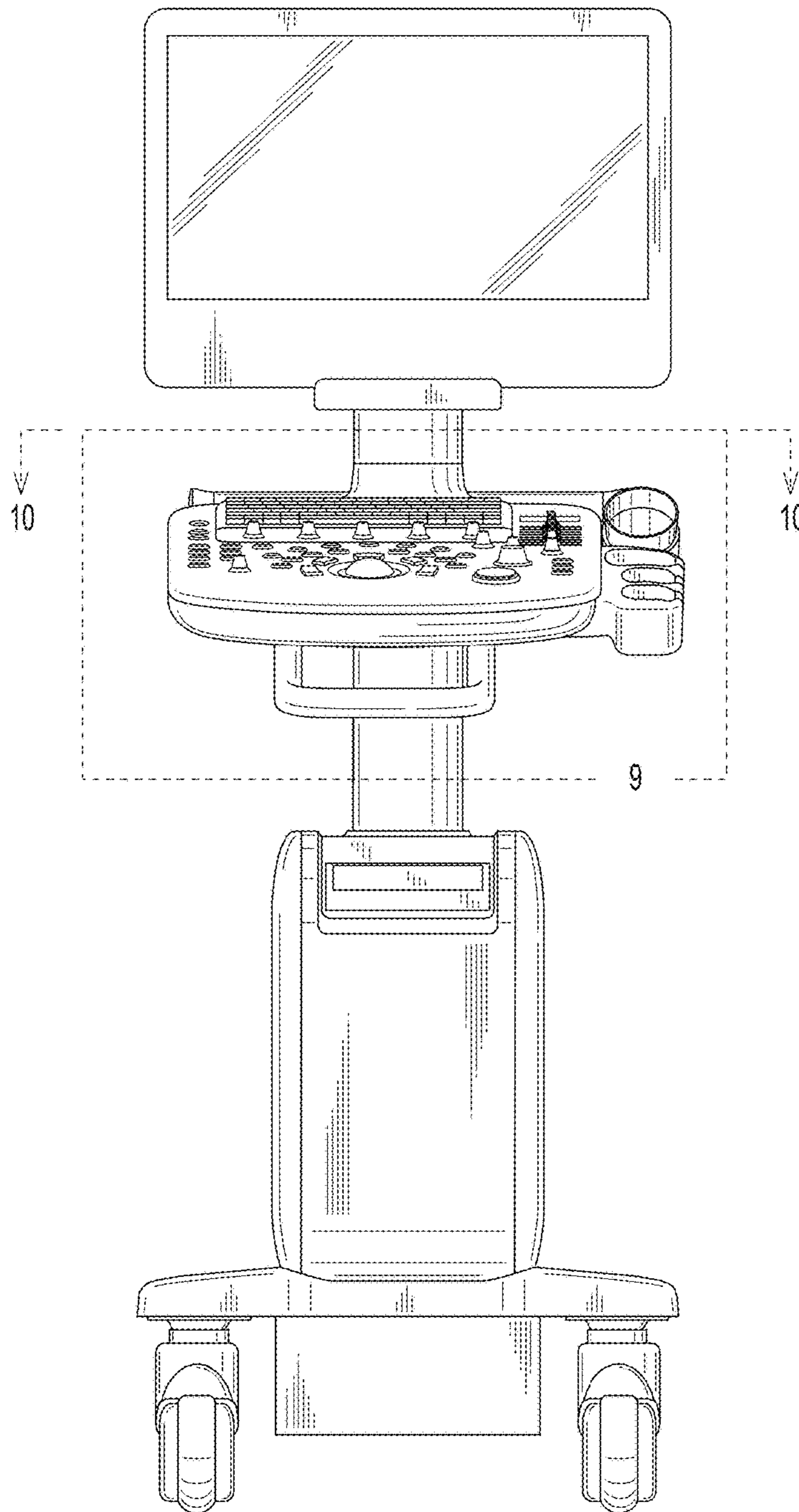


FIG. 3

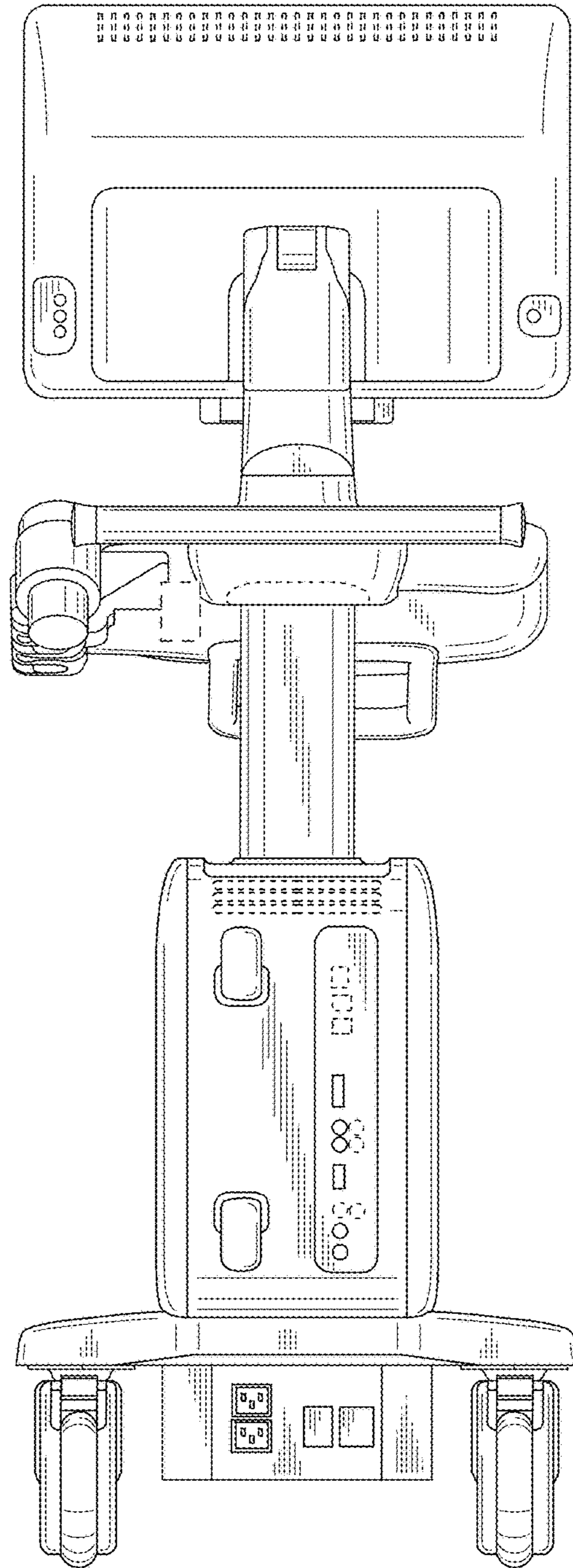


FIG. 4

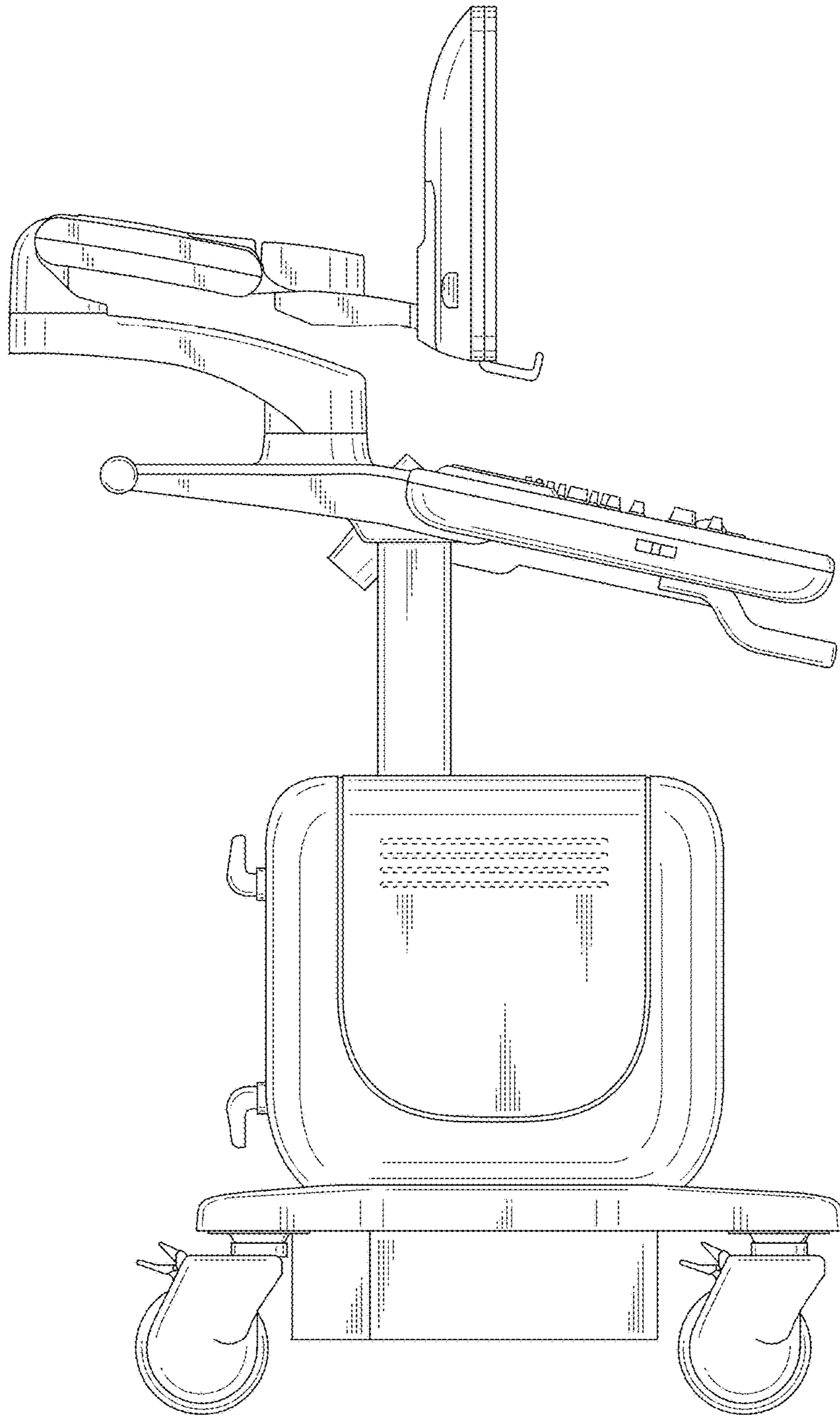


FIG. 5

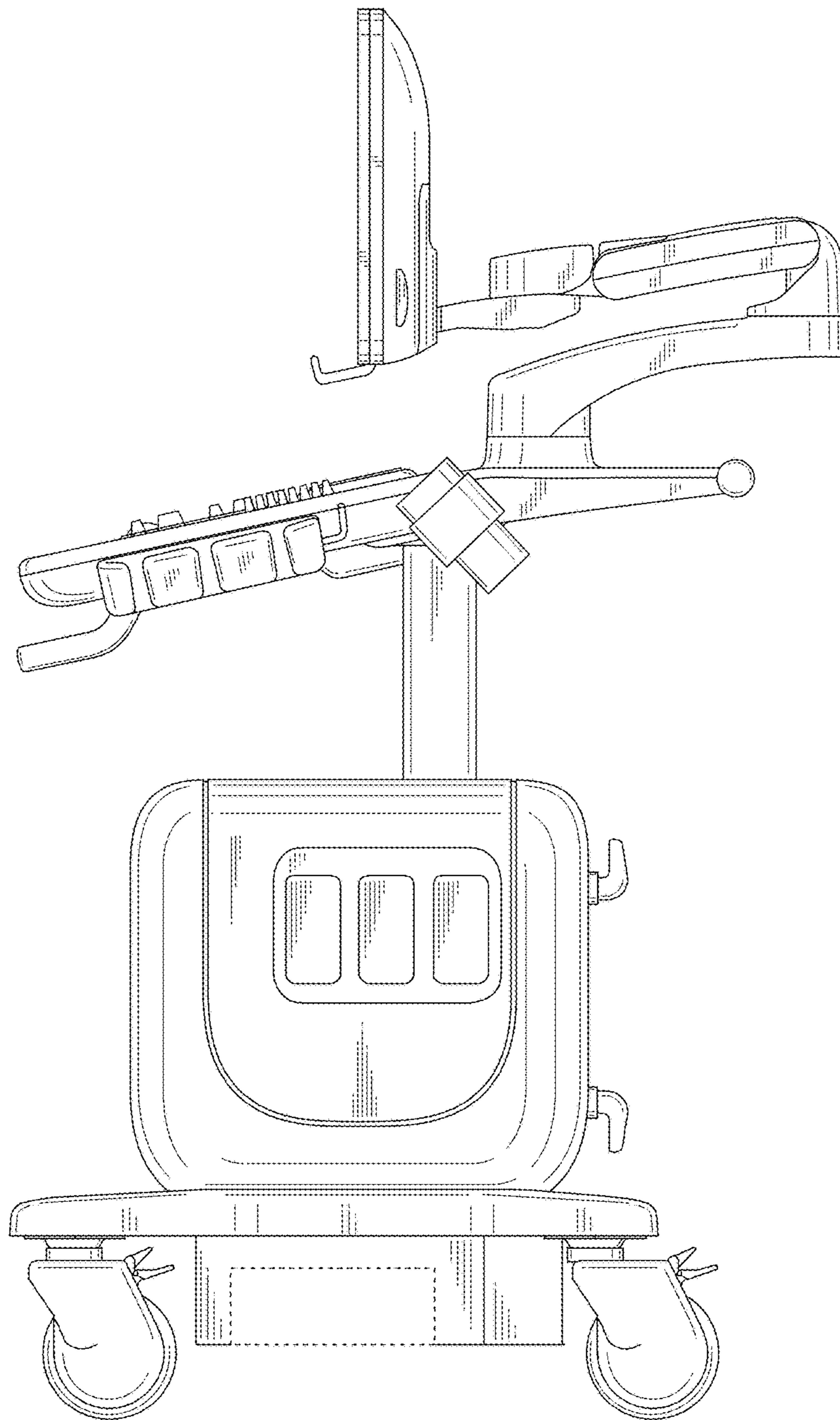


FIG. 6

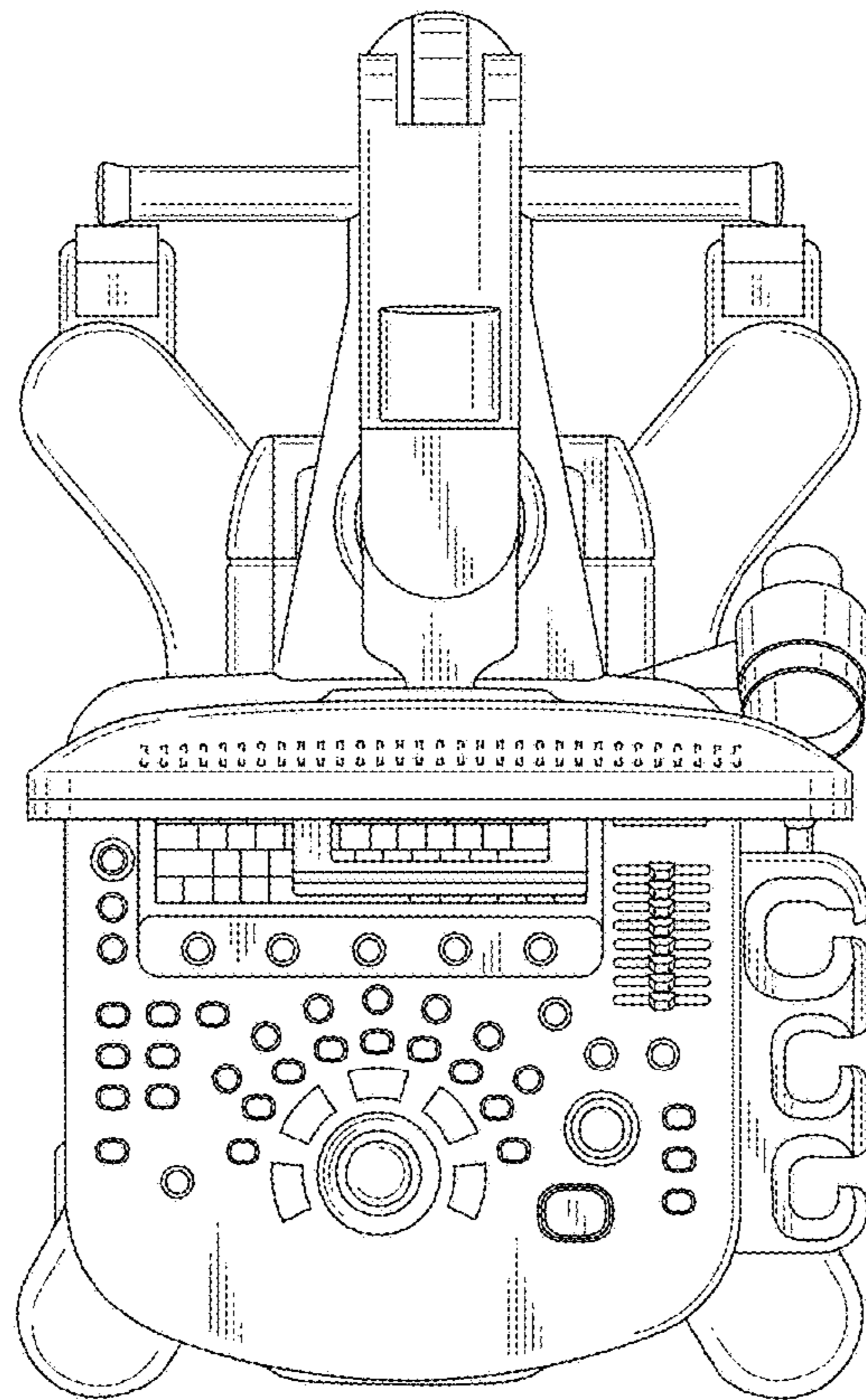


FIG. 7

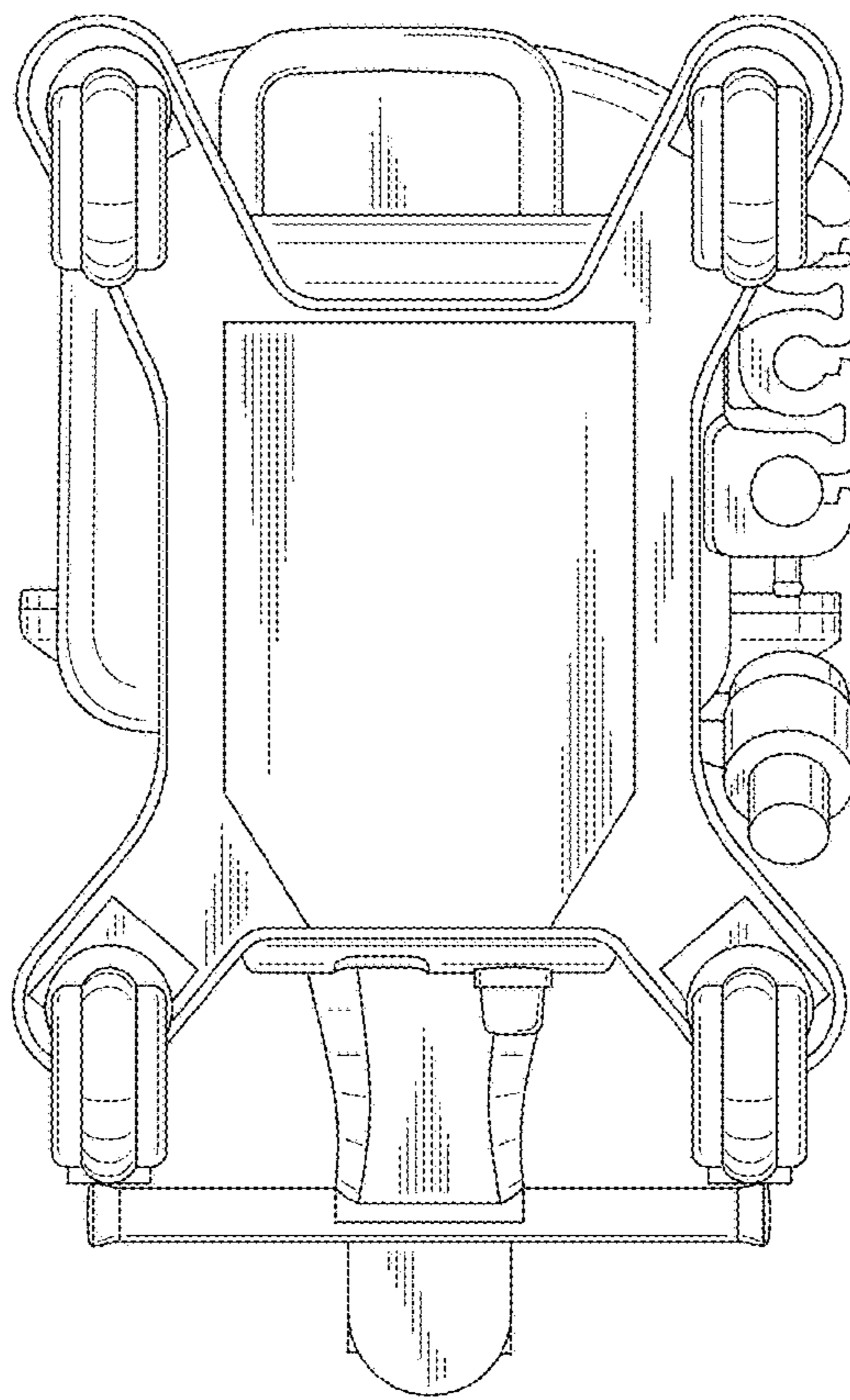


Fig. 8

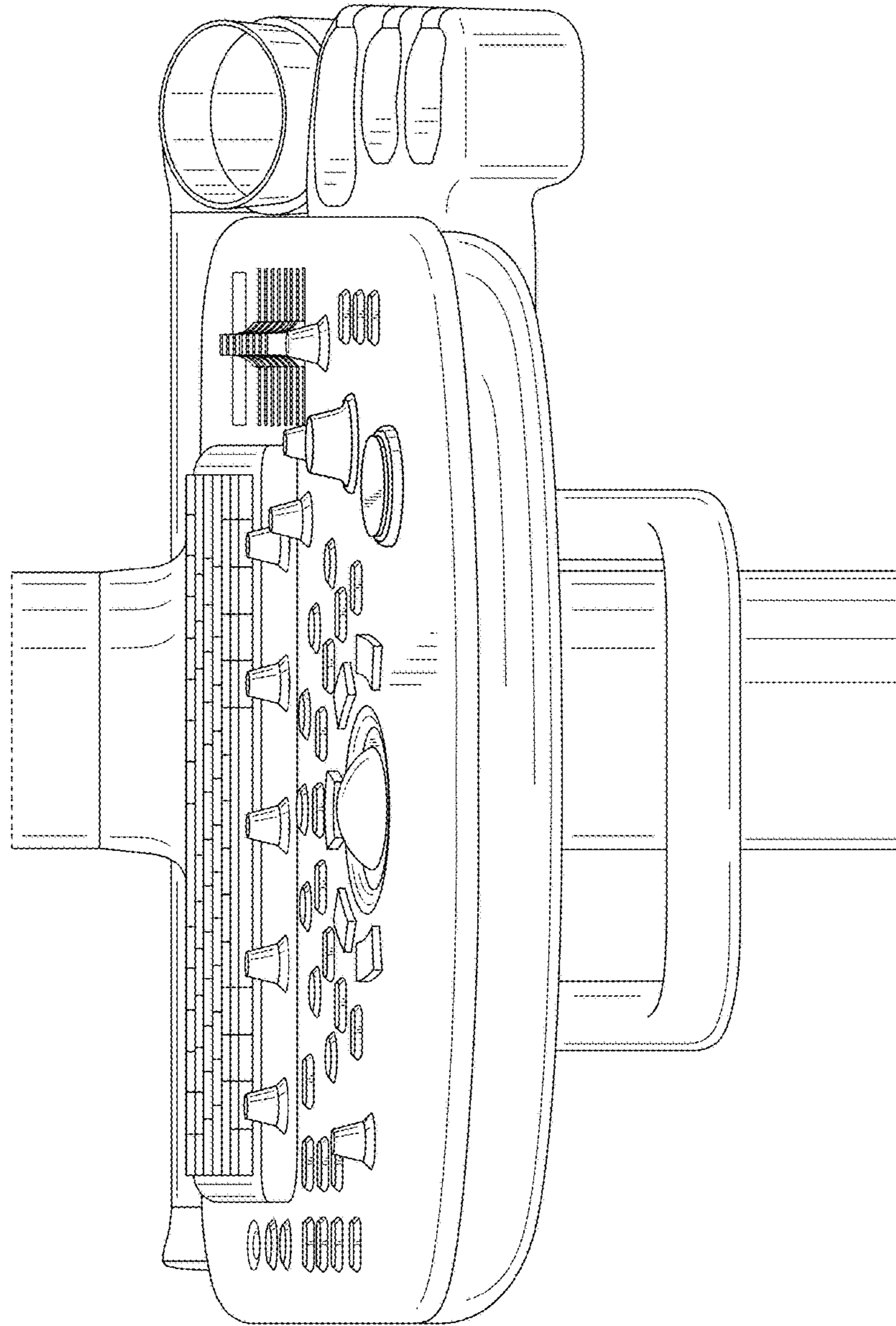


FIG. 9

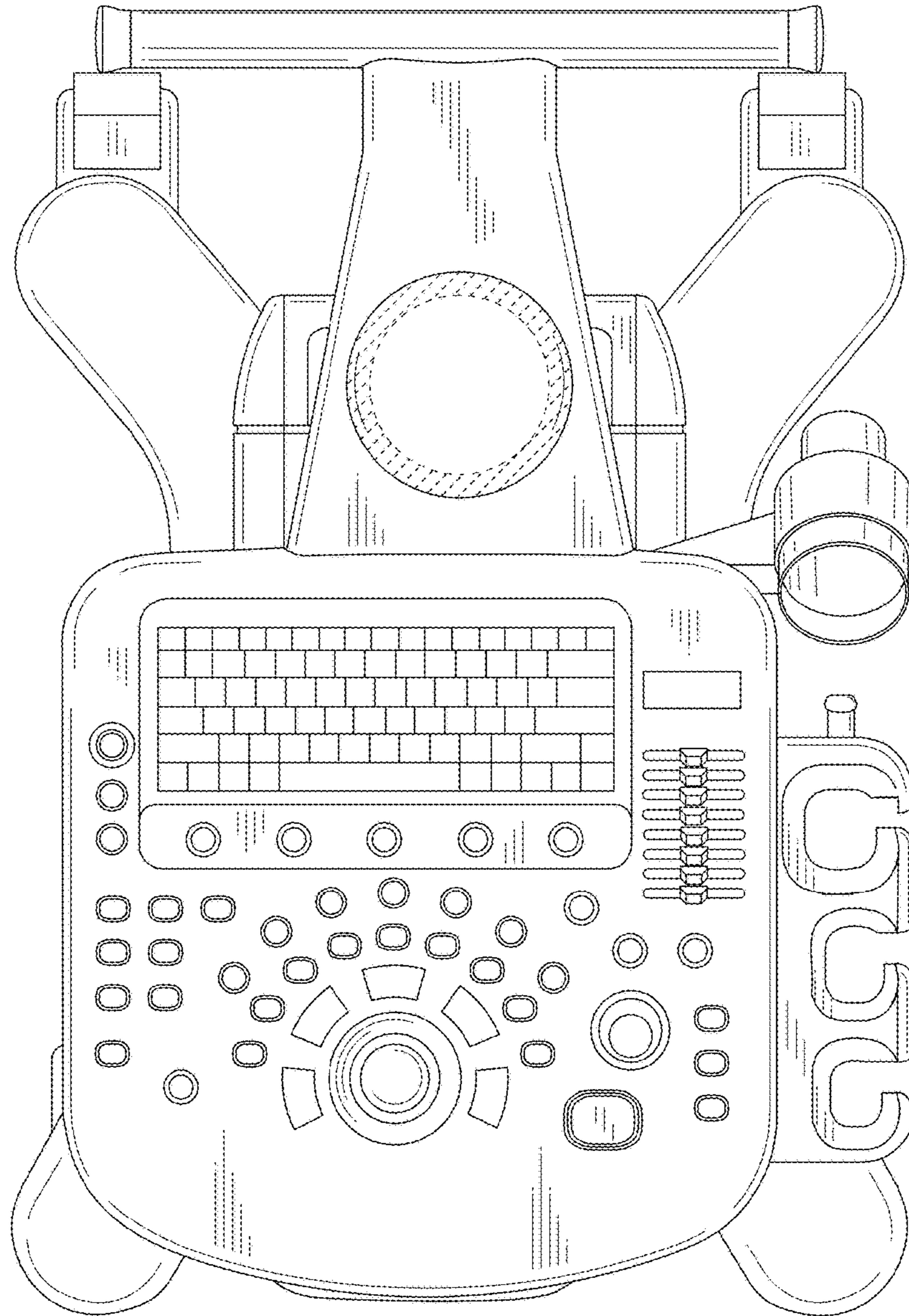


FIG. 10