



US00D852961S

(12) **United States Design Patent** (10) **Patent No.:** **US D852,961 S**
Ellenz et al. (45) **Date of Patent:** **** Jul. 2, 2019**

(54) **MEDICAL CONSOLE WITH DISPLAY**

D804,032 S * 11/2017 Yanase D24/160
D804,671 S * 12/2017 Yanase D24/160
D805,646 S * 12/2017 Burns D24/185

(71) Applicant: **Energize Medical LLC**, Lenexa, KS
(US)

(Continued)

(72) Inventors: **John Ellenz**, Olathe, KS (US); **Randall Allard**, Olathe, KS (US)

OTHER PUBLICATIONS

(73) Assignee: **Energize Medical LLC**, Lenexa, KS
(US)

Techbriefs. "400RXMD OEM Pumps". Internet article. 3 pages. Aug. 1, 2015. Obtained from the Internet URL: <https://www.techbriefs.com/component/content/article/1107-mdb/products/22595-400rxmd-oem-pumps>. Obtained on Oct. 14, 2018.

(**) Term: **15 Years**

Primary Examiner — Rhea Shields

(21) Appl. No.: **29/547,959**

(74) *Attorney, Agent, or Firm* — The Fedde Law Firm; Kenton Fedde; Nathaniel Fedde

(22) Filed: **Dec. 9, 2015**

(51) **LOC (11) Cl.** **24-02**

(57) **CLAIM**

(52) **U.S. Cl.**
USPC **D24/185**

The ornamental design for a medical console with display, as shown and described.

(58) **Field of Classification Search**
USPC D24/185, 128, 186, 164, 160, 167;
345/173

DESCRIPTION

CPC G06F 3/016
See application file for complete search history.

FIG. 1 is a front upper right perspective view of a medical console with display, showing our new design.
FIG. 2 is a front upper left perspective view thereof.
FIG. 3 is a front lower right perspective view thereof.
FIG. 4 is a rear upper left perspective view thereof.
FIG. 5 is a front elevation view thereof.
FIG. 6 is a left side elevation view thereof.
FIG. 7 is a right side elevation view thereof.
FIG. 8 is a rear elevation view thereof.
FIG. 9 is a front upper left enlarged perspective view taken along a portion of FIG. 2; and,
FIG. 10 is a front lower right enlarged perspective view taken along a portion of FIG. 3.

(56) **References Cited**

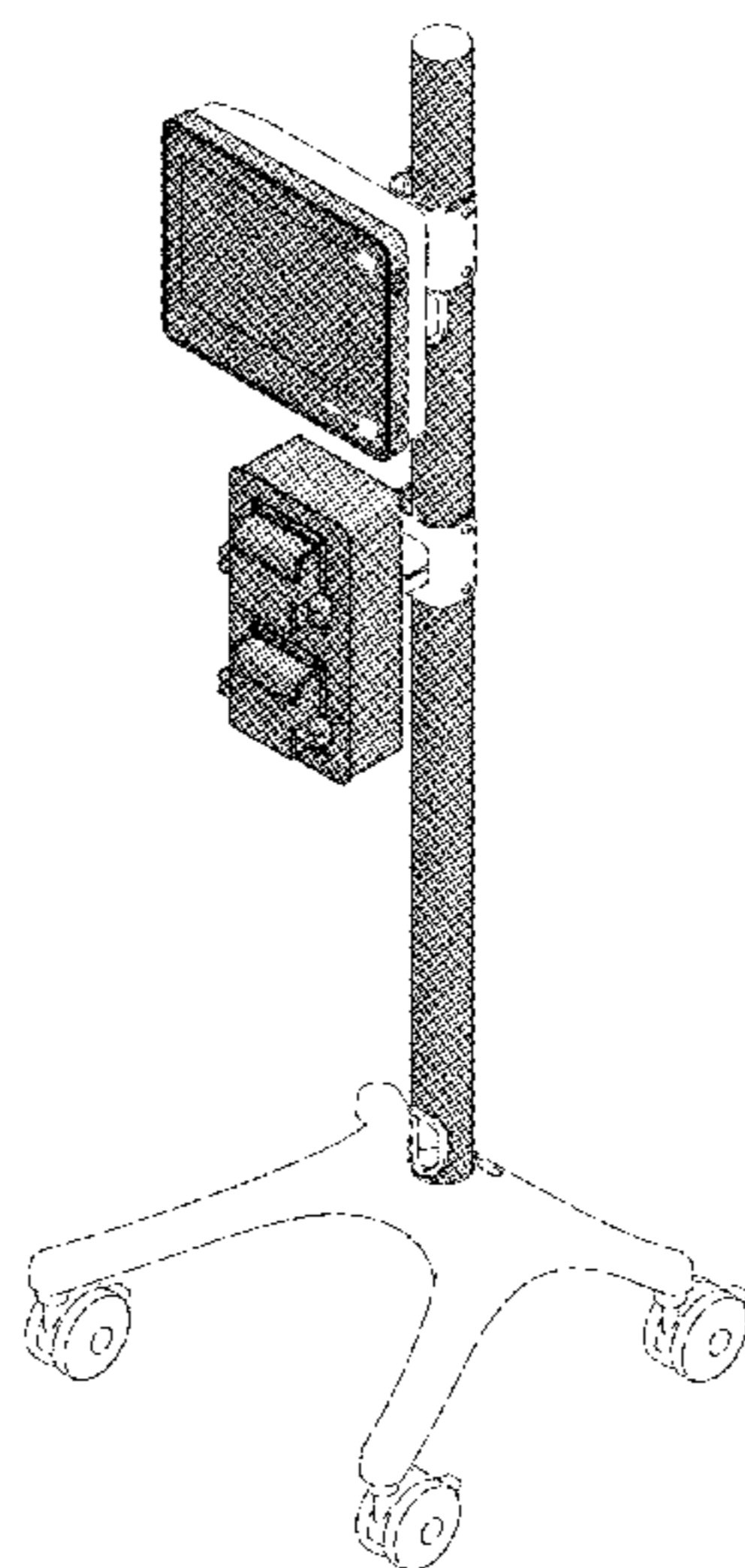
U.S. PATENT DOCUMENTS

D325,440 S *	4/1992	Landis	D24/128
D518,267 S *	3/2006	Arceta	D24/185
D606,202 S *	12/2009	Banryu	D24/185
D626,237 S *	10/2010	Nordgren	D24/185
D632,796 S *	2/2011	Ross	D24/185
D652,936 S *	1/2012	Ross	D24/185
D657,470 S *	4/2012	Schon	D24/186
D700,706 S *	3/2014	Molter	D24/185
D712,042 S *	8/2014	Chung	D24/185
D722,696 S *	2/2015	Blomquist	D24/164
D739,538 S *	9/2015	Bernal	D24/185
D750,787 S *	3/2016	Asad	D24/185
D753,310 S *	4/2016	Thakar	D24/185
D760,390 S *	6/2016	Blomquist	D24/164
D771,817 S *	11/2016	Barak	D24/160
D777,927 S *	1/2017	Choudhary	D24/167

In the drawings, the stippling shows contour and not surface ornamentation.

In the drawings, the broken lines are for the purpose of illustrating environment only and form no part of the claimed design.

1 Claim, 10 Drawing Sheets



(56)

References Cited

U.S. PATENT DOCUMENTS

2014/0098049 A1* 4/2014 Koch G06F 3/016
345/173

* cited by examiner

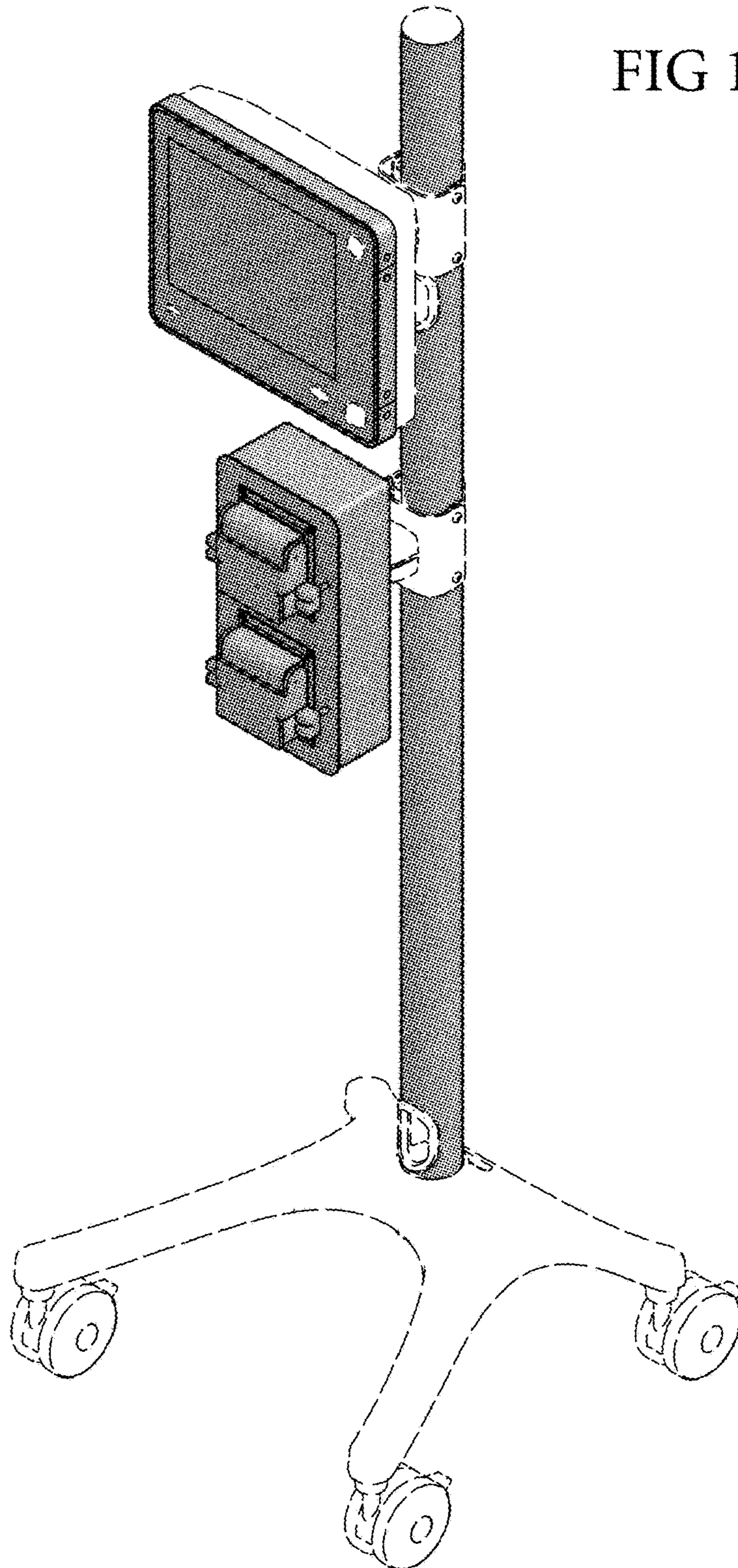


FIG 1

FIG 2

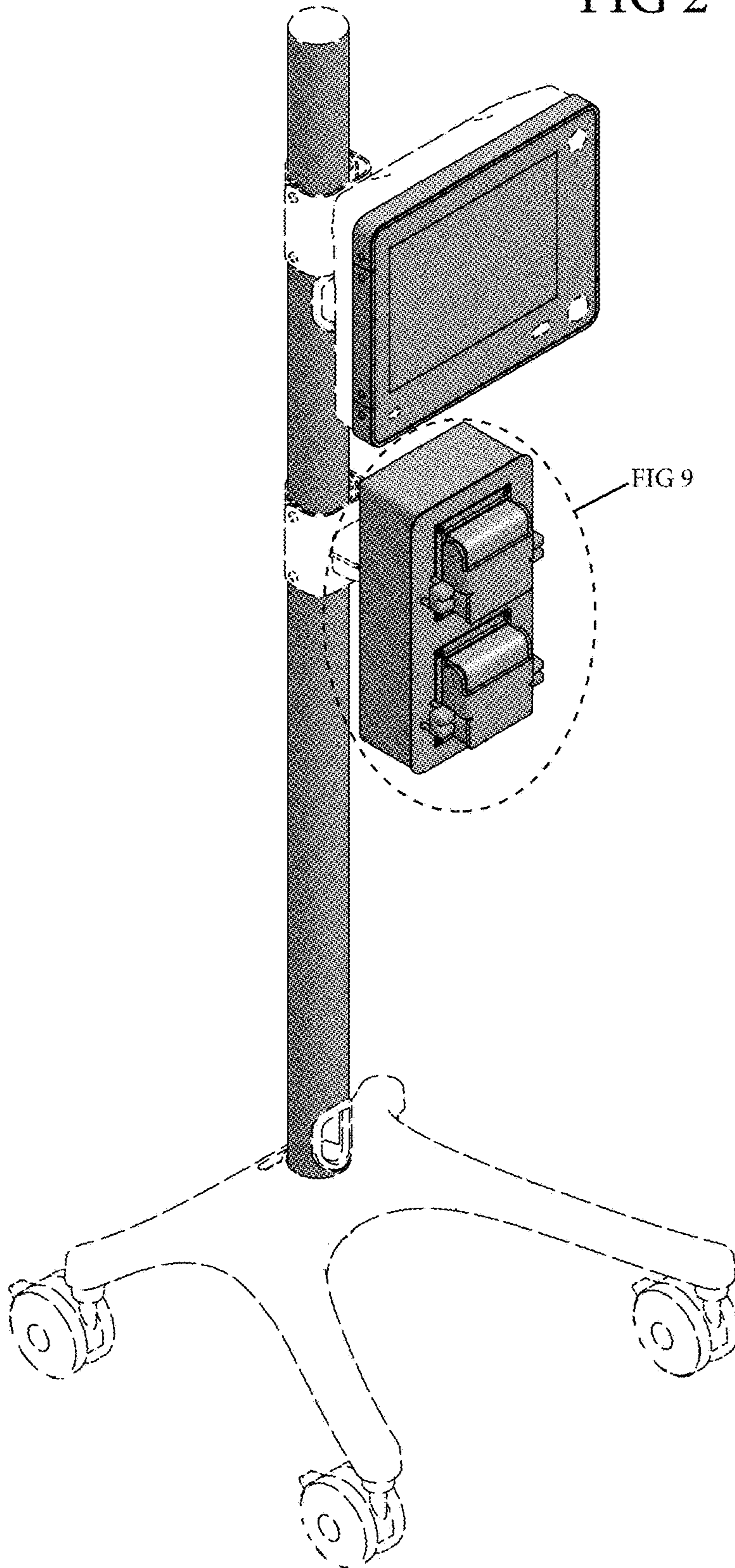


FIG 3

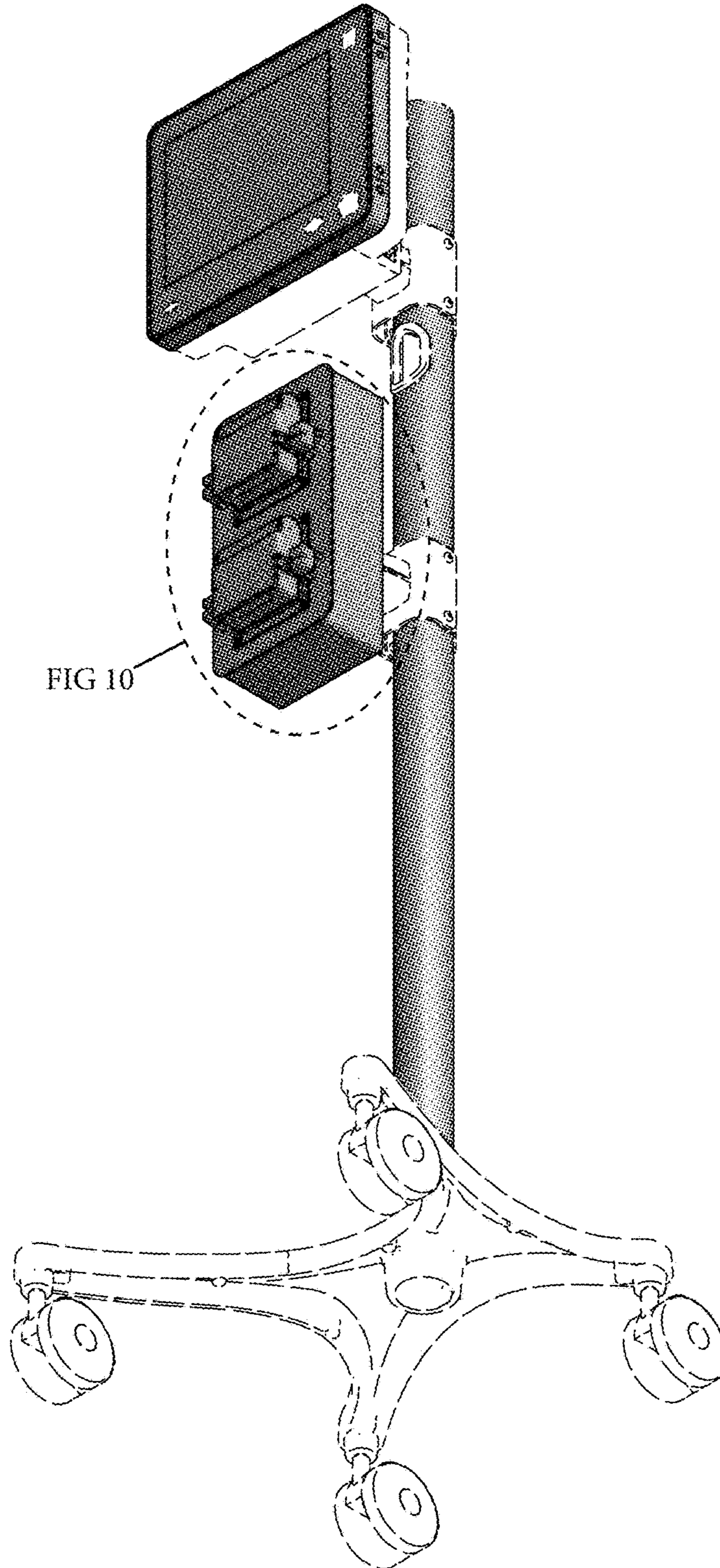


FIG 4

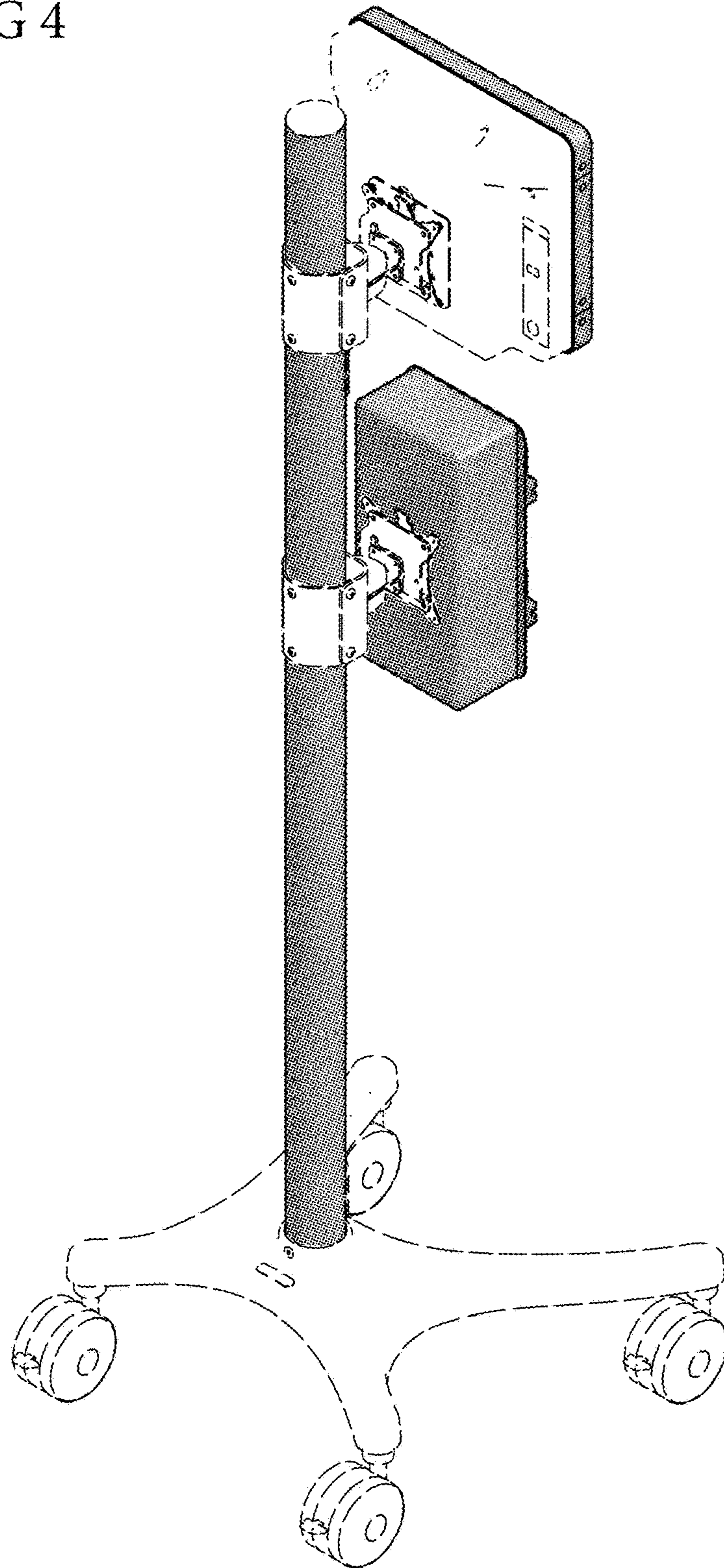


FIG 5

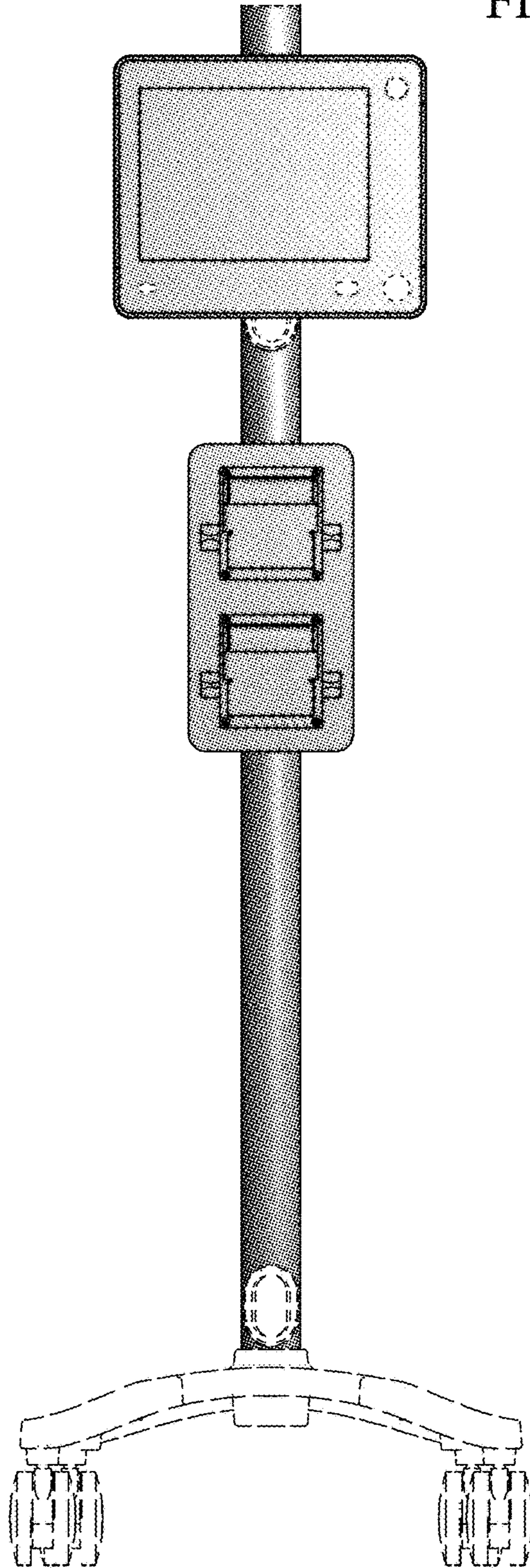


FIG 6

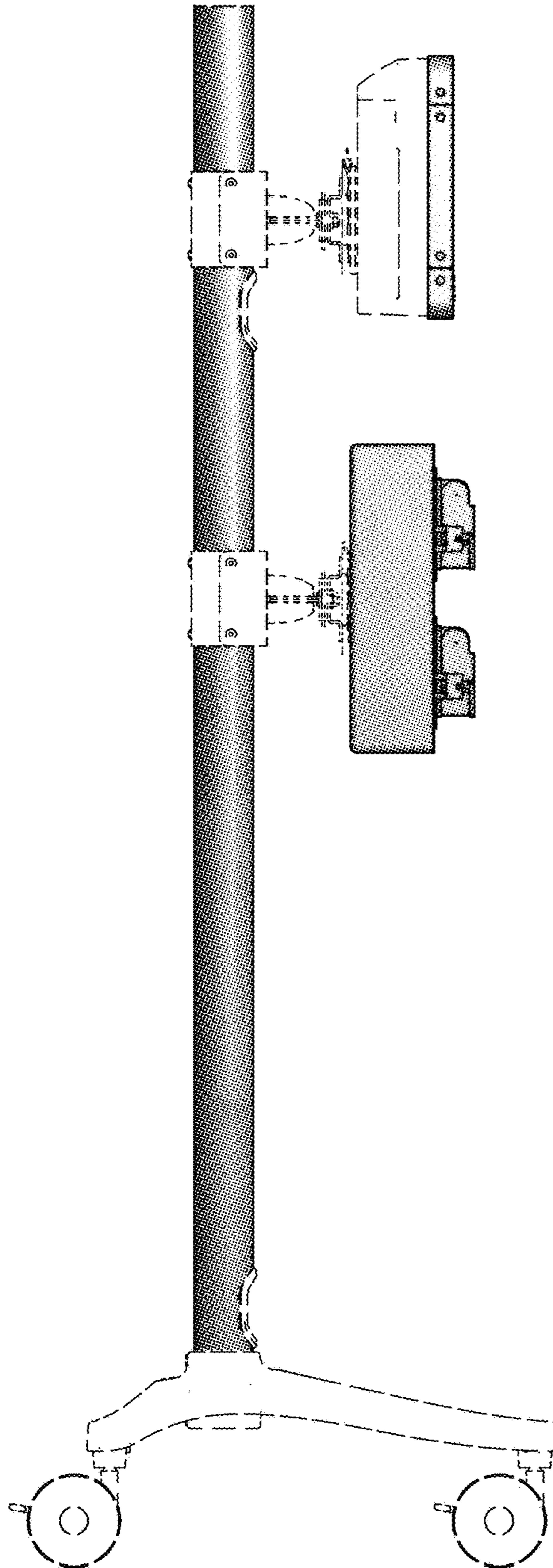


FIG 7

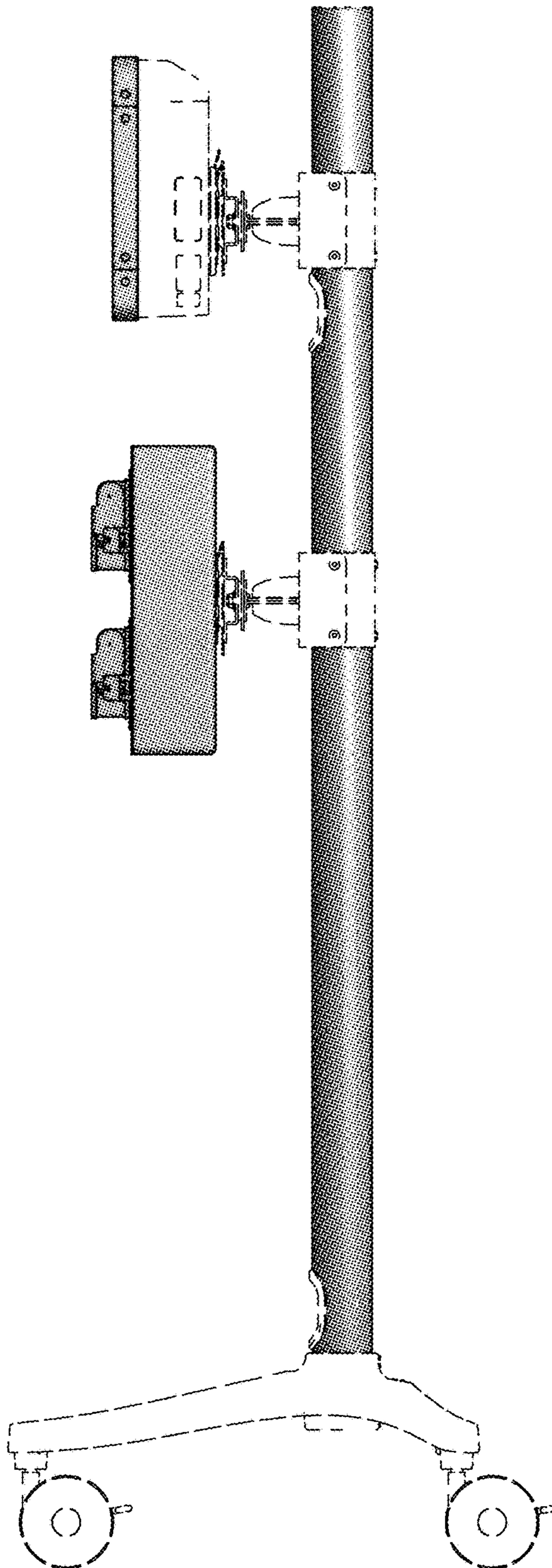


FIG 8

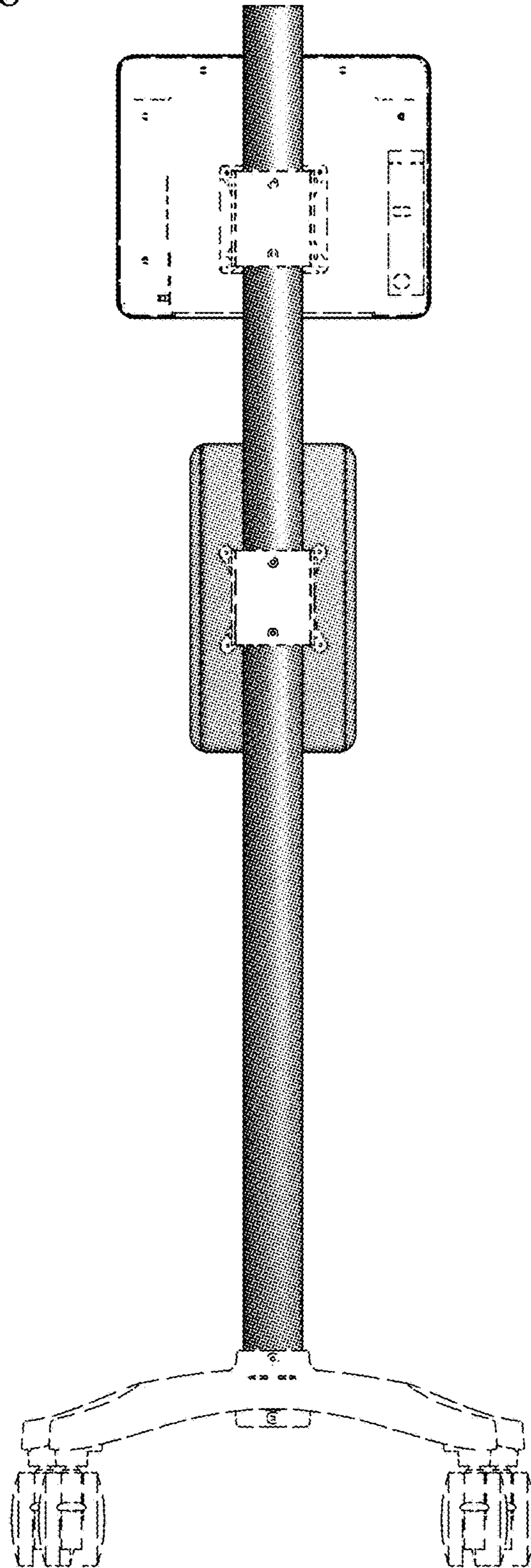
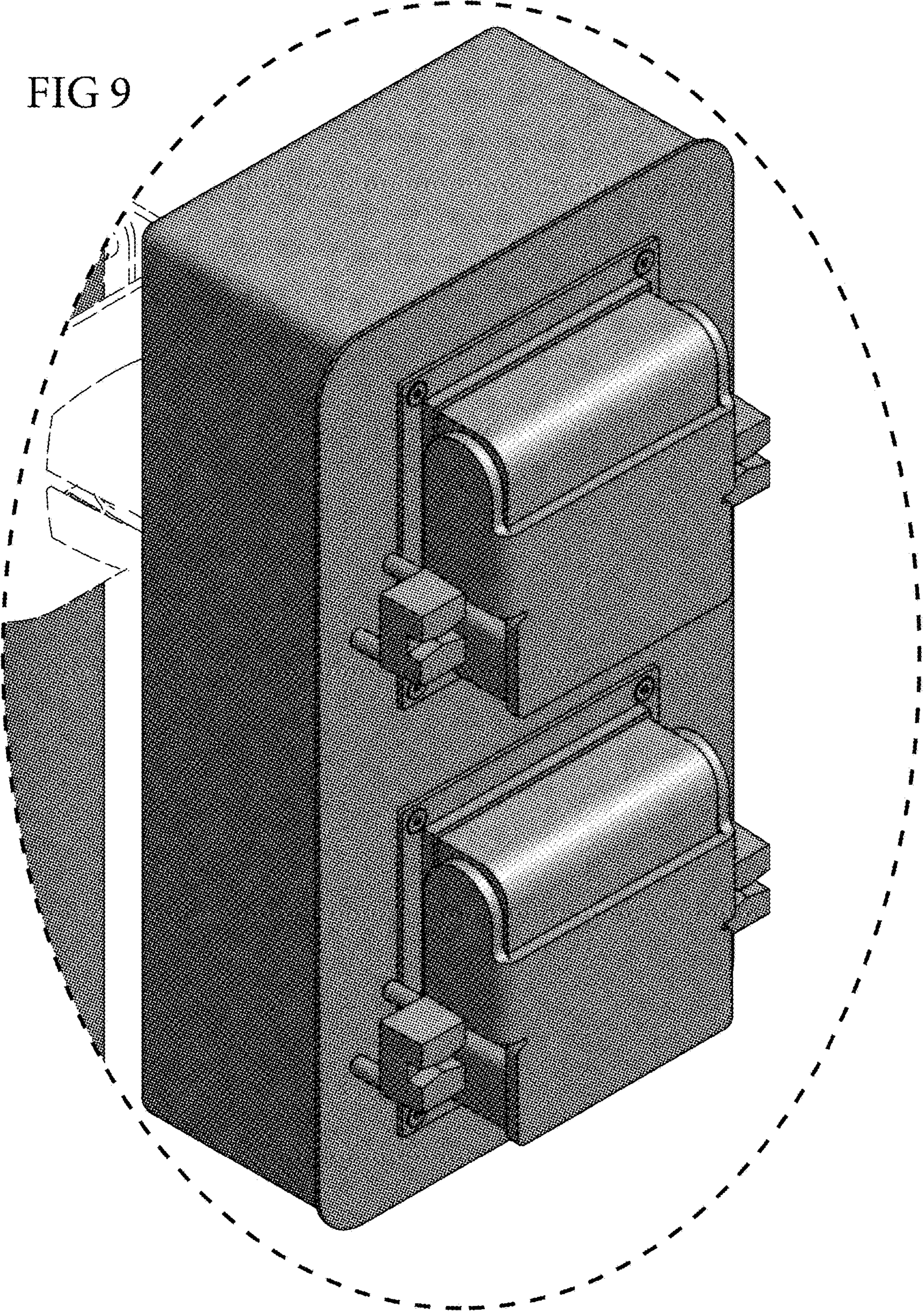


FIG 9



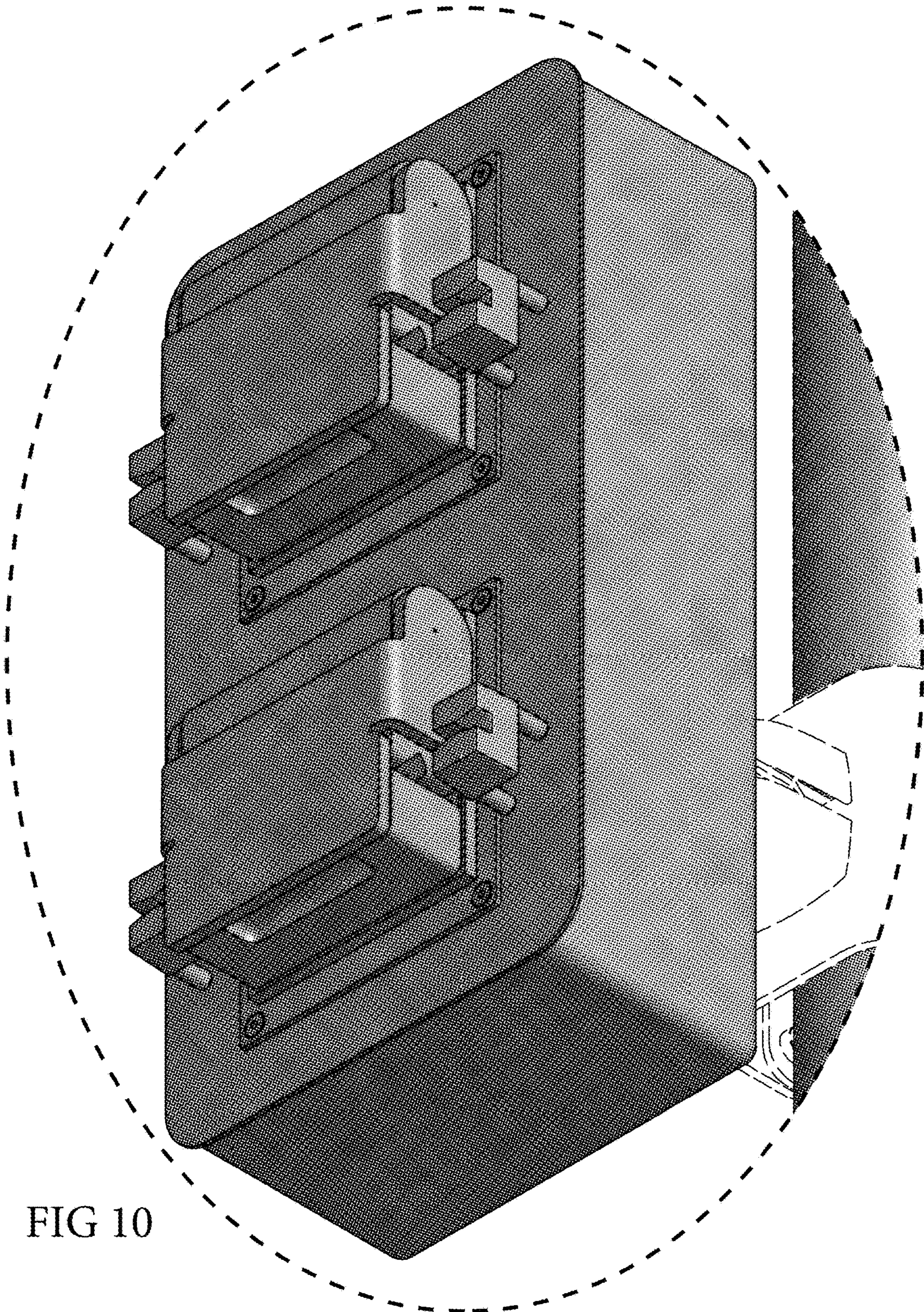


FIG 10