



US00D852957S

(12) **United States Design Patent** (10) **Patent No.:** **US D852,957 S**
Horan et al. (45) **Date of Patent:** **** Jul. 2, 2019**

(54) **TIBIAL PLATEAU LEVELING OSTEOTOMY PLATE**

(56)

References Cited

U.S. PATENT DOCUMENTS

- (71) Applicant: **DePuy Synthes Products, Inc.**,
Raynham, MA (US)
- (72) Inventors: **Timothy J. Horan**, Royersford, PA
(US); **Christopher H. Scholl**, West
Chester, PA (US); **Daneen K.**
Touhalisky, Downingtown, PA (US)
- (73) Assignee: **DePuy Synthes Products, Inc.**,
Raynham, MA (US)
- (**) Term: **15 Years**
- (21) Appl. No.: **29/656,918**
- (22) Filed: **Jul. 17, 2018**

D443,060	S	*	5/2001	Benirschke	D24/155
D458,684	S	*	6/2002	Bryant	D24/155
D463,559	S	*	9/2002	Bryant	D24/155
D469,533	S	*	1/2003	Bryant	D24/155
D469,874	S	*	2/2003	Bryant	D24/155
D469,875	S	*	2/2003	Bryant	D24/155
D480,141	S	*	9/2003	Benirschke	D24/155
7,655,029	B2	*	2/2010	Niederberger	A61B 17/8061 606/280
D622,853	S	*	8/2010	Raven, III	D24/155
7,846,189	B2	*	12/2010	Winqvist	A61B 17/8085 606/280
D630,750	S	*	1/2011	Graham	D24/155
8,740,905	B2	*	6/2014	Price	A61B 17/1728 606/71

* cited by examiner

Primary Examiner — Charles D Hanson

(74) *Attorney, Agent, or Firm* — Fay Kaplun & Marcin, LLP

Related U.S. Application Data

(63) Continuation of application No. 16/031,792, filed on Jul. 10, 2018, which is a continuation of application No. 13/538,407, filed on Jun. 29, 2012, which is a continuation of application No. 11/361,245, filed on Feb. 24, 2006, now Pat. No. 8,523,921.

(51) **LOC (11) Cl.** **24-03**

(52) **U.S. Cl.**
USPC **D24/155**

(58) **Field of Classification Search**
USPC D24/155

CPC A61B 17/8061; A61B 17/7059; A61B 17/8052; A61B 17/8605; A61B 17/8085; A61B 17/809; A61B 17/8014; A61B 17/8033; A61B 17/8004; A61B 17/888; A61B 17/842; A61B 17/8023; A61B 17/8009; A61B 17/86; A61B 17/1739; A61B 17/8066; A61B 17/1671; A61B 17/1757; A61B 17/8071; A61B 17/176; A61B 2017/1782; A61B 2017/1775

See application file for complete search history.

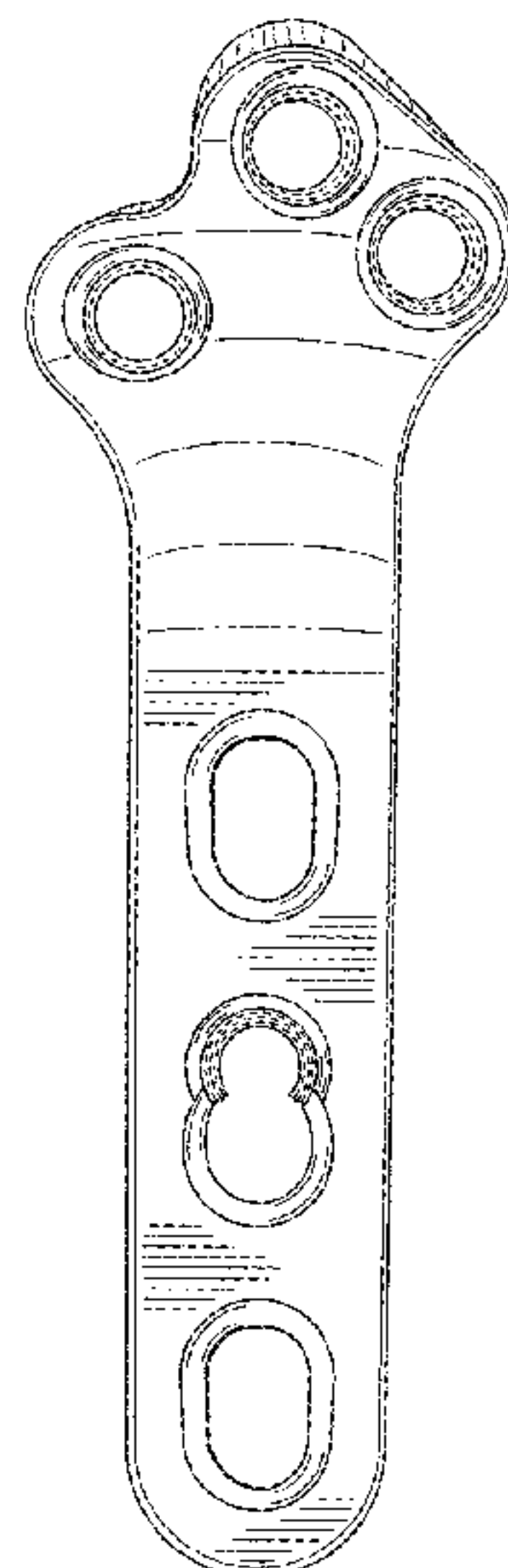
(57) **CLAIM**

The ornamental design for a tibial plateau leveling osteotomy plate, as shown and described.

DESCRIPTION

FIG. 1 is a top side view of a tibial plateau leveling osteotomy plate showing our new design; FIG. 2 is a right left side view thereof; FIG. 3 is a left side view thereof; FIG. 4 is a bone facing side view thereof; FIG. 5 is a perspective bone facing side view thereof; and, FIG. 6 is a perspective tope side view thereof. In the drawings, the broken lines are shown for the purpose of illustrating environment only and form no part of the claimed design.

1 Claim, 3 Drawing Sheets



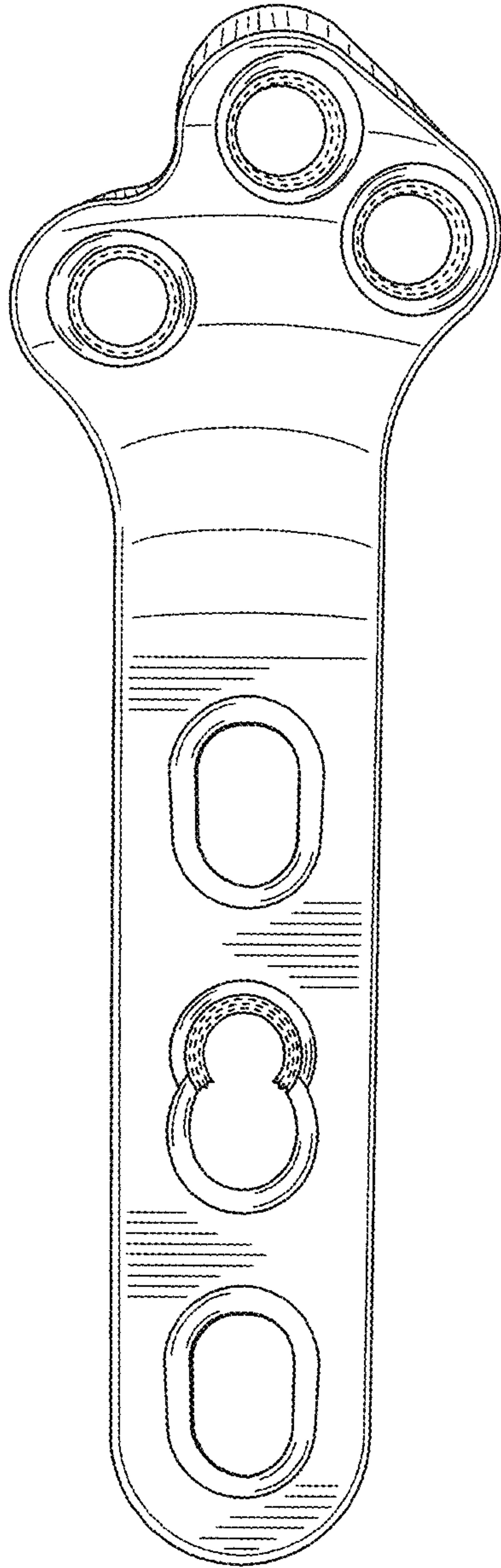


FIG. 1



FIG. 2

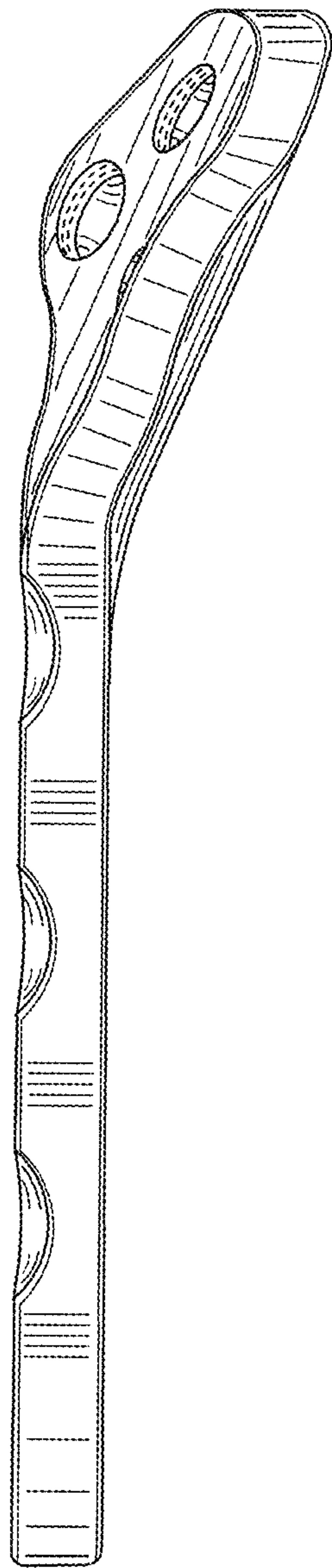


FIG. 3

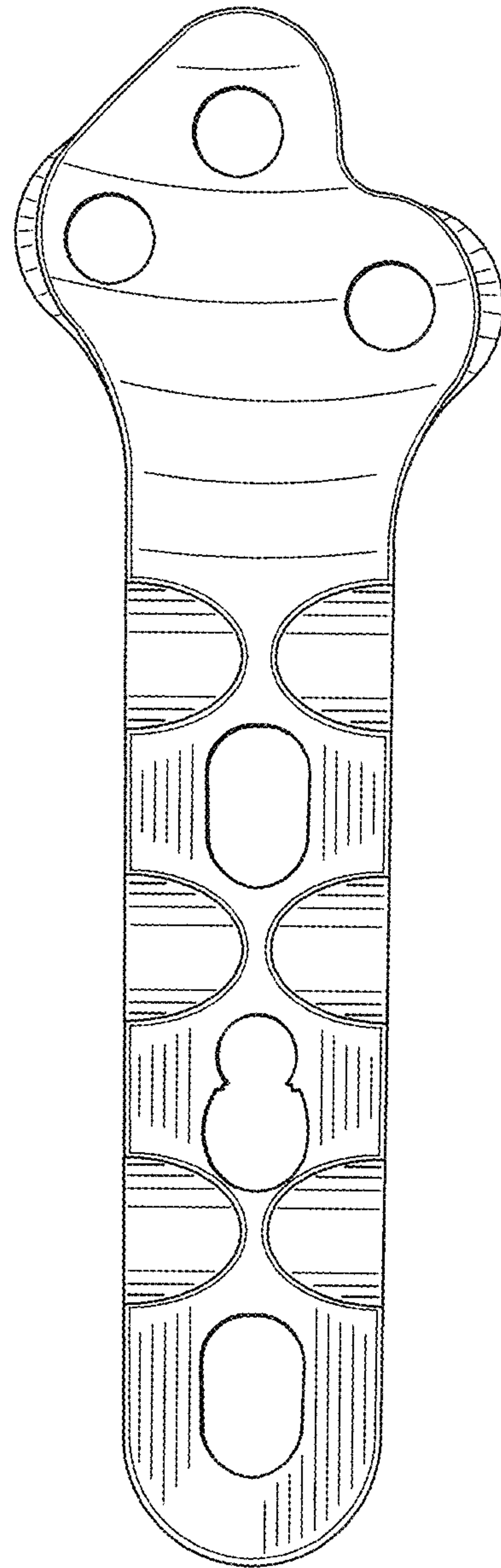


FIG. 4

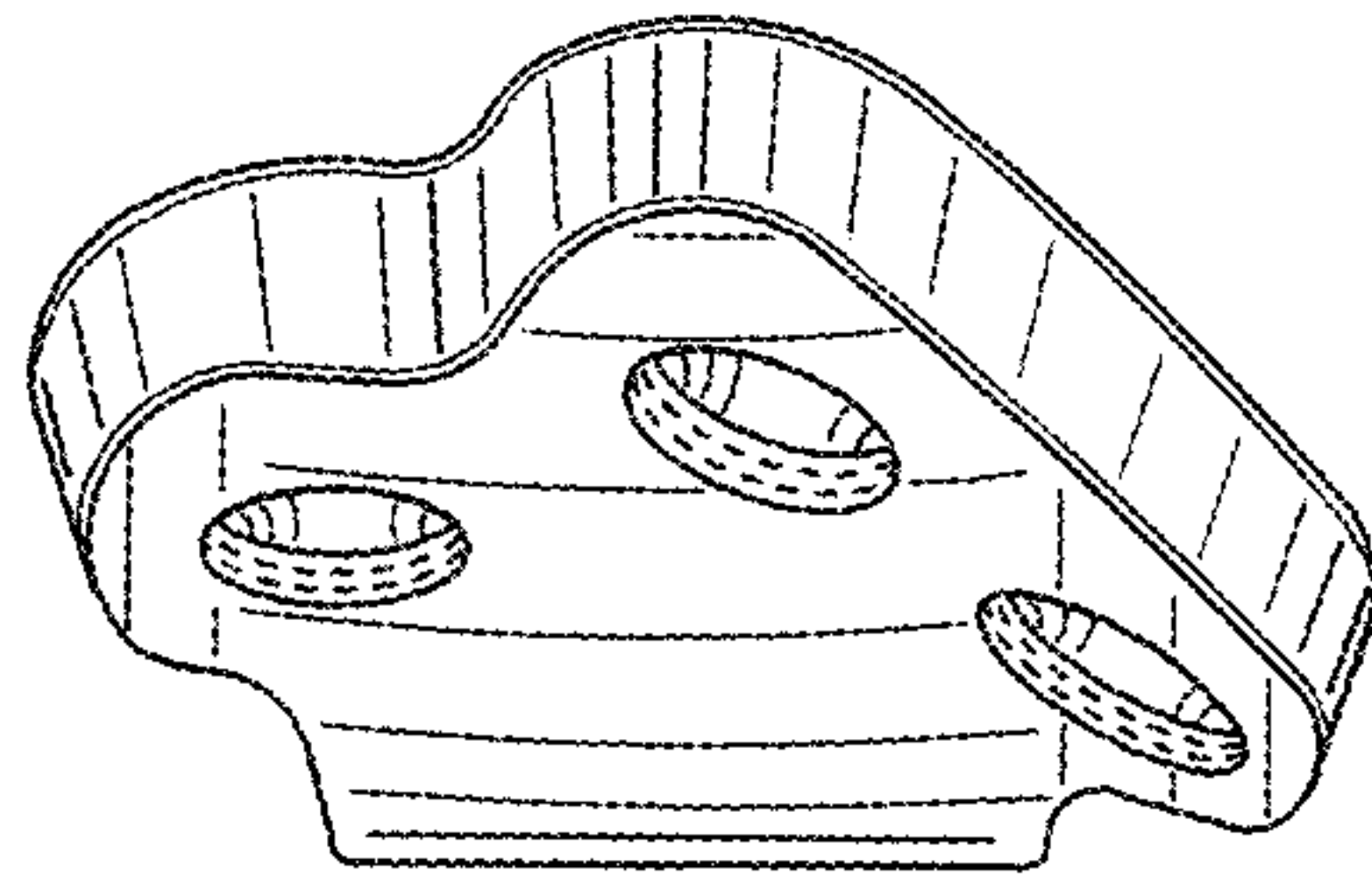


FIG. 5

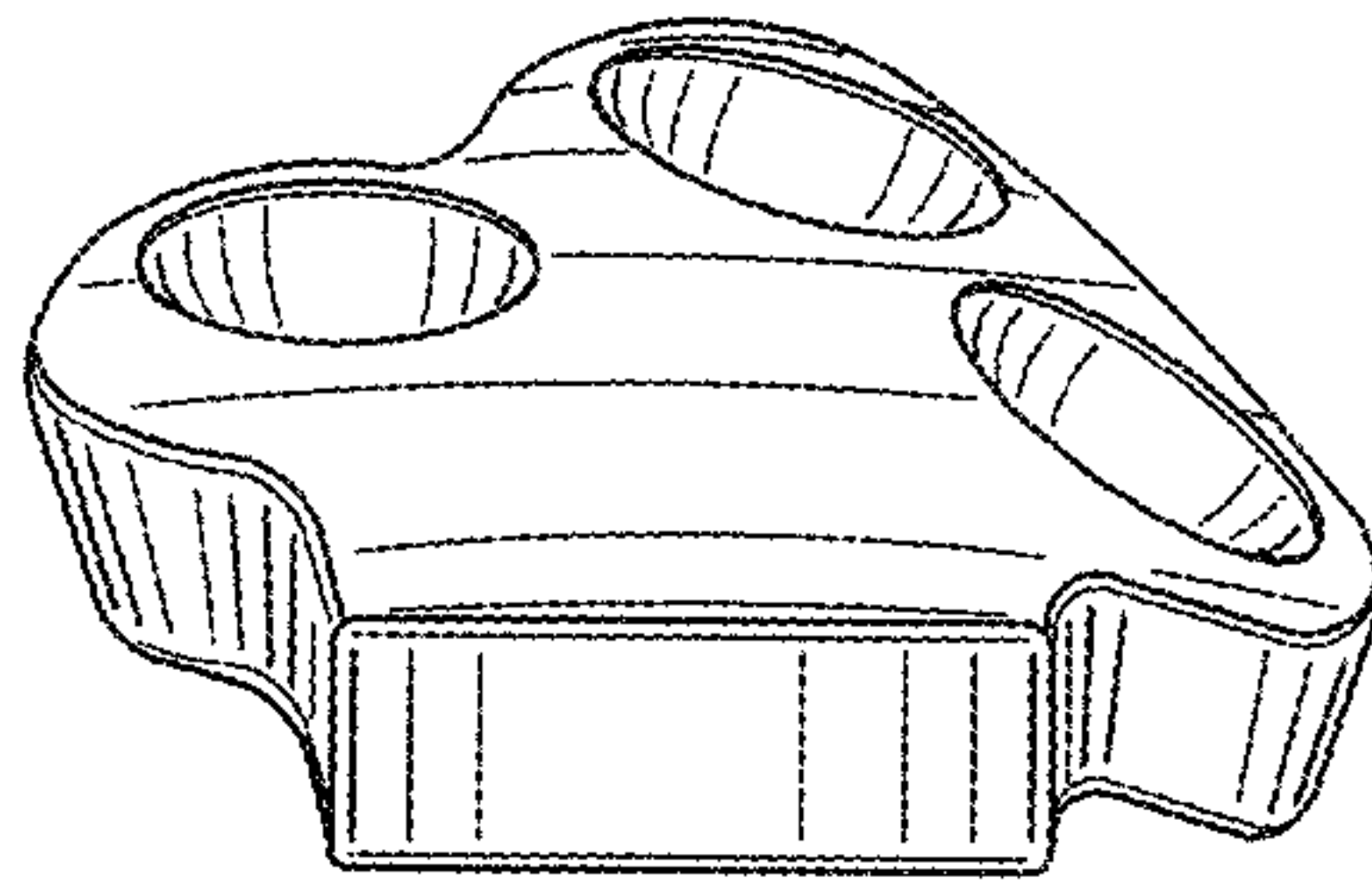


FIG. 6