



US00D852955S

(12) **United States Design Patent** (10) **Patent No.:** **US D852,955 S**
Pfeffer et al. (45) **Date of Patent:** **** Jul. 2, 2019**

(54) **SHAFT ATTACHABLE MEDICAL INSTRUMENT**

(71) Applicant: **KARL STORZ GmbH & Co. KG**, Tuttlingen (DE)

(72) Inventors: **Marian Pfeffer**, Tuttlingen (DE); **Frank Doll**, Tuttlingen (DE); **Daniel Kaercher**, Tuttlingen (DE); **Yann Thouément**, Guyancourt (FR); **Régis Besse**, Guyancourt (FR)

(73) Assignee: **KARL STORZ SE & Co. KG**, Tuttlingen (DE)

(**) Term: **15 Years**

(21) Appl. No.: **29/618,822**

(22) Filed: **Sep. 25, 2017**

(30) **Foreign Application Priority Data**

Mar. 23, 2017 (EM) 003819564-0007

(51) **LOC (11) Cl.** **24-02**

(52) **U.S. Cl.**
USPC **D24/146**

(58) **Field of Classification Search**

USPC D24/127, 133, 135, 144, 146, 147, 184, D24/214; 606/29, 32, 33, 47, 48, 50, 81, 606/82, 171; 600/414; 604/523; D8/69, D8/70, 80, 307, 321, 333, 343
CPC A61B 17/32002; A61B 18/1442; A61B 18/14; A61B 2090/0813; A61B 17/1613; A61B 17/1617; A61B 2017/0023; A61B 2017/00455; A61B 17/3417; A61B 18/22; A61B 2010/0208; A61B 2017/00743; A61B 2017/00747; A61B 2017/00752; A61B 2017/00761; A61B 2017/00774; A61F 9/00763; A61F 2002/30784; A61F 2230/0004; A61F 2230/0069; A61M 2039/0282; A61M 39/0247; A61M 1/0039; A61M 2210/0693; A61M 25/02; A01G 3/02

See application file for complete search history.

(56) **References Cited**

U.S. PATENT DOCUMENTS

6,090,129 A * 7/2000 Ouchi A61B 17/221
606/113
D615,254 S * 5/2010 Manheimer, III D30/158
D755,599 S * 5/2016 Payne D8/57
D790,935 S * 7/2017 Wu D8/5

(Continued)

Primary Examiner — Cathron C Brooks

Assistant Examiner — Samantha Q Lawrence

(74) *Attorney, Agent, or Firm* — Muncy, Geissler, Olds & Lowe, P.C.

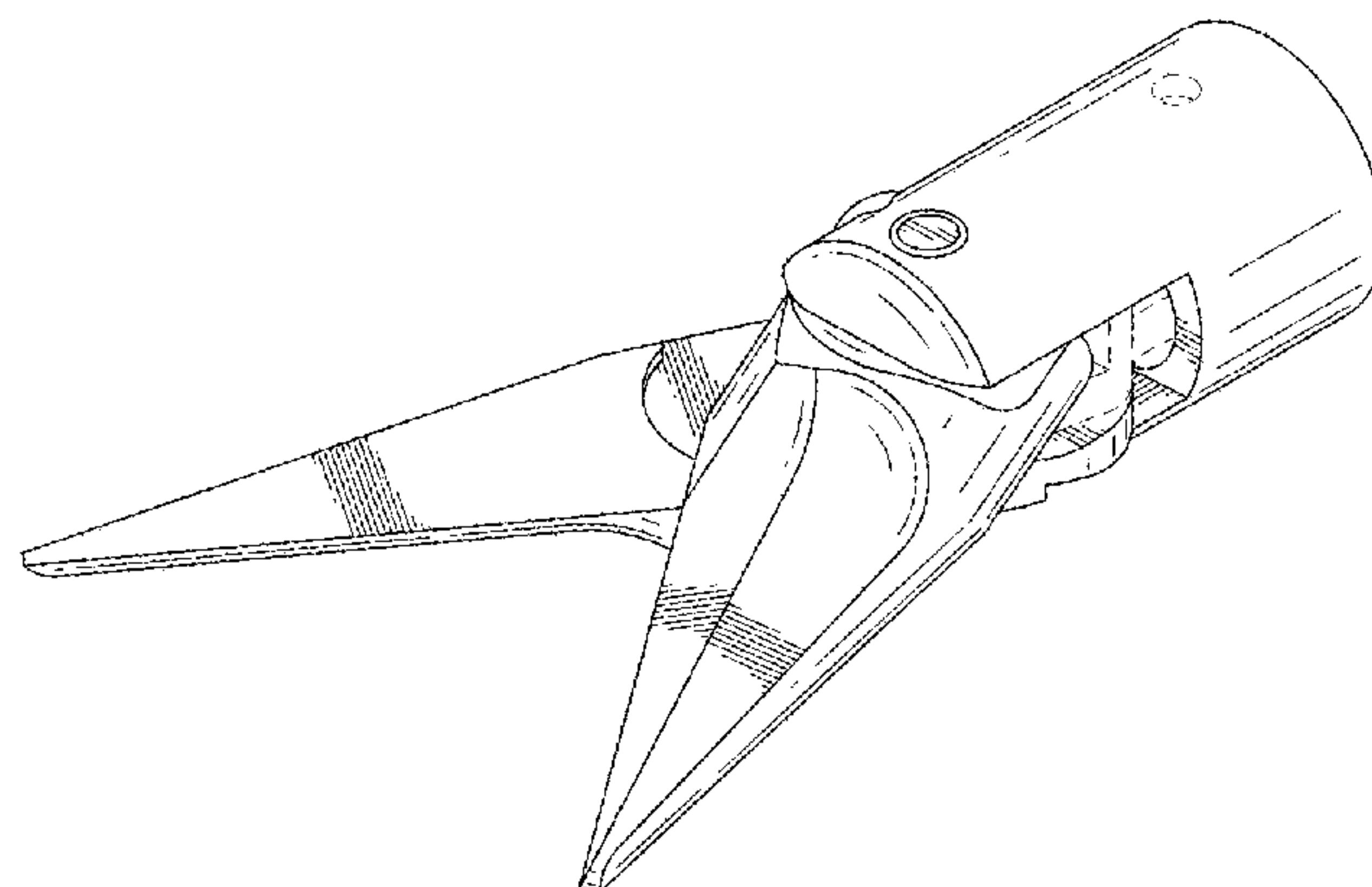
(57) **CLAIM**

The ornamental design for a shaft attachable medical instrument, as shown and described.

DESCRIPTION

FIG. 1 is a front perspective view of a shaft attachable medical instrument according to the present invention. FIG. 2 is a front view of the shaft attachable medical instrument of FIG. 1. FIG. 3 is a rear view of the shaft attachable medical instrument of FIG. 1. FIG. 4 is a left side view of the shaft attachable medical instrument of FIG. 1. FIG. 5 is a right side view of the shaft attachable medical instrument of FIG. 1. FIG. 6 is a top view of the shaft attachable medical instrument of FIG. 1; and, FIG. 7 is a bottom view of the shaft attachable medical instrument of FIG. 1. The broken lines shown in FIGS. 1-7 illustrate portions of the shaft attachable medical instrument that form no part of the claimed design.

1 Claim, 7 Drawing Sheets



(56)

References Cited

U.S. PATENT DOCUMENTS

D810,524 S * 2/2018 Hsu D8/5
D816,450 S * 5/2018 Breuer D8/57
2008/0301951 A1* 12/2008 Lai A01G 3/02
30/254
2016/0150737 A1* 6/2016 Poehlmann A01G 3/083
30/143
2016/0271813 A1* 9/2016 Heine B26B 13/28

* cited by examiner

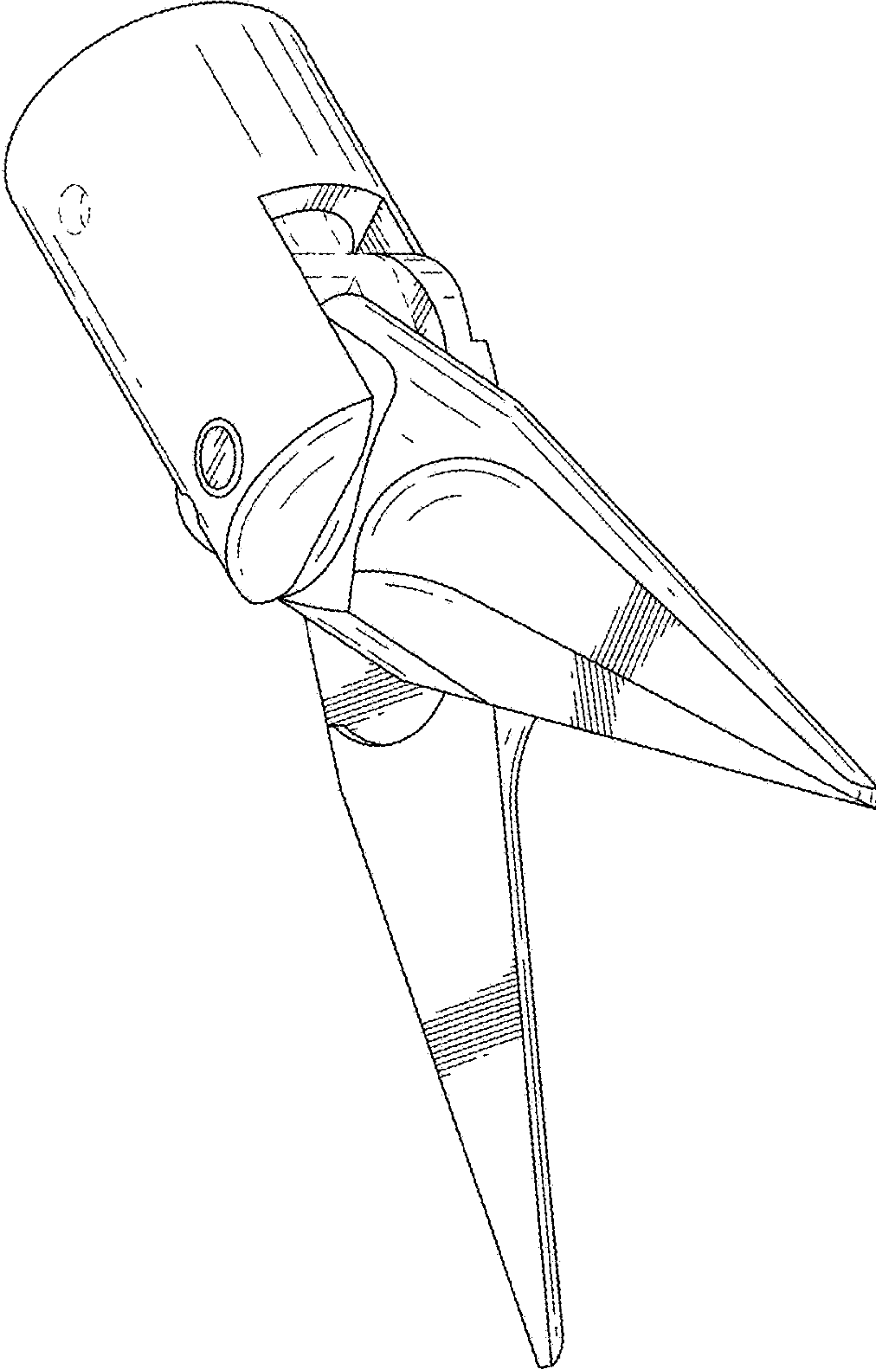


FIG.1

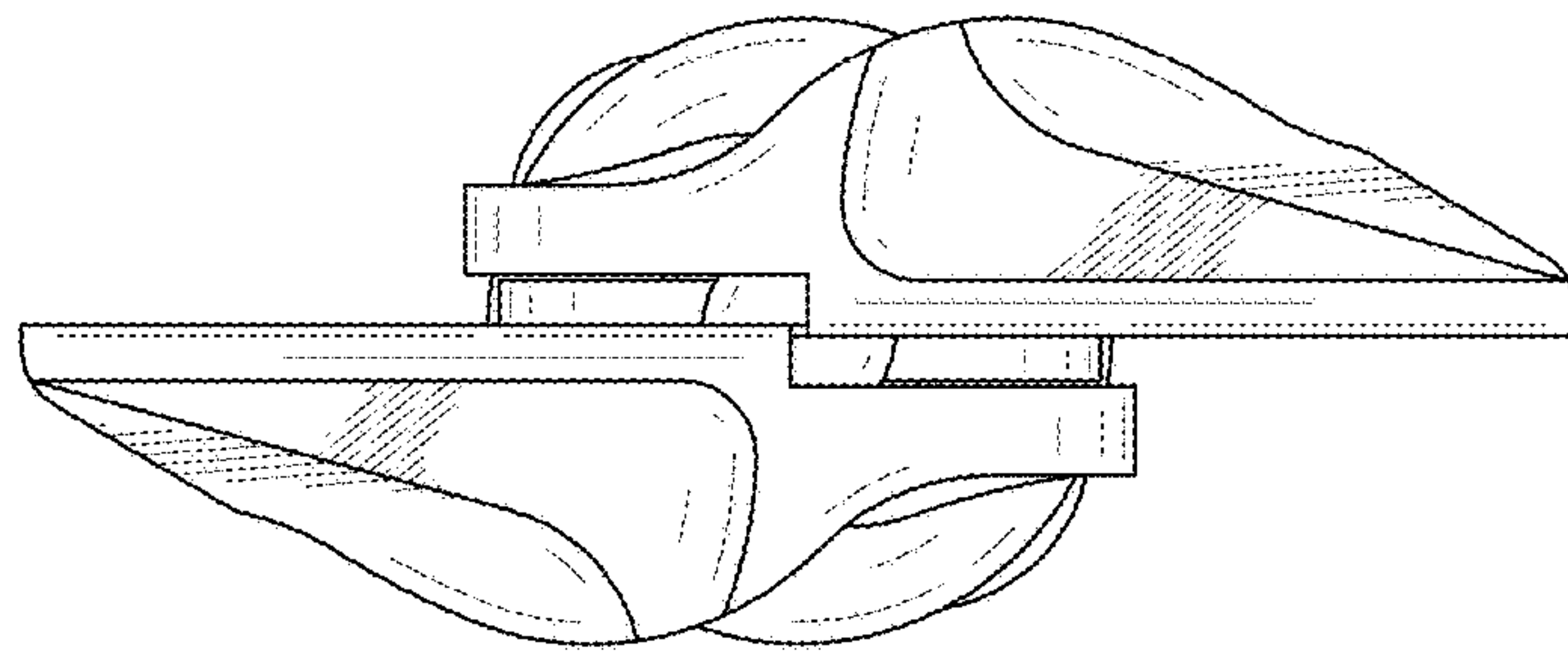


FIG.2

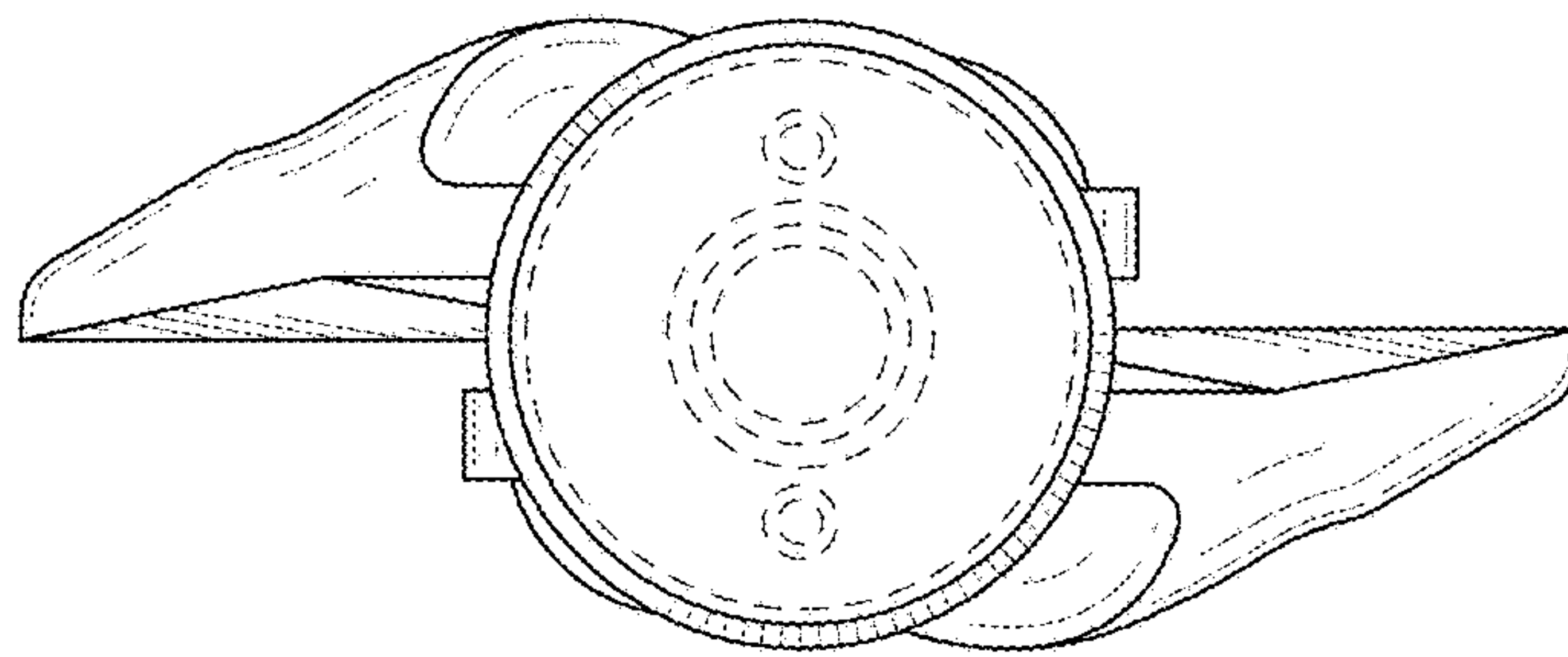


FIG.3

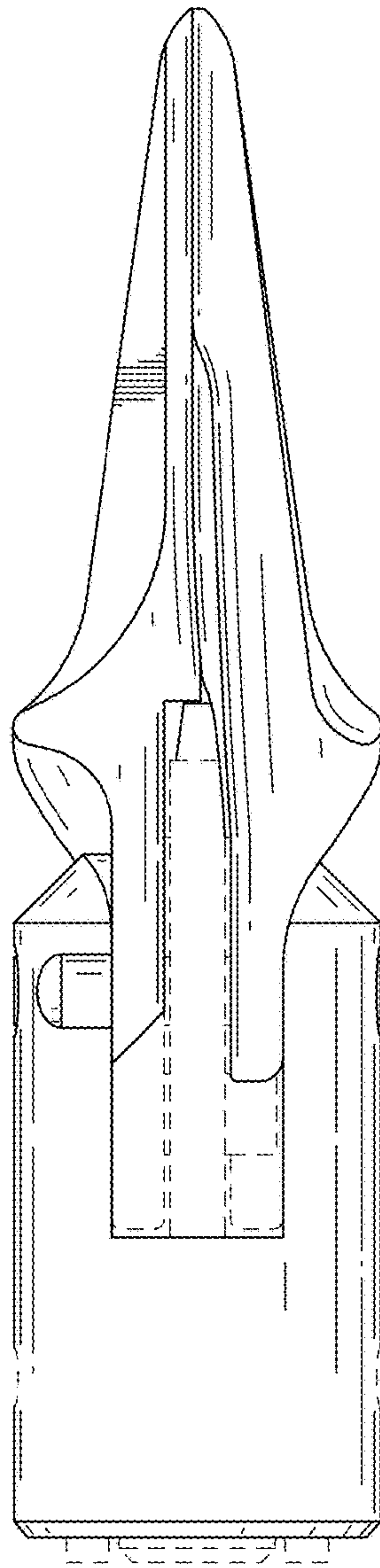


FIG.4

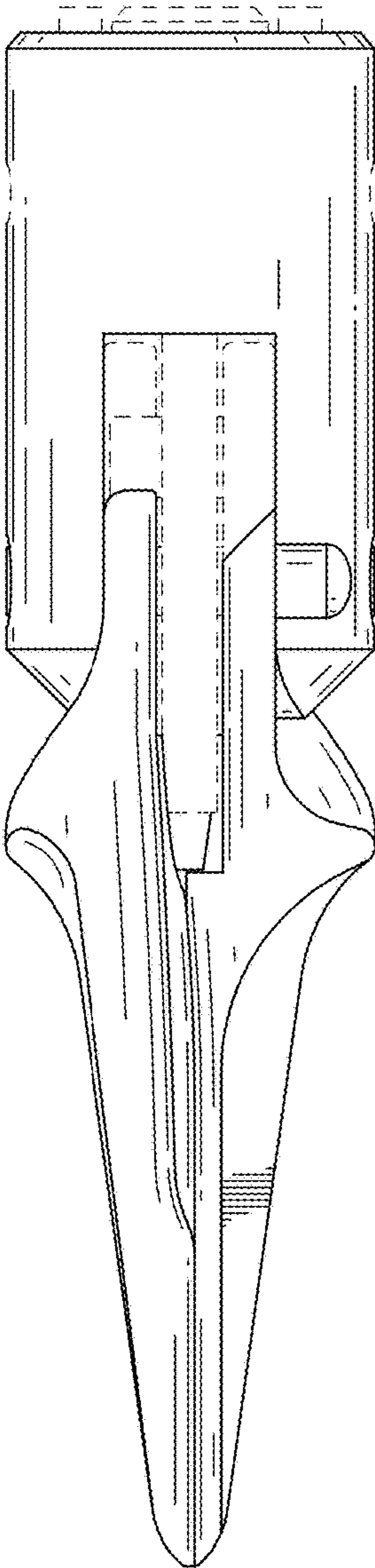


FIG.5

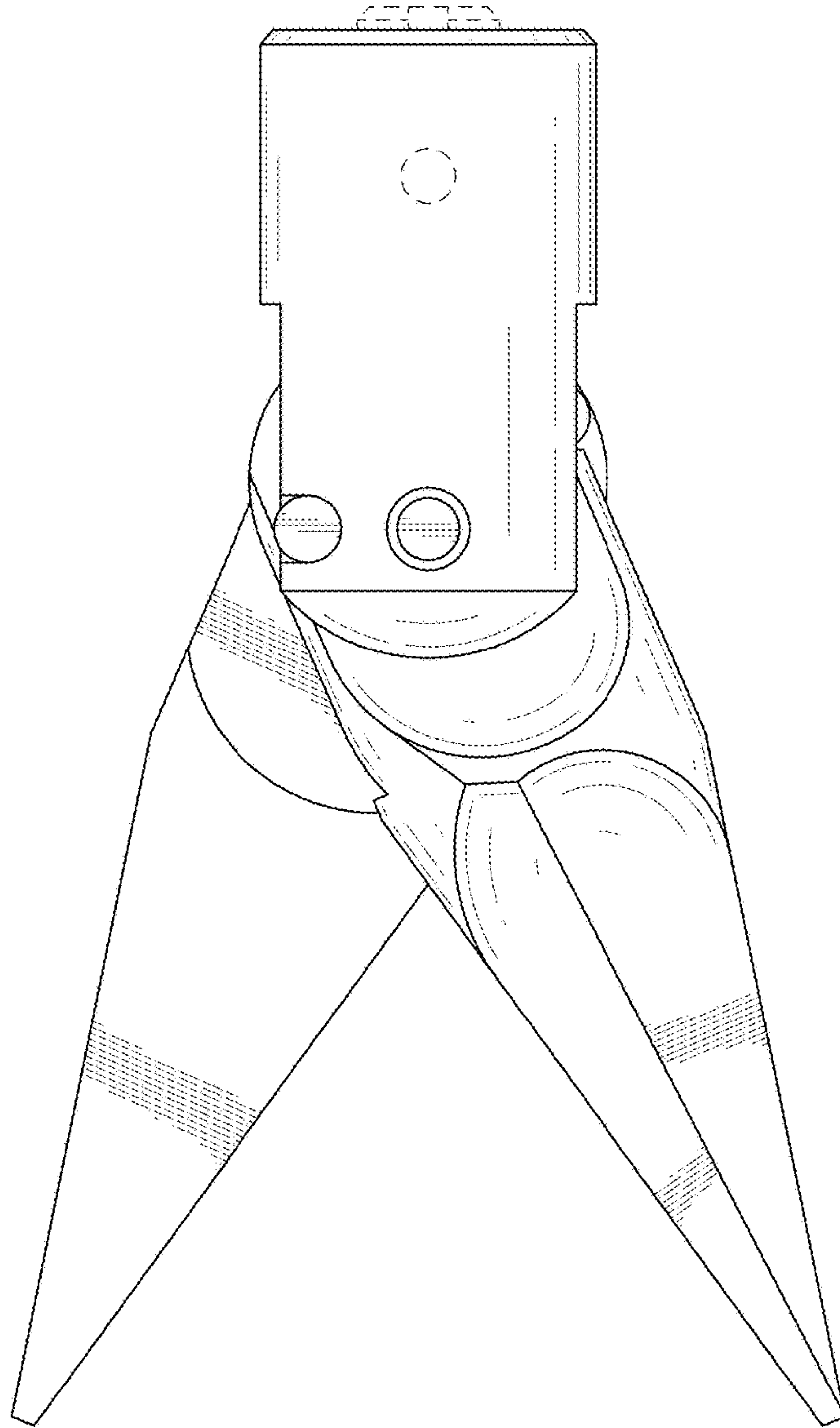


FIG.6

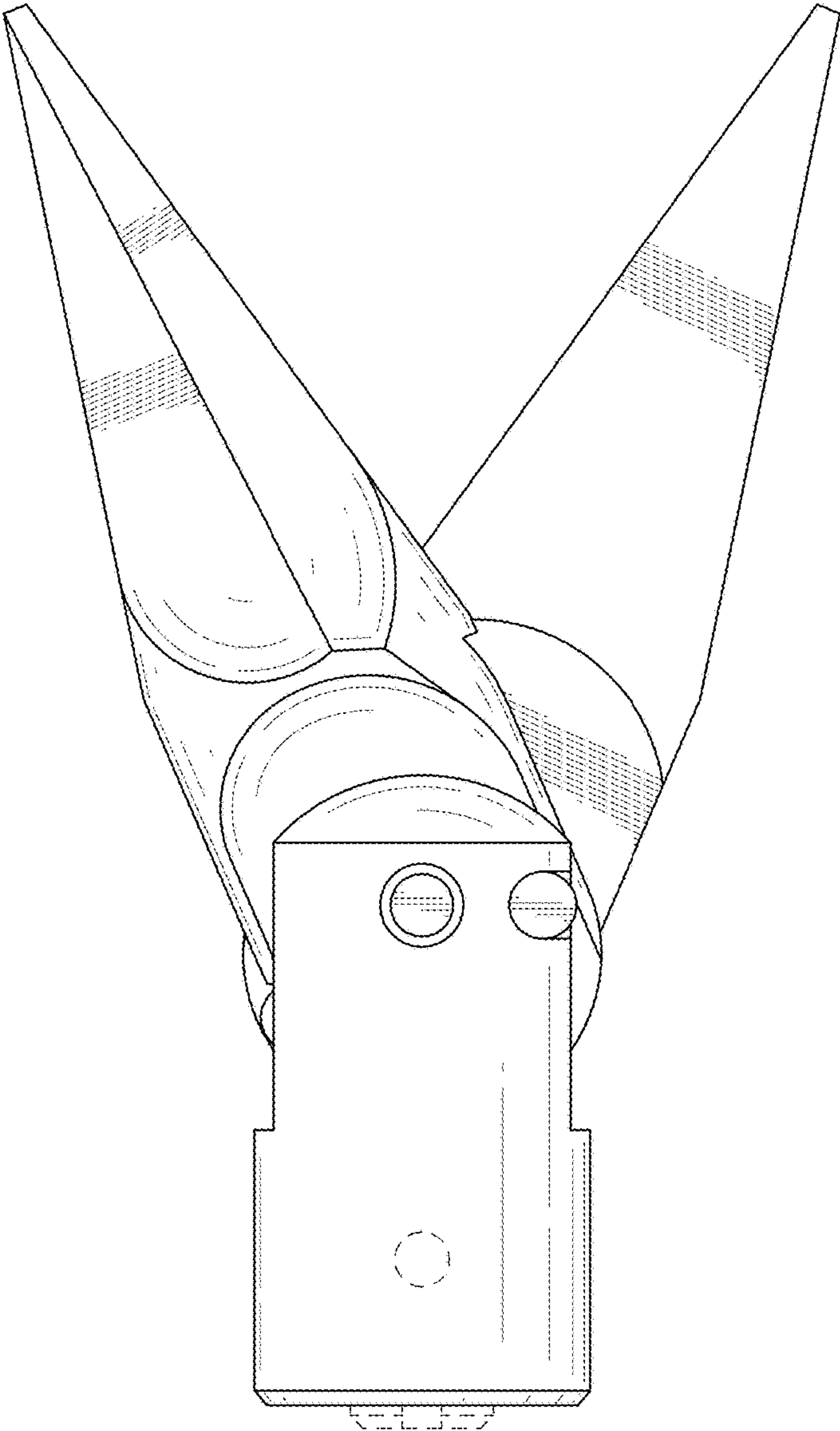


FIG.7