



US00D852952S

(12) **United States Design Patent** (10) **Patent No.:** **US D852,952 S**
Alexander et al. (45) **Date of Patent:** **** Jul. 2, 2019**

(54) **NASAL DILATOR**

(71) Applicant: **Simplicity, LLC**, Springville, UT (US)

(72) Inventors: **Ian J. Alexander**, Boeme, TX (US);
Brian D. Owens, Plano, TX (US)

(73) Assignee: **SIMPLICITY, LLC**, Springville, UT (US)

(**) Term: **15 Years**

(21) Appl. No.: **29/615,047**

(22) Filed: **Aug. 25, 2017**

Related U.S. Application Data

(62) Division of application No. 29/496,118, filed on Jul. 9, 2014, now Pat. No. Des. 772,408.

(51) **LOC (11) Cl.** **24-02**

(52) **U.S. Cl.**
USPC **D24/135**

(58) **Field of Classification Search**

USPC D24/135, 112, 130, 133, 140, 147, 149;
600/200, 202, 184, 220-227, 201, 203,
600/210-218; 606/191-200; D28/57
(Continued)

(56) **References Cited**

U.S. PATENT DOCUMENTS

D247,512 S 3/1978 Sandler
D275,227 S 8/1984 Garner
(Continued)

Primary Examiner — Wan Laymon

Assistant Examiner — Mark Booker

(74) *Attorney, Agent, or Firm* — Goodhue, Coleman & Owens, P.C.

(57) **CLAIM**

The ornamental design for a nasal dilator, as shown and described.

DESCRIPTION

FIG. 1 is a perspective view of a nasal dilator showing our new design;

FIG. 2 is an enlarged view of the left side of the nasal dilator shown in FIG. 1 taken along line 2;

FIG. 3 is an enlarged view of the right side of the nasal dilator shown in FIG. 1 taken along line 3;

FIG. 4 is a front view of the nasal dilator shown in FIG. 1;

FIG. 5 is an enlarged view of the left side of the nasal dilator shown in FIG. 4 taken along line 5;

FIG. 6 is an enlarged view of the right side of the nasal dilator shown in FIG. 4 taken along line 6;

FIG. 7 is a back view of the nasal dilator shown in FIG. 1;

FIG. 8 is an enlarged view of the left side of the nasal dilator shown in FIG. 7 taken along line 8;

FIG. 9 is an enlarged view of the right side of the nasal dilator shown in FIG. 7 taken along line 9;

FIG. 10 is a top view of the nasal dilator shown in FIG. 1;

FIG. 11 is an enlarged view of the left side of the nasal dilator shown in FIG. 10 taken along line 11;

FIG. 12 is an enlarged view of the right side of the nasal dilator shown in FIG. 10 taken along line 12;

FIG. 13 is an enlarged end view of the left side of the nasal dilator shown in FIG. 1;

FIG. 14 is an enlarged end view of the right side of the nasal dilator shown in FIG. 1;

FIG. 15 is a perspective view of a nasal dilator showing another one of our new designs;

FIG. 16 is an enlarged view of the left side of the nasal dilator shown in FIG. 15 taken along line 16;

FIG. 17 is an enlarged view of the right side of the nasal dilator shown in FIG. 15 taken along line 17;

FIG. 18 is a front view of the nasal dilator shown in FIG. 15;

FIG. 19 is an enlarged view of the left side of the nasal dilator shown in FIG. 18 taken along line 19;

FIG. 20 is an enlarged view of the right side of the nasal dilator shown in FIG. 18 taken along line 20;

FIG. 21 is a back view of the nasal dilator shown in FIG. 15;

FIG. 22 is an enlarged view of the left side of the nasal dilator shown in FIG. 21 taken along line 22;

FIG. 23 is an enlarged view of the right side of the nasal dilator shown in FIG. 21 taken along line 23;

FIG. 24 is a top view of the nasal dilator shown in FIG. 15;

FIG. 25 is an enlarged view of the left side of the nasal dilator shown in FIG. 24 taken along line 25;

(Continued)

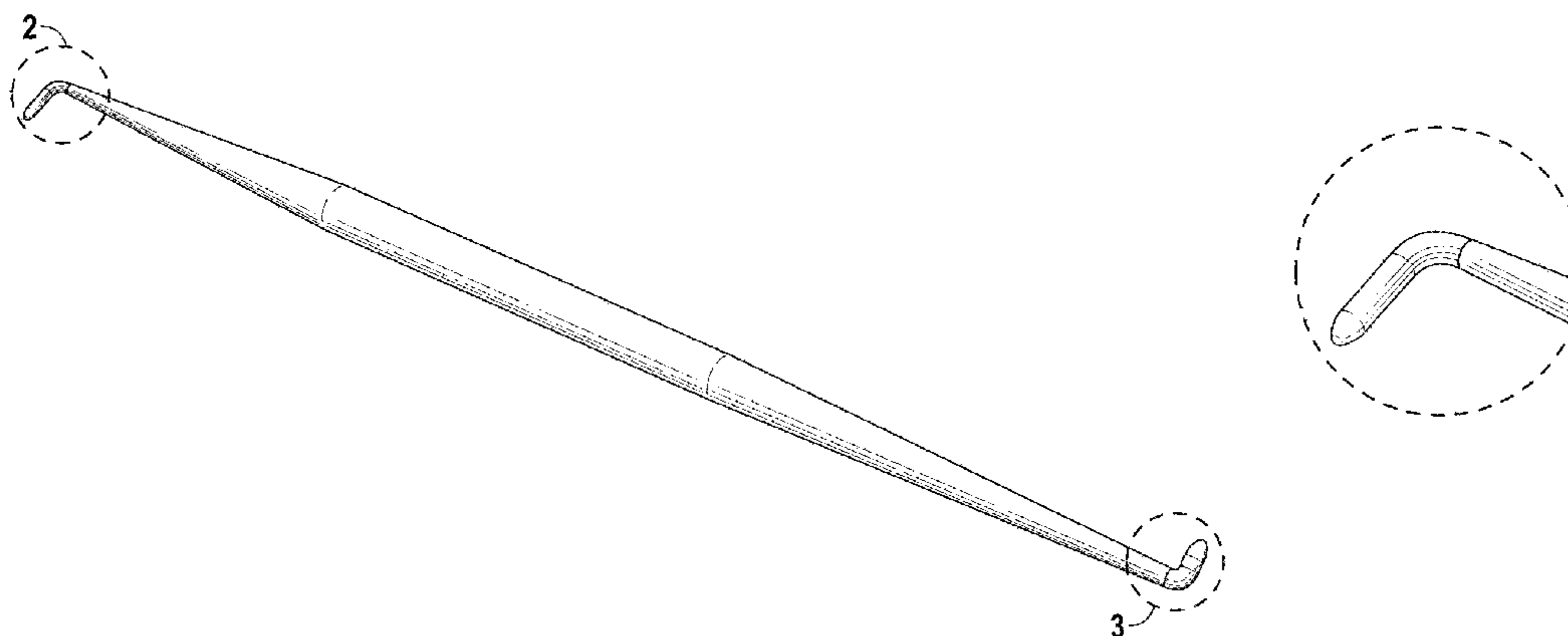


FIG. 26 is an enlarged view of the right side of the nasal dilator shown in FIG. 24 taken along line 26;
 FIG. 27 is an enlarged end view of the right side of the nasal dilator shown in FIG. 15;
 FIG. 28 is an enlarged end view of the left side of the nasal dilator shown in FIG. 15;
 FIG. 29 is a perspective view of a nasal dilator showing another one of our new designs;
 FIG. 30 is an enlarged view of the left side of the nasal dilator shown in FIG. 29 taken along line 30;
 FIG. 31 is an enlarged view of the right side of the nasal dilator shown in FIG. 29 taken along line 31;
 FIG. 32 is a front view of the nasal dilator shown in FIG. 29;
 FIG. 33 is an enlarged view of the left side of the nasal dilator shown in FIG. 32 taken along line 33;
 FIG. 34 is an enlarged view of the right side of the nasal dilator shown in FIG. 32 taken along line 34;
 FIG. 35 is a back view of the nasal dilator shown in FIG. 29;
 FIG. 36 is an enlarged view of the left side of the nasal dilator shown in FIG. 35 taken along line 36;
 FIG. 37 is an enlarged view of the right side of the nasal dilator shown in FIG. 35 taken along line 37;
 FIG. 38 is a top view of the nasal dilator shown in FIG. 29;
 FIG. 39 is an enlarged view of the left side of the nasal dilator shown in FIG. 38 taken along line 39;
 FIG. 40 is an enlarged view of the right side of the nasal dilator shown in FIG. 38 taken along line 40;
 FIG. 41 is an enlarged end view of the right side of the nasal dilator shown in FIG. 29;
 FIG. 42 is an enlarged end view of the left side of the nasal dilator shown in FIG. 29;
 FIG. 43 is a cross-sectional view of the left side of the nasal dilator shown in FIG. 30 taken along line 43-43; and,

FIG. 44 is a cross-sectional view of the right side of the nasal dilator shown in FIG. 31 taken along line 44-44.

1 Claim, 15 Drawing Sheets

(58) **Field of Classification Search**

CPC A61F 5/08; A61M 29/00; A61M 29/02;
 A61B 17/24; A61B 1/233; A61B
 2018/00327; A61B 5/6819

See application file for complete search history.

(56) **References Cited**

U.S. PATENT DOCUMENTS

6,010,520	A	1/2000	Pattison	
D485,358	S	1/2004	Woo	
D586,914	S	2/2009	DaSilva	
D588,747	S *	3/2009	Wittke-Kothe D24/149
D631,962	S	2/2011	Dorman	
D648,021	S	11/2011	Dorman	
D652,519	S	1/2012	Miles et al.	
D652,921	S	1/2012	Miles et al.	
D652,922	S	1/2012	Miles et al.	
D666,292	S	8/2012	Miles et al.	
D666,293	S	8/2012	Miles et al.	
D666,294	S	8/2012	Miles et al.	
D772,408	S *	11/2016	Alexander D24/135
D792,589	S *	7/2017	Alexander D24/135
D802,127	S *	11/2017	Alexander D24/135
D833,607	S *	11/2018	Aradono D24/135
D834,188	S *	11/2018	Alexander D24/135
2015/0066071	A1 *	3/2015	Alexander A61F 5/08 606/199

* cited by examiner

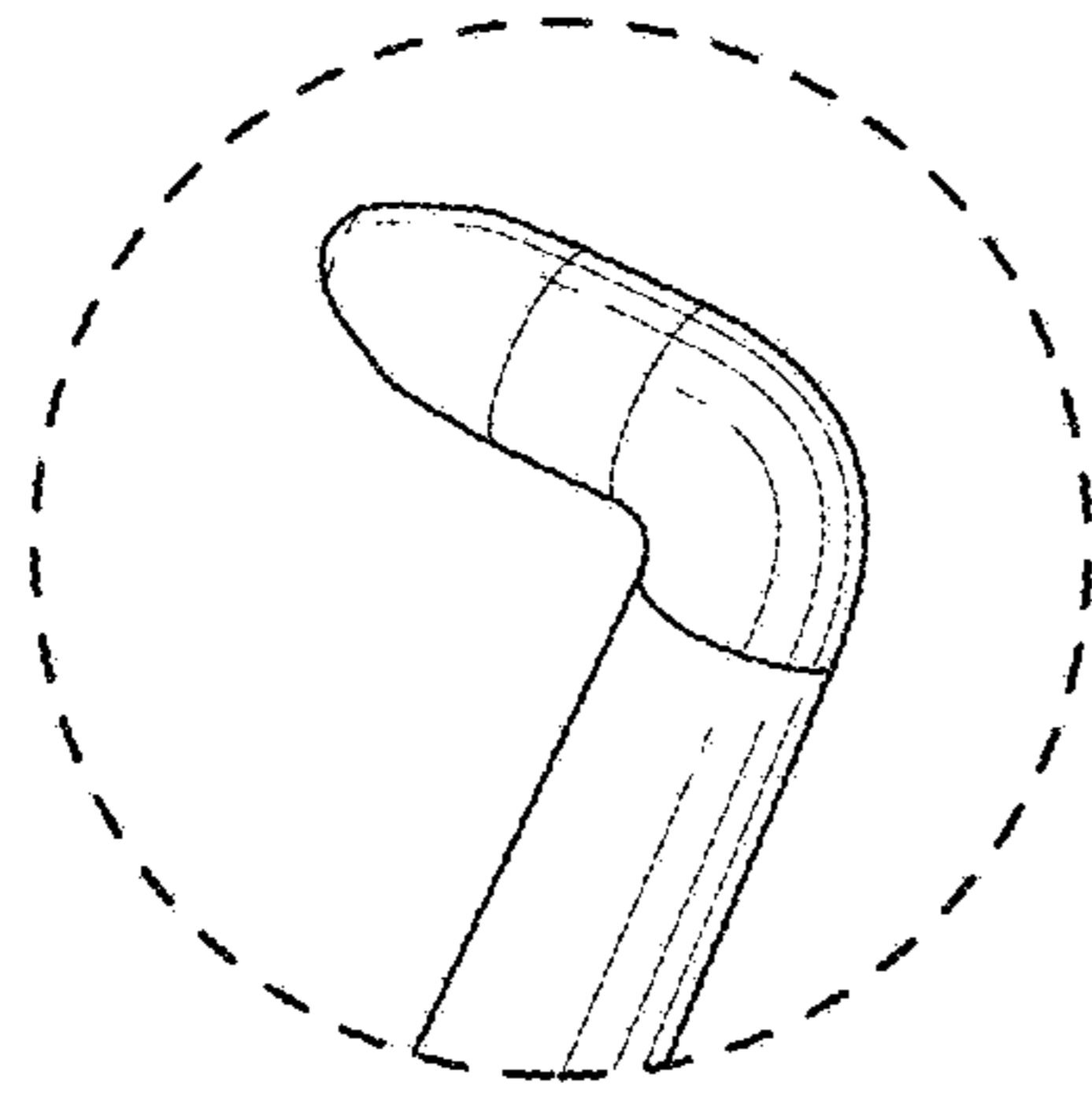


FIG. 3

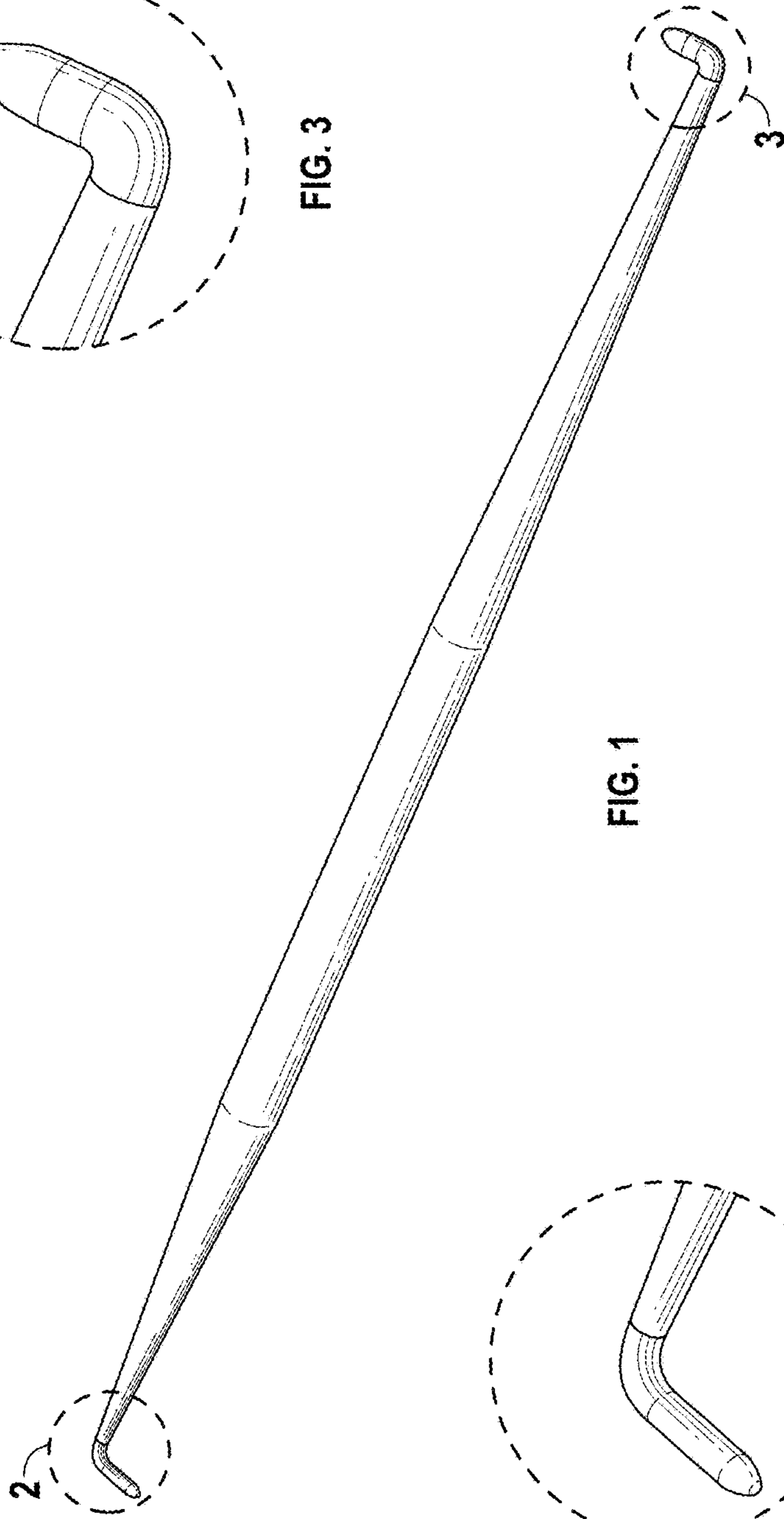


FIG. 1

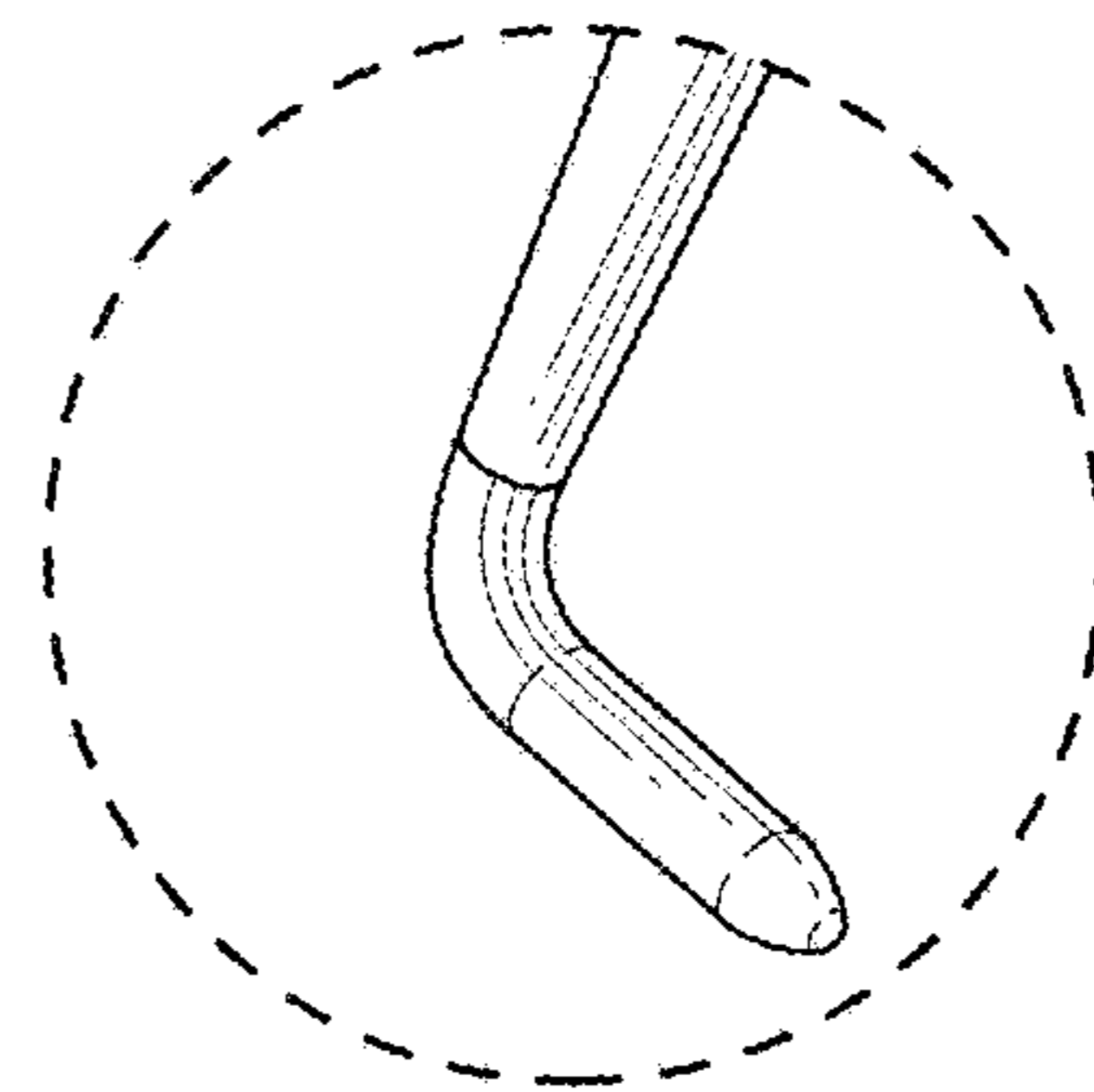


FIG. 2

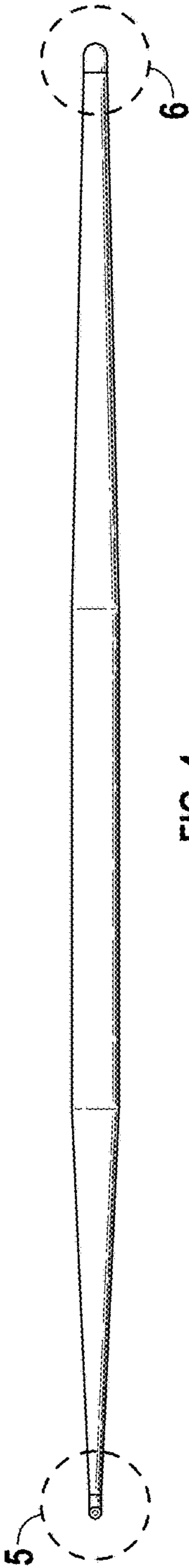


FIG. 4

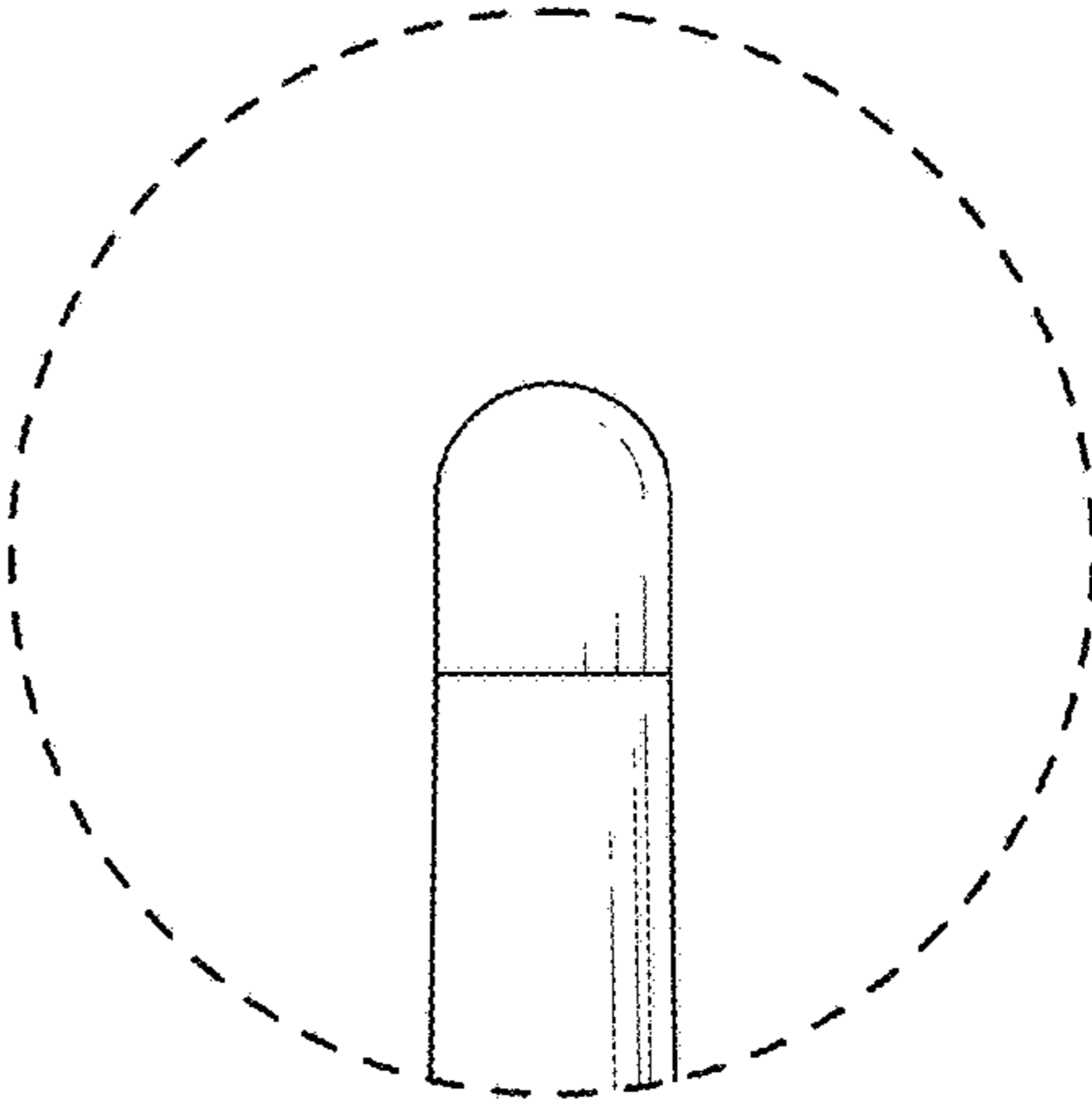


FIG. 6

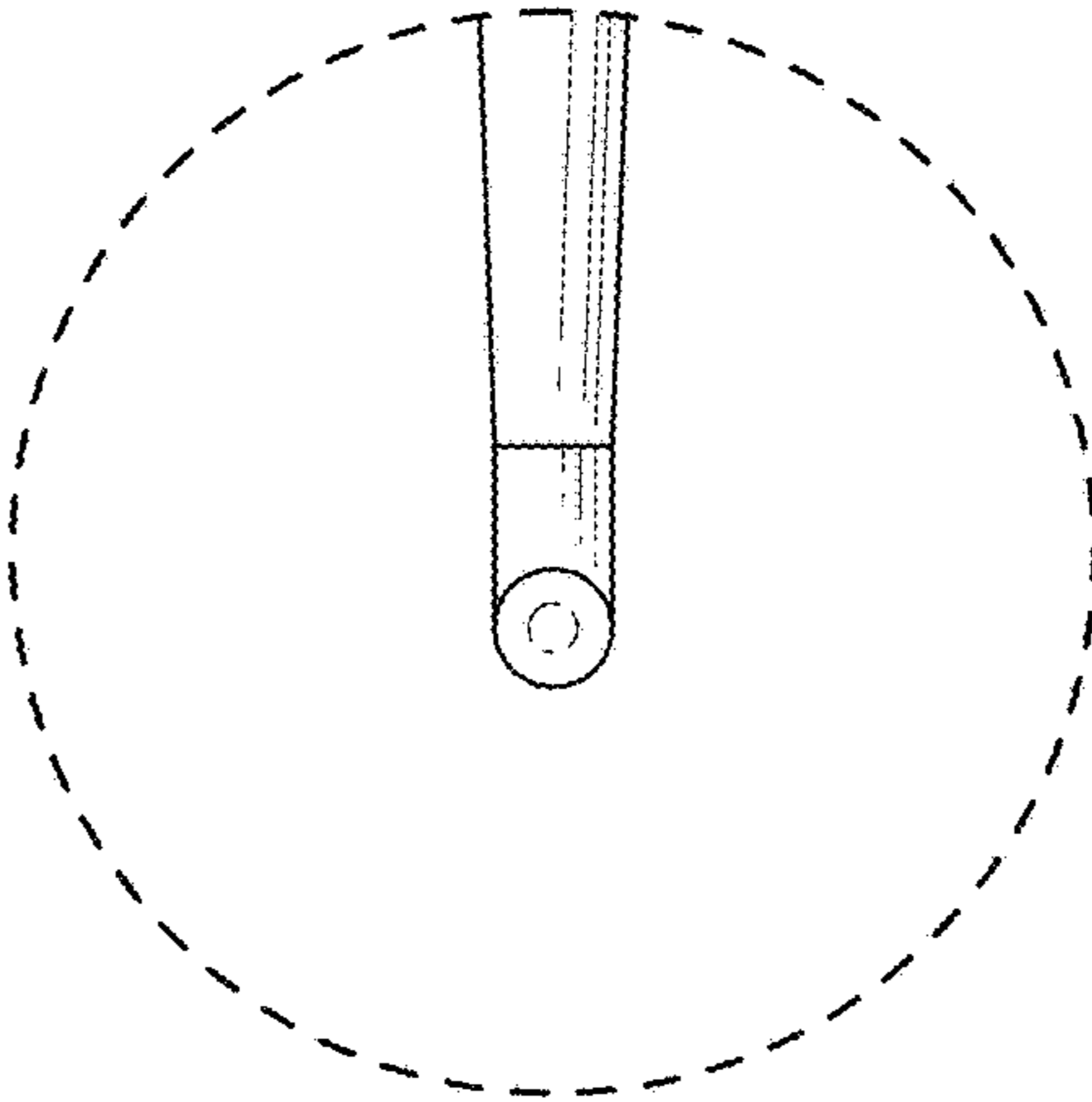


FIG. 5

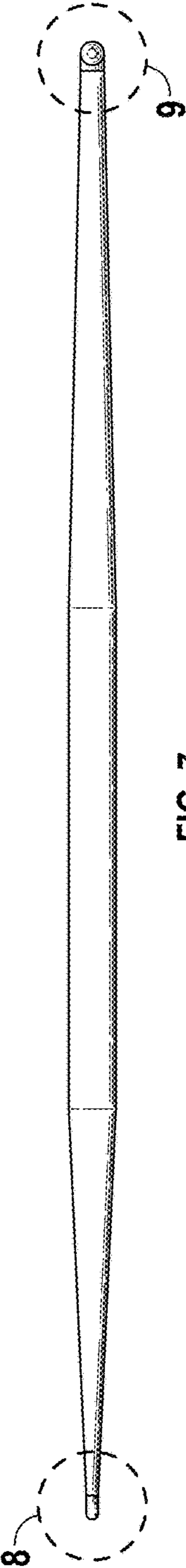


FIG. 7

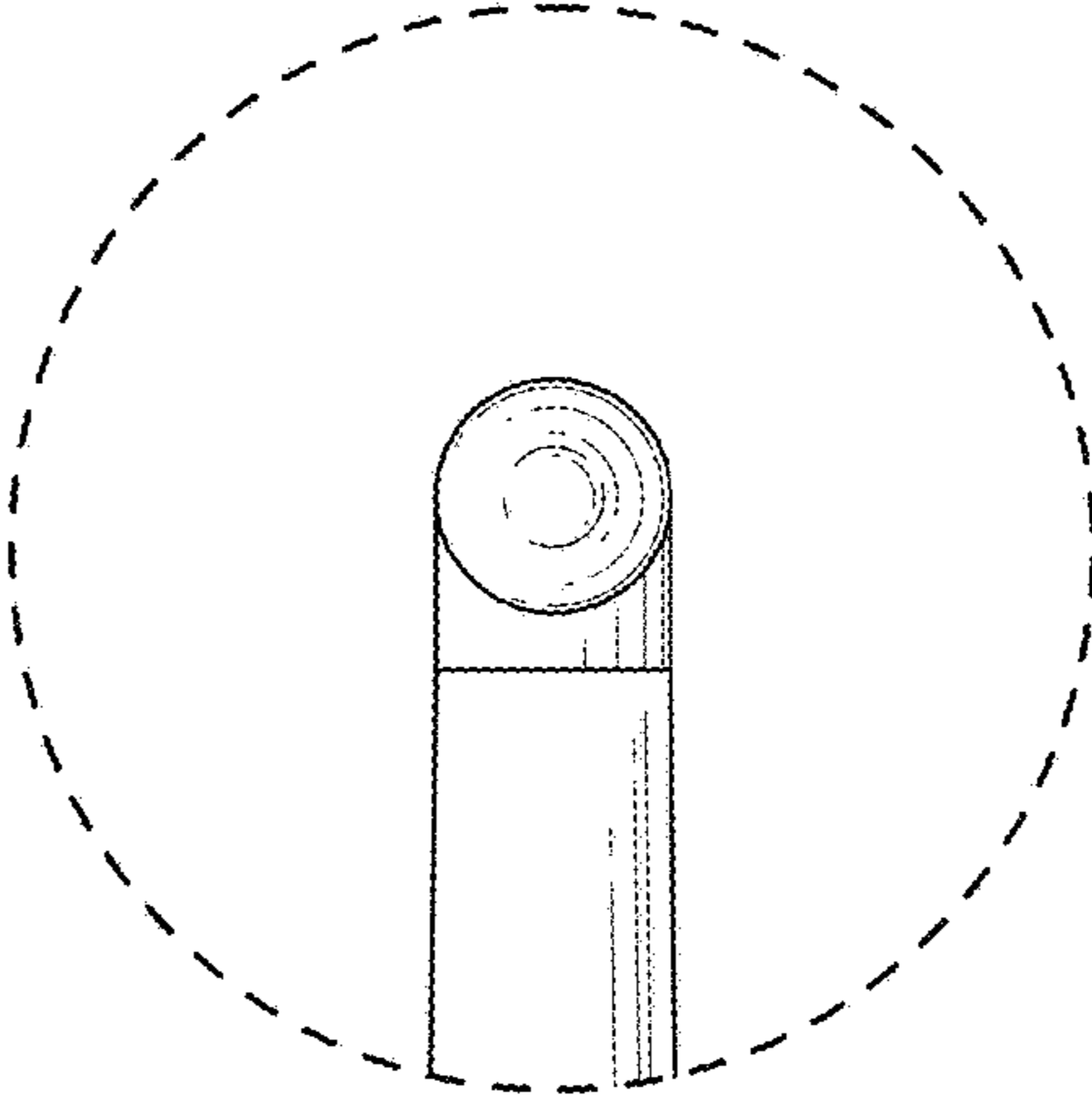


FIG. 9

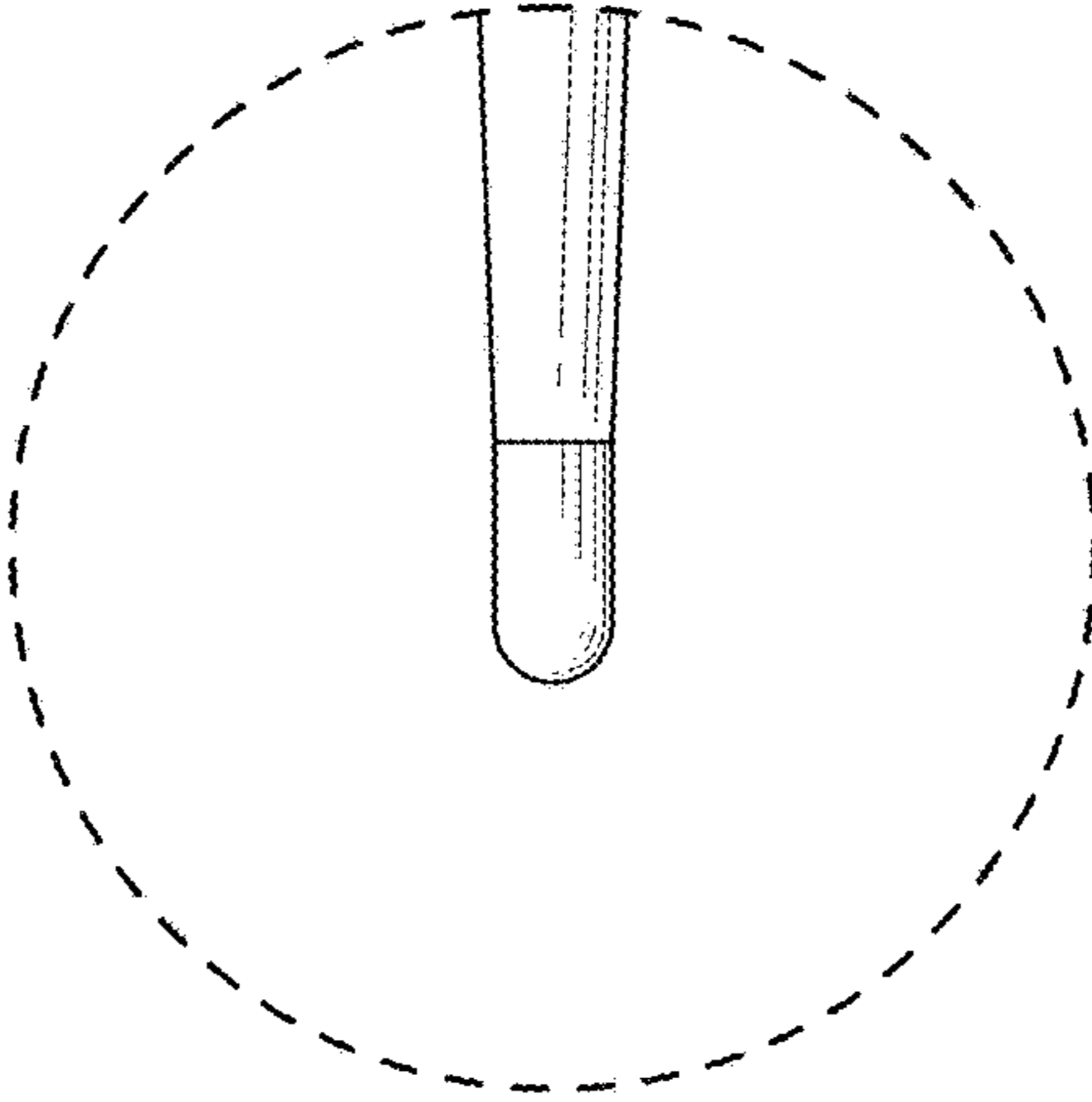


FIG. 8

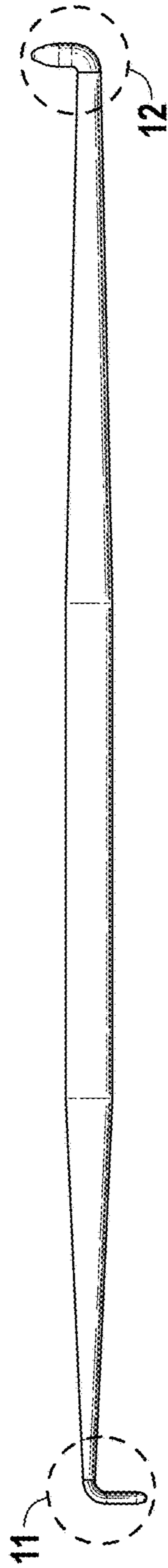


FIG. 10

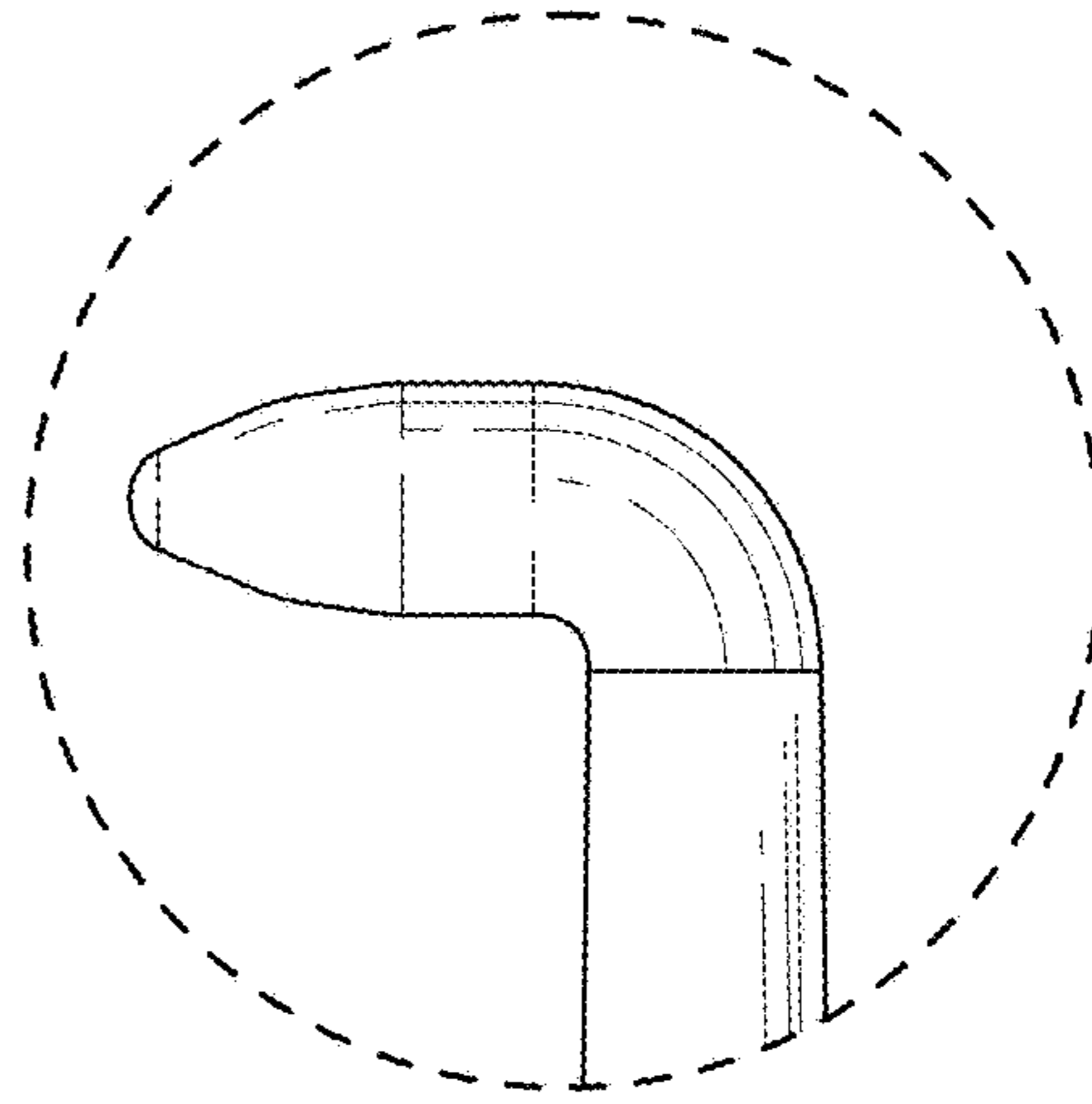


FIG. 12

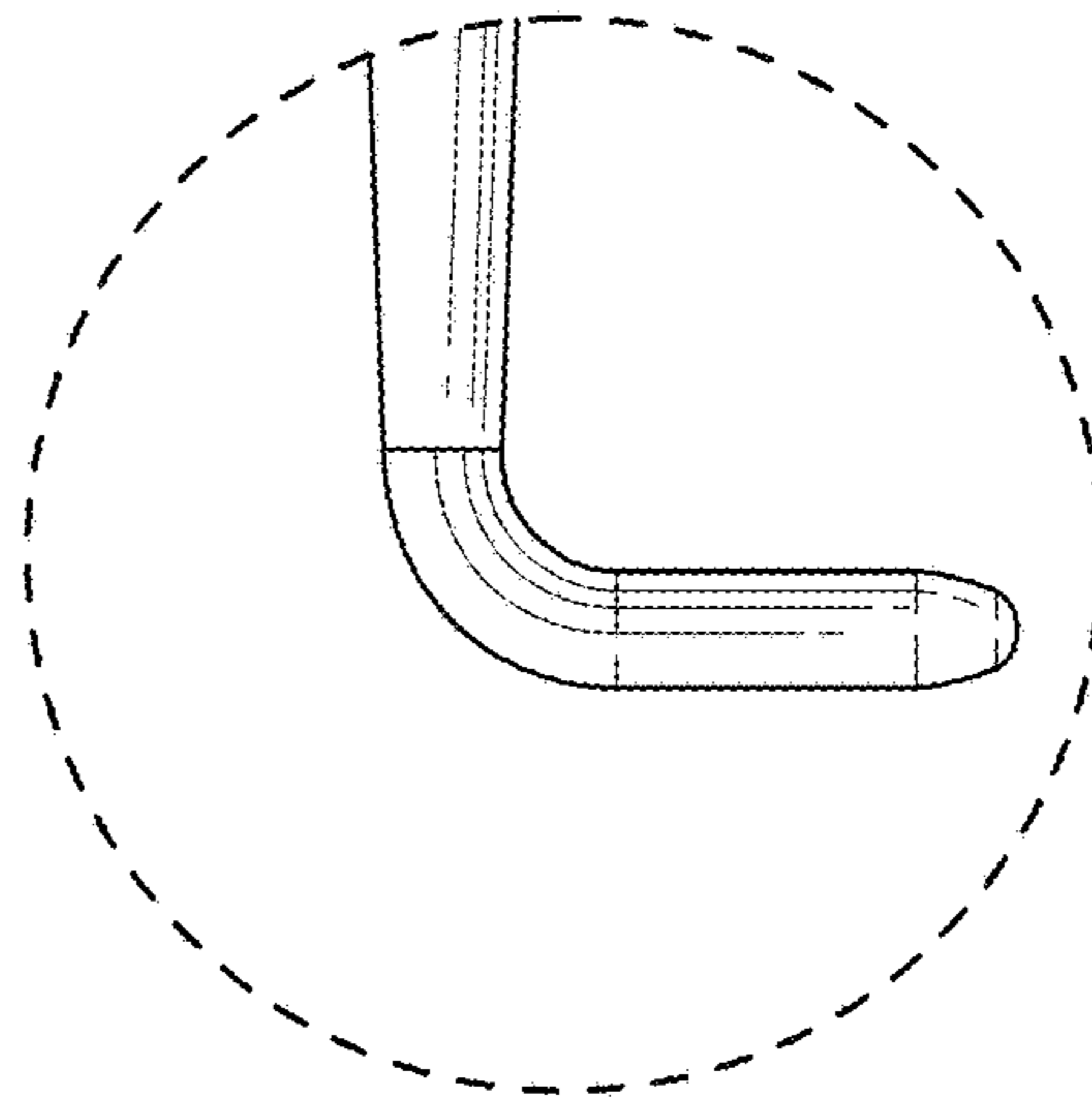


FIG. 11

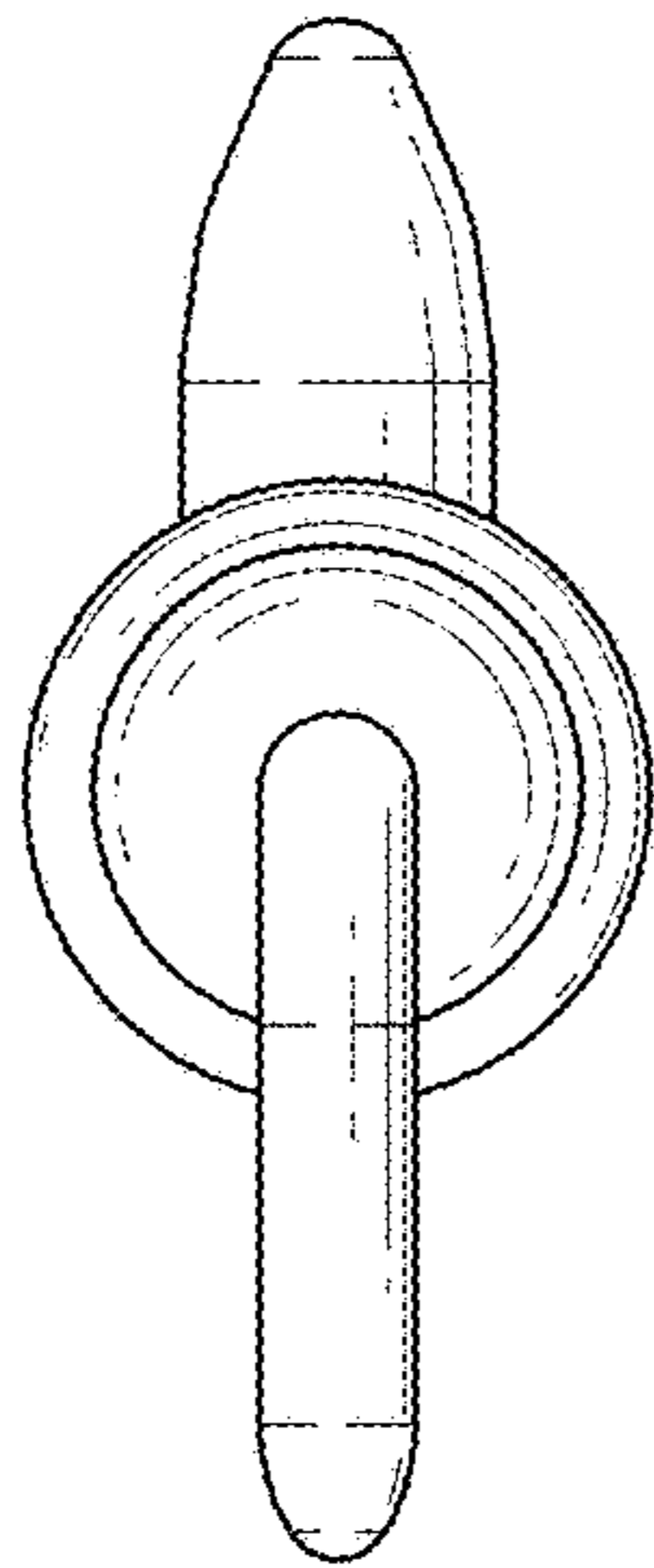


FIG. 13

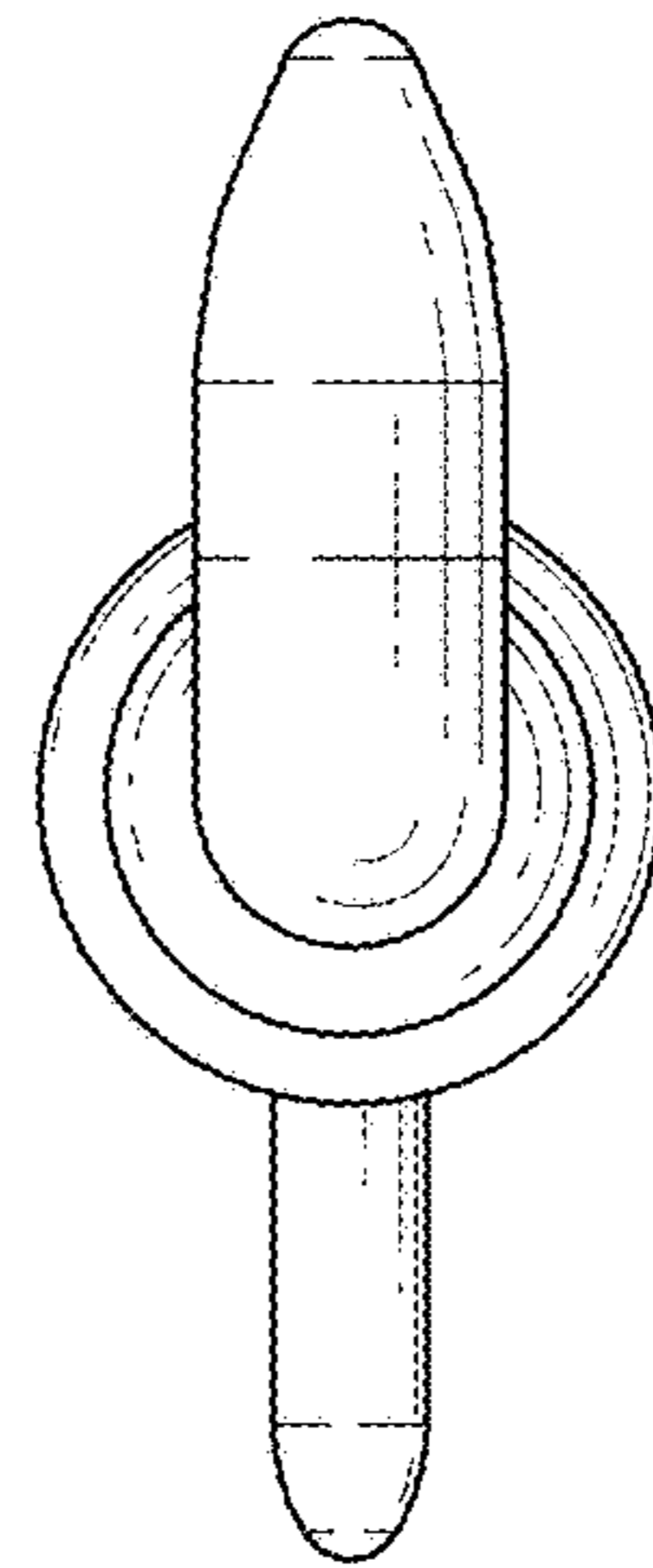


FIG. 14

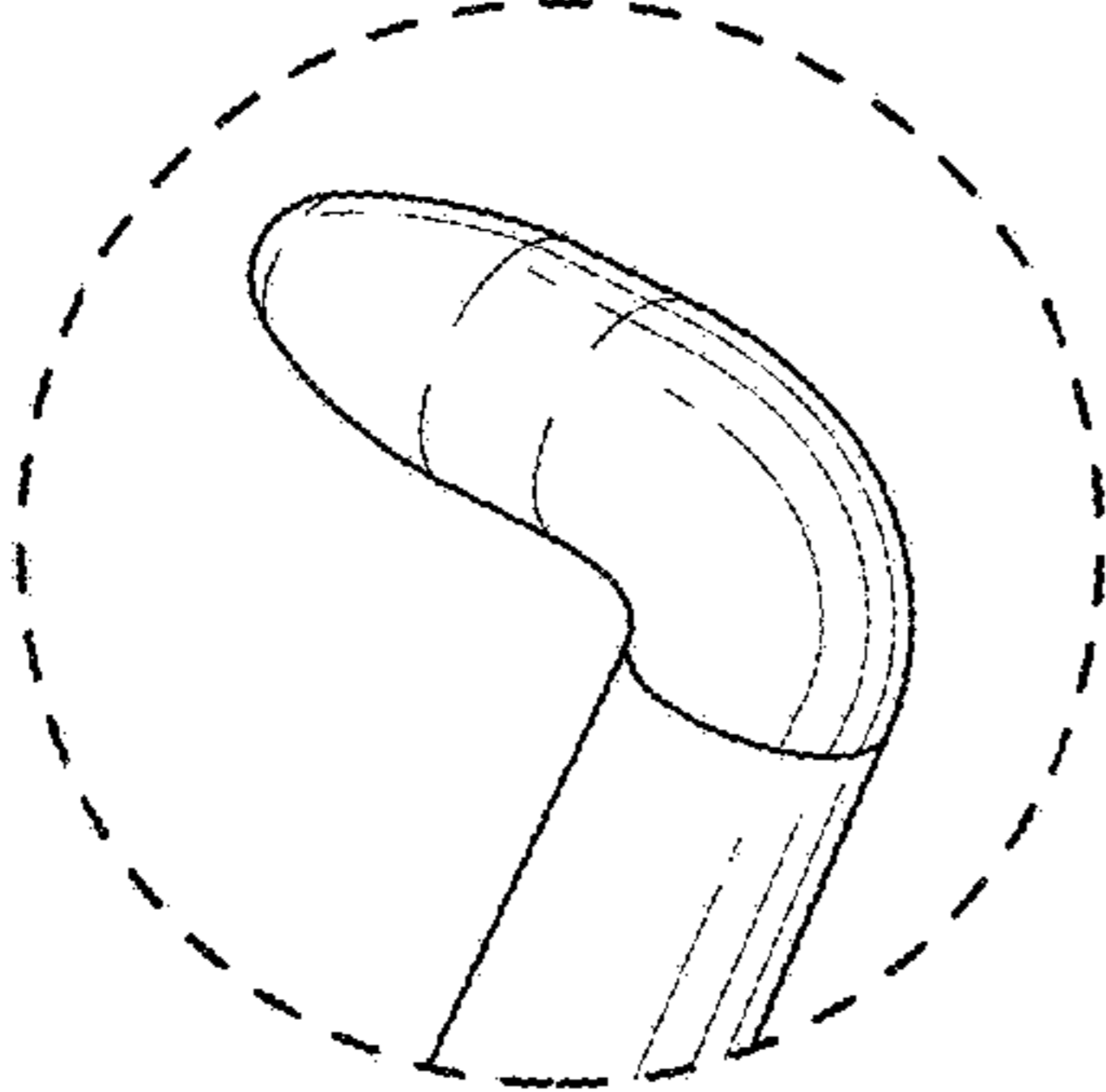


FIG. 17

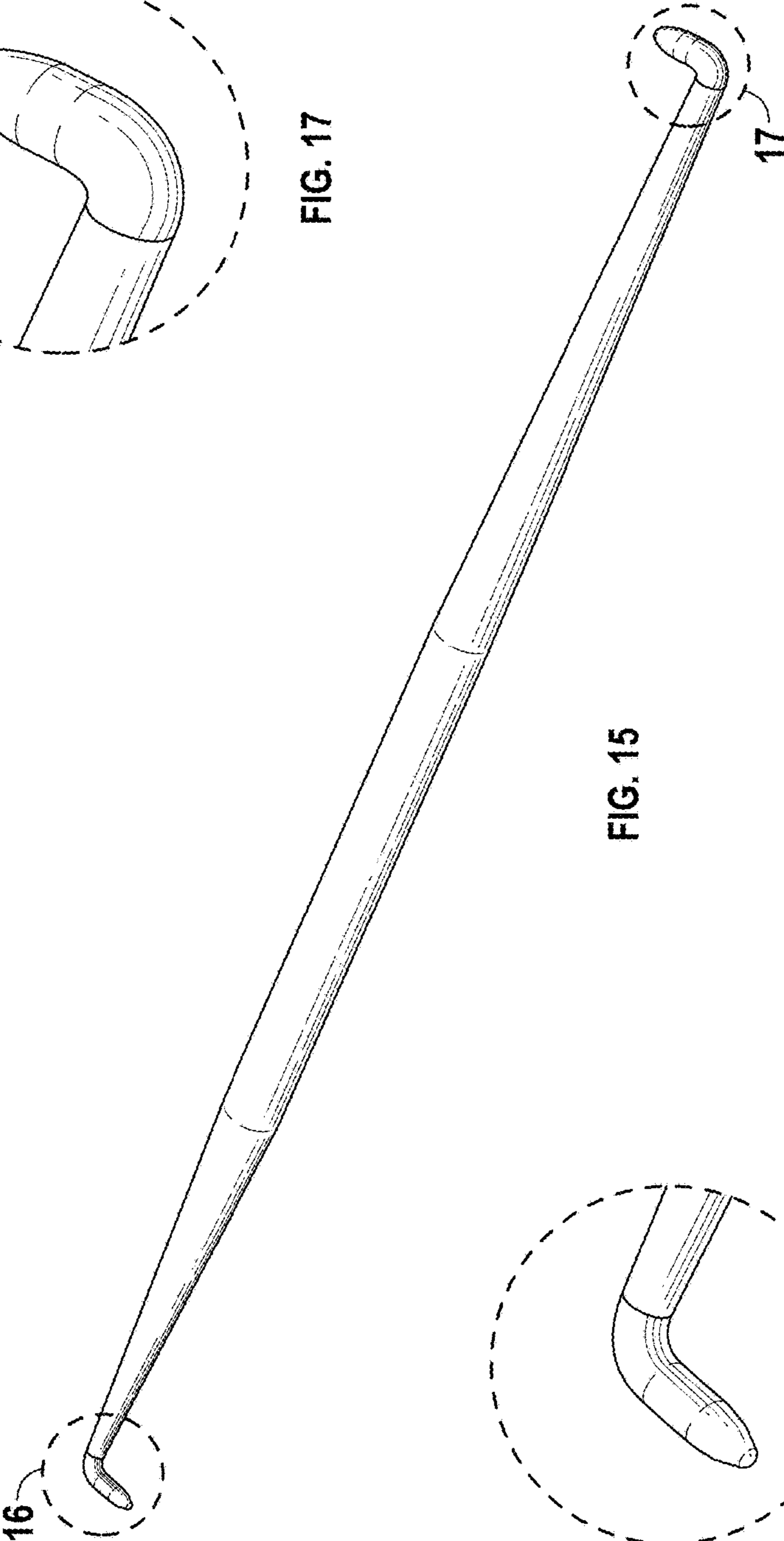


FIG. 15

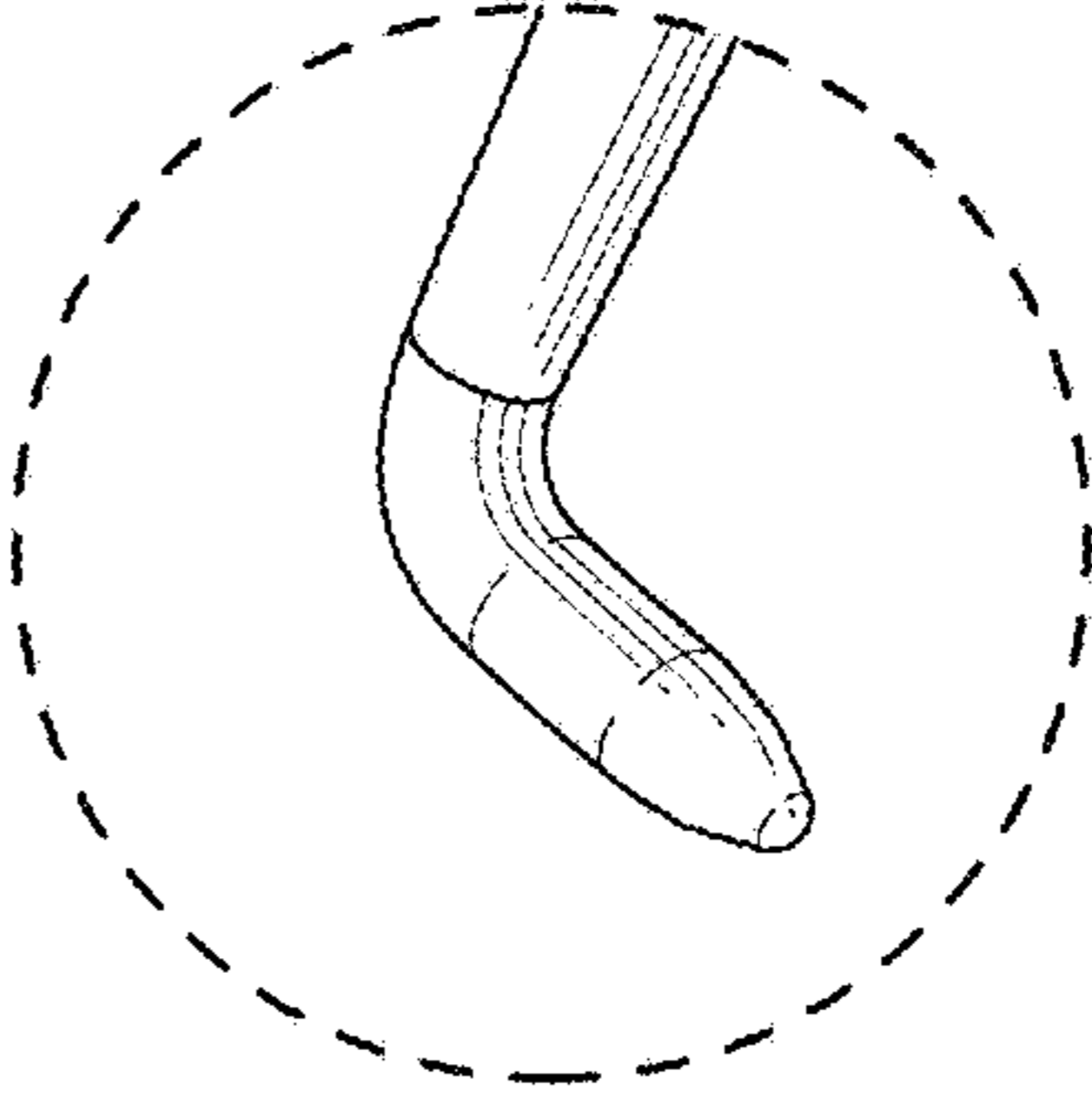


FIG. 16

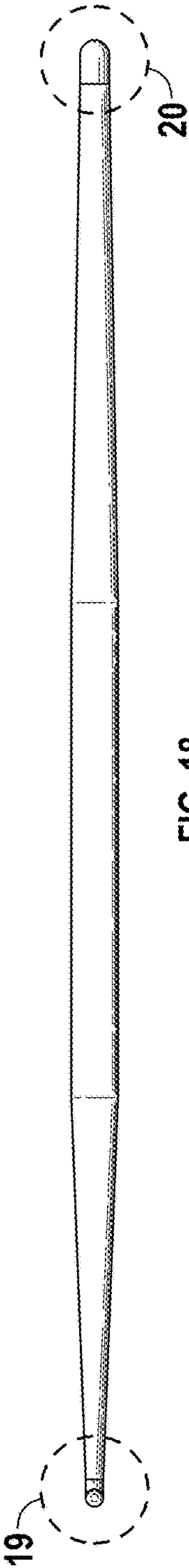


FIG. 18

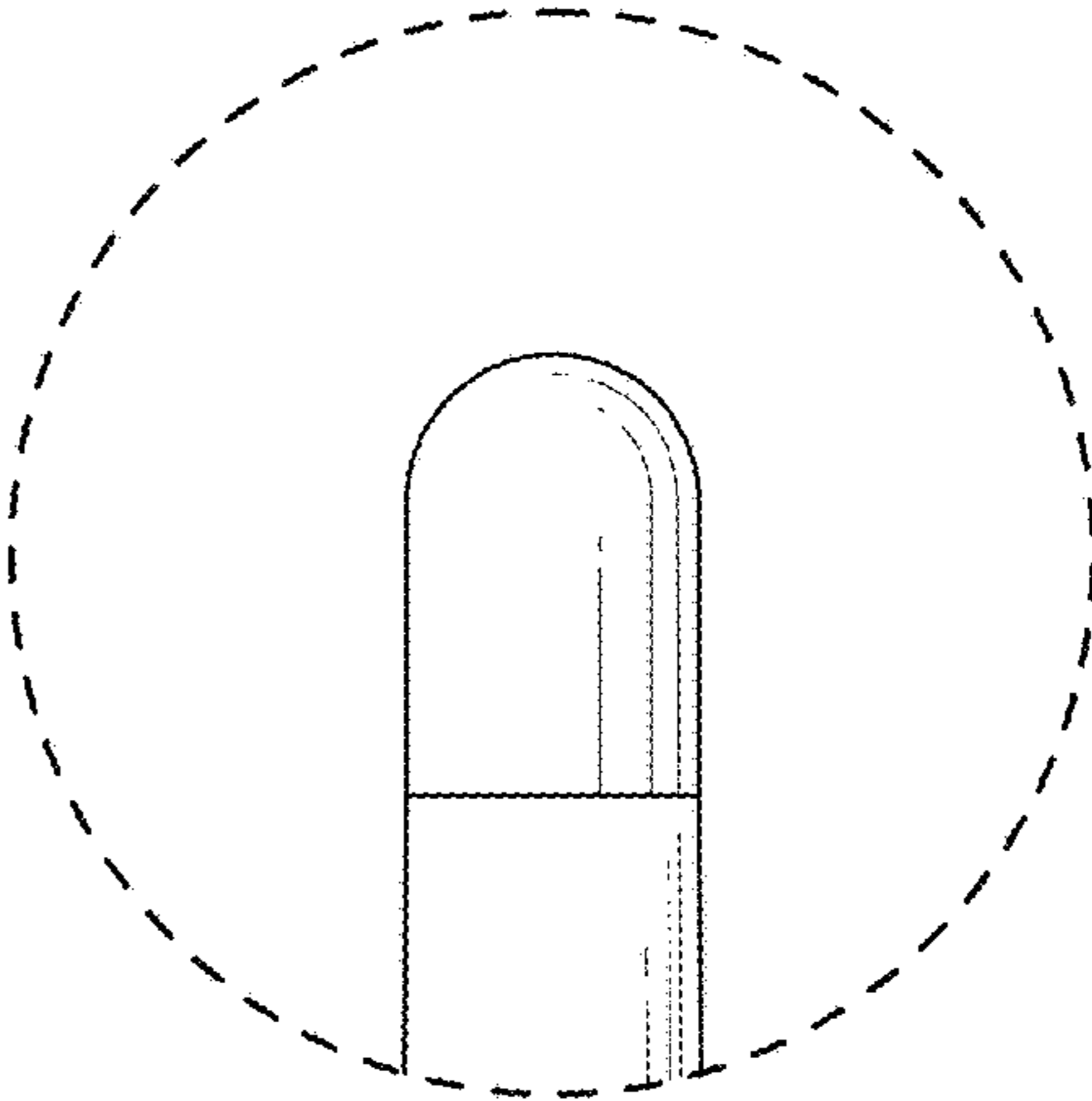


FIG. 20

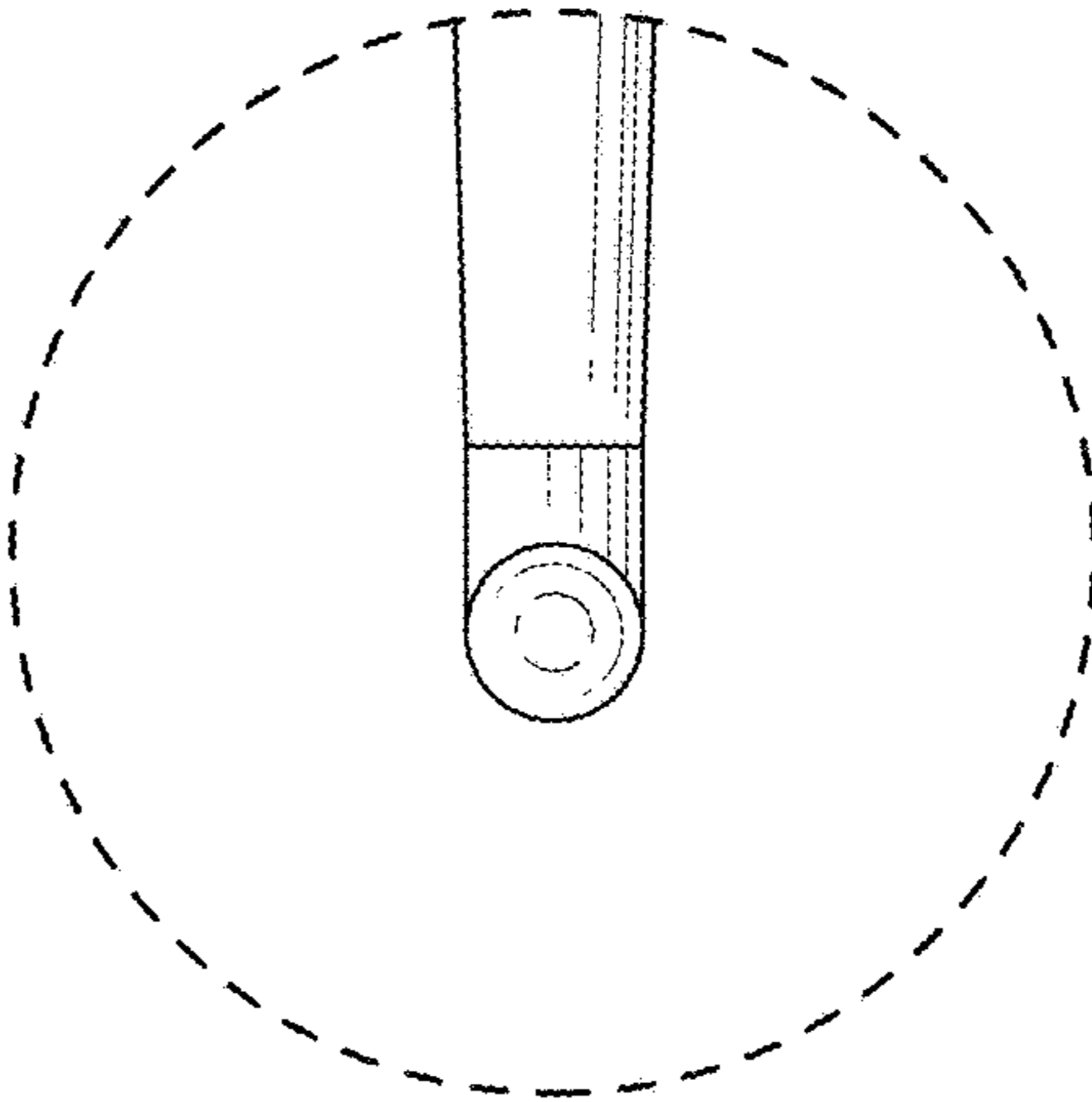


FIG. 19

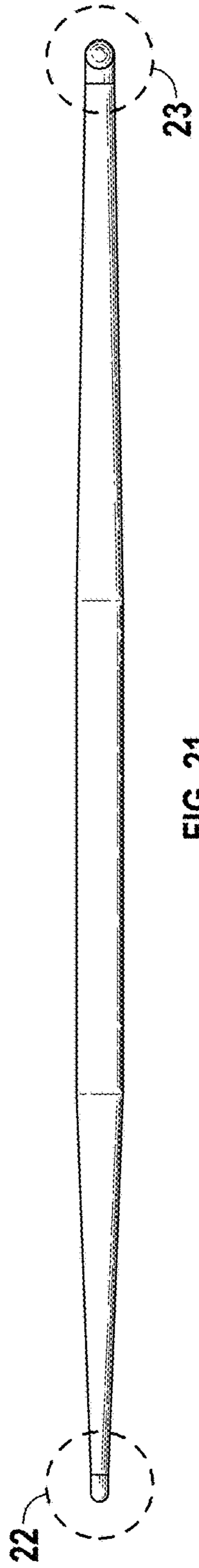


FIG. 21

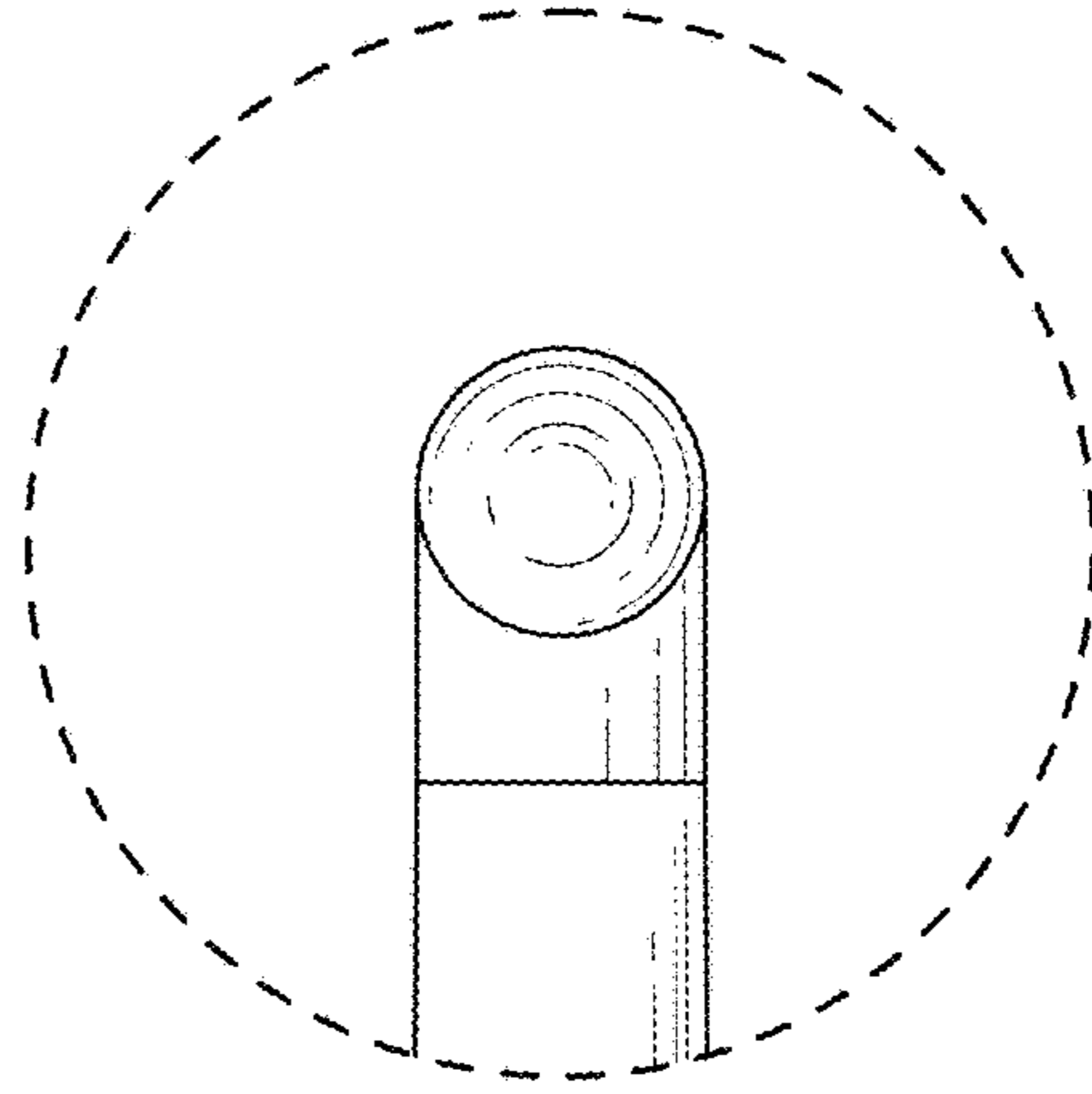


FIG. 23

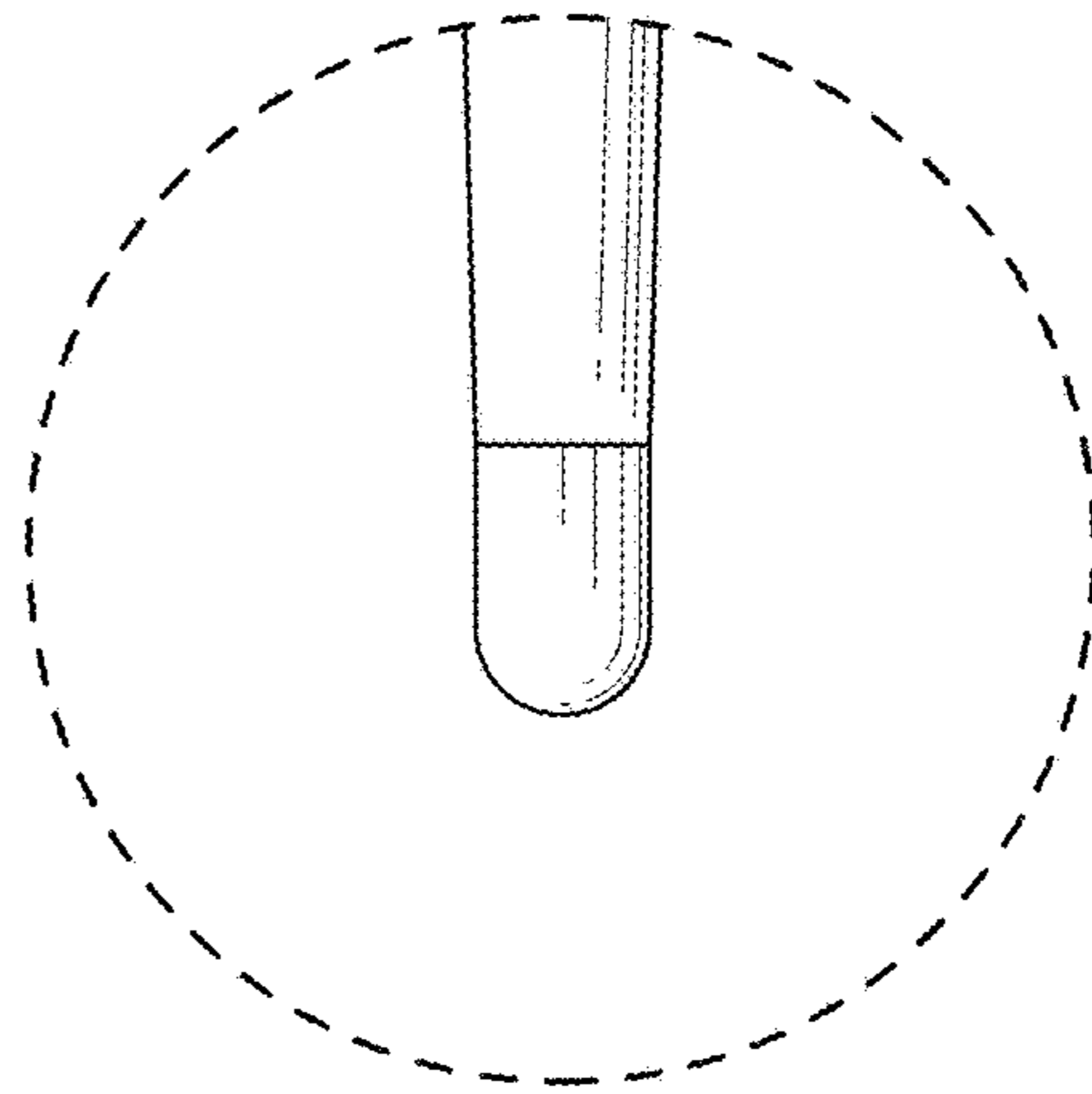


FIG. 22

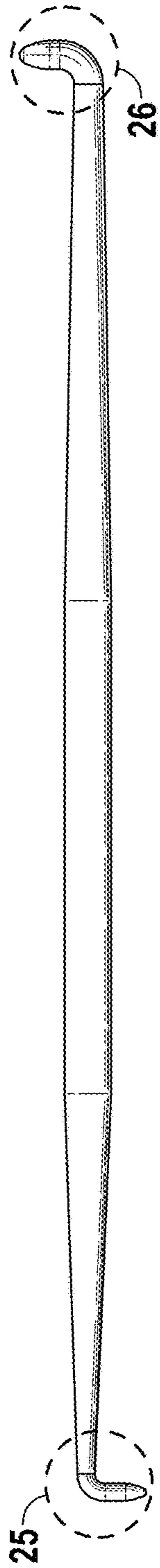
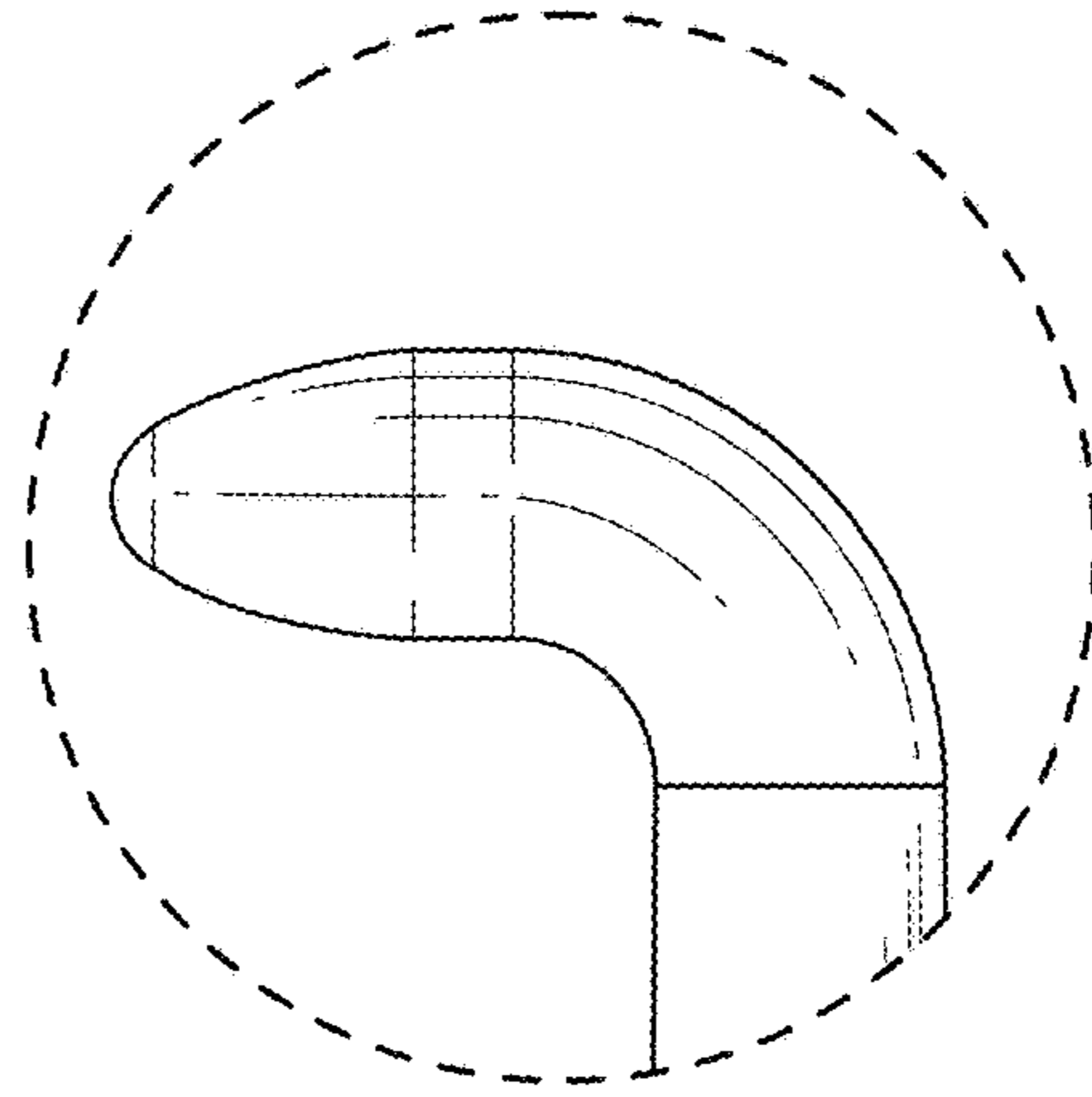
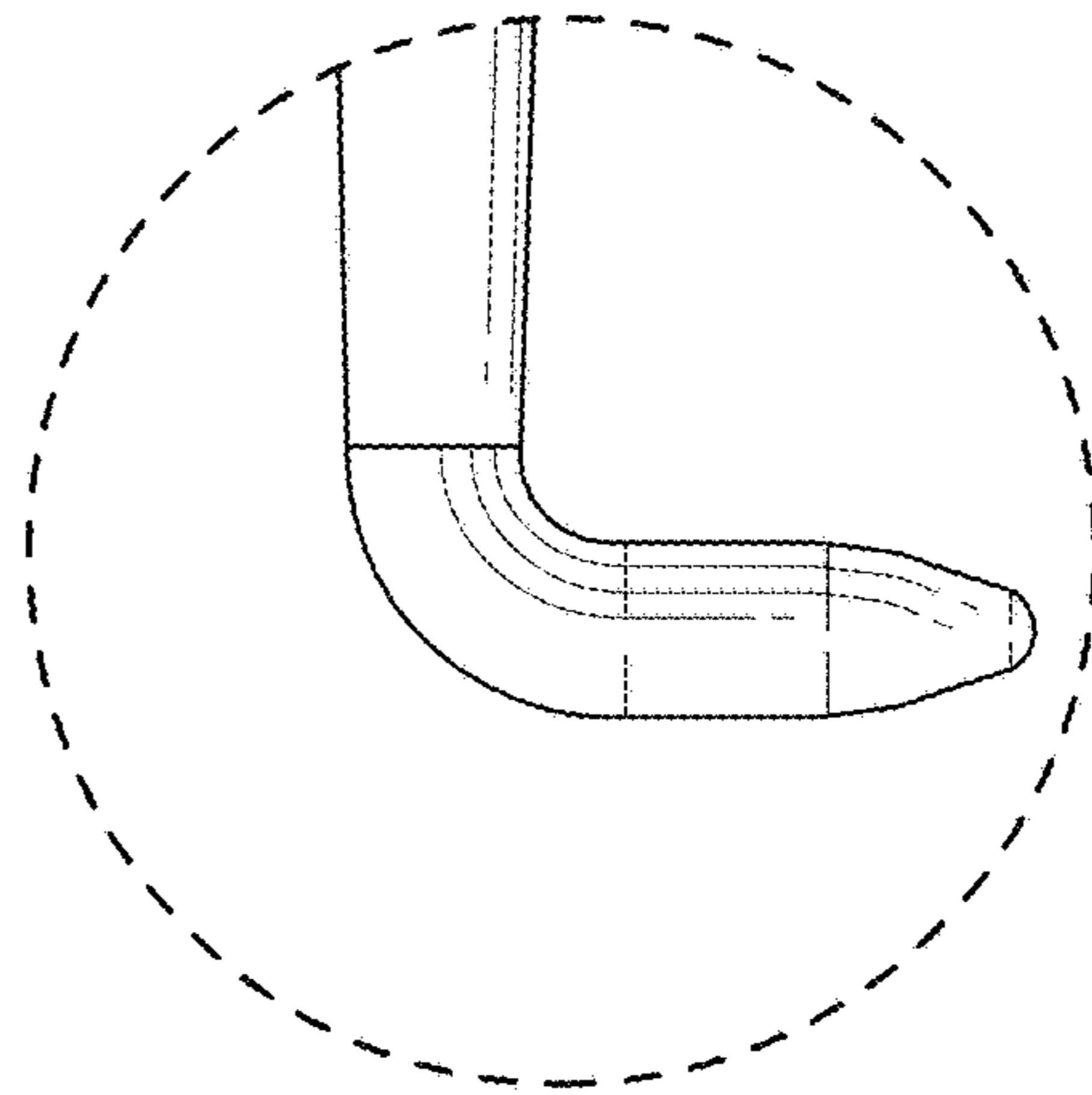


FIG. 24



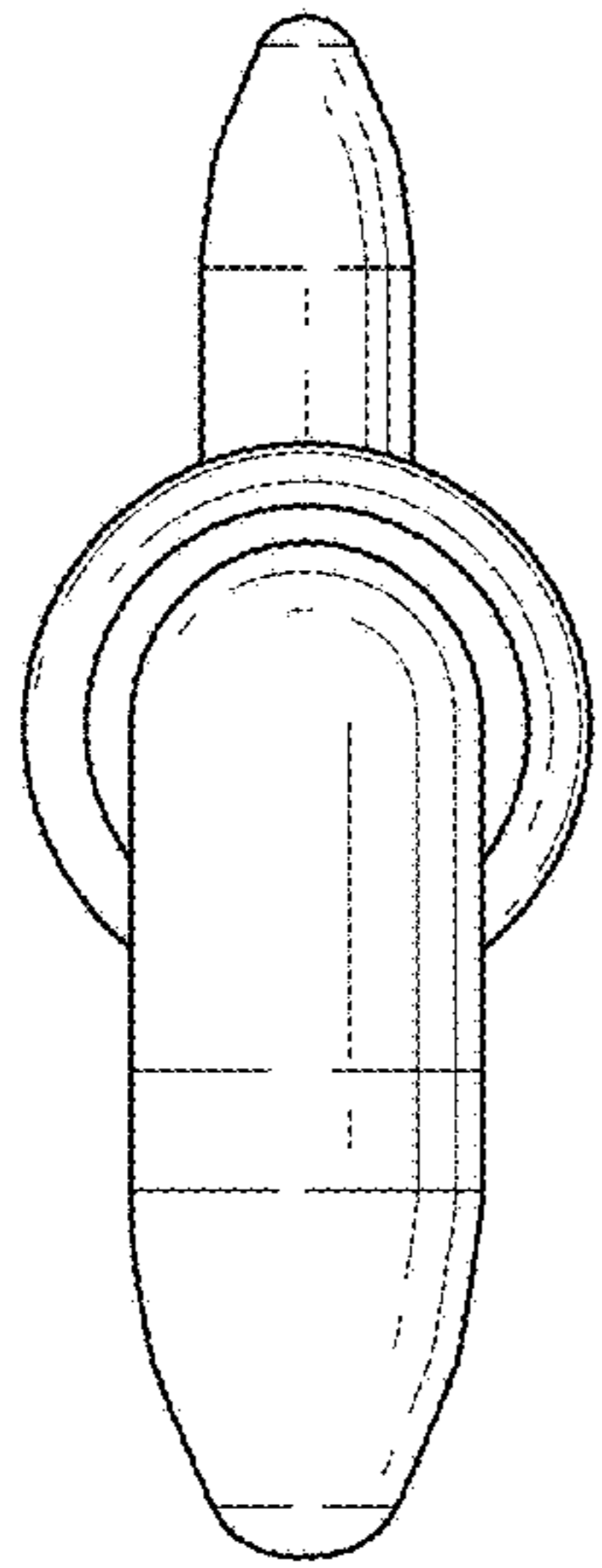


FIG. 27

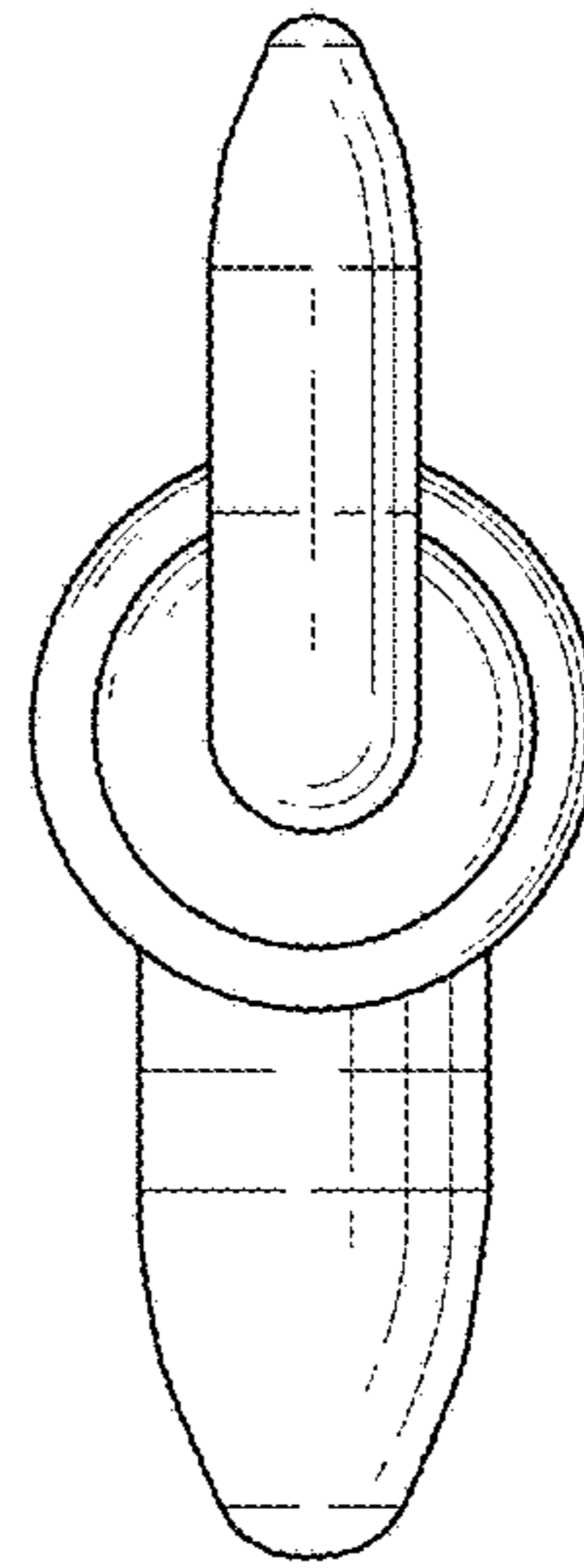


FIG. 28

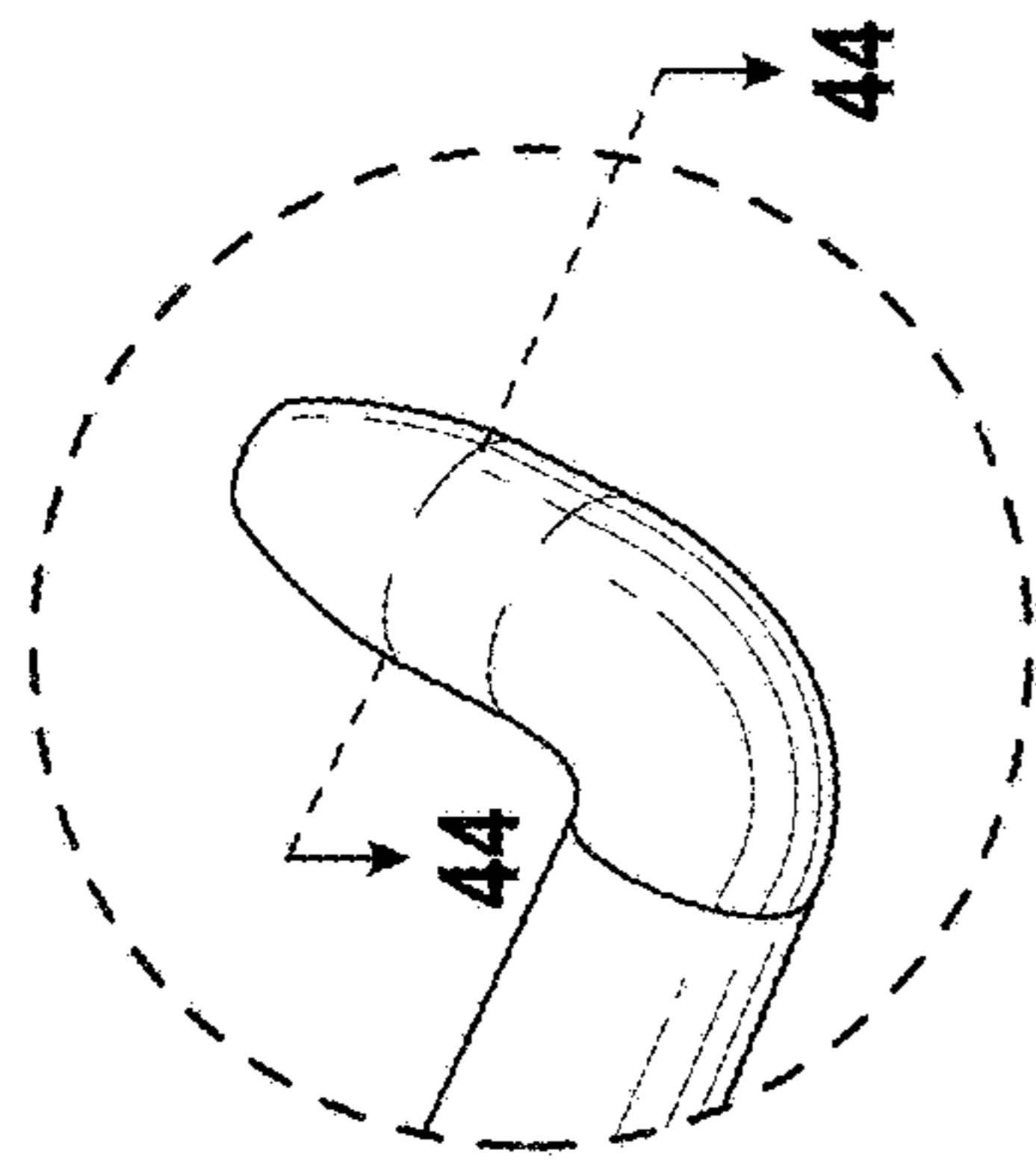


FIG. 31

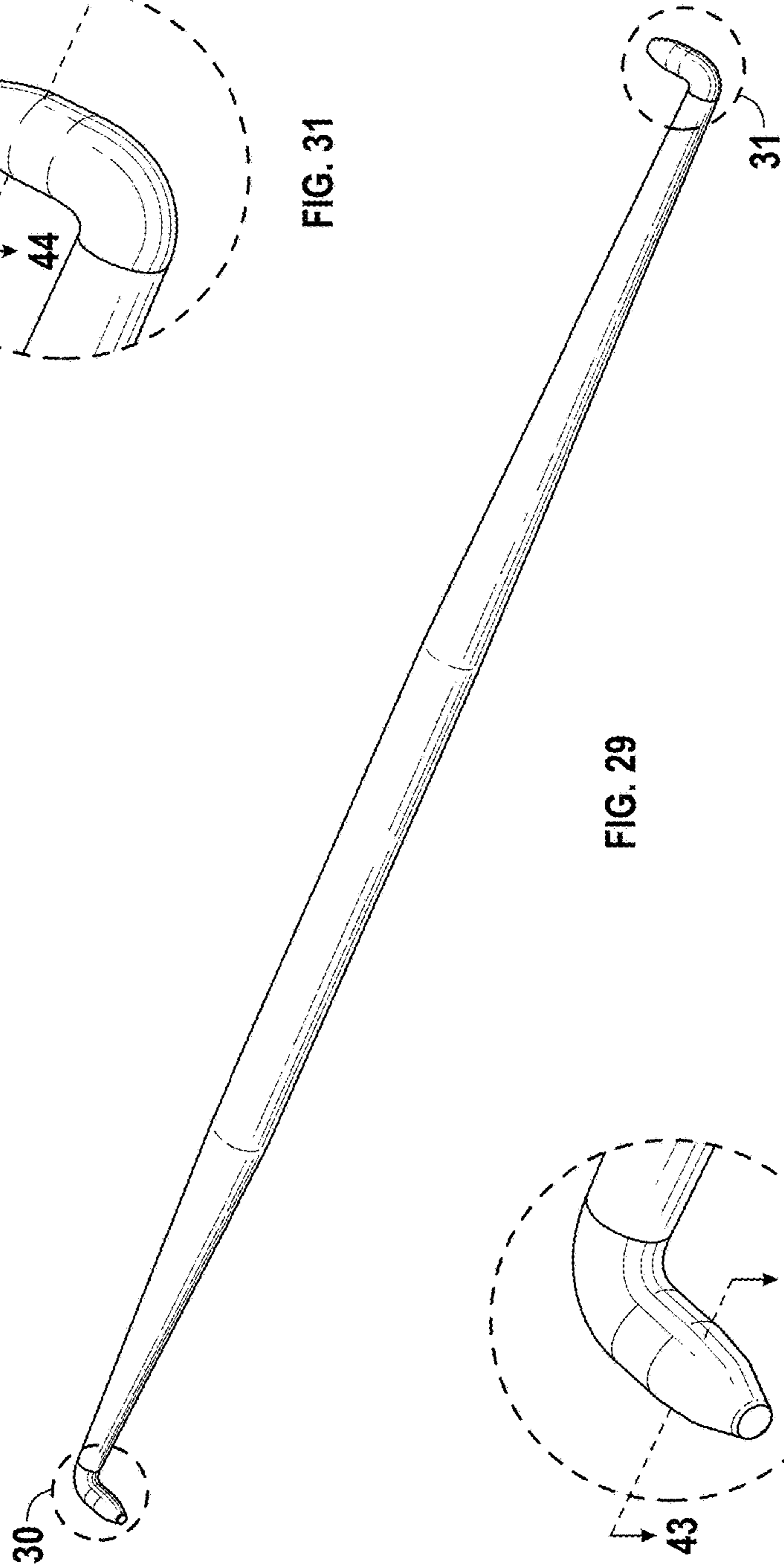


FIG. 29

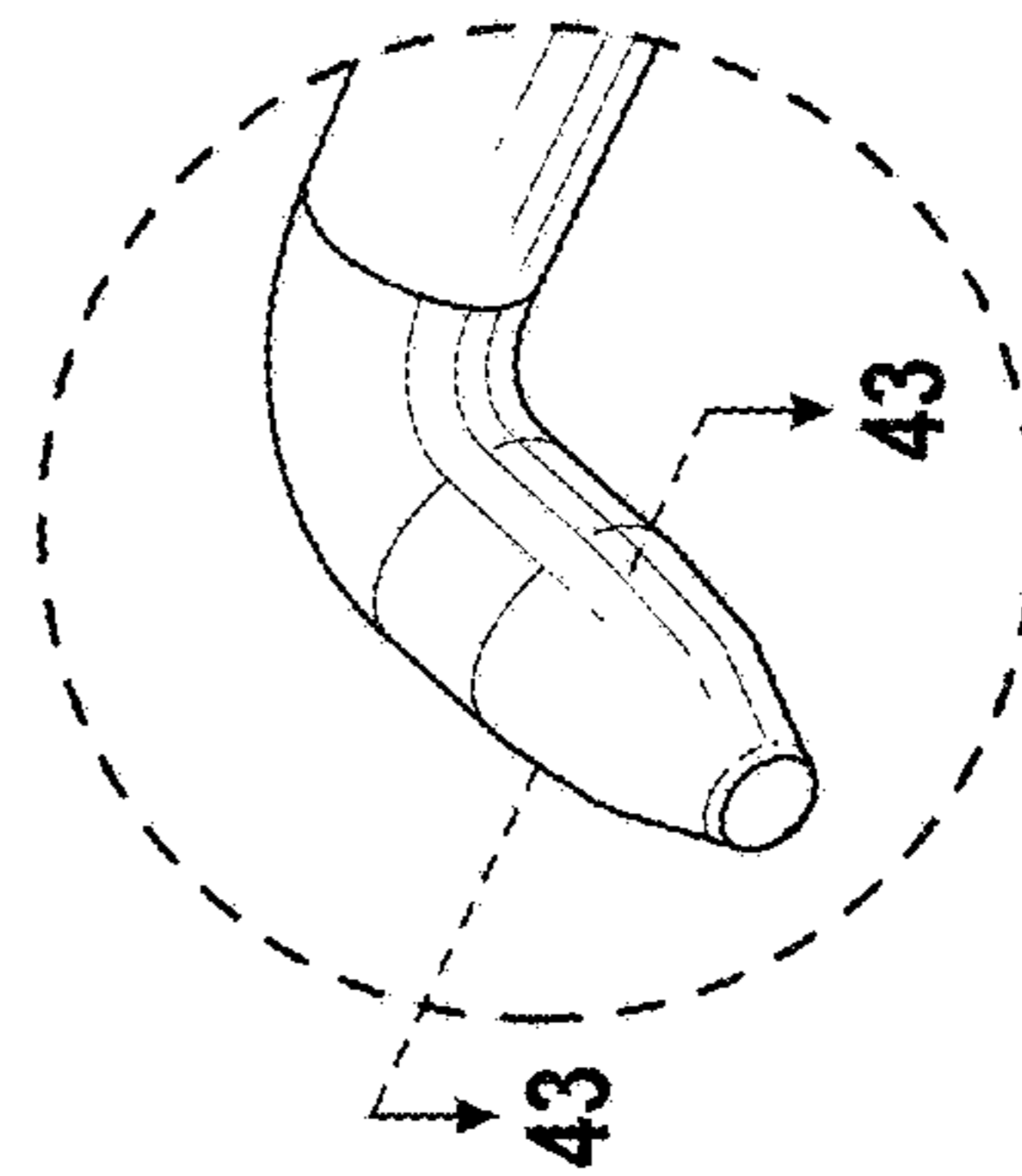


FIG. 30

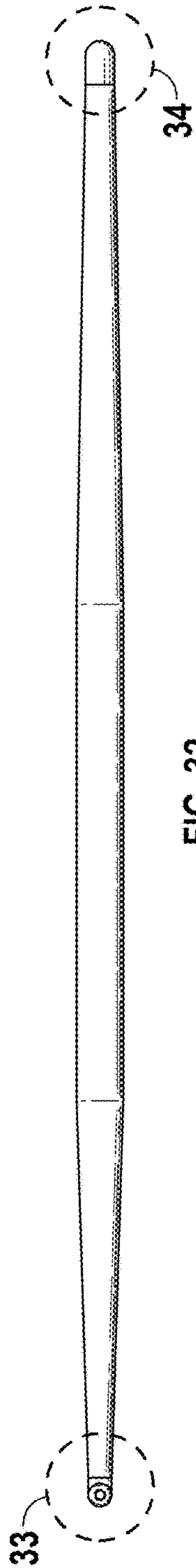


FIG. 32

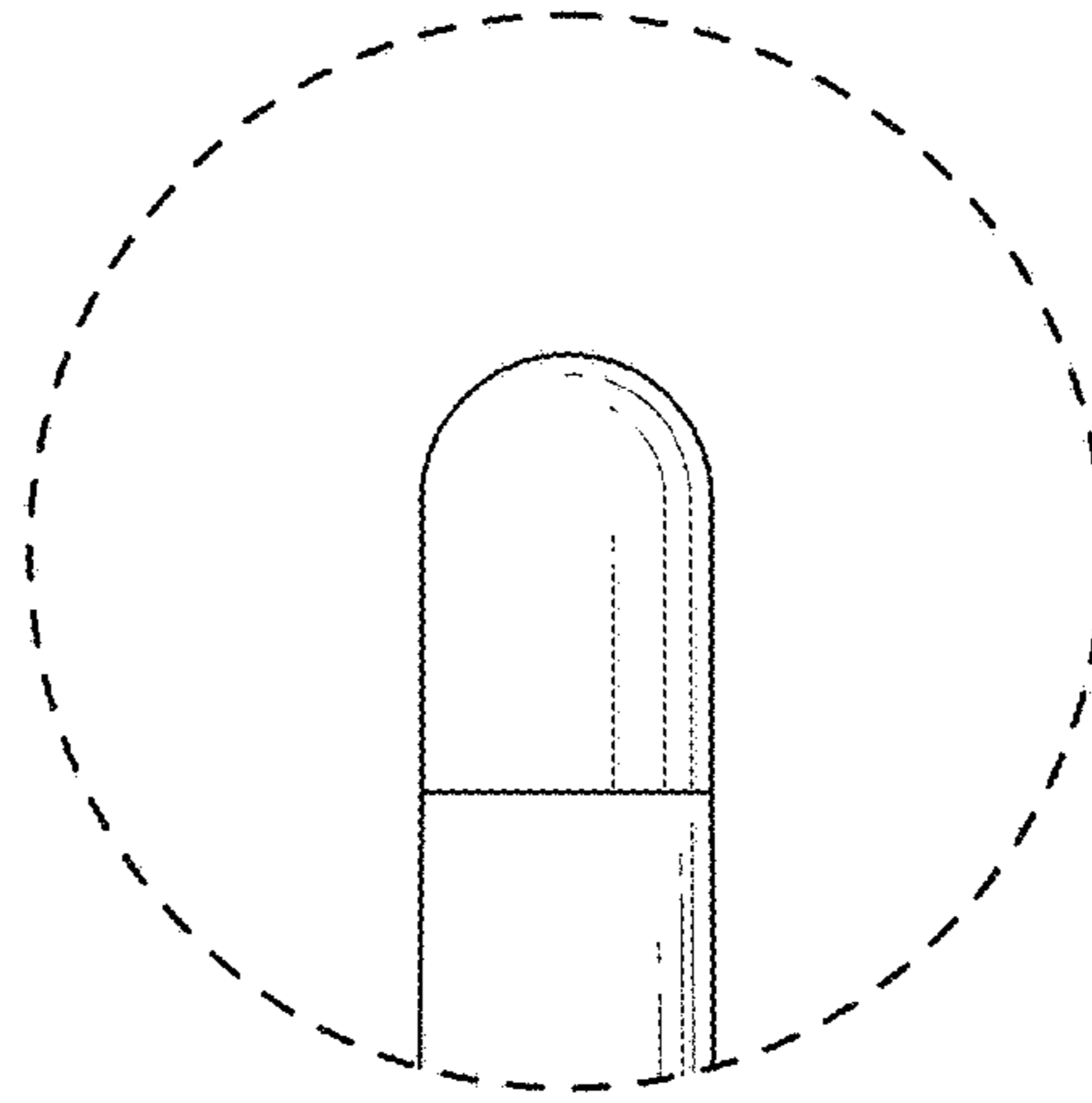


FIG. 34

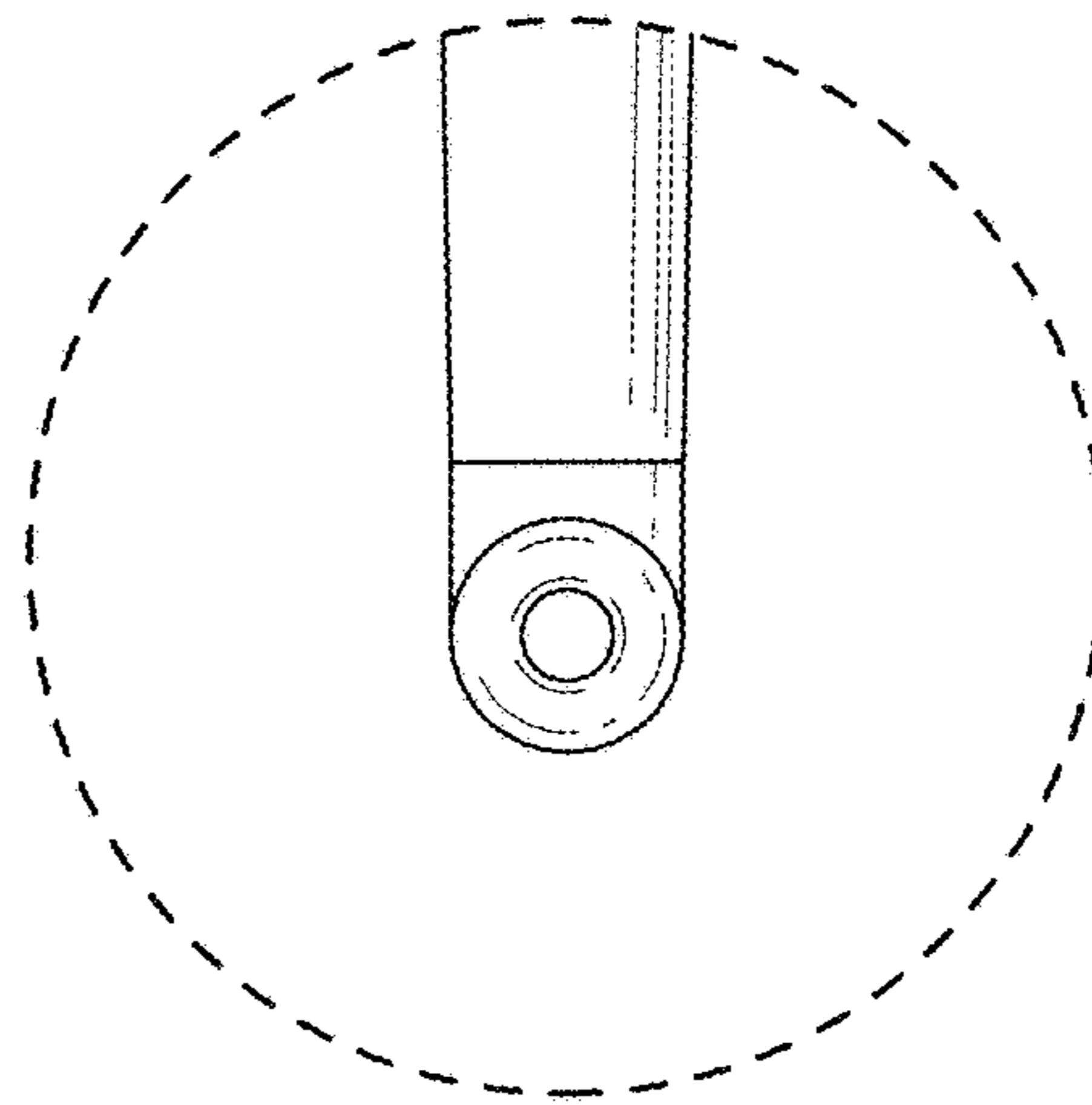


FIG. 33

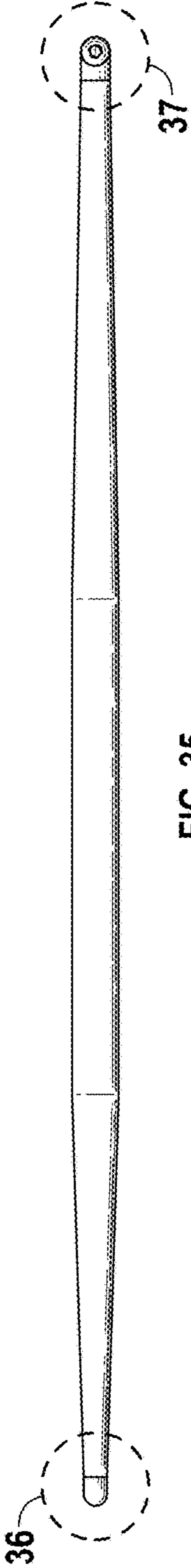


FIG. 35

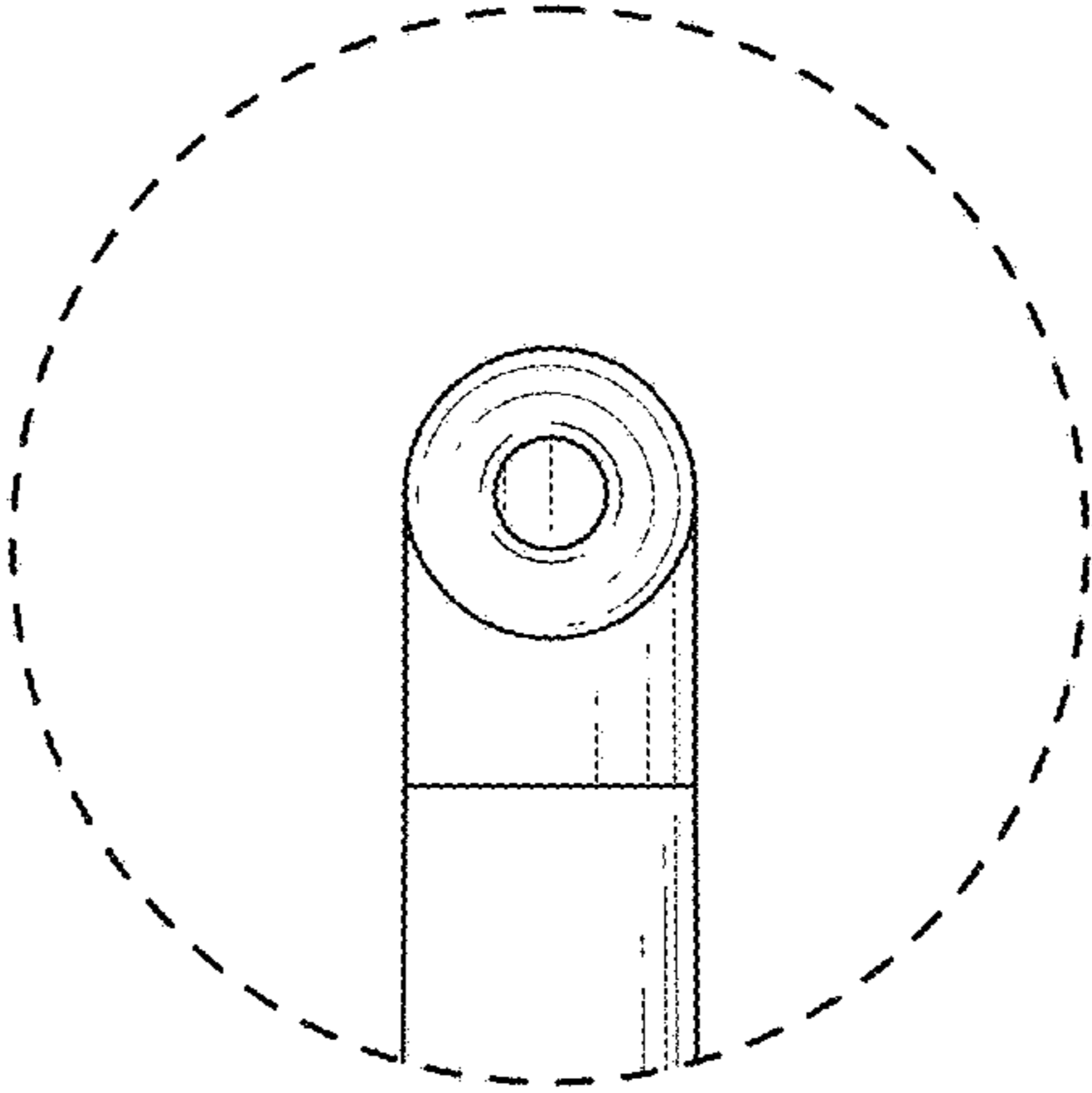


FIG. 37

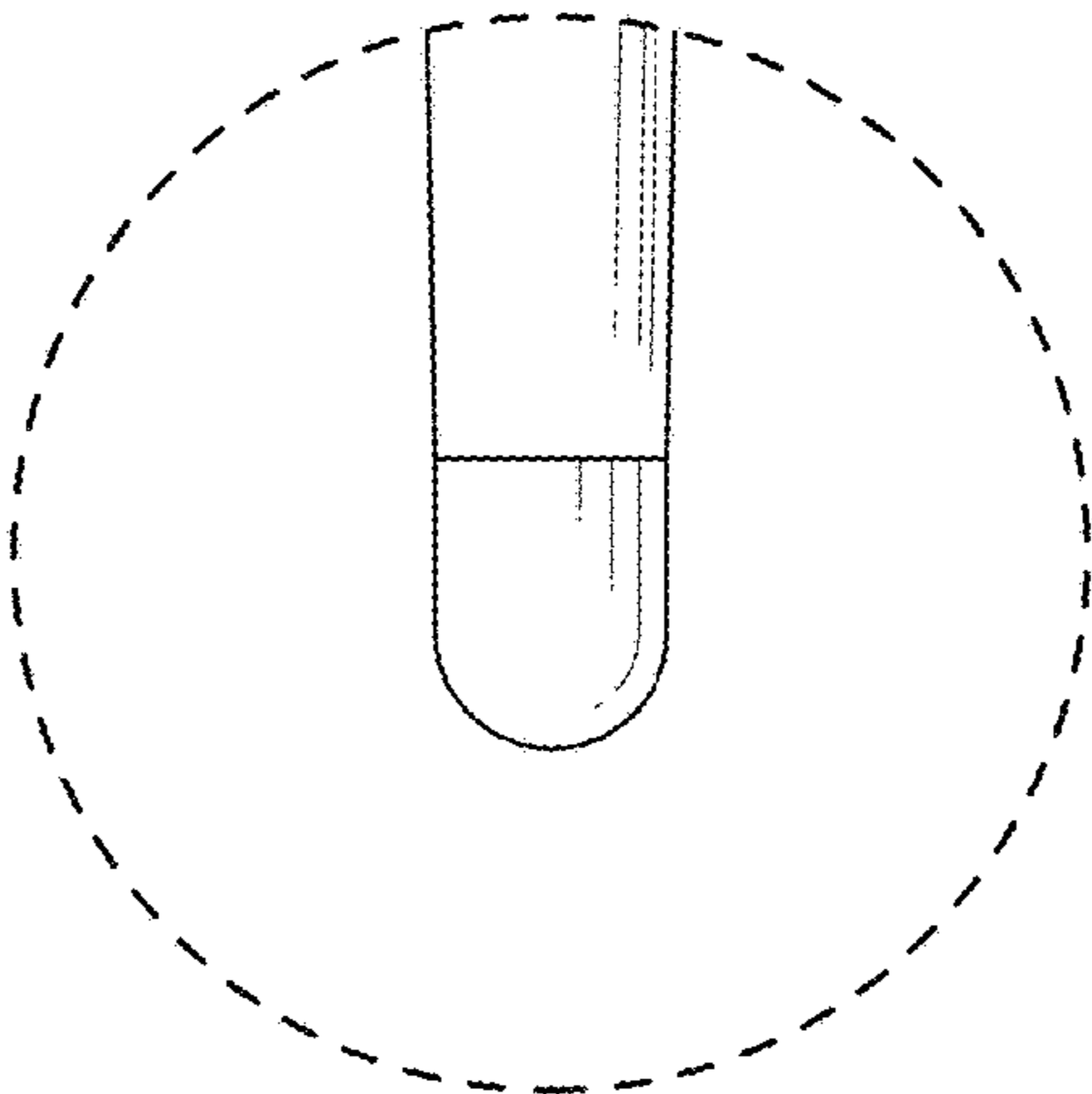
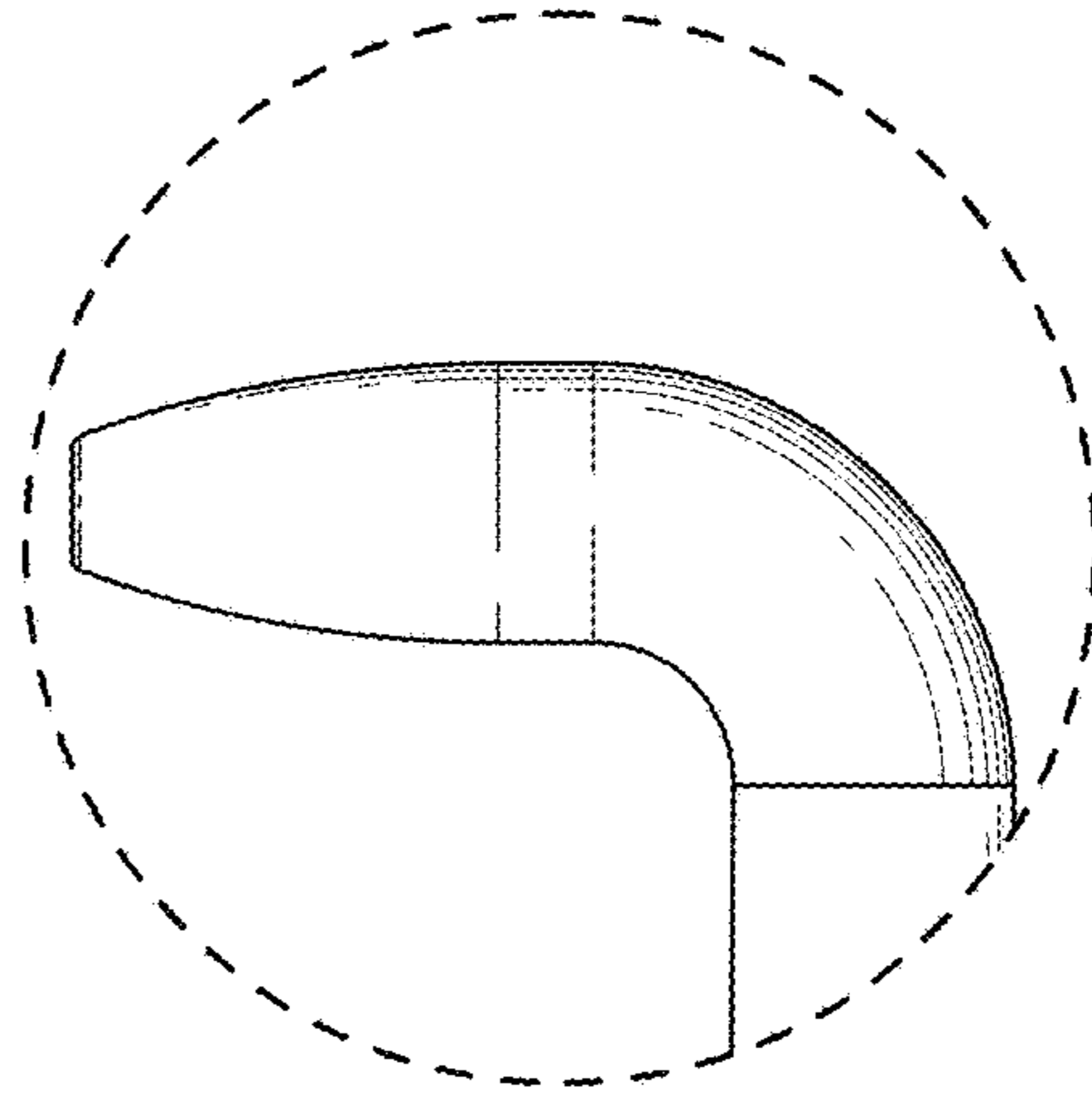
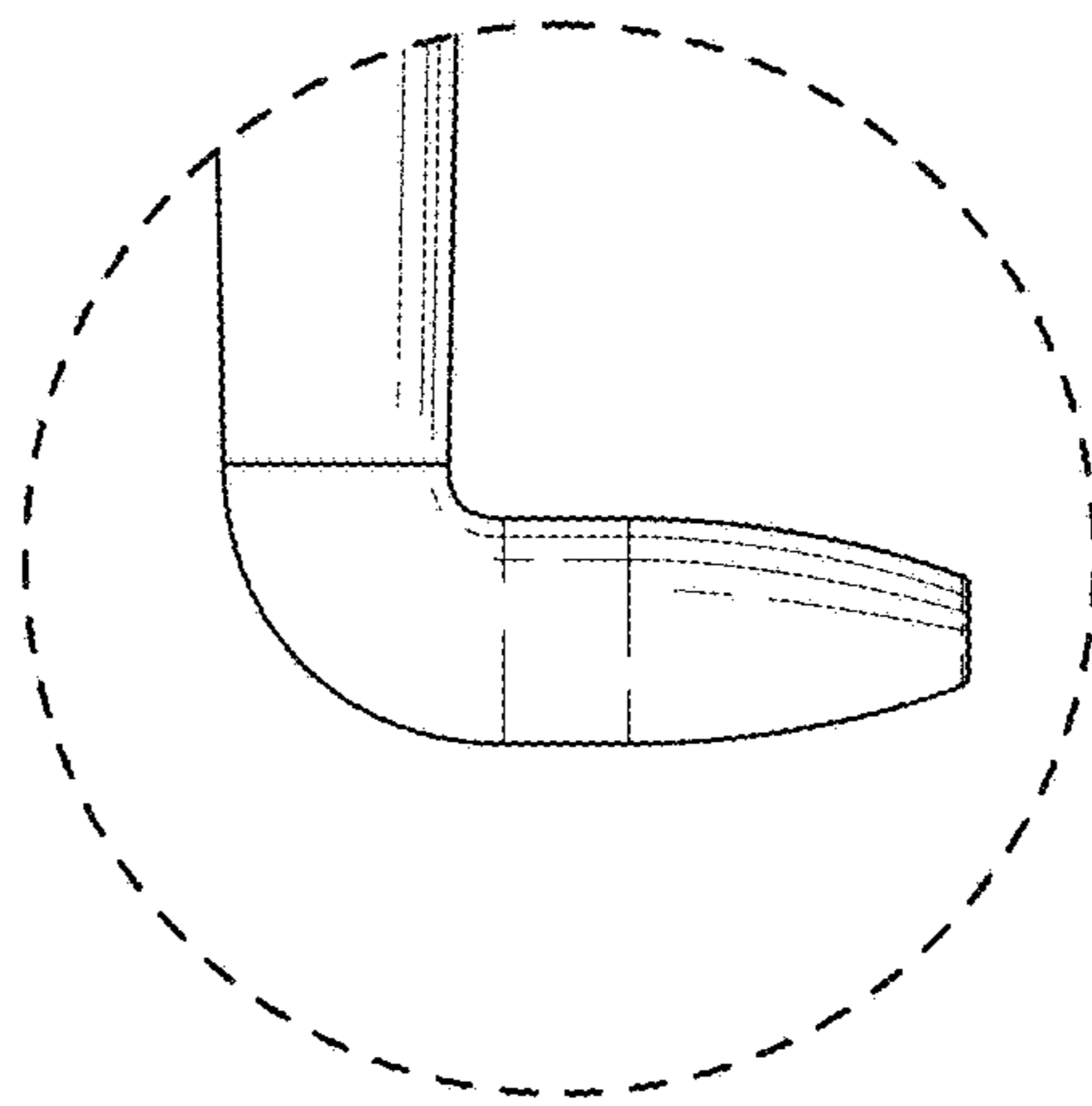
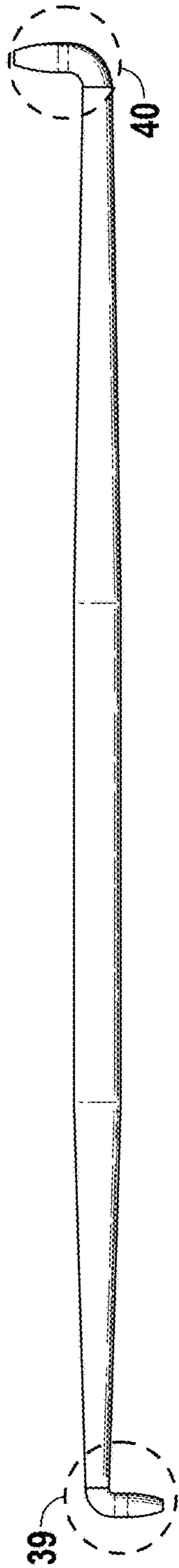


FIG. 36



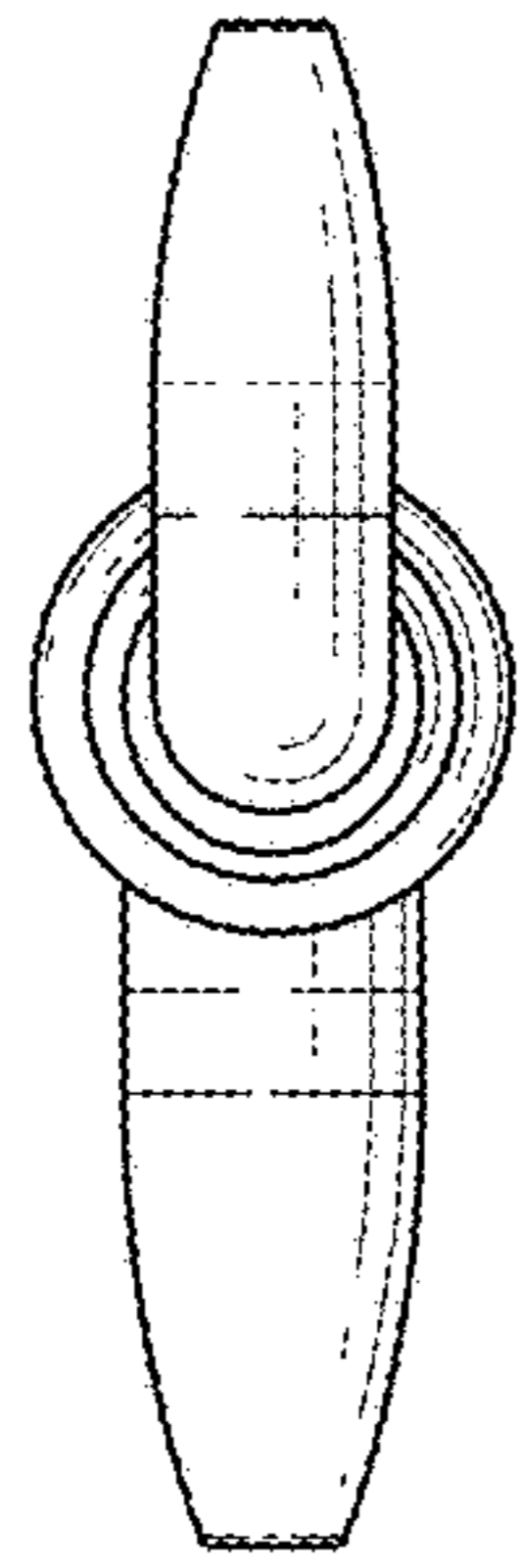


FIG. 42

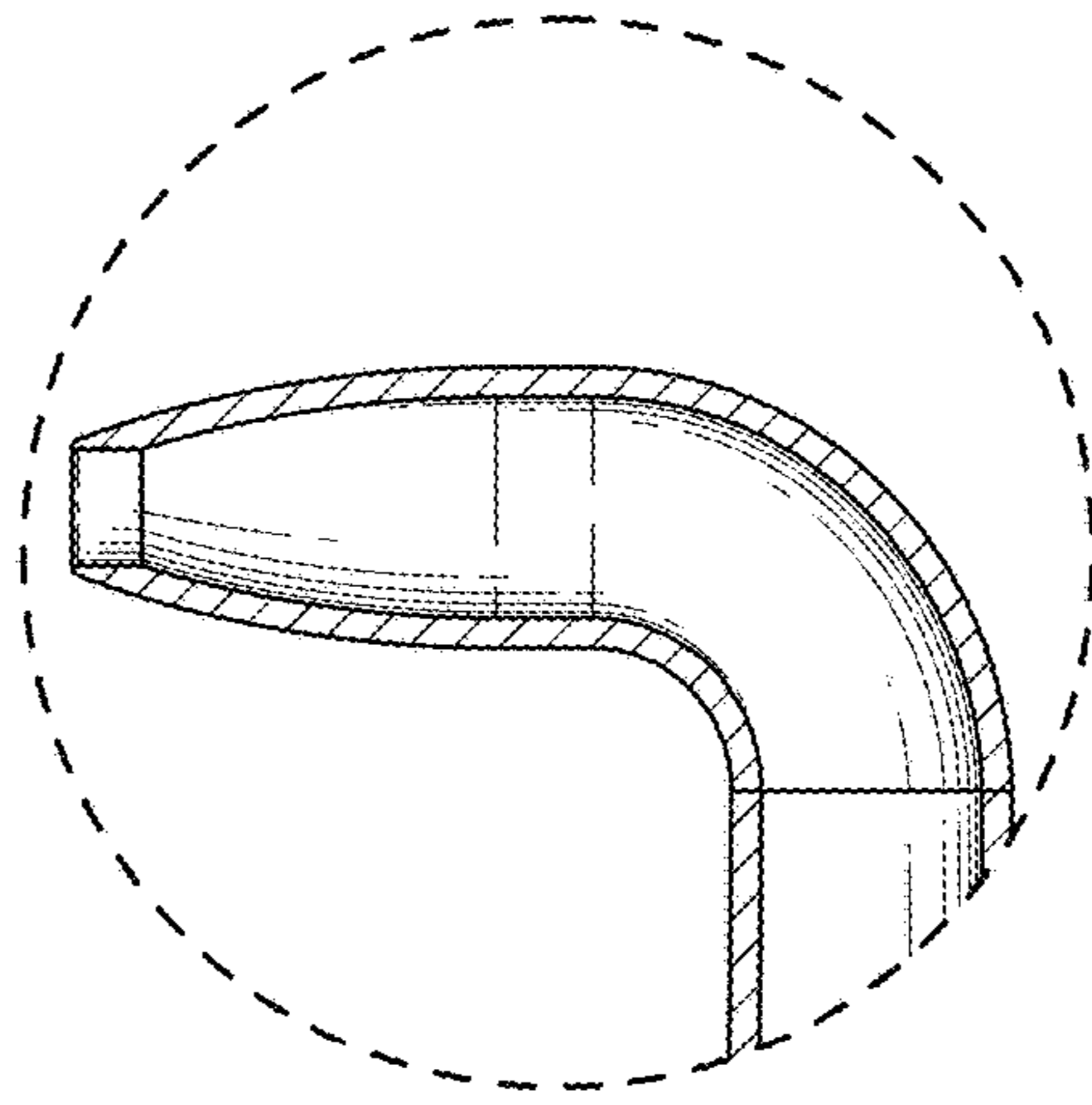


FIG. 44

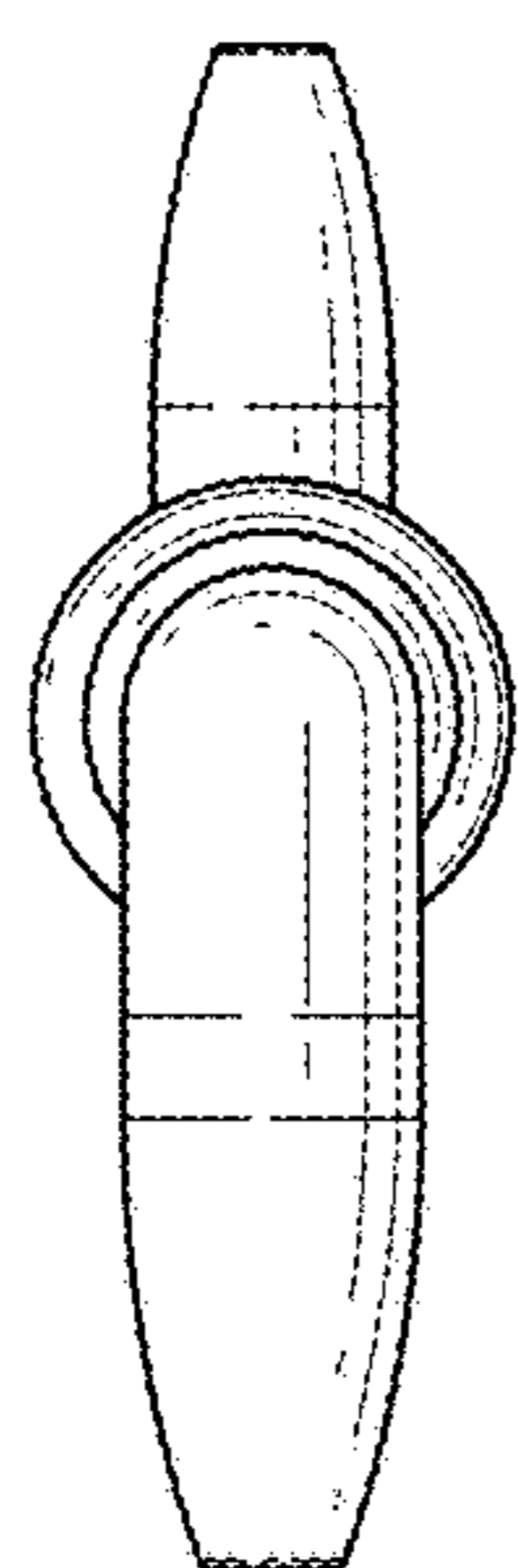


FIG. 41

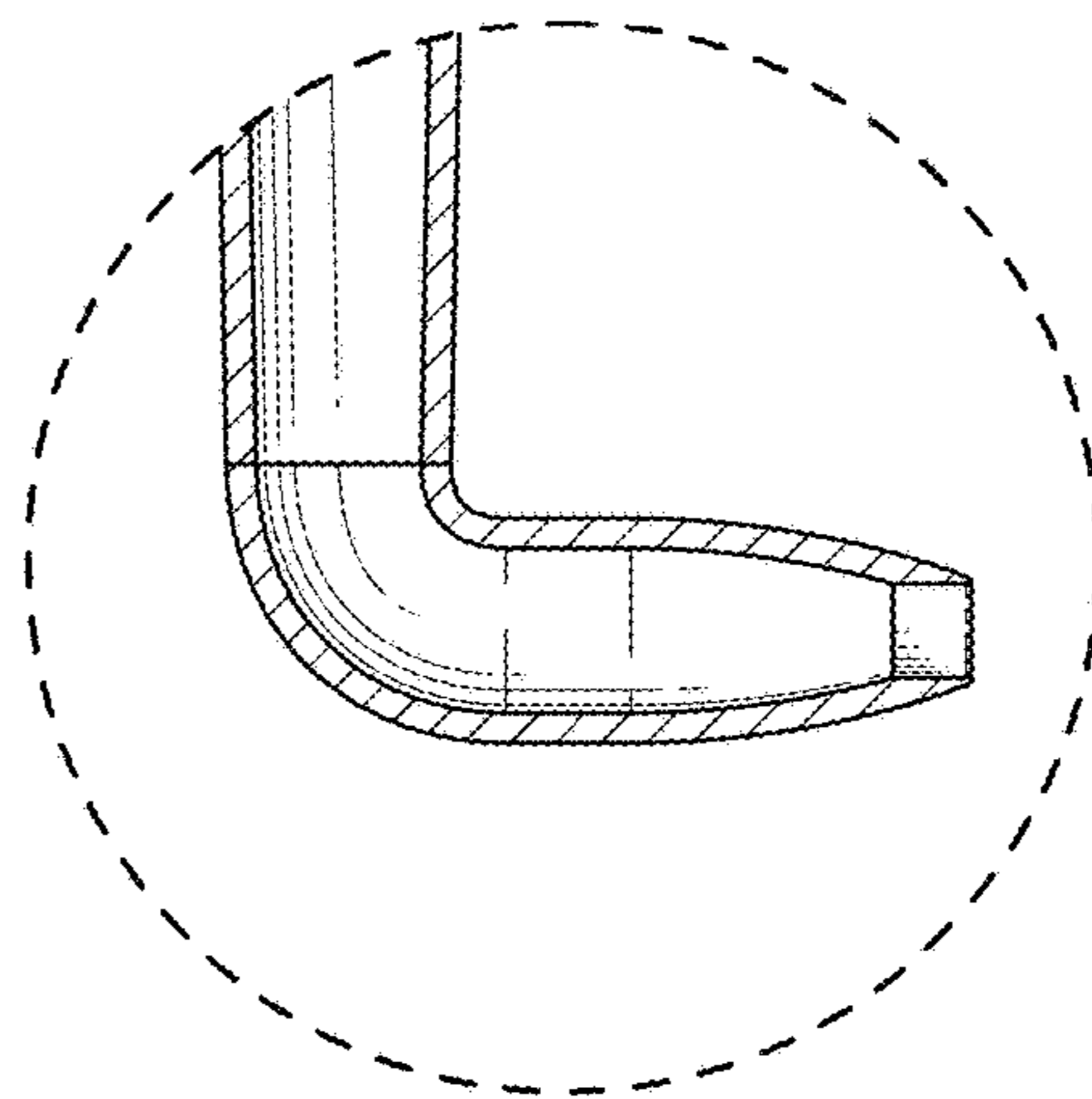


FIG. 43