



US00D852951S

(12) **United States Design Patent**
McElroy et al.

(10) **Patent No.:** **US D852,951 S**
(45) **Date of Patent:** **** Jul. 2, 2019**

- (54) **MULTI-PART COLLAR**
- (71) Applicant: **West Pharmaceutical Services, Inc.,**
Exton, PA (US)
- (72) Inventors: **Terry McElroy**, Bray (IE); **Colin Dowling**, Dublin (IE); **Patrick Dowling**, Dublin (IE); **Martin McGarry**, Dublin (IE)
- (73) Assignee: **West Pharmaceutical Services, Inc.,**
Exton, PA (US)
- (**) Term: **15 Years**
- (21) Appl. No.: **29/649,787**
- (22) Filed: **Jun. 1, 2018**

- D445,501 S * 7/2001 Niedo spial, Jr. D24/129
- D445,502 S * 7/2001 Maeji D24/130
- 6,702,787 B2 * 3/2004 Racenet A61B 17/34
604/158
- 7,780,639 B2 * 8/2010 Van Lue A61B 17/3462
604/264
- 8,241,251 B2 * 8/2012 Gresham A61B 17/3498
604/164.01
- 8,292,851 B2 * 10/2012 Ferrari A61B 17/0206
604/164.04
- 8,328,761 B2 * 12/2012 Widenhouse A61B 17/3462
604/164.08
- 8,539,951 B1 * 9/2013 Meyer A61M 16/0066
128/205.24
- 9,011,363 B2 * 4/2015 Clopp A61F 11/002
604/8
- 9,907,916 B2 3/2018 Evans et al.
- D825,748 S * 8/2018 Gro er D24/130

(Continued)

Related U.S. Application Data

- (63) Continuation of application No. 29/634,271, filed on Jan. 19, 2018.
- (51) **LOC (11) Cl.** **24-02**
- (52) **U.S. Cl.**
USPC **D24/130**
- (58) **Field of Classification Search**
USPC D24/127–131, 112–114, 133, 186;
606/181, 185; 604/264, 523–528, 272,
604/187, 158, 164.01–164.11, 181, 184,
604/227; 600/101, 139, 143;
128/200.24, 207.14, 207.15
CPC A61M 25/00; A61M 39/00; A61M 27/00;
A61M 25/0043; A61M 25/0067; A61M
25/0097; A61F 2/958
See application file for complete search history.

Primary Examiner — David G Muller
(74) *Attorney, Agent, or Firm* — Sterne, Kessler,
Goldstein & Fox P.L.L.C.

(57) **CLAIM**

The ornamental design for a multi-part collar, as shown and described.

DESCRIPTION

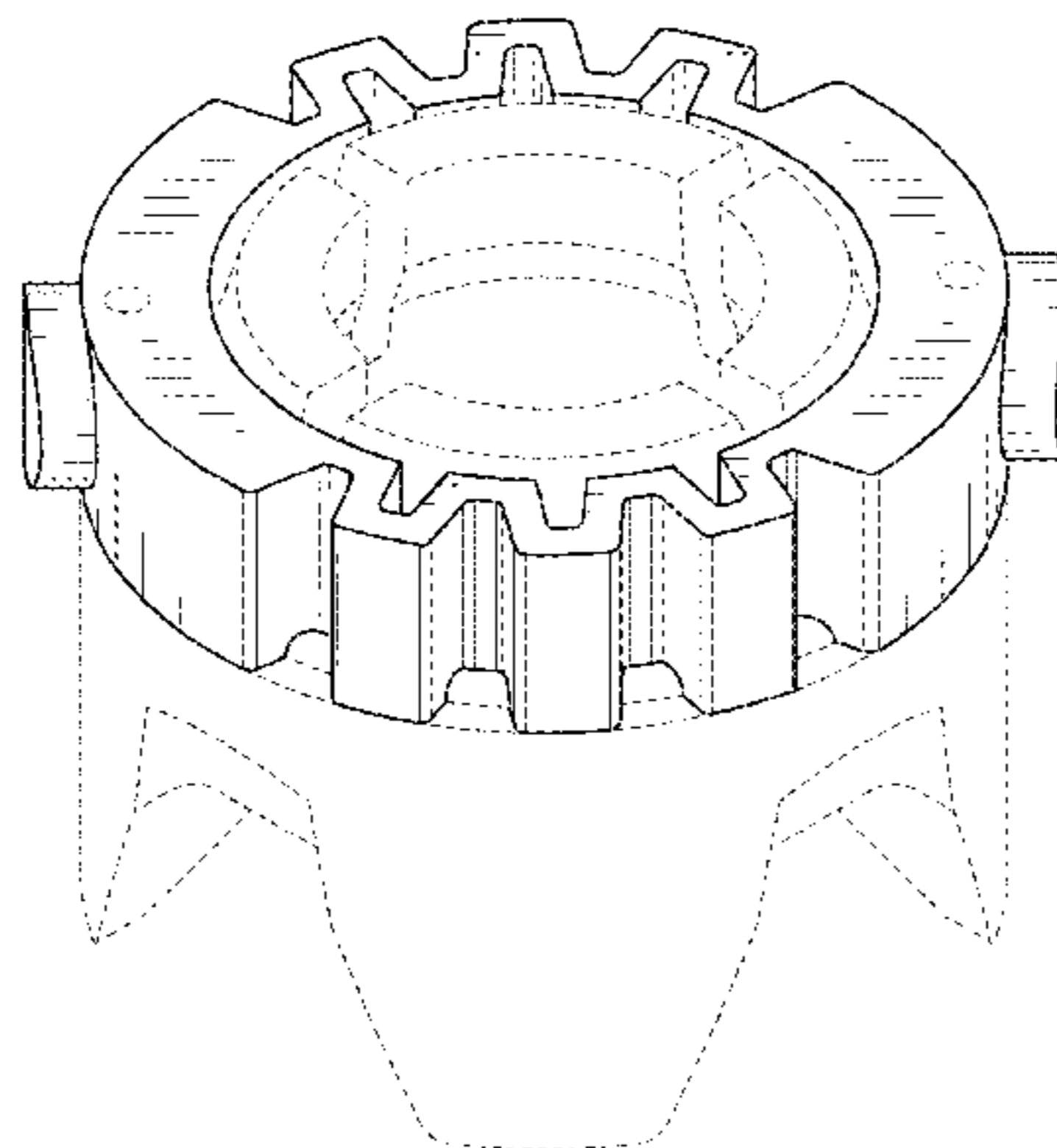
FIG. 1 is a top front perspective view of a multi-part collar showing the claimed design;
FIG. 2 is a top view thereof;
FIG. 3 is a bottom view thereof;
FIG. 4 is a left side view thereof, the right side view being a mirror image thereof; and,
FIG. 5 is a front view thereof, the rear view being a mirror image thereof.
The broken lines in the figures show portions of the multi-part collar that form no part of the claimed design.

(56) **References Cited**

U.S. PATENT DOCUMENTS

- 5,876,379 A * 3/1999 Beauvais A61M 5/3129
604/181
- D437,412 S * 2/2001 Maeji D24/127

1 Claim, 3 Drawing Sheets



(56)

References Cited

U.S. PATENT DOCUMENTS

D831,198 S * 10/2018 Ross D24/127
2015/0246182 A1 9/2015 Evans et al.

* cited by examiner

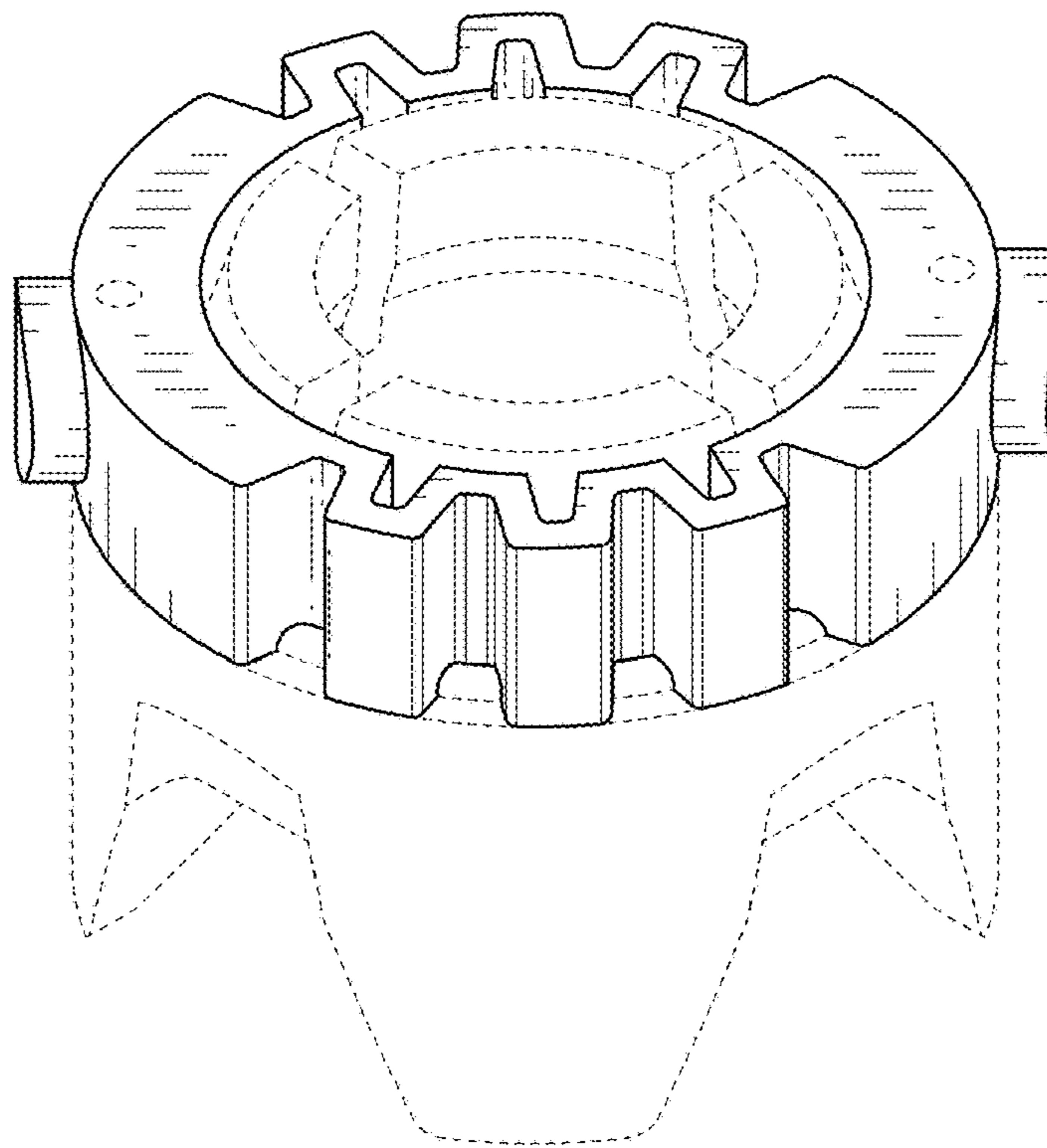


Fig. 1

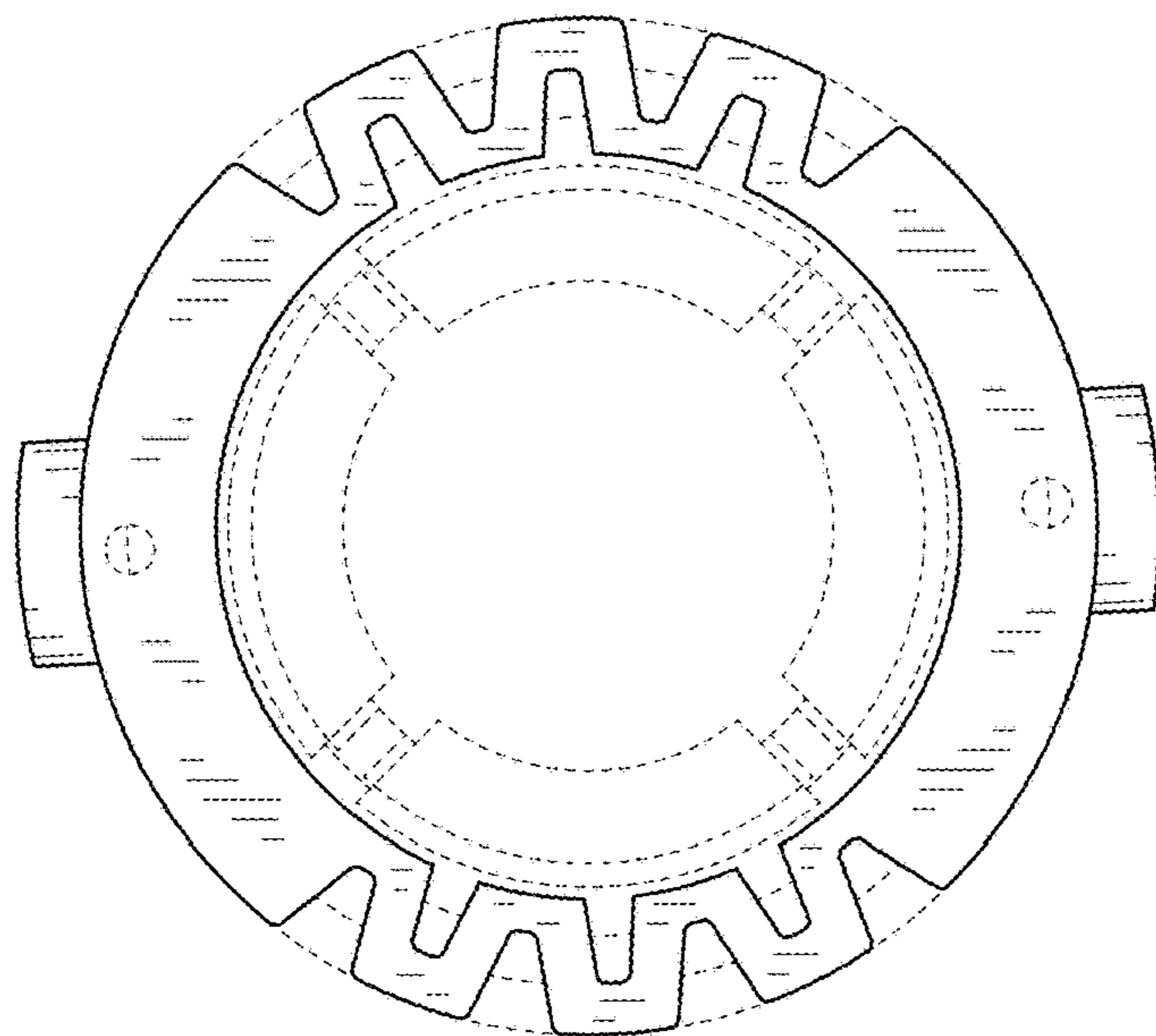


Fig. 2

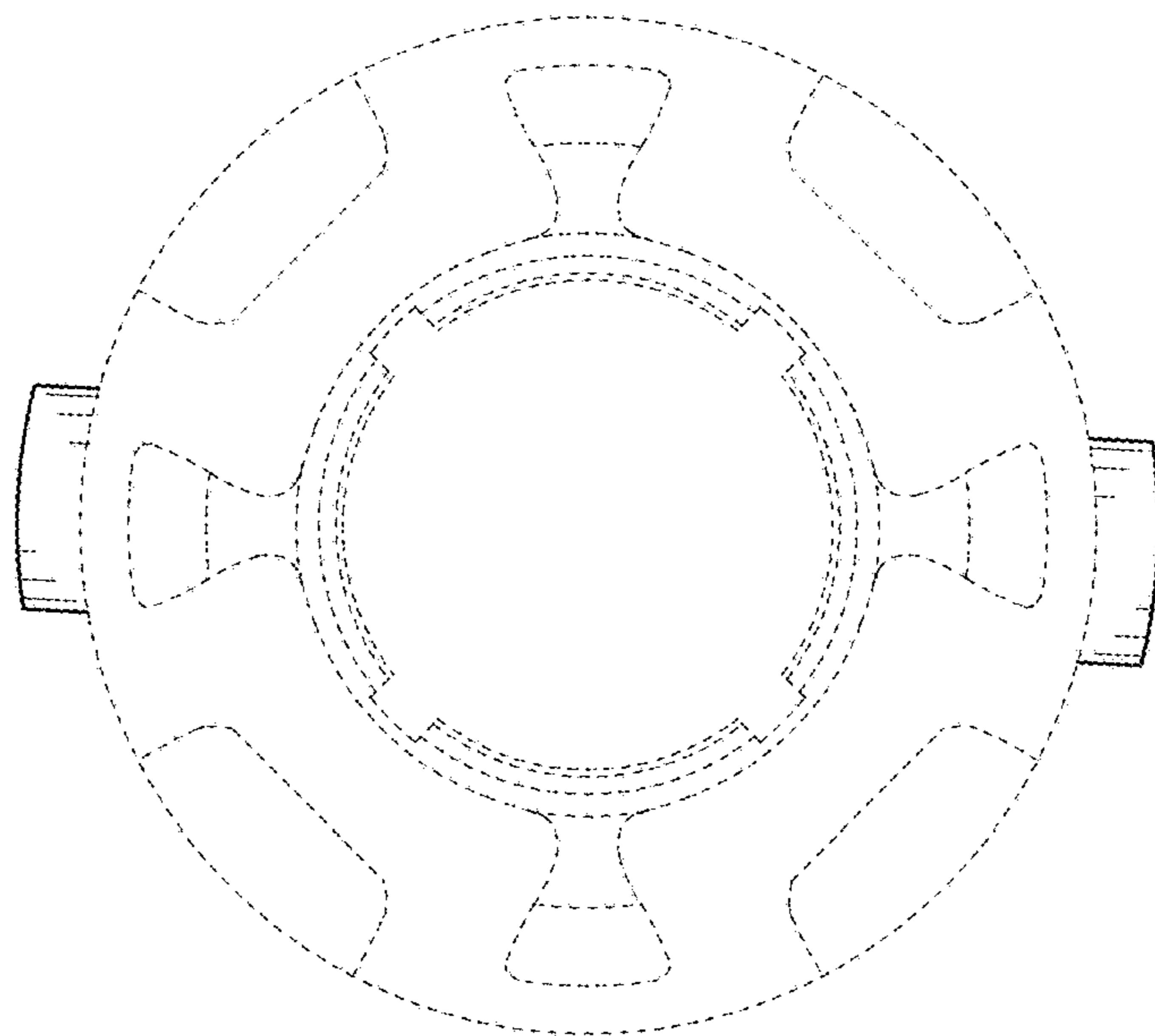


Fig. 3

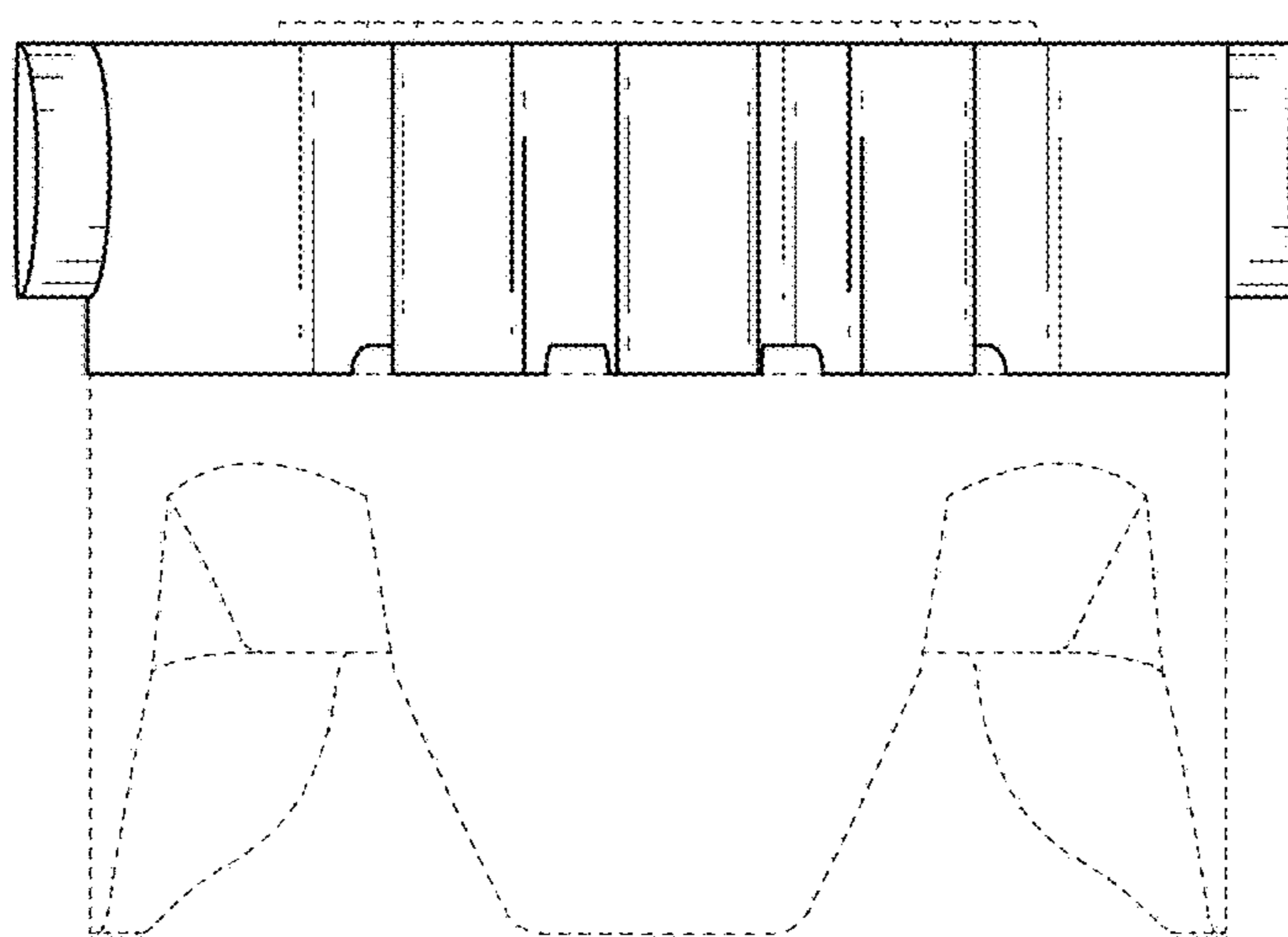


Fig. 4

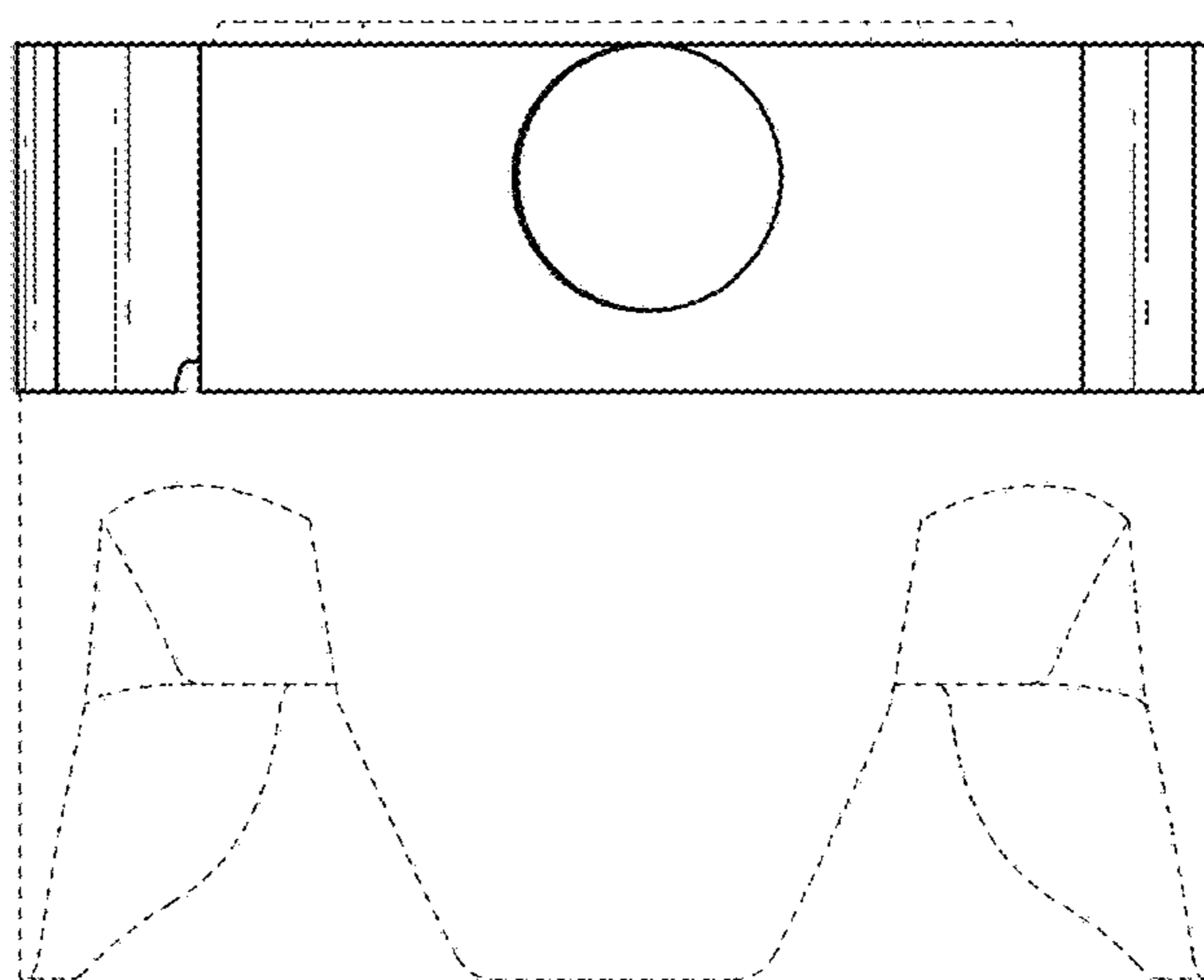


Fig. 5