



US00D852950S

(12) **United States Design Patent**  
**Wise et al.**

(10) **Patent No.:** **US D852,950 S**  
(45) **Date of Patent:** **\*\* Jul. 2, 2019**

(54) **PORT AND TUBE HOLDER ASSEMBLY**

(71) Applicant: **LIFE TECHNOLOGIES CORPORATION**, Carlsbad, CA (US)

(72) Inventors: **Tristan Wise**, North Logan, UT (US);  
**Charles Rhodes**, Preston, ID (US)

(73) Assignee: **Life Technologies Corporation**,  
Carlsbad, CA (US)

(\*\*) Term: **15 Years**

(21) Appl. No.: **29/638,963**

(22) Filed: **Mar. 2, 2018**

(51) **LOC (11) Cl.** ..... **24-02**

(52) **U.S. Cl.**  
USPC ..... **D24/128**

(58) **Field of Classification Search**  
USPC ..... D24/127-131, 112-114, 133, 186;  
D8/395, 72; 606/181, 185; 604/264,  
(Continued)

(56) **References Cited**

U.S. PATENT DOCUMENTS

- 3,096,551 A \* 7/1963 Shoberg ..... H02G 11/00  
24/132 R
- D274,127 S \* 6/1984 Einhorn ..... D19/65  
(Continued)

*Primary Examiner* — David G Muller

(74) *Attorney, Agent, or Firm* — Michael J. Smith

(57) **CLAIM**

The ornamental design for a design for port and tube holder assembly, as shown and described.

**DESCRIPTION**

FIG. 1 is a top-front perspective view of an embodiment of a design for port and tube holder assembly in a closed configuration for our new design.

FIG. 2 is a bottom-rear perspective view of an embodiment of a design for port and tube holder assembly in a closed configuration for our new design.

FIG. 3 is a front view of an embodiment of a design for port and tube holder assembly in a closed configuration for our new design.

FIG. 4 is a rear view of an embodiment of a design for port and tube holder assembly in a closed configuration for our new design.

FIG. 5 is a right-side view of an embodiment of a design for port and tube holder assembly in a closed configuration for our new design.

FIG. 6 is a left-side view of an embodiment of a design for port and tube holder assembly in a closed configuration for our new design.

FIG. 7 is a top view of an embodiment of a design for port and tube holder assembly in a closed configuration for our new design.

FIG. 8 is a bottom view of an embodiment of a design for port and tube holder assembly in a closed configuration for our new design.

FIG. 9 is a top-front perspective view of an embodiment of a design for port and tube holder assembly in an open configuration for our new design.

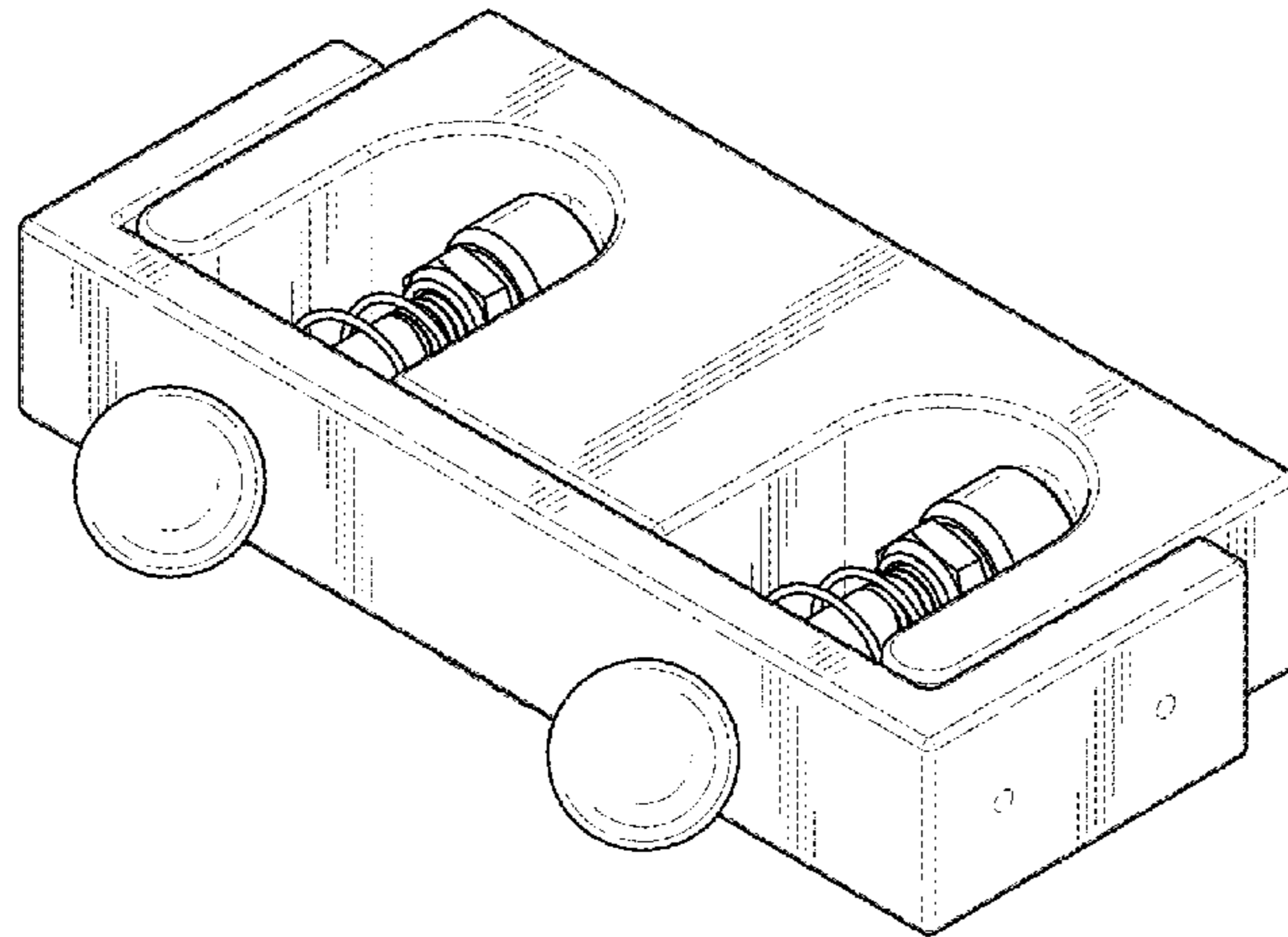
FIG. 10 is a bottom-rear perspective view of an embodiment of a design for port and tube holder assembly in an open configuration for our new design.

FIG. 11 is a bottom-front perspective view of an embodiment of a design for port and tube holder assembly in an open configuration for our new design; and,

FIG. 12 is a bottom-front perspective view of an embodiment of a design for port and tube holder assembly in a closed configuration for our new design.

The portions of the features depicted in broken lines are not part of the claimed design.

**1 Claim, 12 Drawing Sheets**



(58) **Field of Classification Search**

USPC ..... 604/523–528, 272, 187, 158,  
604/164.01–164.11, 181, 184, 227;  
600/101, 139, 143; 128/200.24, 207.14,  
128/207.15  
CPC ..... A61M 25/00; A61M 39/00; A61M 27/00;  
A61M 25/0043; A61M 25/0067; A61M  
25/0097; A61F 2/958

See application file for complete search history.

(56) **References Cited**

U.S. PATENT DOCUMENTS

4,968,078 A \* 11/1990 Fitzwater ..... B25B 5/06  
24/509  
D371,497 S \* 7/1996 Cottone ..... D8/72  
D421,715 S \* 3/2000 Won ..... D8/395  
D436,814 S \* 1/2001 Gore ..... D8/51  
D454,777 S \* 3/2002 Yoshiguchi ..... D8/383  
D465,408 S \* 11/2002 Man ..... D8/383  
D513,172 S \* 12/2005 Rutsky ..... D8/395  
D563,781 S \* 3/2008 Carnevali ..... D8/395  
D793,852 S \* 8/2017 Rathman ..... D8/395  
D808,788 S \* 1/2018 Ackerman ..... D8/395  
D835,505 S \* 12/2018 De Los Santos ..... D8/396

\* cited by examiner

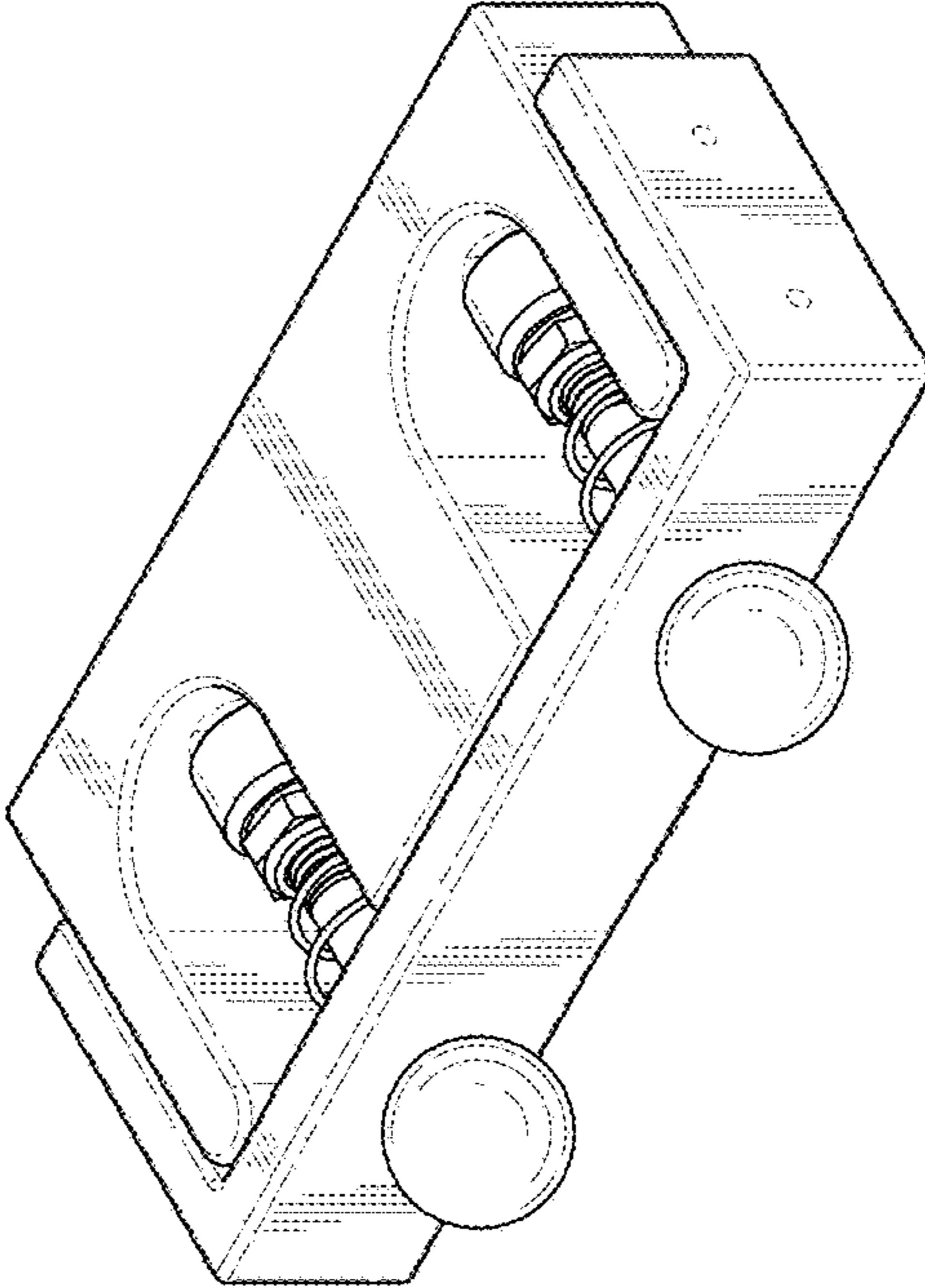


FIG. 1

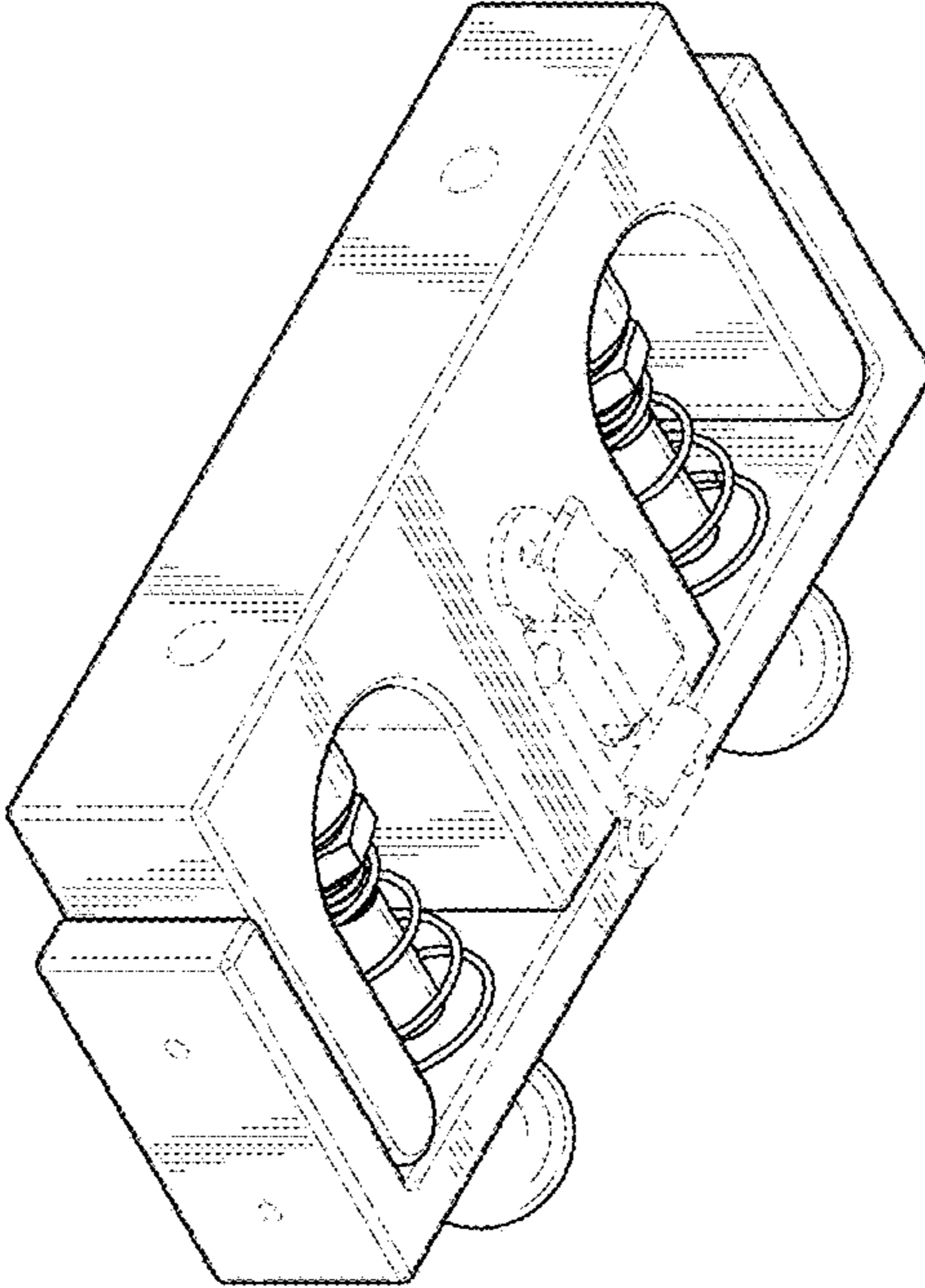


FIG. 2

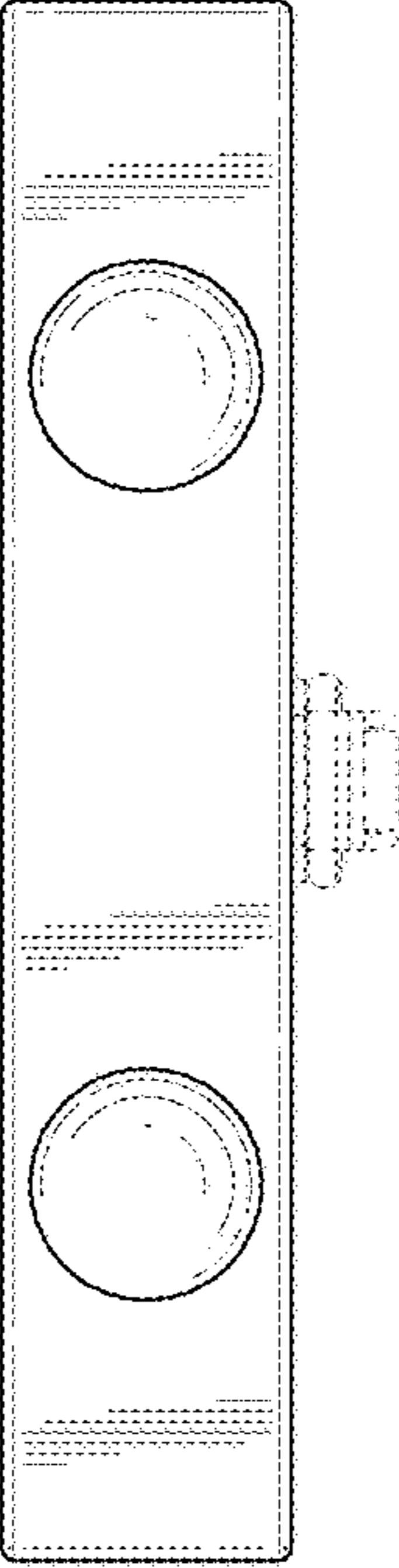


FIG. 3

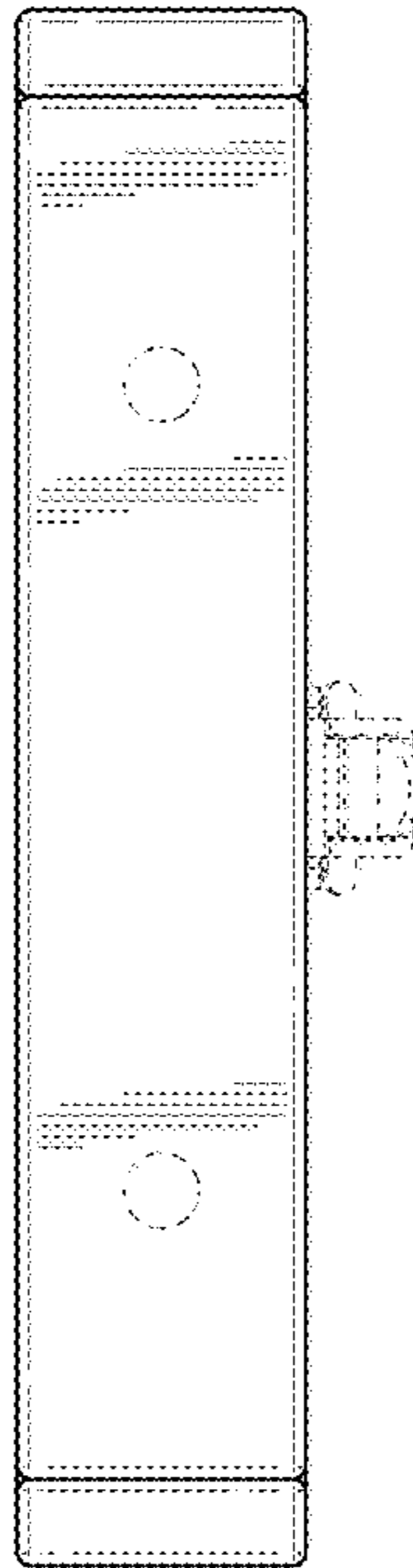


FIG. 4

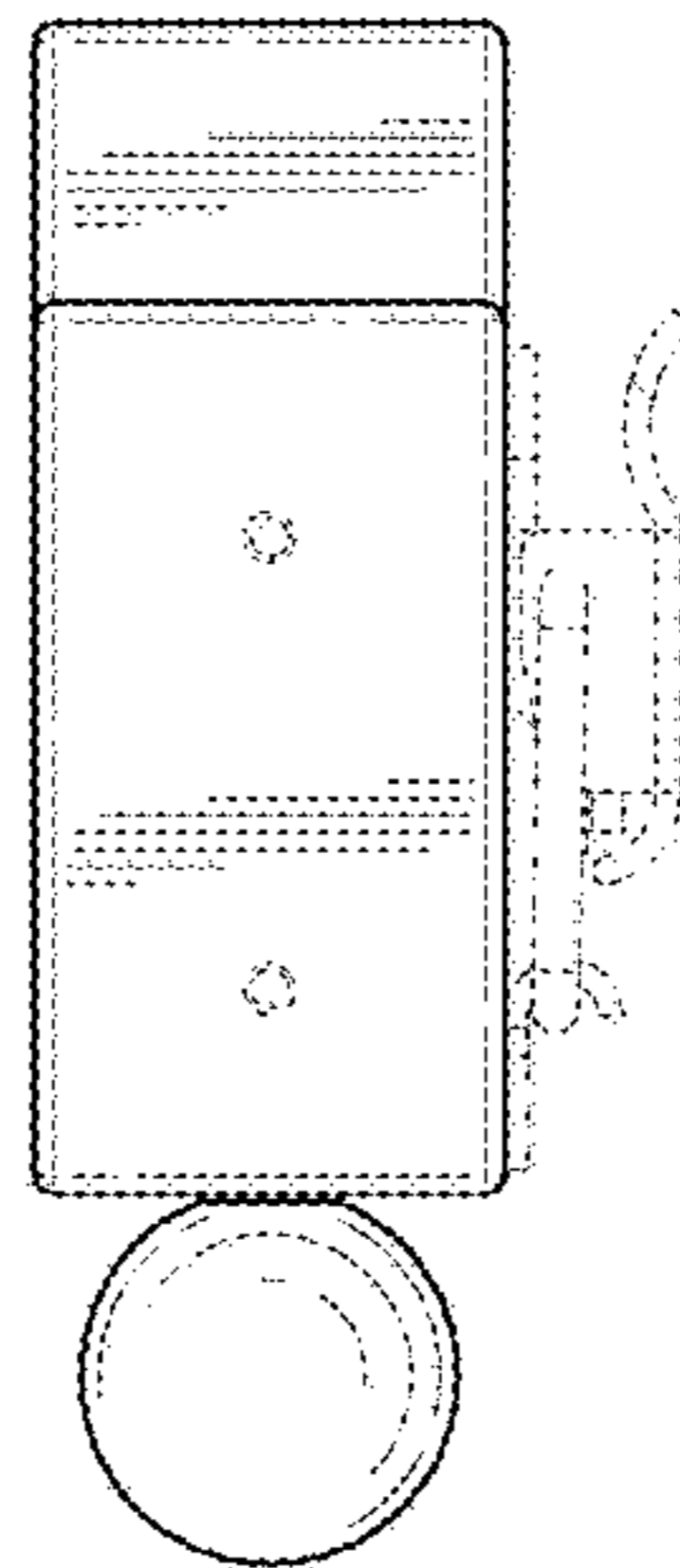


FIG. 5

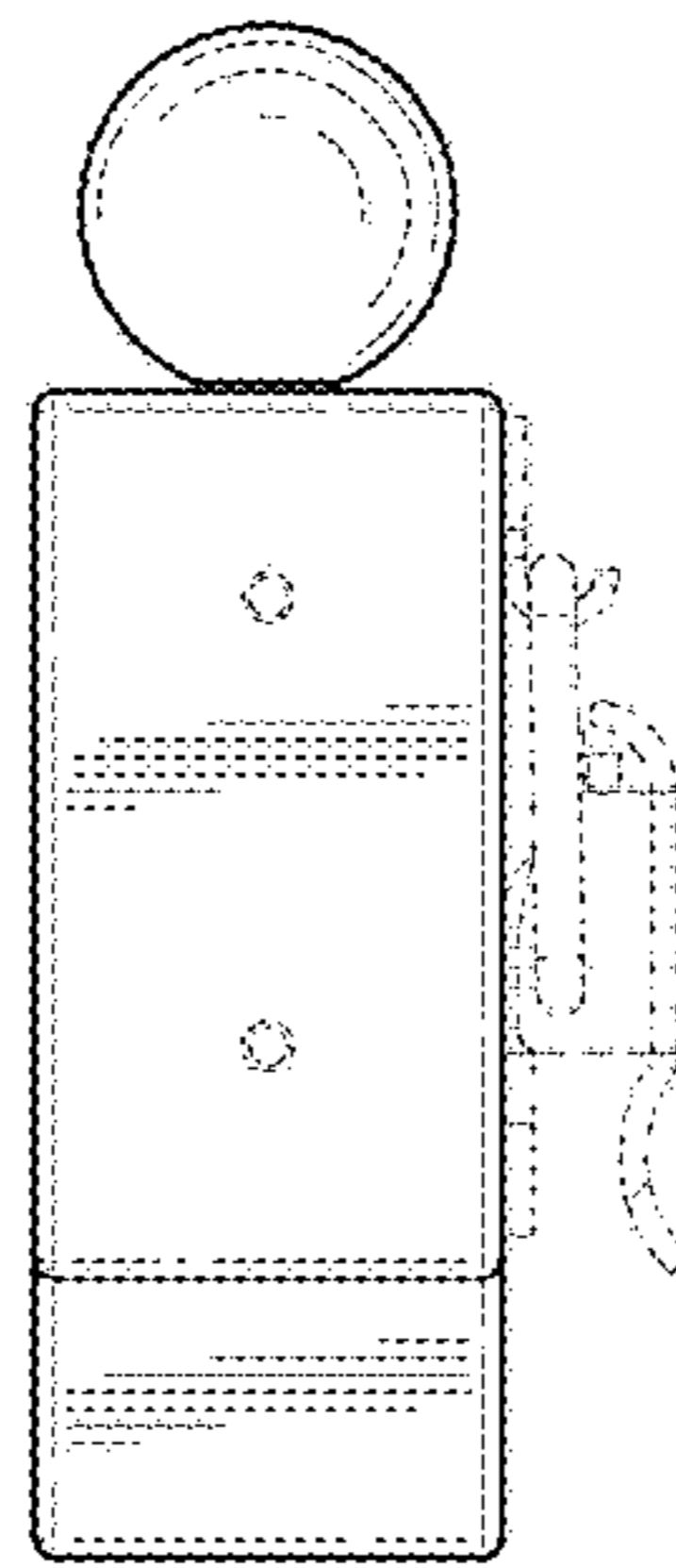


FIG. 6



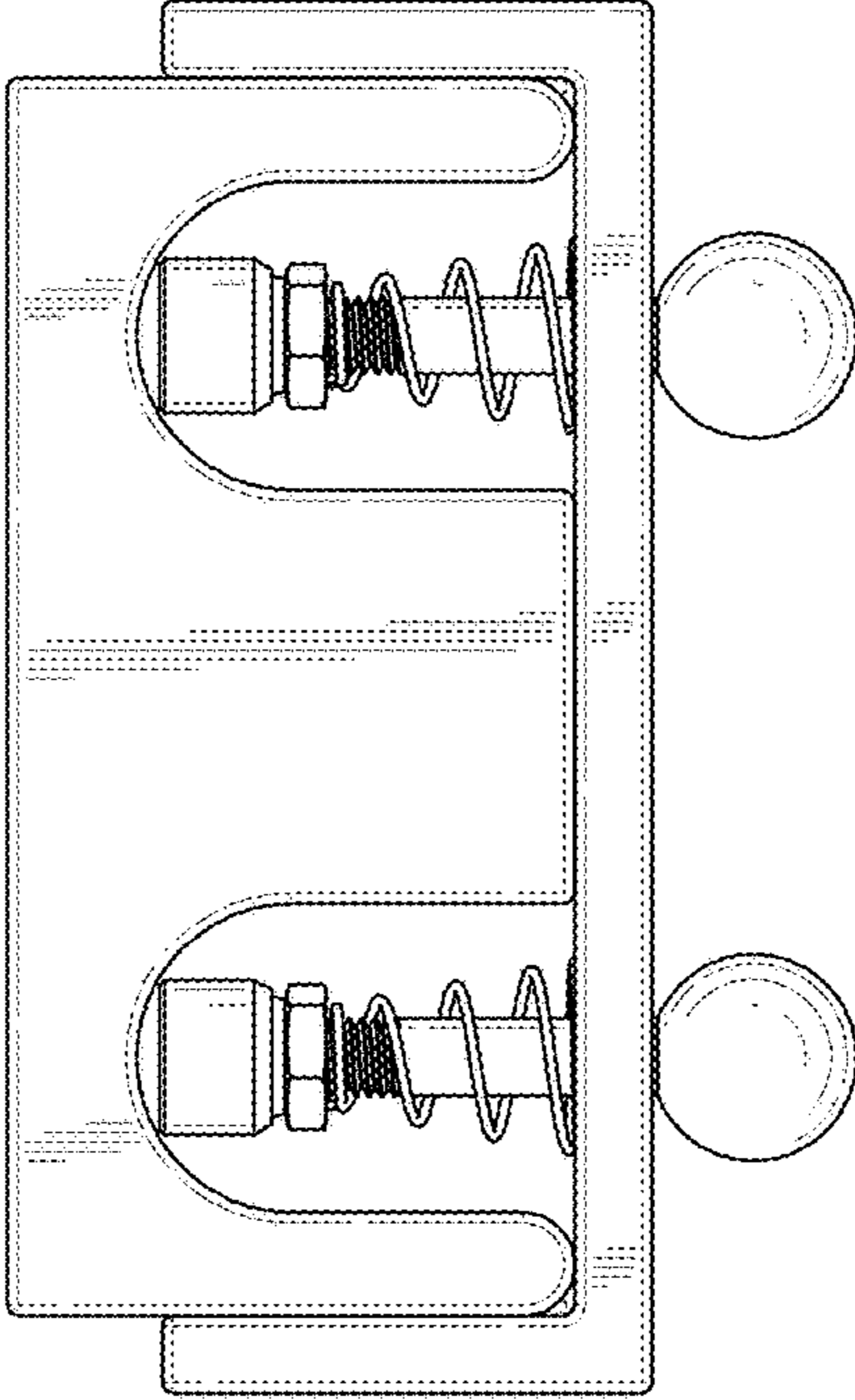


FIG. 7

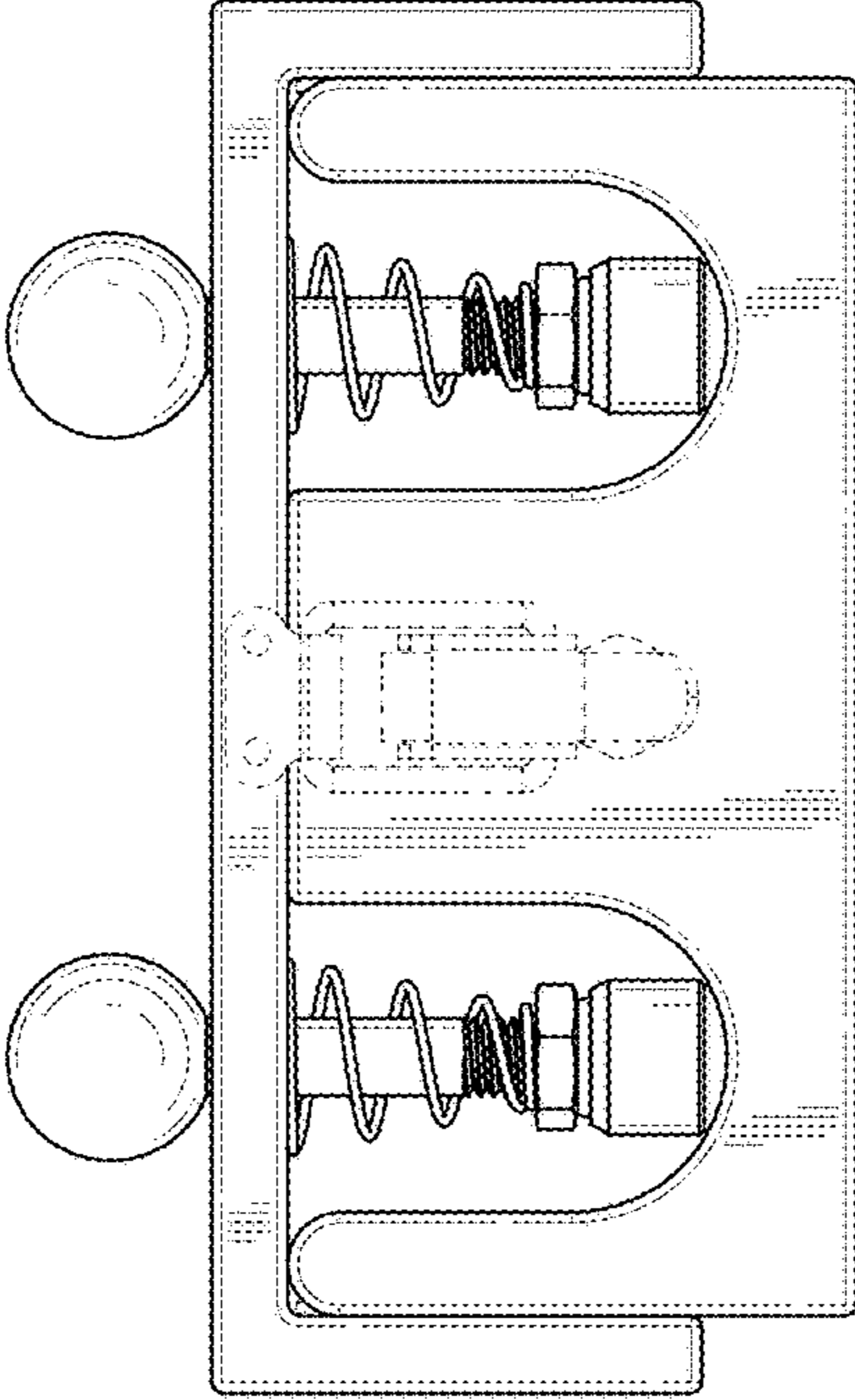
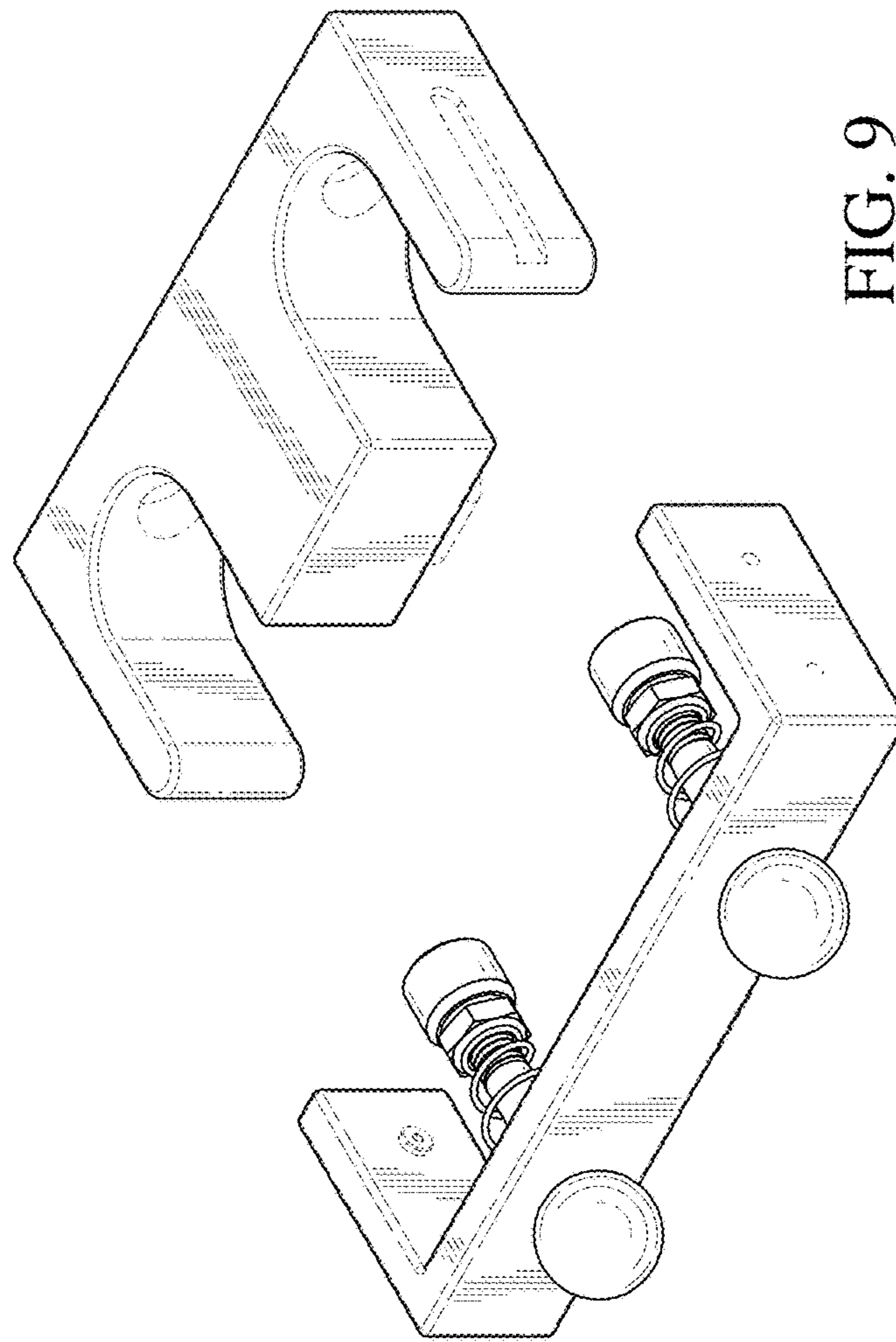


FIG. 8



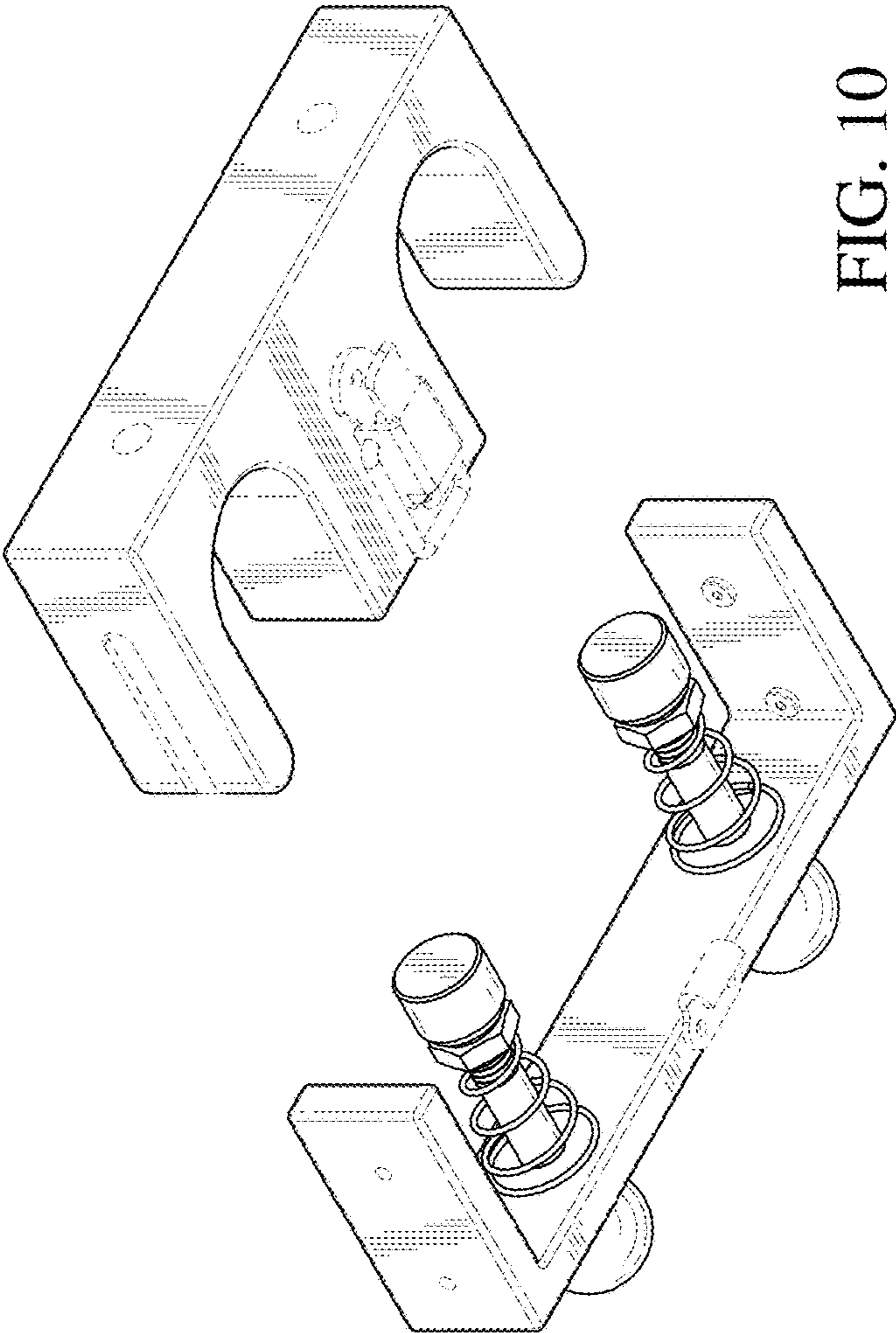


FIG. 10

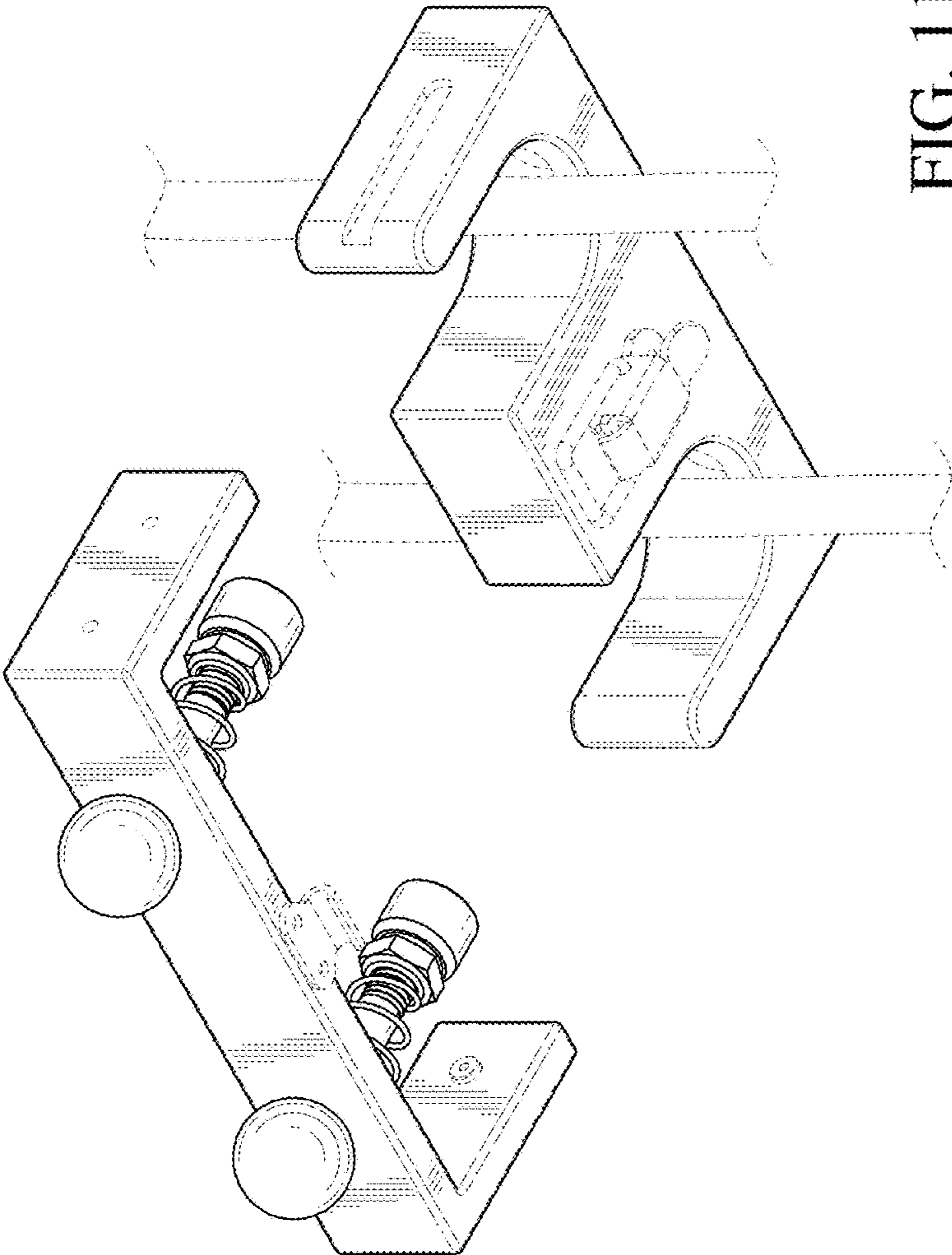


FIG. 11

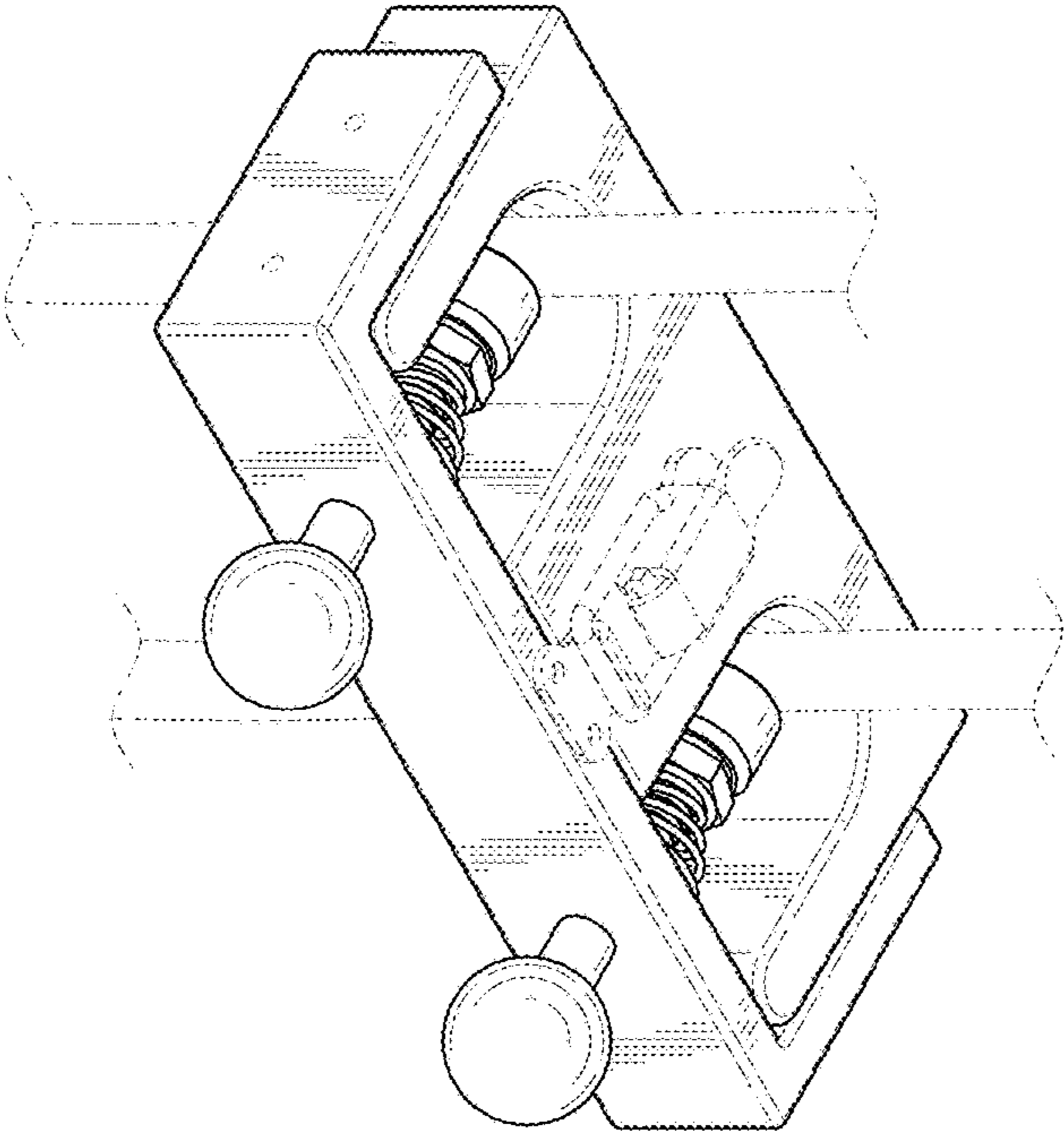


FIG. 12