

US00D852947S

(12) **United States Design Patent** (10) **Patent No.:** **US D852,947 S**
Dethlefs et al. (45) **Date of Patent:** **** Jul. 2, 2019**

(54) **INHALER**

(71) Applicant: **Norton (Waterford) Limited**,
Waterford (IE)

(72) Inventors: **Sven Dethlefs**, Frazer, PA (US);
Frederic Scott Fleming, Amsterdam
(NL); **Mark Milton-Edwards**, Chesire
(GB); **Enrique Calderon Oliveras**,
Waterford (IE); **James Roche**, Wexford
(IE)

(73) Assignee: **NORTON (WATERFORD)**
LIMITED, Waterford (IE)

(*) Notice: This patent is subject to a terminal dis-
claimer.

(**) Term: **15 Years**

(21) Appl. No.: **29/581,768**

(22) Filed: **Oct. 21, 2016**

(51) **LOC (11) Cl.** **29-02**

(52) **U.S. Cl.**
USPC **D24/110**

(58) **Field of Classification Search**
USPC D24/107, 108, 110, 110.5, 127, 164
CPC A61M 15/0001; A61M 15/00; A61M
15/0065; A61M 15/0091; A61M 15/0026;
A61M 11/00; A61M 11/02; A61M 11/04;
A61M 15/0068; A61M 15/0071
See application file for complete search history.

(56) **References Cited**

U.S. PATENT DOCUMENTS

D348,929 S * 7/1994 Paton D24/110
D582,543 S * 12/2008 Lucking D24/110
D598,536 S * 8/2009 Parkes D24/110
D629,504 S * 12/2010 Zuyderhoudt D24/110
D629,507 S * 12/2010 Zuyderhoudt D24/110.5
D629,508 S * 12/2010 Zuyderhoudt D24/110.5

D629,889 S * 12/2010 Zuyderhoudt D24/110.5
D660,410 S * 5/2012 Zuyderhoudt D24/110
D660,411 S * 5/2012 Zuyderhoudt D24/110
D681,803 S * 5/2013 Sheehy D24/110
D681,804 S * 5/2013 Sheehy D24/110
D737,424 S 8/2015 Toksoz
D737,425 S 8/2015 Wiczorek
D737,426 S 8/2015 Nakamura
D739,522 S 9/2015 Von
D742,503 S 11/2015 Mullinger et al.
D744,087 S 11/2015 Bilgic

(Continued)

FOREIGN PATENT DOCUMENTS

WO WO 2016/033419 3/2016

OTHER PUBLICATIONS

U.S. Appl. No. 29/487,265, filed Apr. 7, 2014, Fosbury et al.

(Continued)

Primary Examiner — Lilyana Bekic

(74) *Attorney, Agent, or Firm* — BakerHostetler

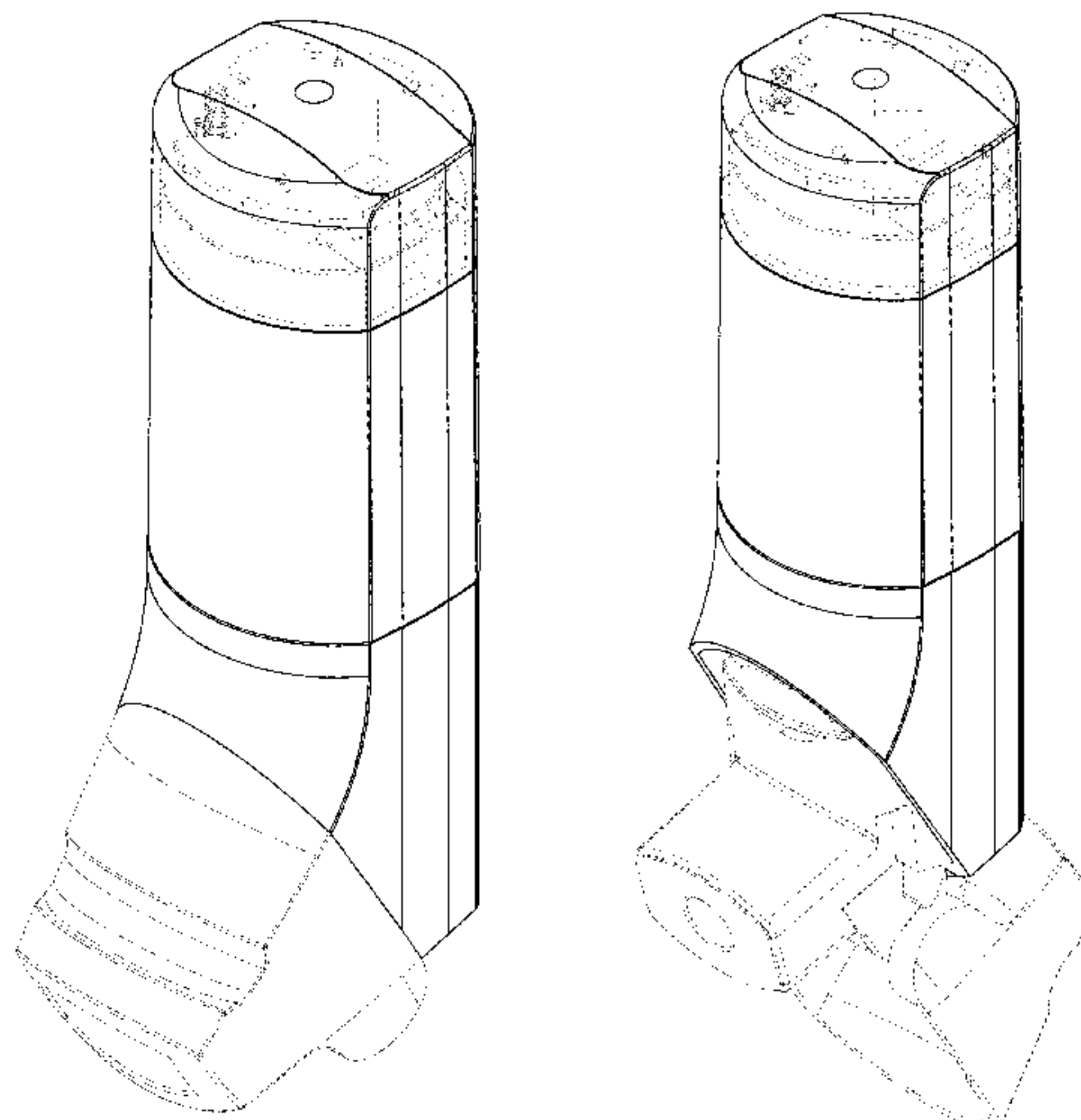
(57) **CLAIM**

The ornamental design for an inhaler, as shown and
described.

DESCRIPTION

FIG. 1 is a top, front, right perspective view of an inhaler
showing our new design;
FIG. 2 is a front elevation view thereof;
FIG. 3 is a rear elevation view thereof;
FIG. 4 is a left side elevation view thereof;
FIG. 5 is a right side elevation view thereof.
FIG. 6 is a top plan view thereof;
FIG. 7 is a bottom plan view thereof; and,
FIG. 8 is a top, front, right perspective view thereof, shown
with the cap in an open position.
The broken lines in the drawings depict portions of the
inhaler that form no part of the claimed design.

1 Claim, 7 Drawing Sheets



(56)

References Cited

U.S. PATENT DOCUMENTS

D744,636 S 12/2015 Sanders
 D745,138 S 12/2015 Toksoz
 D745,660 S 12/2015 Gruntad et al.
 D746,378 S 12/2015 Manowski et al.
 D747,793 S 1/2016 Wright
 D748,242 S 1/2016 Campbell et al.
 D769,436 S * 10/2016 Walsh D24/110
 D769,437 S * 10/2016 Walsh D24/110
 D772,394 S * 11/2016 Walsh D24/110
 D772,395 S * 11/2016 Walsh D24/110
 D782,647 S * 3/2017 Fosbury D24/110
 D782,648 S * 3/2017 Fosbury D24/110
 D782,649 S * 3/2017 Cottam D24/110
 D782,650 S * 3/2017 Milton-Edwards D24/110
 D782,651 S * 3/2017 Milton-Edwards D24/110
 D782,652 S * 3/2017 Milton-Edwards D24/110
 D782,653 S * 3/2017 Fosbury D24/110
 D783,147 S * 4/2017 Fosbury D24/110
 D783,148 S * 4/2017 Fosbury D24/110
 D783,149 S * 4/2017 Fosbury D24/110
 D783,150 S * 4/2017 Cottam D24/110
 D783,151 S * 4/2017 Cottam D24/110
 D783,152 S * 4/2017 Fosbury D24/110
 D783,153 S * 4/2017 Cottam D24/110
 D783,154 S * 4/2017 Fosbury D24/110
 D783,155 S * 4/2017 Fosbury D24/110
 D783,156 S * 4/2017 Milton-Edwards D24/110
 D783,157 S * 4/2017 Milton-Edwards D24/110
 D783,158 S * 4/2017 Milton-Edwards D24/110
 D783,159 S * 4/2017 Fosbury D24/110
 D783,804 S * 4/2017 Fosbury D24/110
 D783,805 S * 4/2017 Milton-Edwards D24/110
 D783,806 S * 4/2017 Milton-Edwards D24/110
 D783,807 S * 4/2017 Fosbury D24/110
 9,731,087 B2 * 8/2017 Walsh A61M 15/0065
 9,808,587 B2 * 11/2017 Walsh A61M 15/0078
 D832,997 S * 11/2018 Dethlefs D24/110
 D832,998 S * 11/2018 Oliveras D24/110
 D834,704 S * 11/2018 Atkin D24/110
 2002/0073996 A1 * 6/2002 O'Leary A61M 15/0045
 128/203.15
 2008/0314383 A1 12/2008 Barney et al.
 2011/0108030 A1 5/2011 Blair et al.

2011/0283997 A1 * 11/2011 Walsh A61M 15/0065
 128/200.23
 2012/0174918 A1 * 7/2012 Kaar A61M 15/009
 128/200.23
 2015/0099726 A1 * 4/2015 Dalvi A61K 31/57
 514/171
 2015/0231342 A1 * 8/2015 Walsh A61M 15/007
 128/203.12
 2016/0015914 A1 * 1/2016 Parkes A61M 15/0065
 128/203.15
 2016/0271345 A1 * 9/2016 Blair A61M 15/0065
 2016/0303336 A1 * 10/2016 Arp A61K 9/0075
 2017/0274163 A1 * 9/2017 Oliveras A61M 15/0071
 2018/0140786 A1 * 5/2018 Calderon Oliveras
 A61M 15/0083
 2018/0228986 A1 * 8/2018 Buck A61M 15/009

OTHER PUBLICATIONS

U.S. Appl. No. 29/487,267, filed Apr. 7, 2014, Fosbury et al.
 U.S. Appl. No. 29/487,272, filed Apr. 7, 2014, Fosbury et al.
 U.S. Appl. No. 29/487,274, filed Apr. 7, 2014, Cottam.
 U.S. Appl. No. 29/487,276, filed Apr. 7, 2014, Fosbury et al.
 U.S. Appl. No. 29/487,277, filed Apr. 7, 2014, Fosbury et al.
 U.S. Appl. No. 29/487,280, filed Apr. 7, 2014, Cottam.
 U.S. Appl. No. 29/487,285, filed Apr. 7, 2014, Cottam.
 U.S. Appl. No. 29/487,287, filed Apr. 7, 2014, Fosbury et al.
 U.S. Appl. No. 29/487,289, filed Apr. 7, 2014, Cottam.
 U.S. Appl. No. 29/487,290, filed Apr. 7, 2014, Fosbury et al.
 U.S. Appl. No. 29/487,291, filed Apr. 7, 2014, Milton-Edwards et al.
 U.S. Appl. No. 29/487,293, filed Apr. 7, 2014, Milton-Edwards et al.
 U.S. Appl. No. 29/487,294, filed Apr. 7, 2014, Fosbury et al.
 U.S. Appl. No. 29/487,295, filed Apr. 7, 2014, Fosbury.
 U.S. Appl. No. 29/487,296, filed Apr. 7, 2014, Milton-Edwards et al.
 U.S. Appl. No. 29/487,298, filed Apr. 7, 2014, Milton-Edwards.
 U.S. Appl. No. 29/487,299, filed Apr. 7, 2014, Milton-Edwards et al.
 U.S. Appl. No. 29/487,300, filed Apr. 7, 2014, Milton-Edwards et al.
 U.S. Appl. No. 29/487,301, filed Apr. 7, 2014, Milton-Edwards et al.
 U.S. Appl. No. 29/487,302, filed Apr. 7, 2014, Fosbury et al.
 U.S. Appl. No. 29/487,303, filed Apr. 7, 2014, Fosbury et al.
 U.S. Appl. No. 29/487,304, filed Apr. 7, 2014, Fosbury et al.
 U.S. Appl. No. 29/487,305, filed Apr. 7, 2014, Fosbury et al.

* cited by examiner

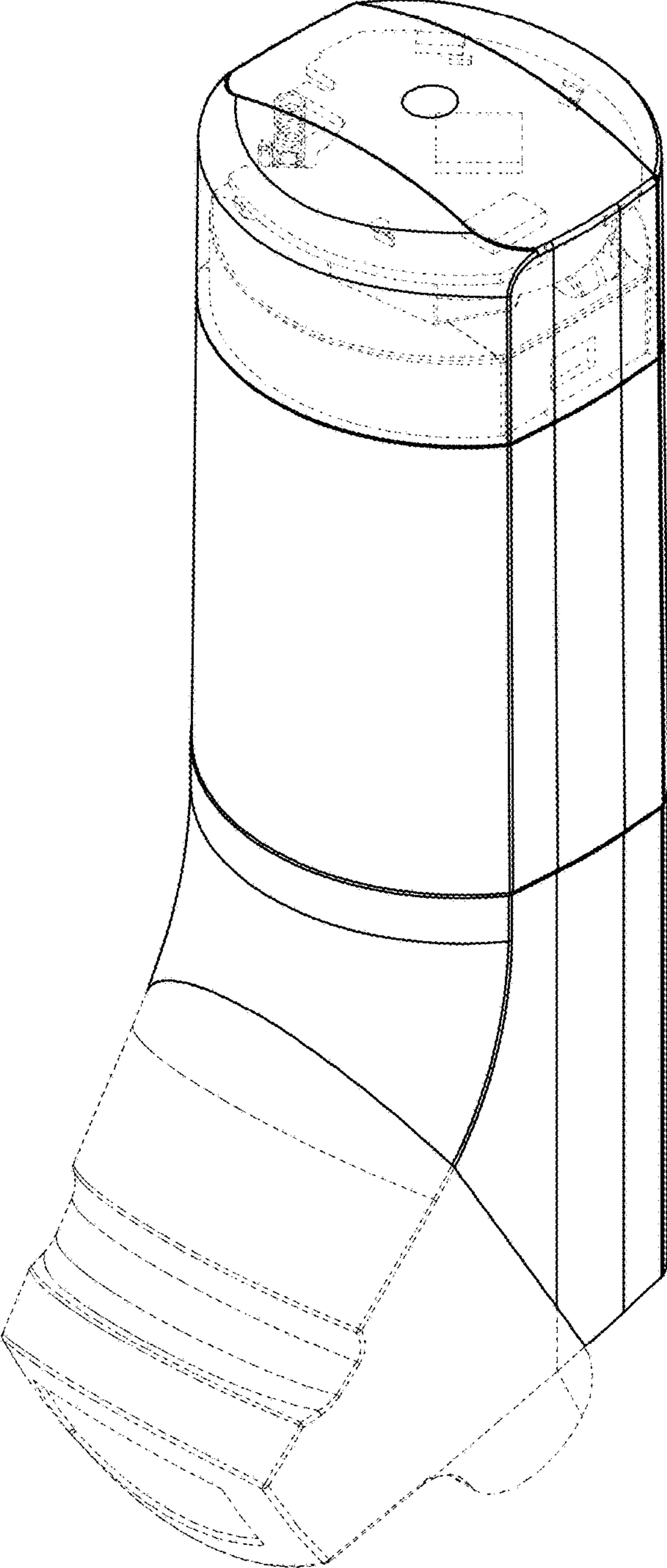


Fig.1

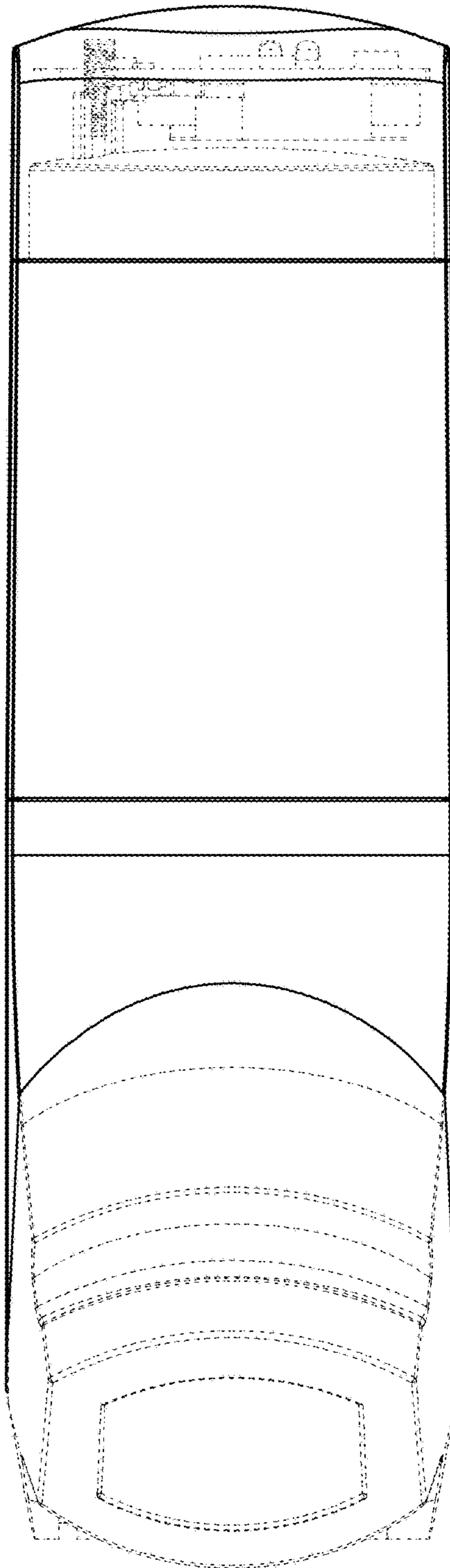


Fig.2

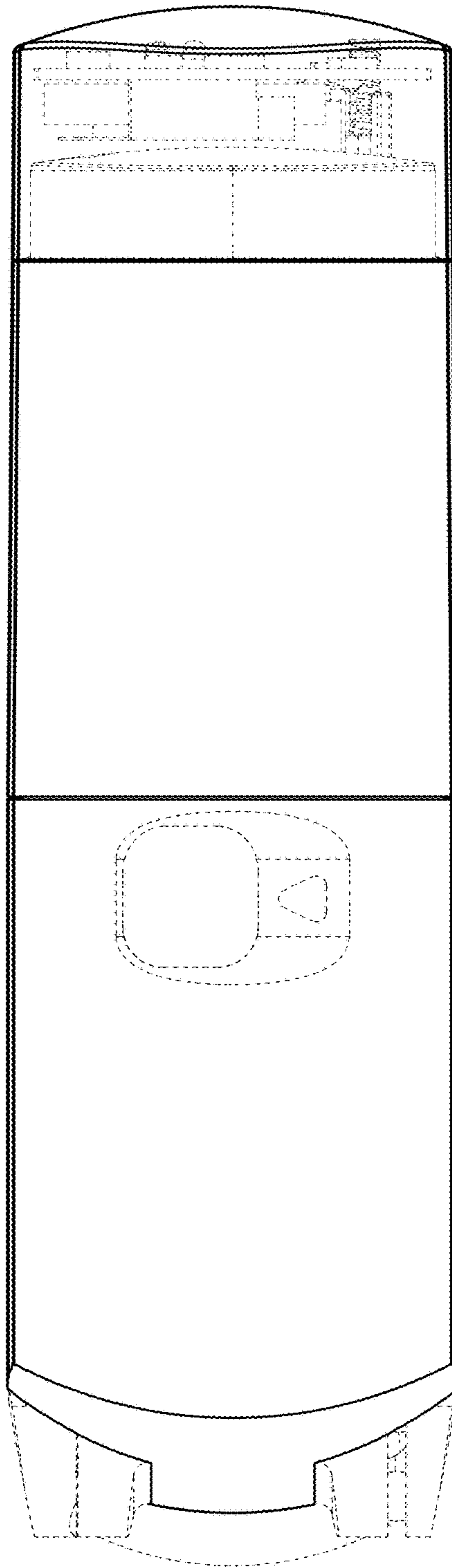


Fig.3

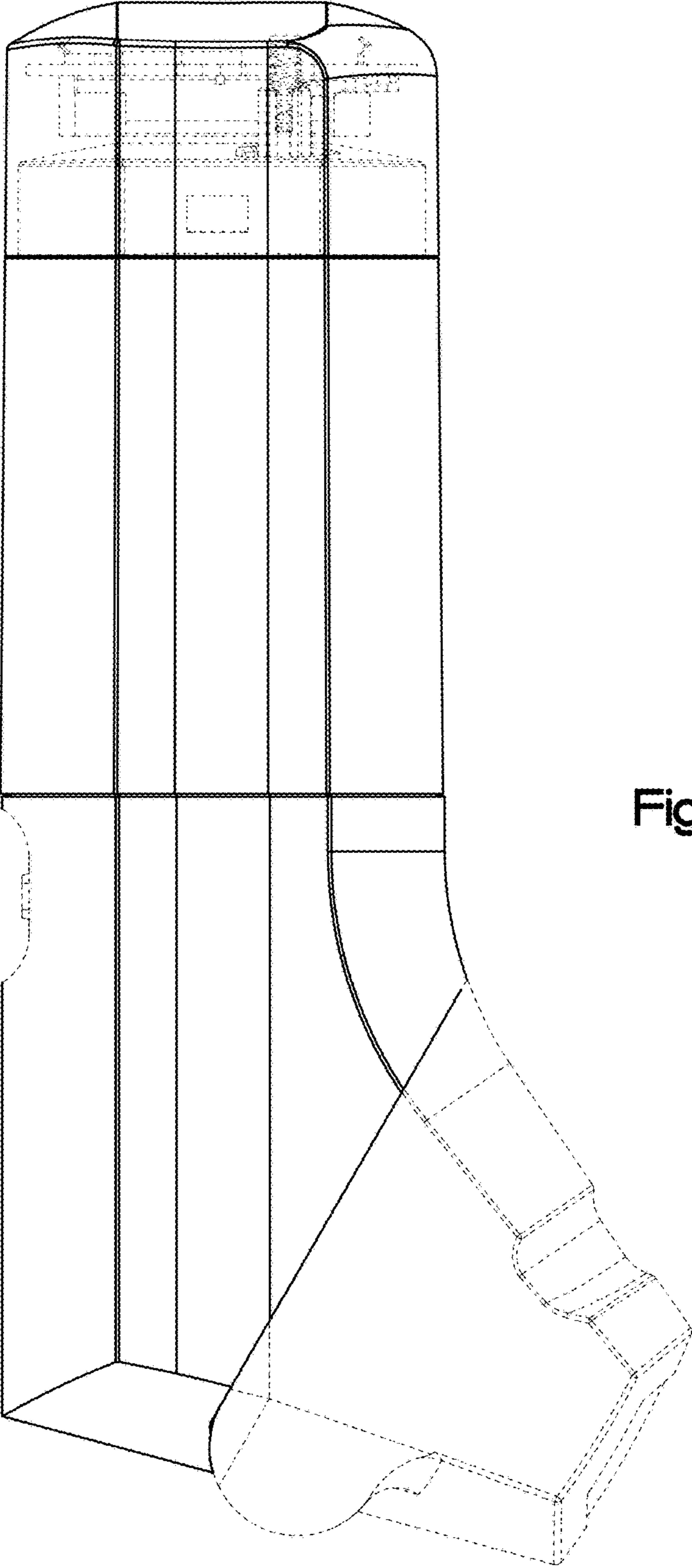


Fig.4

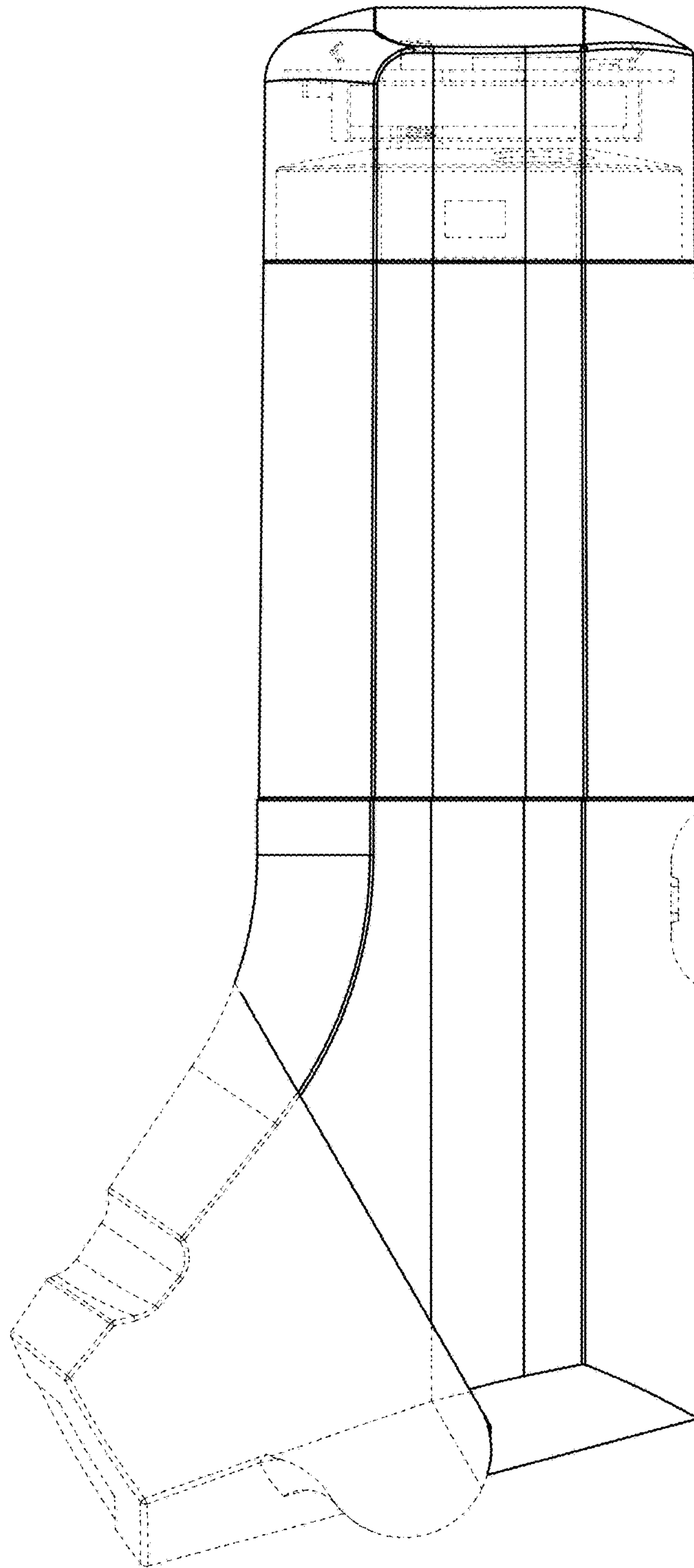


Fig.5

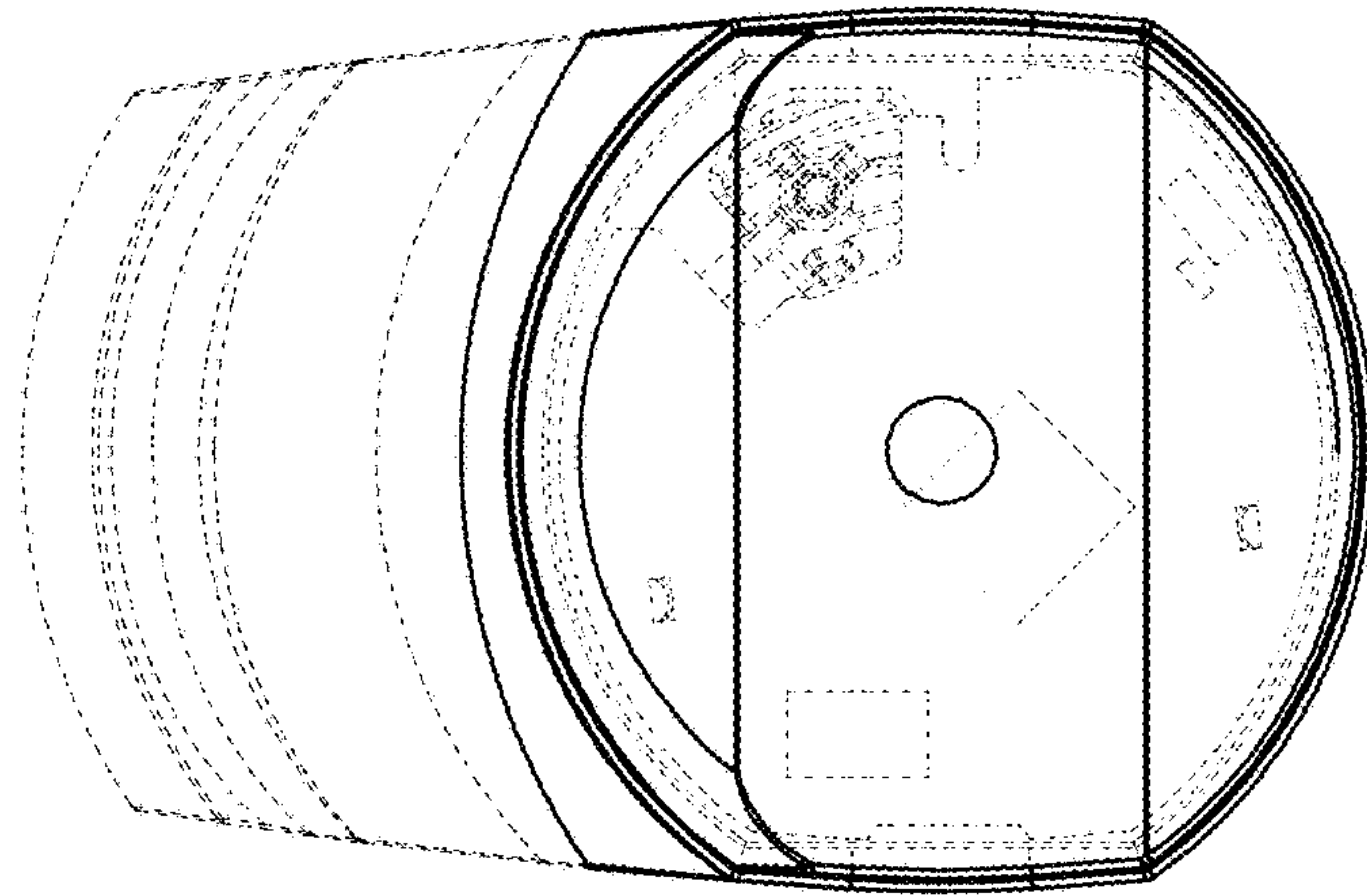


Fig.6

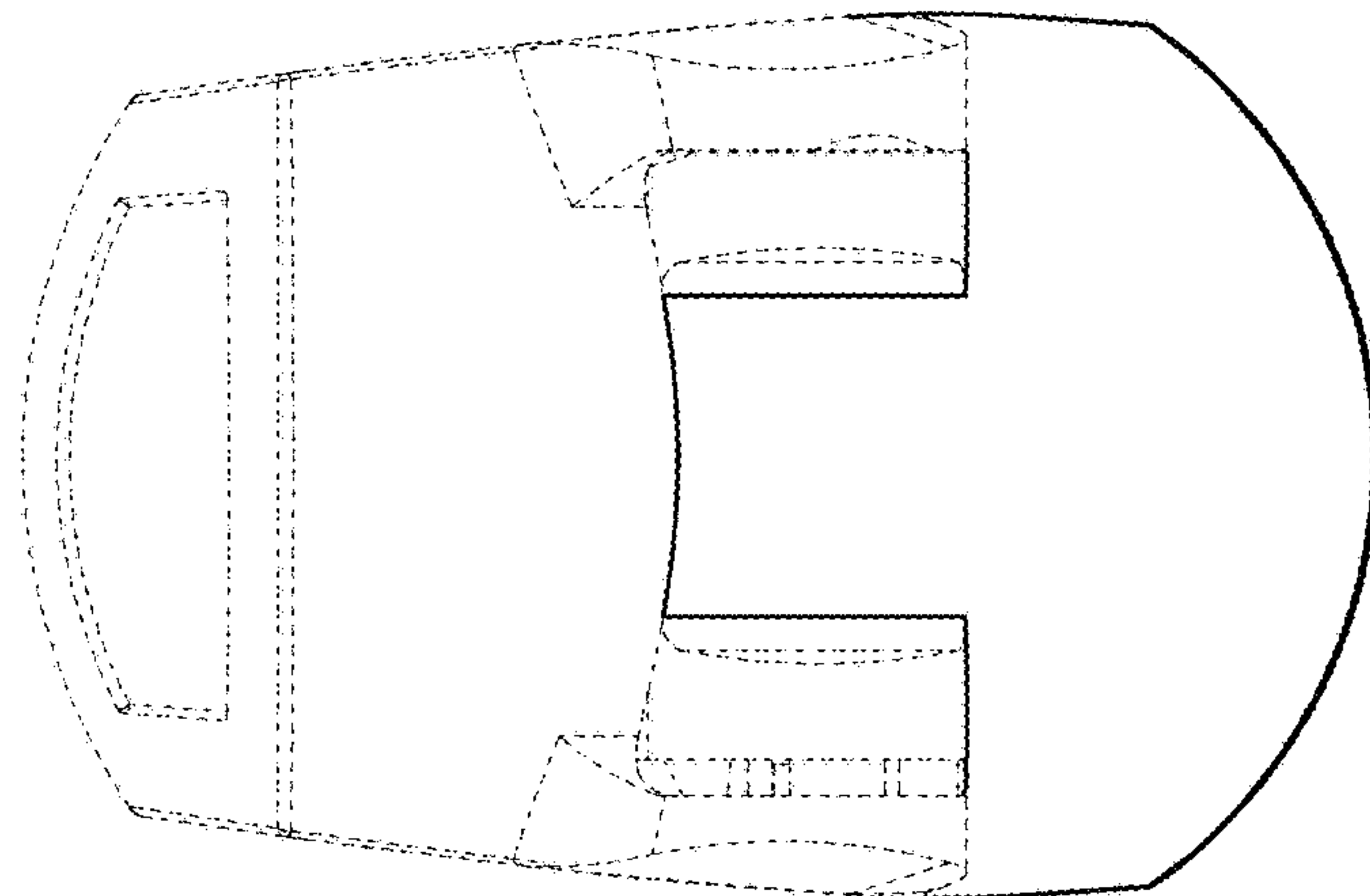


Fig.7

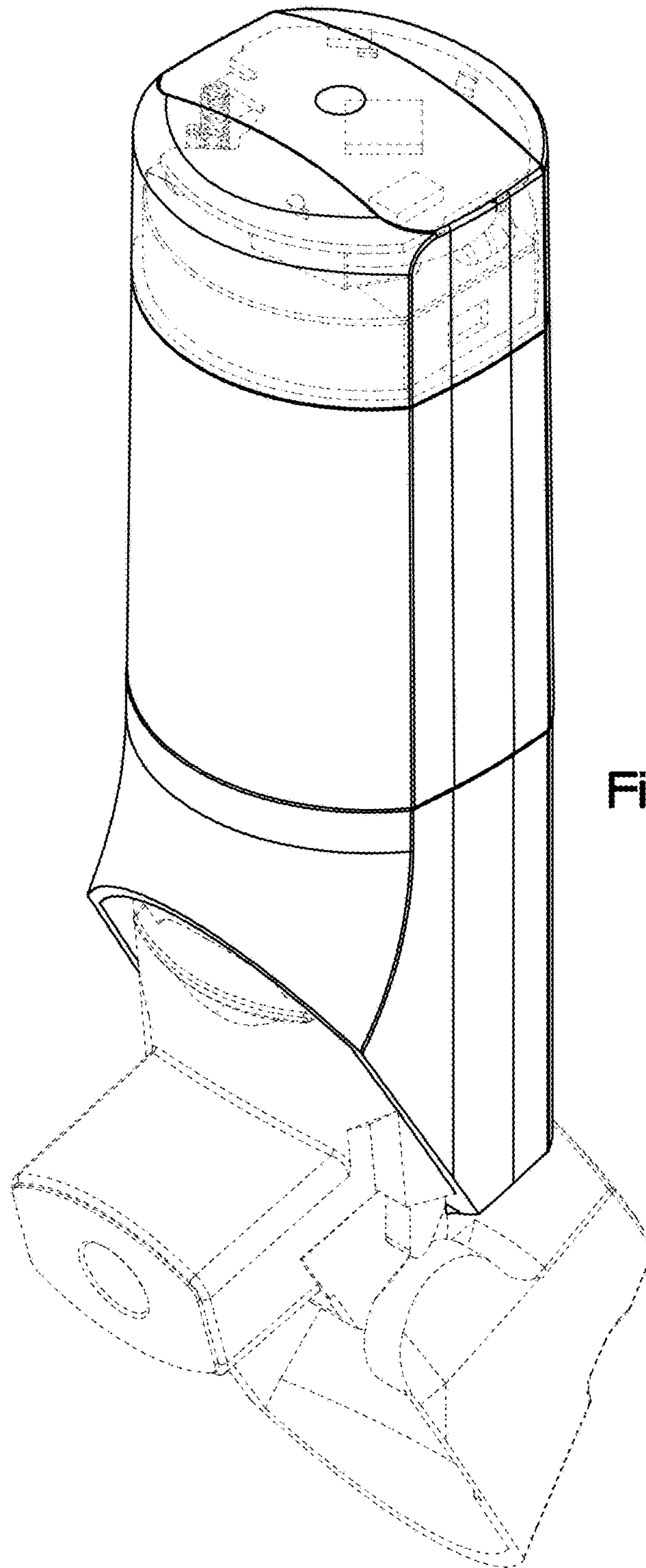


Fig.8