



US00D852946S

(12) **United States Design Patent** (10) **Patent No.:** **US D852,946 S**  
**Muther et al.** (45) **Date of Patent:** **\*\* Jul. 2, 2019**

(54) **BREAST PUMP**

(71) Applicant: **MEDELA HOLDING AG**, Baar (CH)

(72) Inventors: **Marcel Muther**, Ebikon (CH); **René Fischer**, Zurich (CH); **Deanna Gilbert**, Arlington Heights, IL (US); **Therese Naef**, Nussbaumen (CH); **Kathryn Mizuchi**, Round Lake Beach, IL (US); **Pooja Mehta**, Troy, MI (US); **Daniela Käppeli**, Baar (CH)

(73) Assignee: **MEDELA HOLDING AG**, Baar (CH)

(\*\*) Term: **15 Years**

(21) Appl. No.: **29/581,047**

(22) Filed: **Oct. 14, 2016**

(51) **LOC (11) Cl.** ..... **24-02**

(52) **U.S. Cl.**  
USPC ..... **D24/109**

(58) **Field of Classification Search**  
USPC ..... D24/108, 109, 127; D9/500, 549;  
604/74-76; D13/168; D14/203.2-203.7  
(Continued)

(56) **References Cited**

**U.S. PATENT DOCUMENTS**

D424,577 S \* 5/2000 Backs ..... D13/168  
D565,174 S \* 3/2008 Pukall ..... D24/109  
(Continued)

**FOREIGN PATENT DOCUMENTS**

CN 302837595 \* 6/2014  
CN 302890120 \* 7/2014  
TR 089103-0001 \* 1/2016

**OTHER PUBLICATIONS**

Philips Avent SCF334/02 Comfort Twin Electric Breast Pump,  
posted at amazon.com, earliest date reviewed on Jan. 16, 2013,

[online], acquired on Nov. 21, 2017. Available from Internet, <URL:  
https://www.amazon.co.uk/Philips-SCF334-02-Comfort-Electric/dp/  
B00AK84IMI/ref=cm\_cr\_ar\_p\_d\_product\_top?ie=UTF8>.\*

(Continued)

*Primary Examiner* — Lilyana Bekic

*Assistant Examiner* — Aula Soroush

(74) *Attorney, Agent, or Firm* — Marshall, Gerstein &  
Borun LLP

(57) **CLAIM**

The ornamental design for a breast pump, as shown and  
described.

**DESCRIPTION**

FIG. 1 is a front, bottom, and left perspective view of a first  
embodiment of a breast pump of the present invention;  
FIG. 2 is a front, top, and right perspective view of the  
invention illustrated in FIG. 1;  
FIG. 3 is a front view of the invention illustrated in FIG. 1;  
FIG. 4 is a left side view of the invention illustrated in FIG.  
1, a right side view being the mirror image thereof;  
FIG. 5 is a rear view of the invention illustrated in FIG. 1;  
FIG. 6 is a top view of the invention illustrated in FIG. 1;  
FIG. 7 is a bottom view of the invention illustrated in FIG.  
1;  
FIG. 8 is a front, top, and left perspective view of a second  
embodiment of a breast pump of the present invention;  
FIG. 9 is a top view of the invention illustrated in FIG. 8;  
FIG. 10 is a front view of the invention illustrated in FIG. 8;  
FIG. 11 is a left side view of the invention illustrated in FIG.  
8, a right side view being the mirror image thereof;  
FIG. 12 is a bottom view of the invention illustrated in FIG.  
8;  
FIG. 13 is a rear view of the invention illustrated in FIG. 8;  
FIG. 14 is a front, top, and left perspective view of a third  
embodiment of a breast pump of the present invention;  
FIG. 15 is a top view of the invention illustrated in FIG. 14;  
FIG. 16 is a front view of the invention illustrated in FIG. 14;  
FIG. 17 is a left side view of the invention illustrated in FIG.  
14, a right side view being the mirror image thereof;

(Continued)

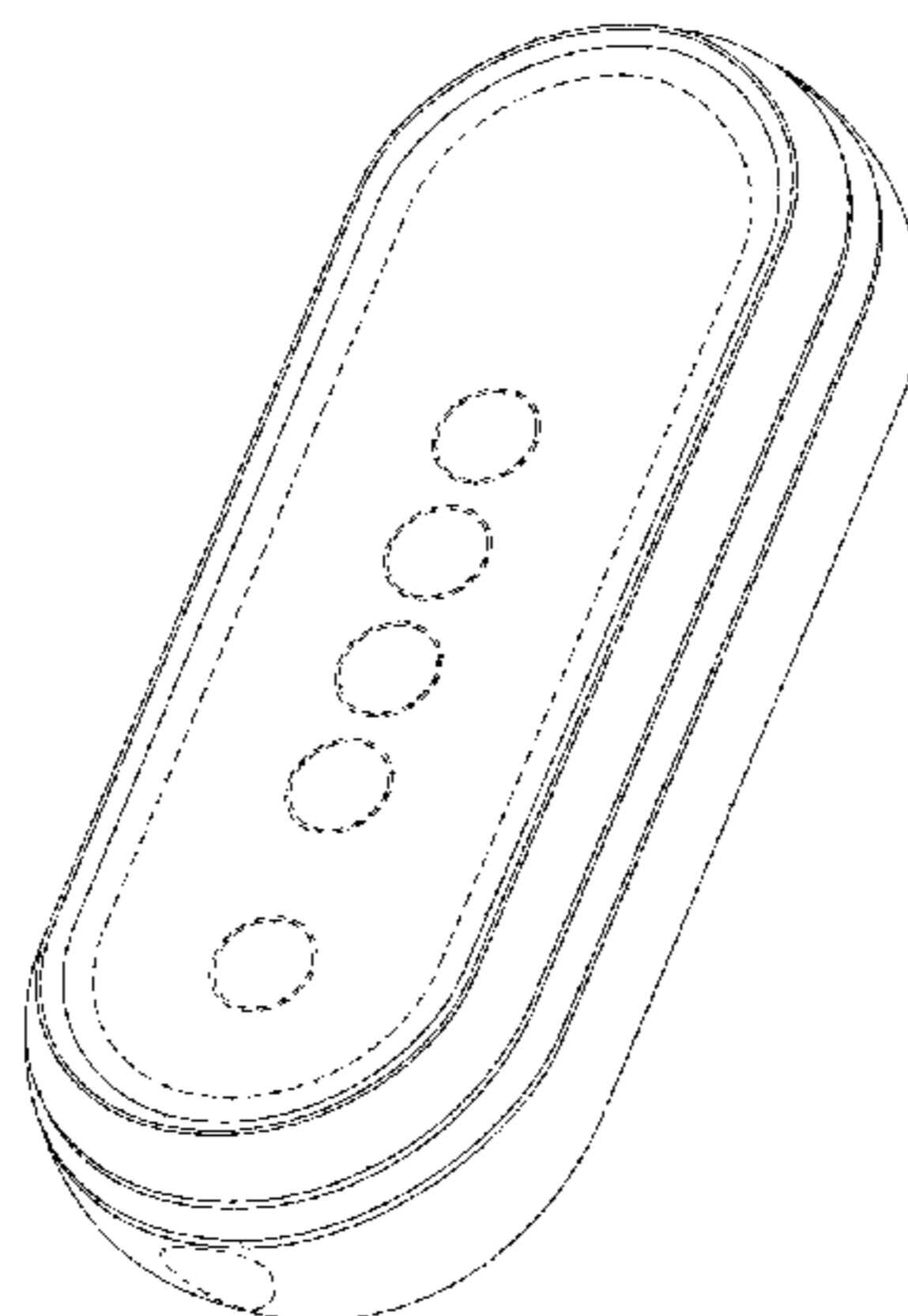


FIG. 18 is a bottom view of the invention illustrated in FIG. 14;  
 FIG. 19 is a rear view of the invention illustrated in FIG. 14;  
 FIG. 20 is a front, top, and left perspective view of a fourth embodiment of a breast pump of the present invention;  
 FIG. 21 is a top view of the invention illustrated in FIG. 20;  
 FIG. 22 is a front view of the invention illustrated in FIG. 20;  
 FIG. 23 is a left side view of the invention illustrated in FIG. 20, a right side view being the mirror image thereof;  
 FIG. 24 is a bottom view of the invention illustrated in FIG. 20;  
 FIG. 25 is a rear view of the invention illustrated in FIG. 20;  
 FIG. 26 is a front, top, and left perspective view of a fifth embodiment of a breast pump of the present invention;  
 FIG. 27 is a front, top, and left perspective view of the invention of FIG. 26, with a disclaimed portion thereof rotated to a second position;  
 FIG. 28 is a front view of the invention illustrated in FIG. 26;  
 FIG. 29 is a left side view of the invention illustrated in FIG. 26, a right side view being the mirror image thereof;  
 FIG. 30 is a top view of the invention illustrated in FIG. 26;  
 FIG. 31 is a rear view of the invention illustrated in FIG. 26;  
 and,  
 FIG. 32 is a bottom view of the invention illustrated in FIG. 26.  
 The broken lines in the drawings illustrate portions of the breast pump that form no part of the claimed design.

**1 Claim, 18 Drawing Sheets**

(58) **Field of Classification Search**  
 CPC ..... A61M 1/062; A61M 1/06; A61M 1/066;  
 A61M 1/064; A61J 9/00; A61J 9/001  
 See application file for complete search history.

(56)

**References Cited**

U.S. PATENT DOCUMENTS

D573,249	S	7/2008	Solberg	
D576,268	S	9/2008	Solberg	
D576,269	S	9/2008	Solberg	
D597,038	S *	7/2009	Glassman	D13/168
D681,802	S *	5/2013	Marks	D24/109
D695,885	S *	12/2013	Thomas	D24/109
D708,643	S	7/2014	Akana et al.	
D719,928	S *	12/2014	Birger	D14/203.3
D744,086	S	11/2015	Yamashita	
D759,121	S	6/2016	Akana et al.	
D759,804	S	6/2016	Singh et al.	
D776,270	S *	1/2017	Wilcox	D24/127
D794,770	S *	8/2017	Wu	D24/108

OTHER PUBLICATIONS

Philips Avent Comfort Single Electric Breast Pump—UK 3pin Plug, posted at amazon.com, earliest date reviewed on Mar. 3, 2013, [online], acquired on Nov. 21, 2017. Available from Internet, <URL: [https://www.amazon.co.uk/Philips-Comfort-Single-Electric-Breast/dp/B00AK841KK/ref=cm\\_cr\\_arp\\_d\\_product\\_top?ie=UTF8](https://www.amazon.co.uk/Philips-Comfort-Single-Electric-Breast/dp/B00AK841KK/ref=cm_cr_arp_d_product_top?ie=UTF8)>.\*  
 Phillips Avent SCF334/02 Comfort Twin Electric Breast Pump, posted at amazon.com, earliest date reviewed on Jan. 16, 2013, [online], available from Internet, URL: <[https://www.amazon.co.uk/Philips-SCF334-02-Comfort-Electric/dp/B0AK84IMI/ref=cm\\_cr\\_arp\\_d\\_product\\_top?ie=UTF8](https://www.amazon.co.uk/Philips-SCF334-02-Comfort-Electric/dp/B0AK84IMI/ref=cm_cr_arp_d_product_top?ie=UTF8)>.\*  
 Philips Avent Comfort Single Electric Breast Pump—UK Spin Plug, posted at amazon.com, earliest date reviewed on Mar. 3, 2016, [online], Available from Internet, URL: <[https://www.amazon.co.uk/Philips-SCF334-02-Comfort-Single-Electric-Breast/dp/B0AK841KK/ref=cm\\_cr\\_arp\\_d\\_product\\_top?ie=UTF8](https://www.amazon.co.uk/Philips-SCF334-02-Comfort-Single-Electric-Breast/dp/B0AK841KK/ref=cm_cr_arp_d_product_top?ie=UTF8)>.\*  
 Design U.S. Appl. No. 29/581,035, filed Oct. 14, 2016.  
 Design U.S. Appl. No. 29/581,039, filed Oct. 14, 2016.

\* cited by examiner

Fig. 1

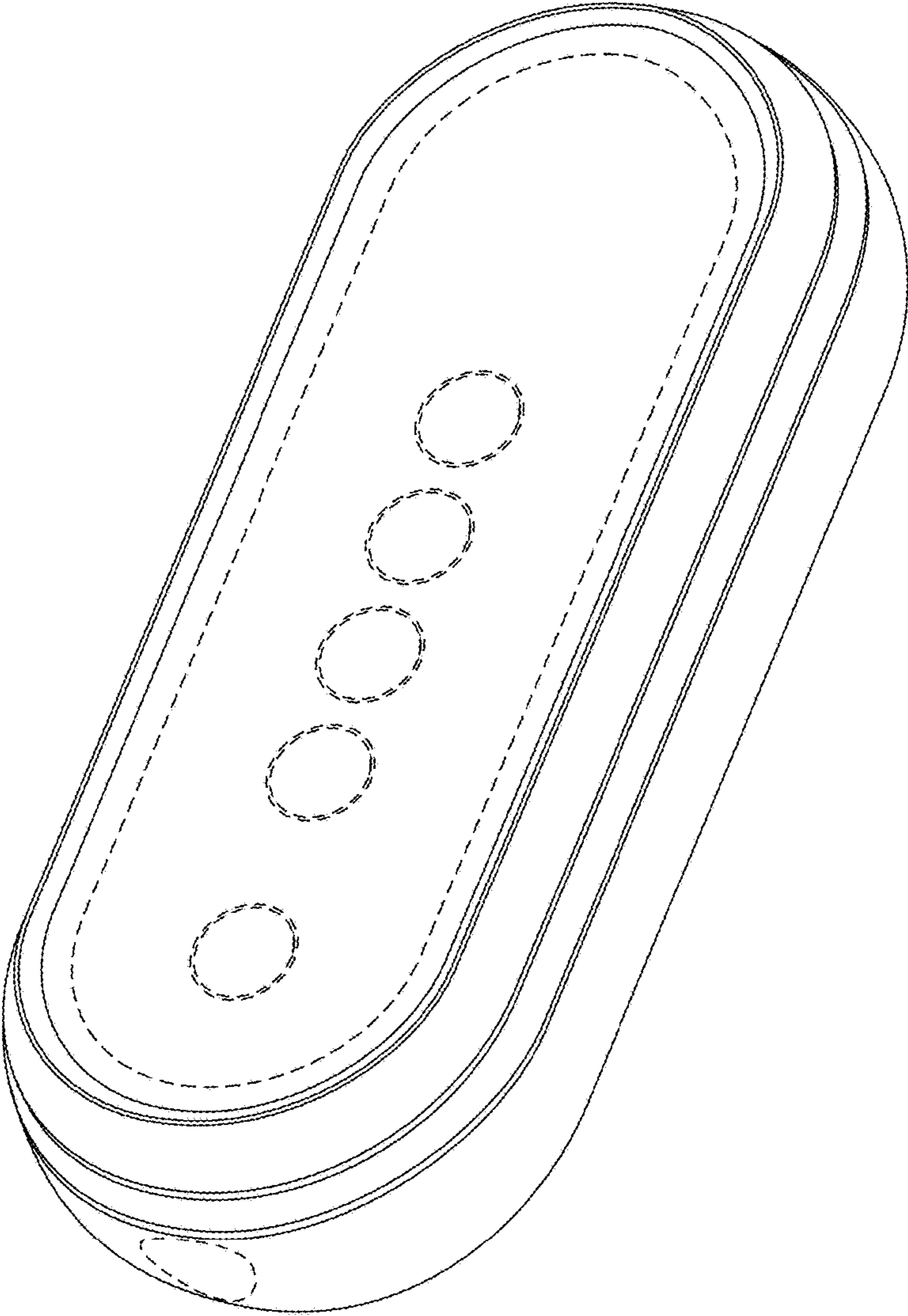


Fig. 2

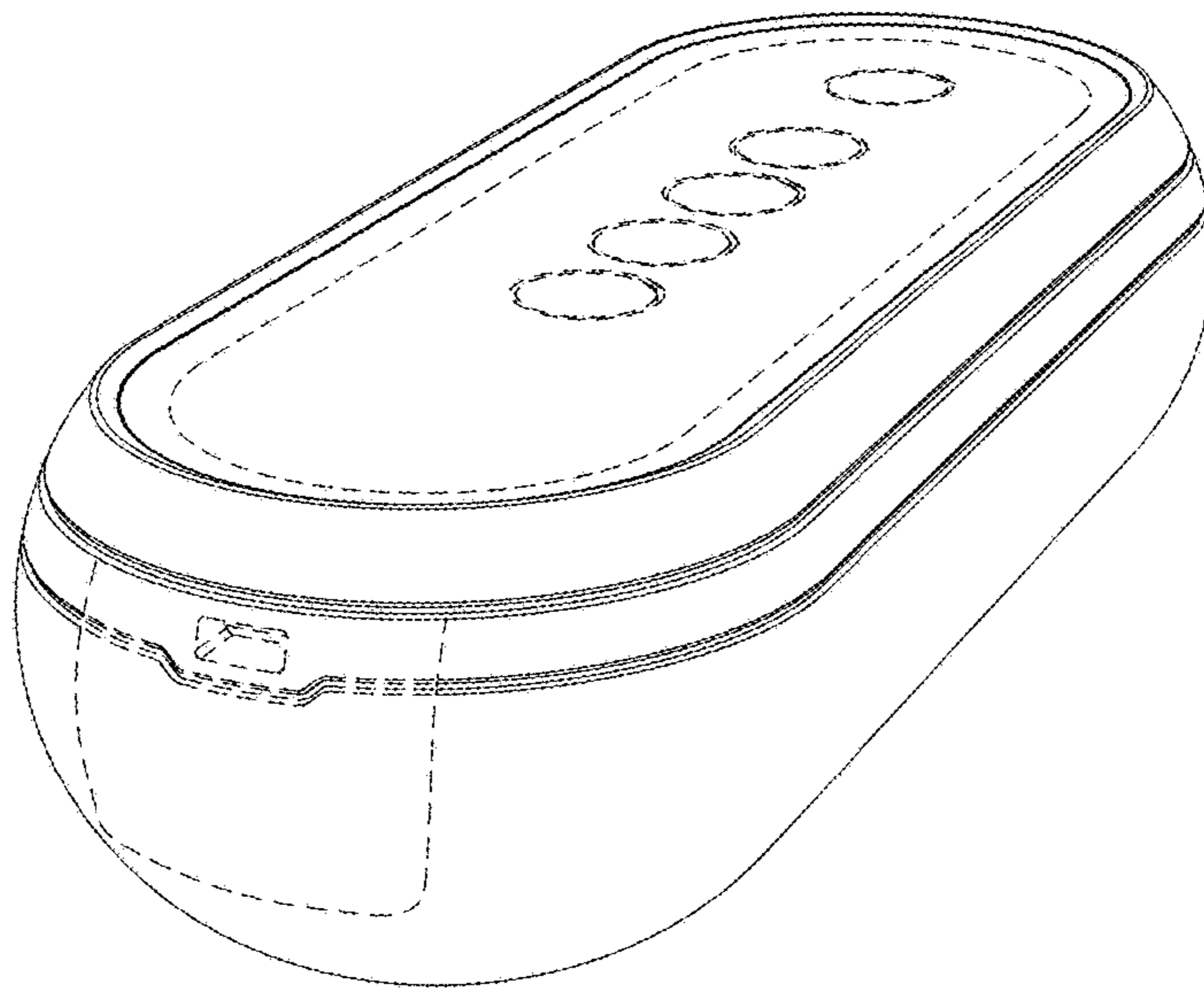


Fig. 3

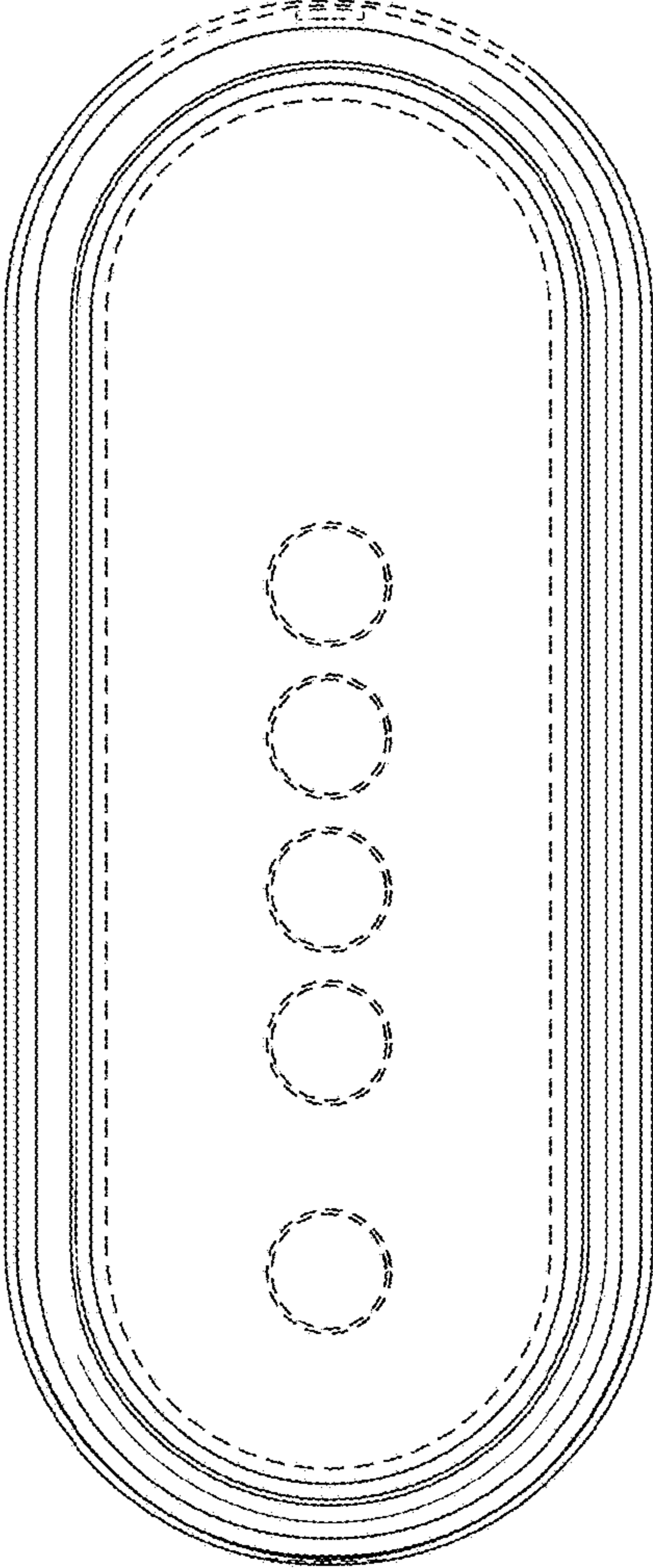


Fig. 4

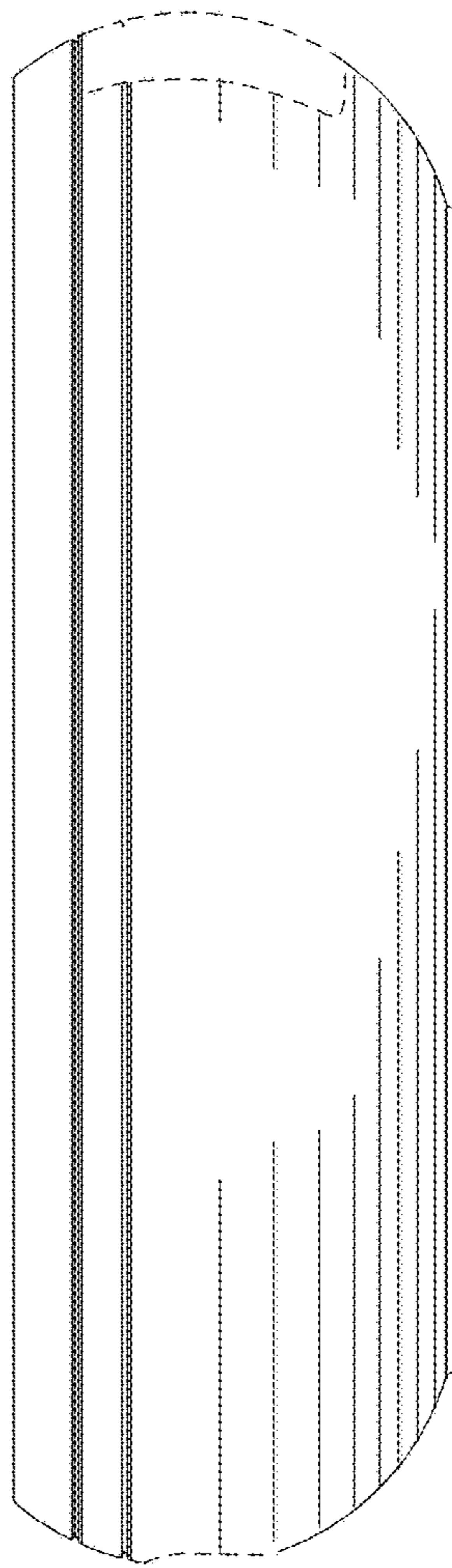


Fig. 5

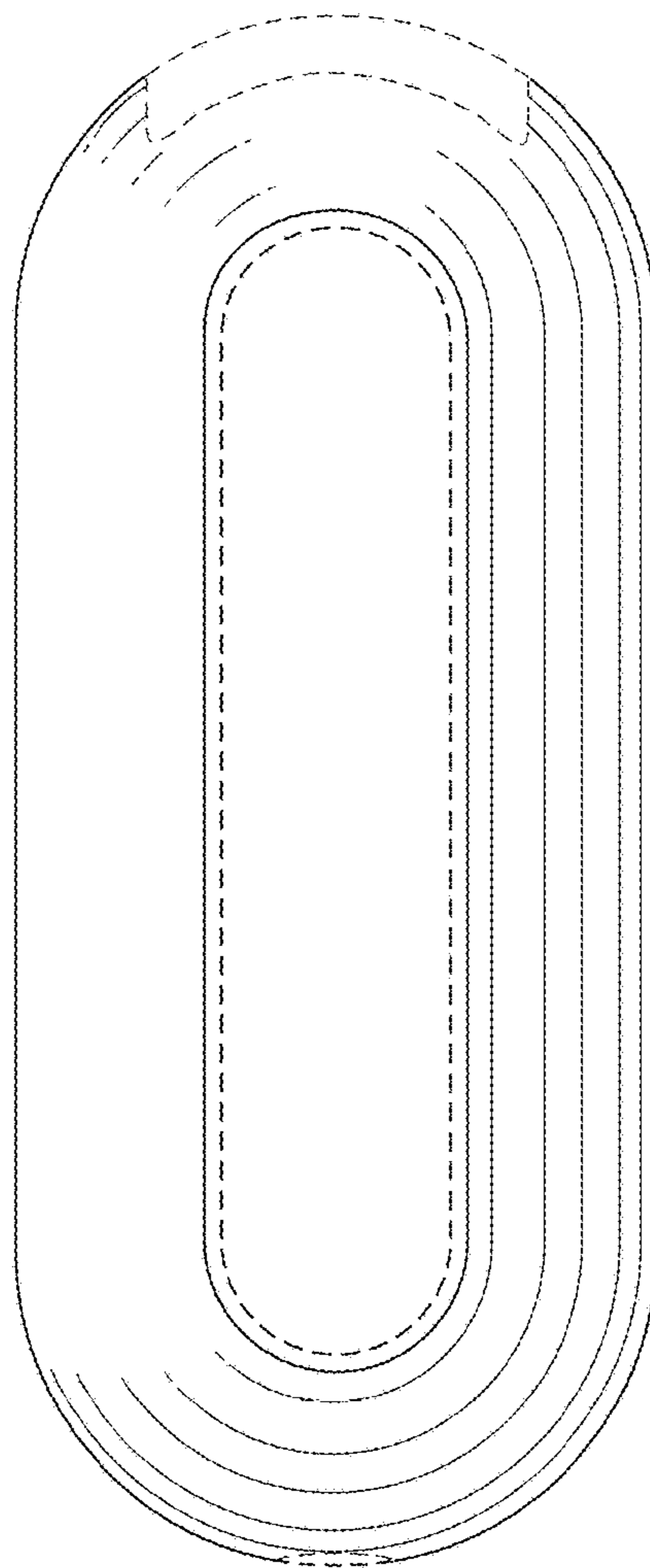


Fig. 6

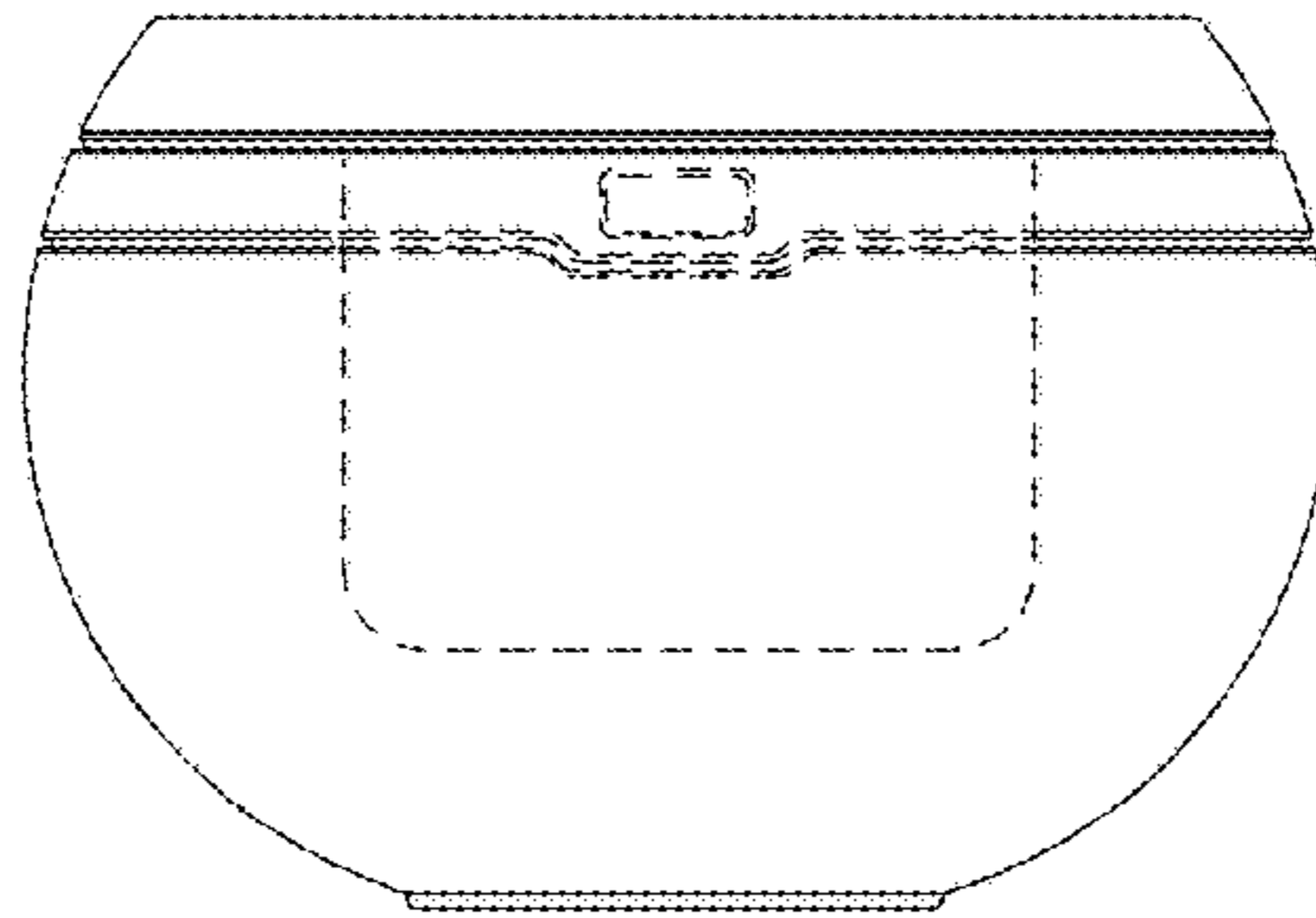


Fig. 7

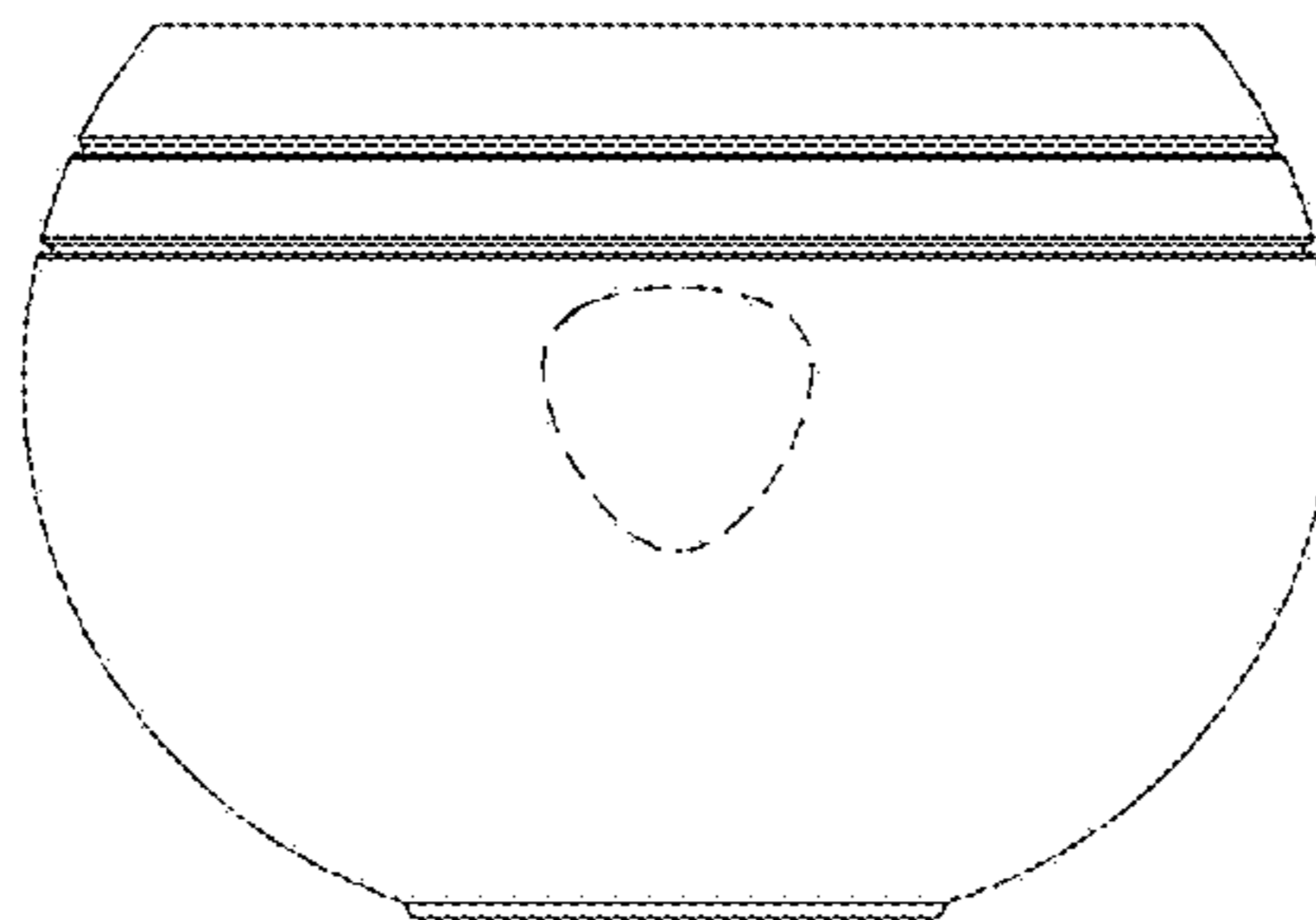




Fig. 8

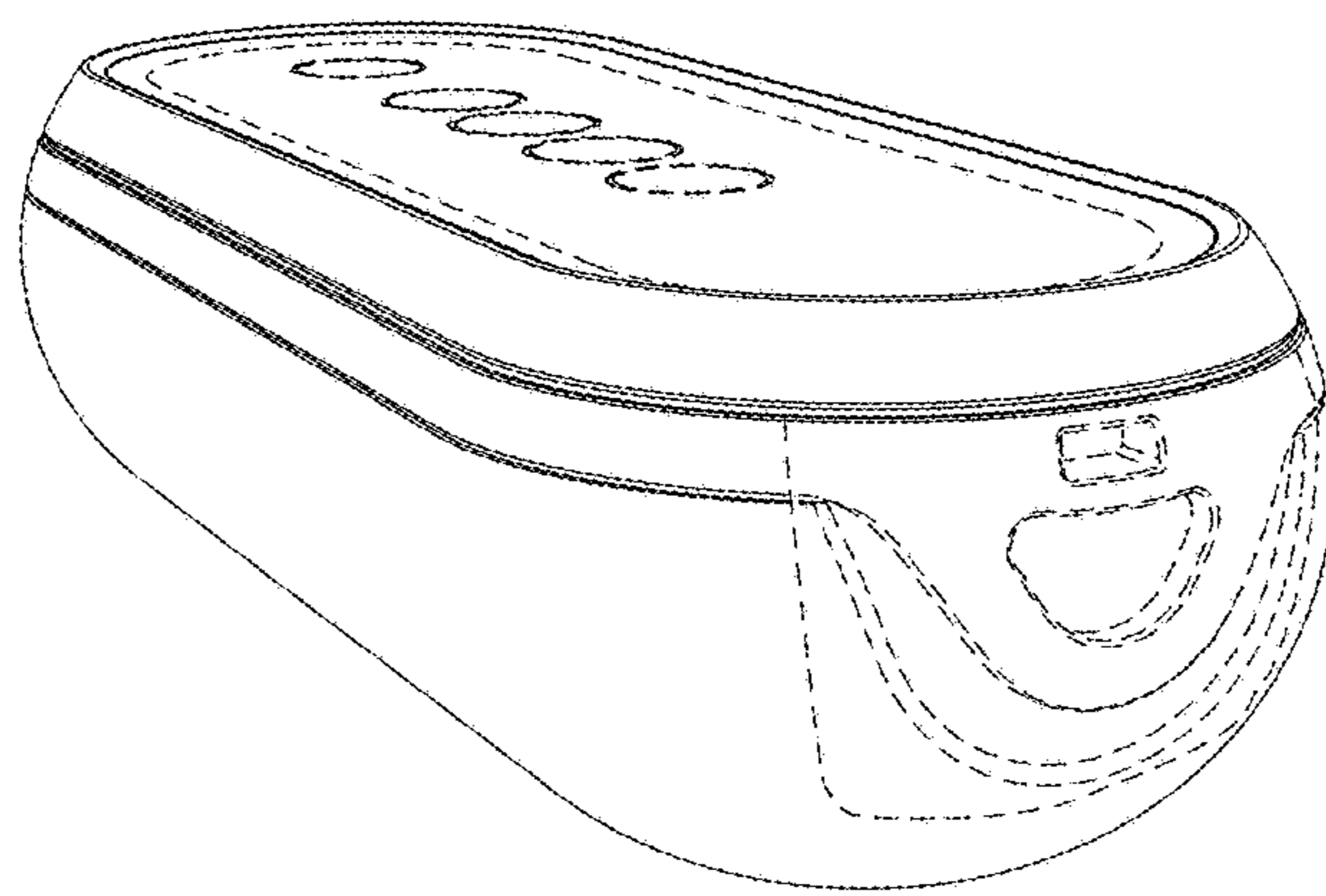


Fig. 9

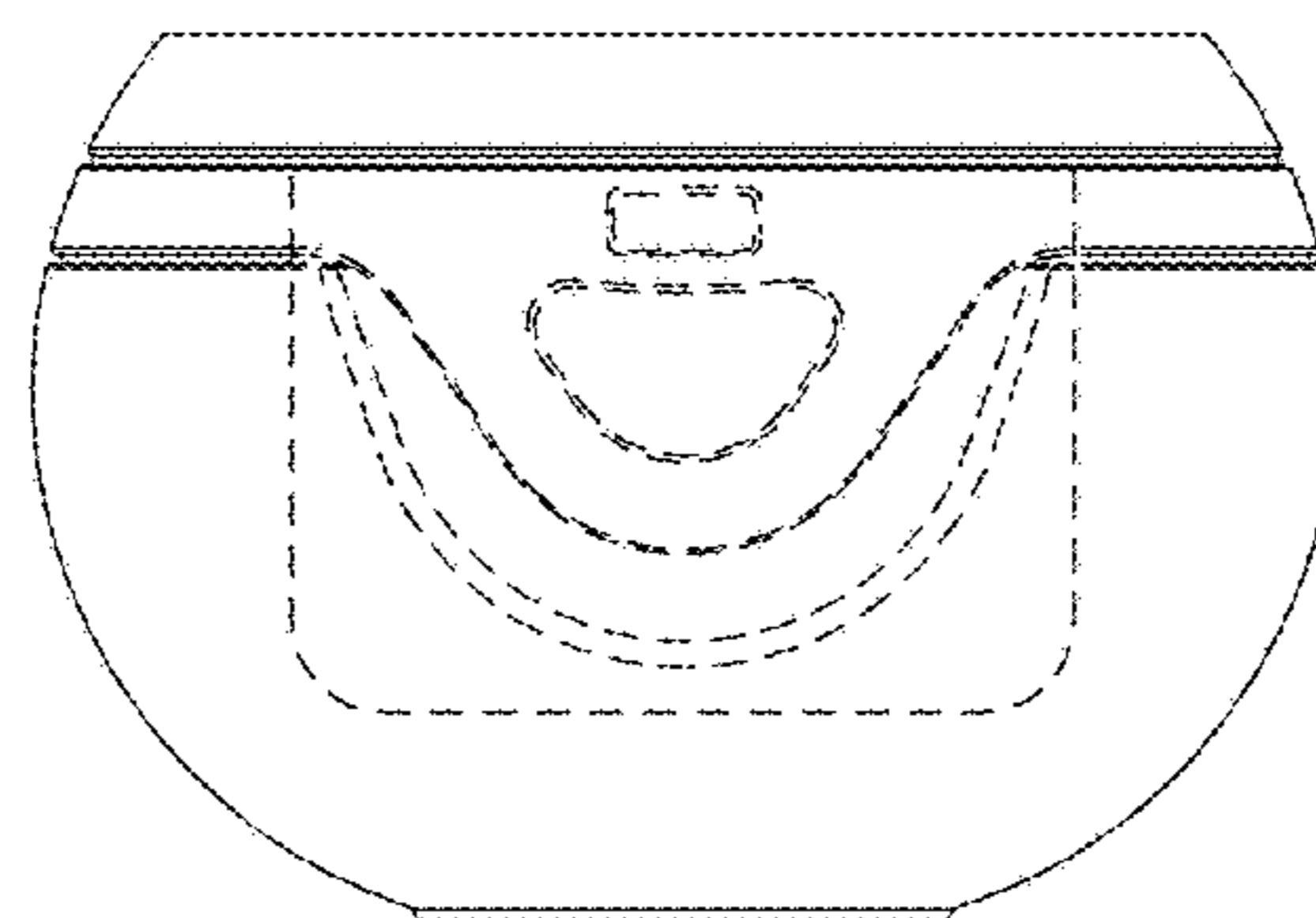


Fig. 10

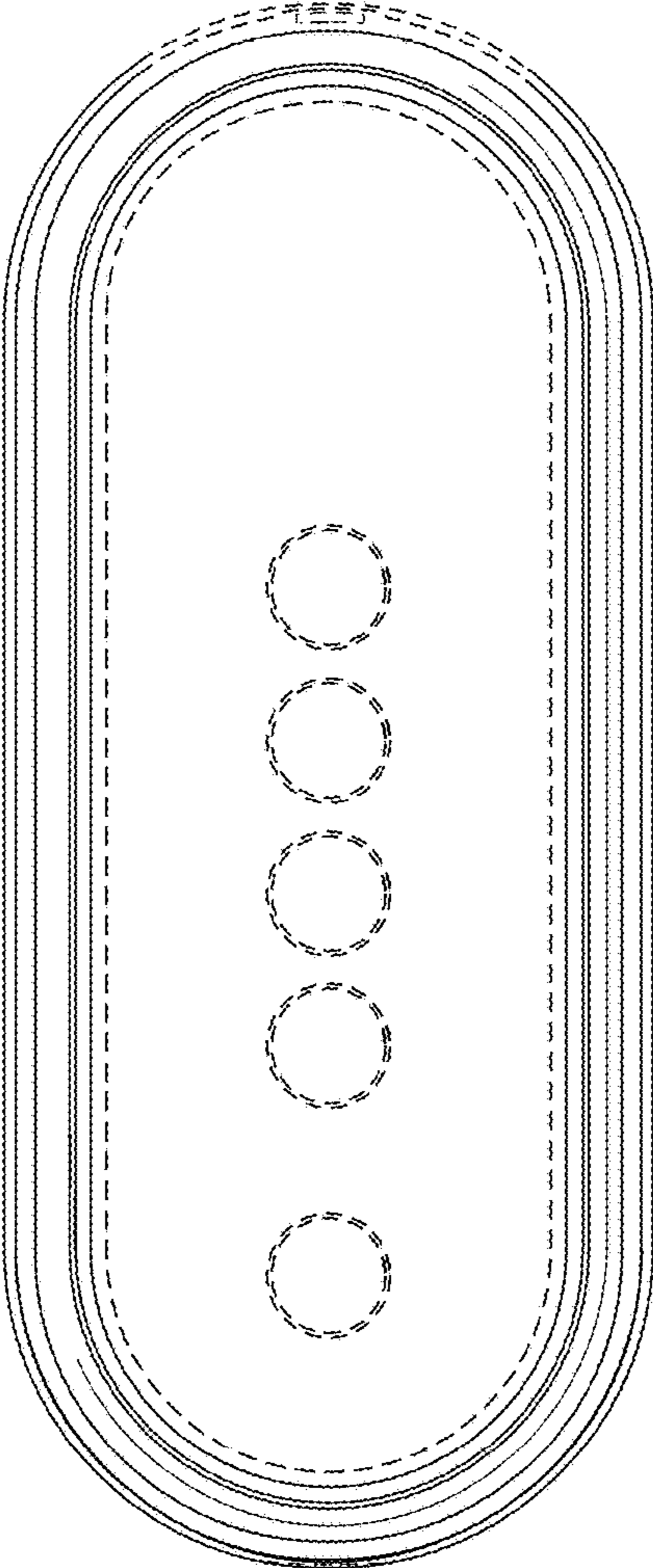


Fig. 11

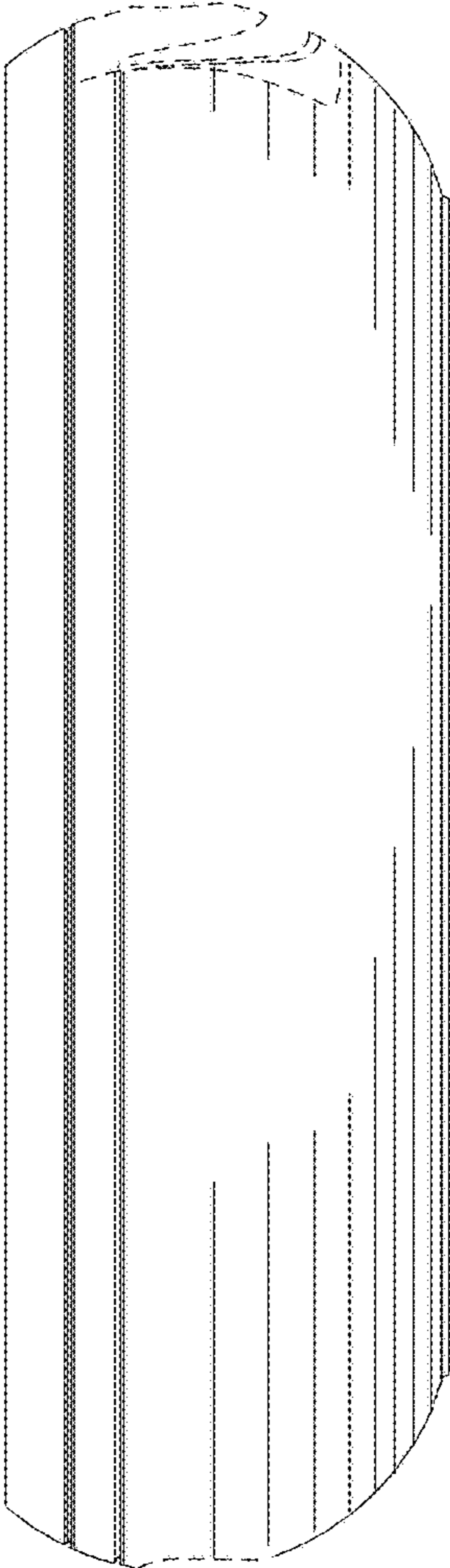


Fig. 12

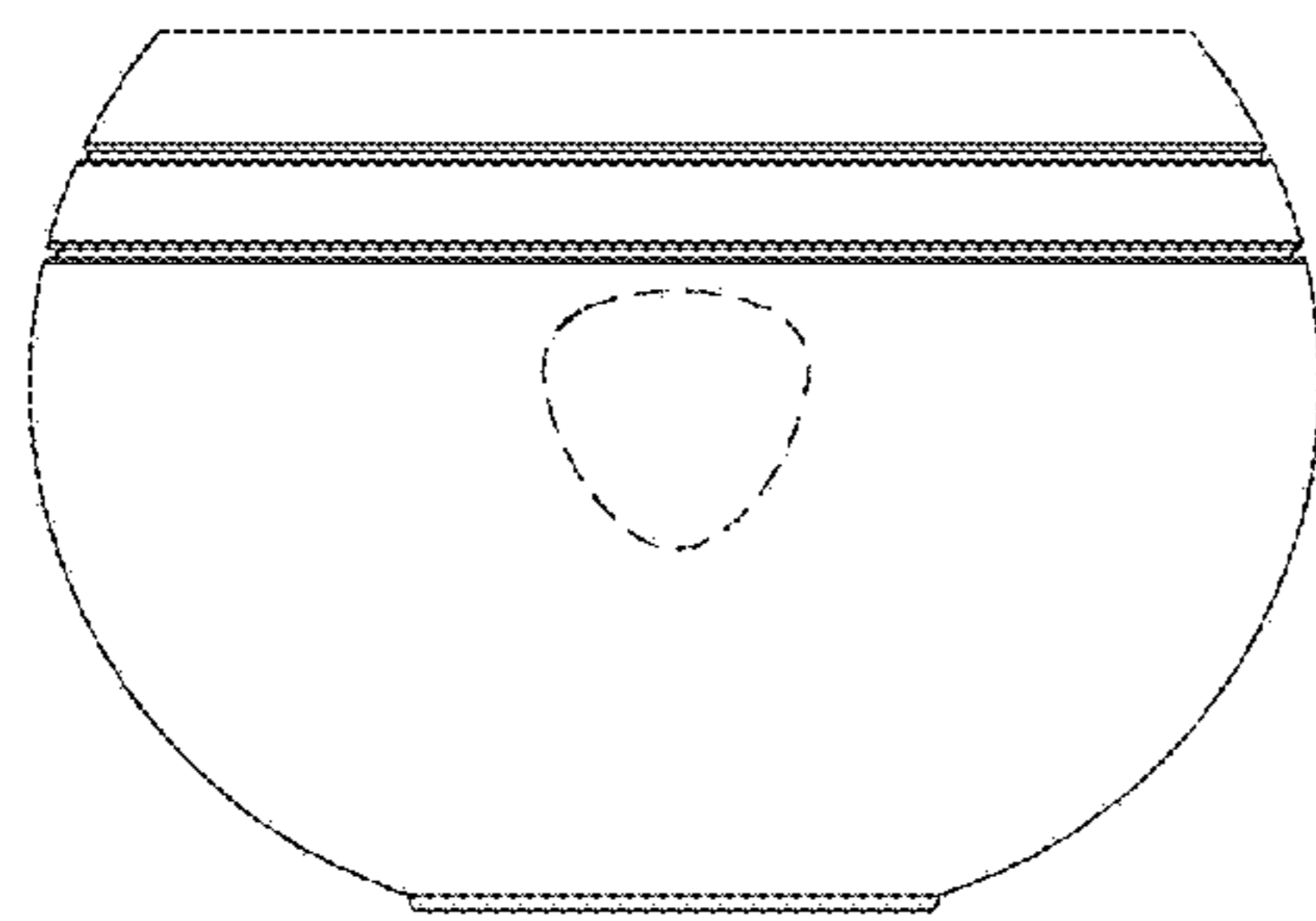


Fig. 13

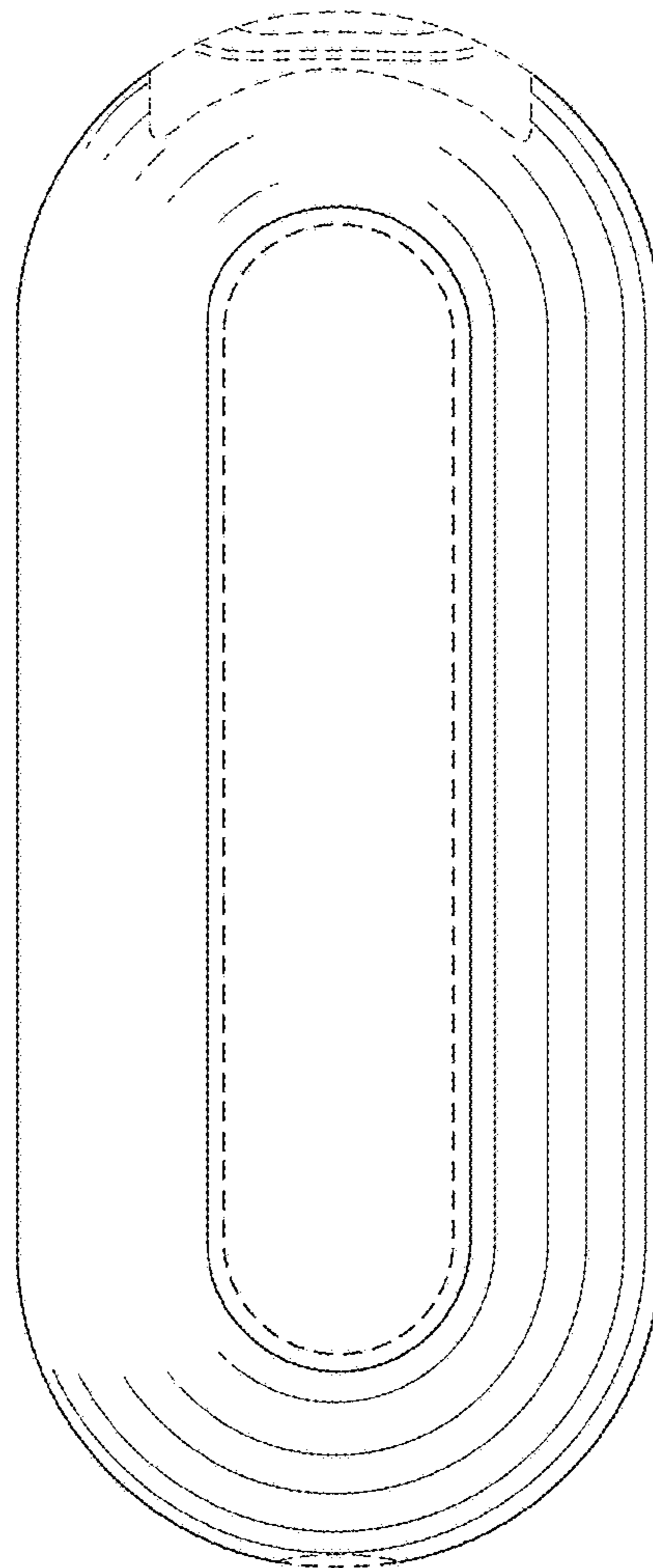


Fig. 14

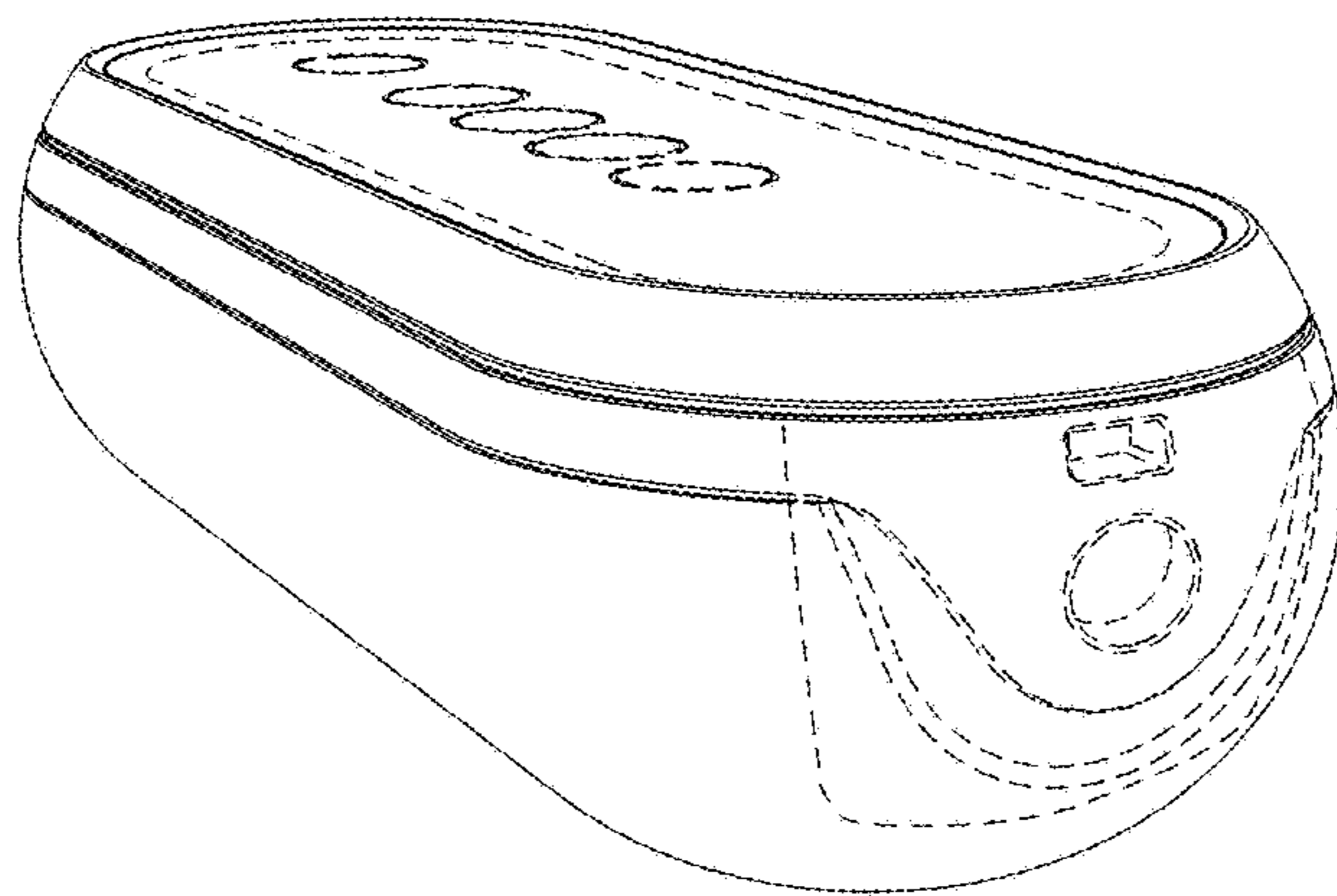


Fig. 15

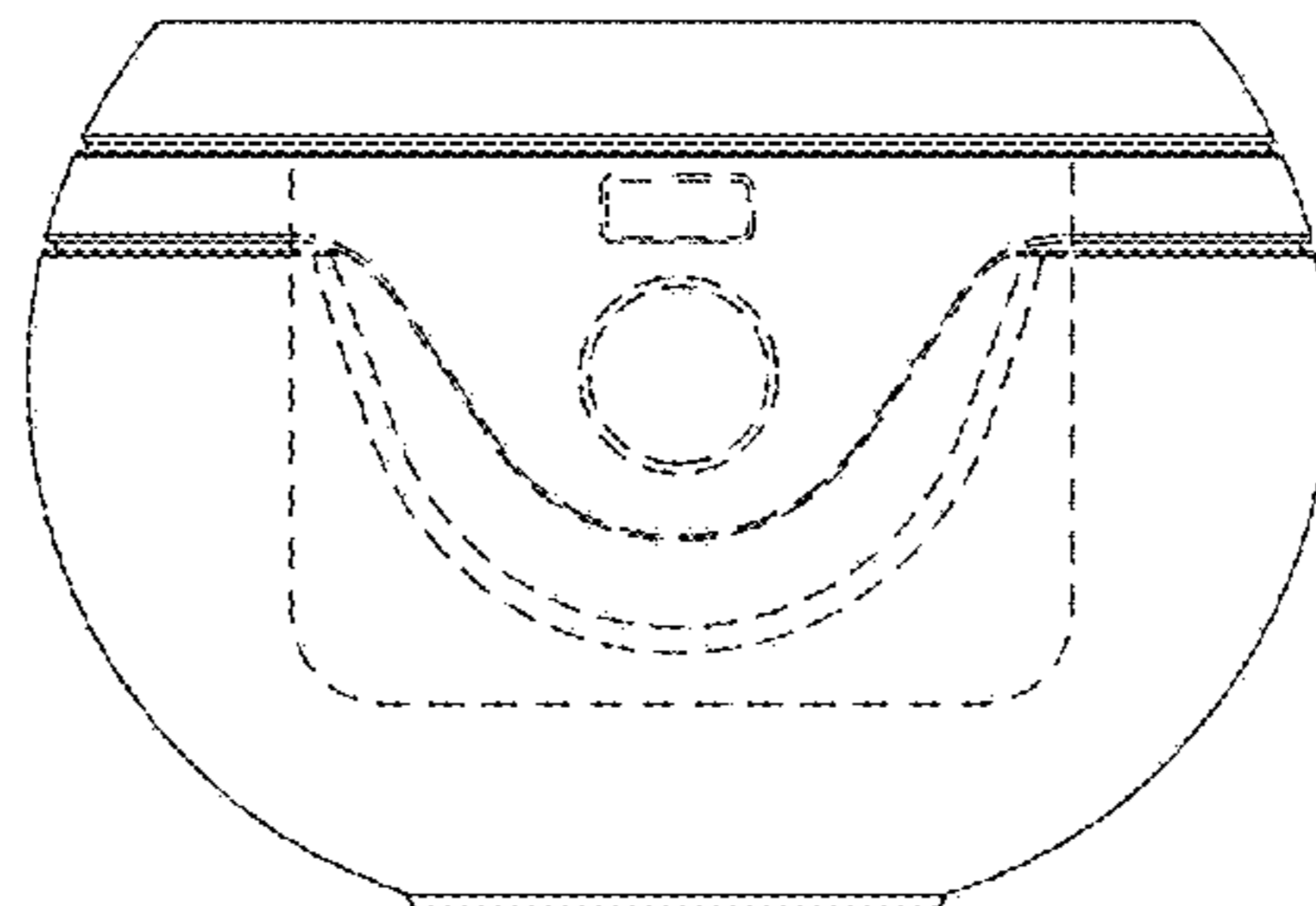


Fig. 16

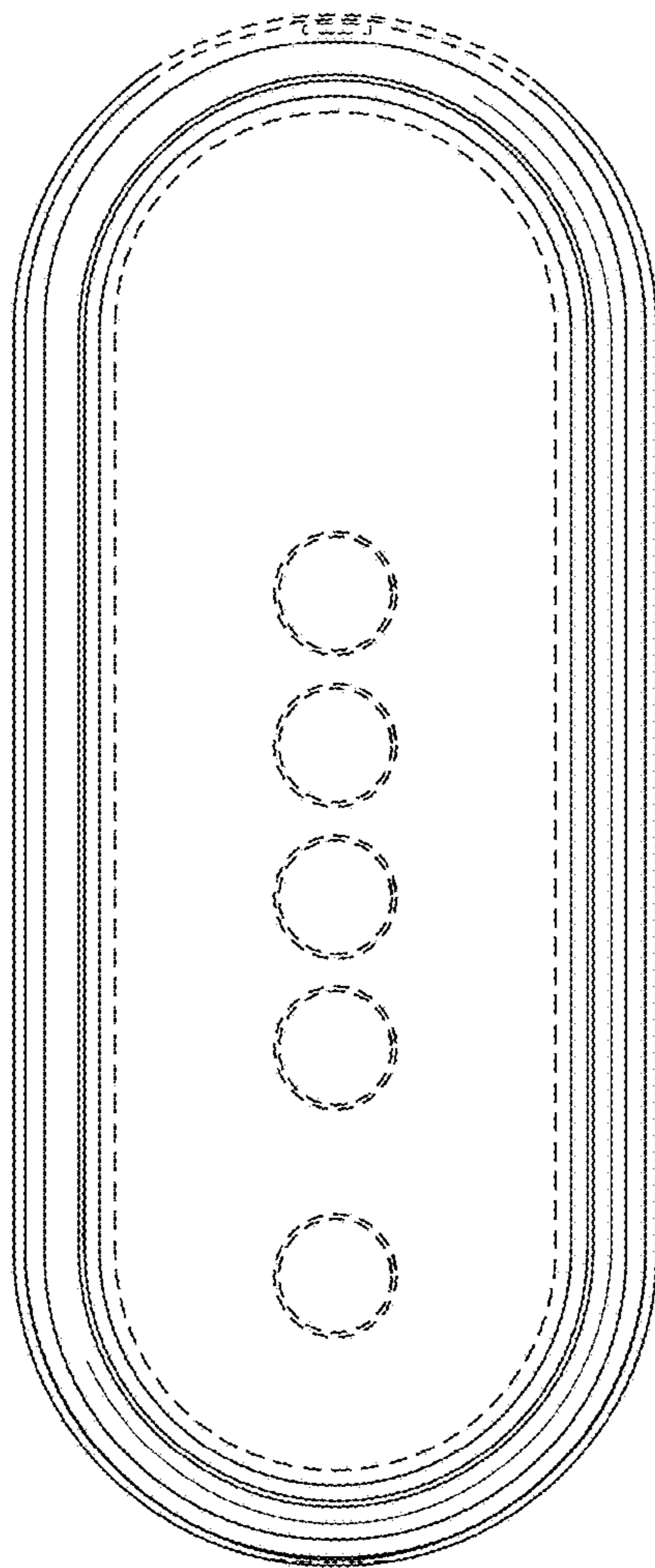


Fig. 17

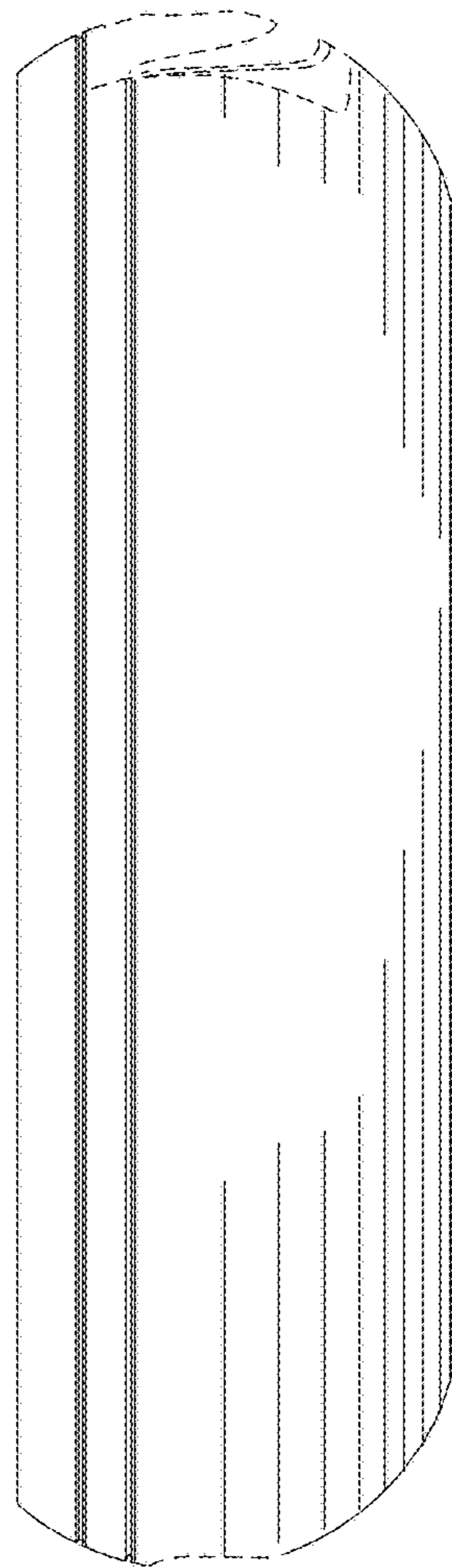


Fig. 18

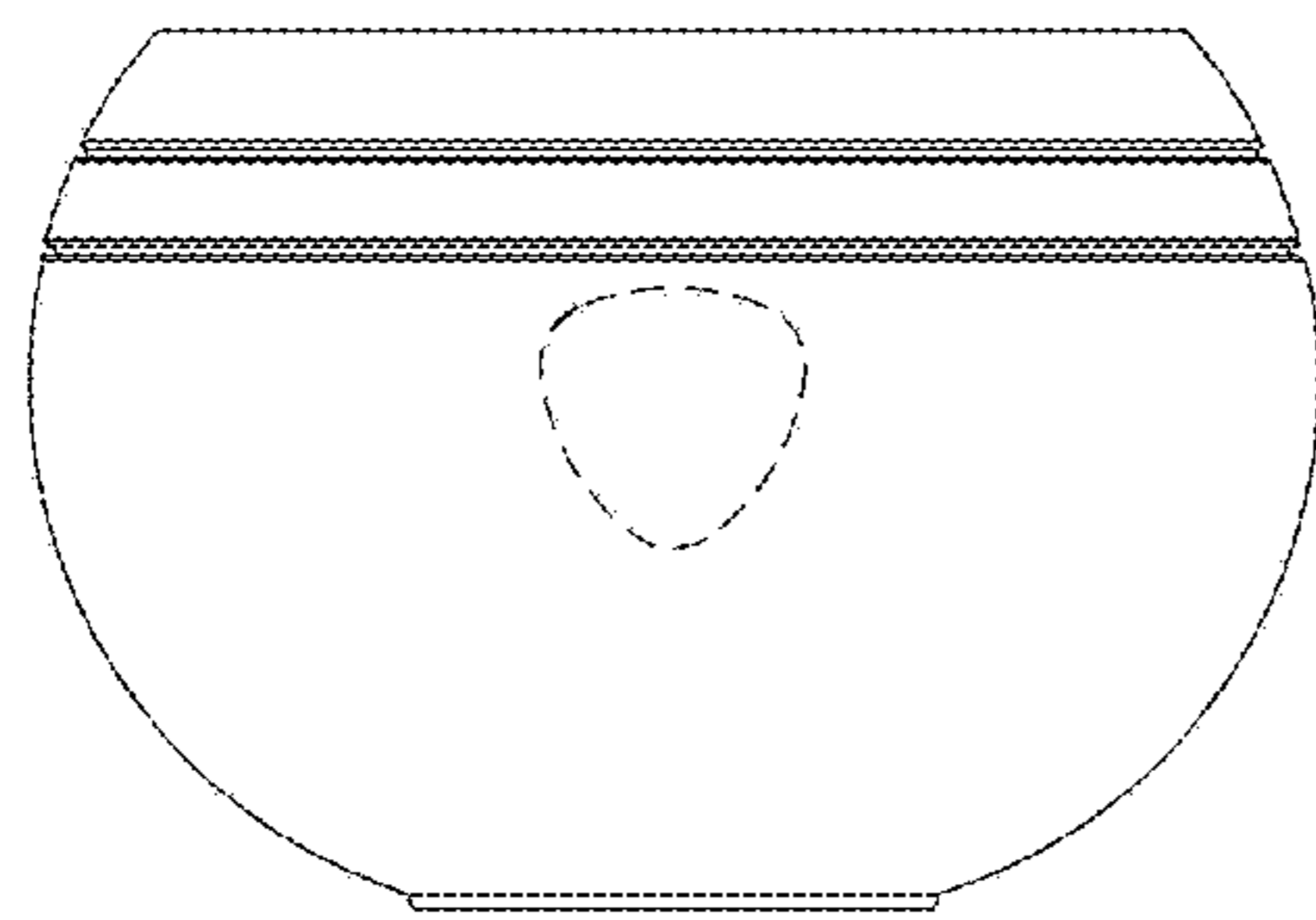


Fig. 19

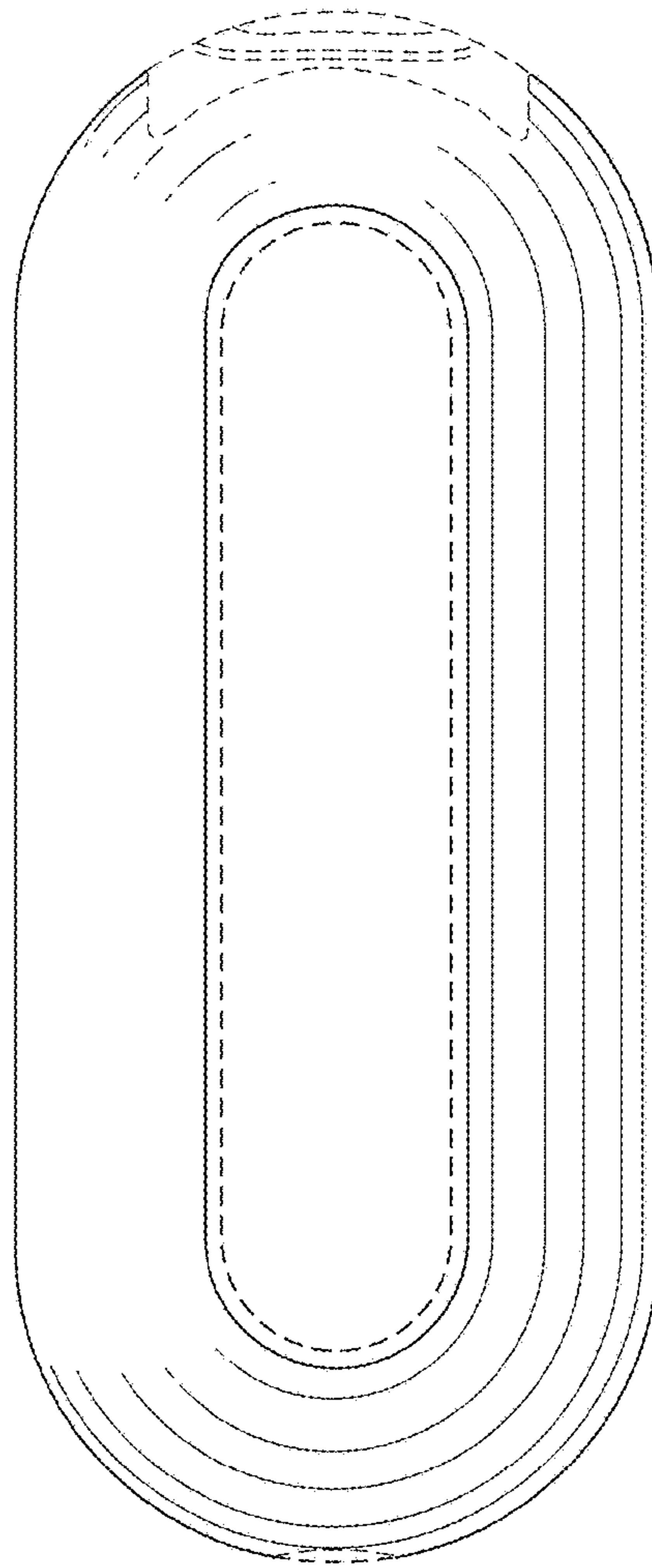


Fig. 20

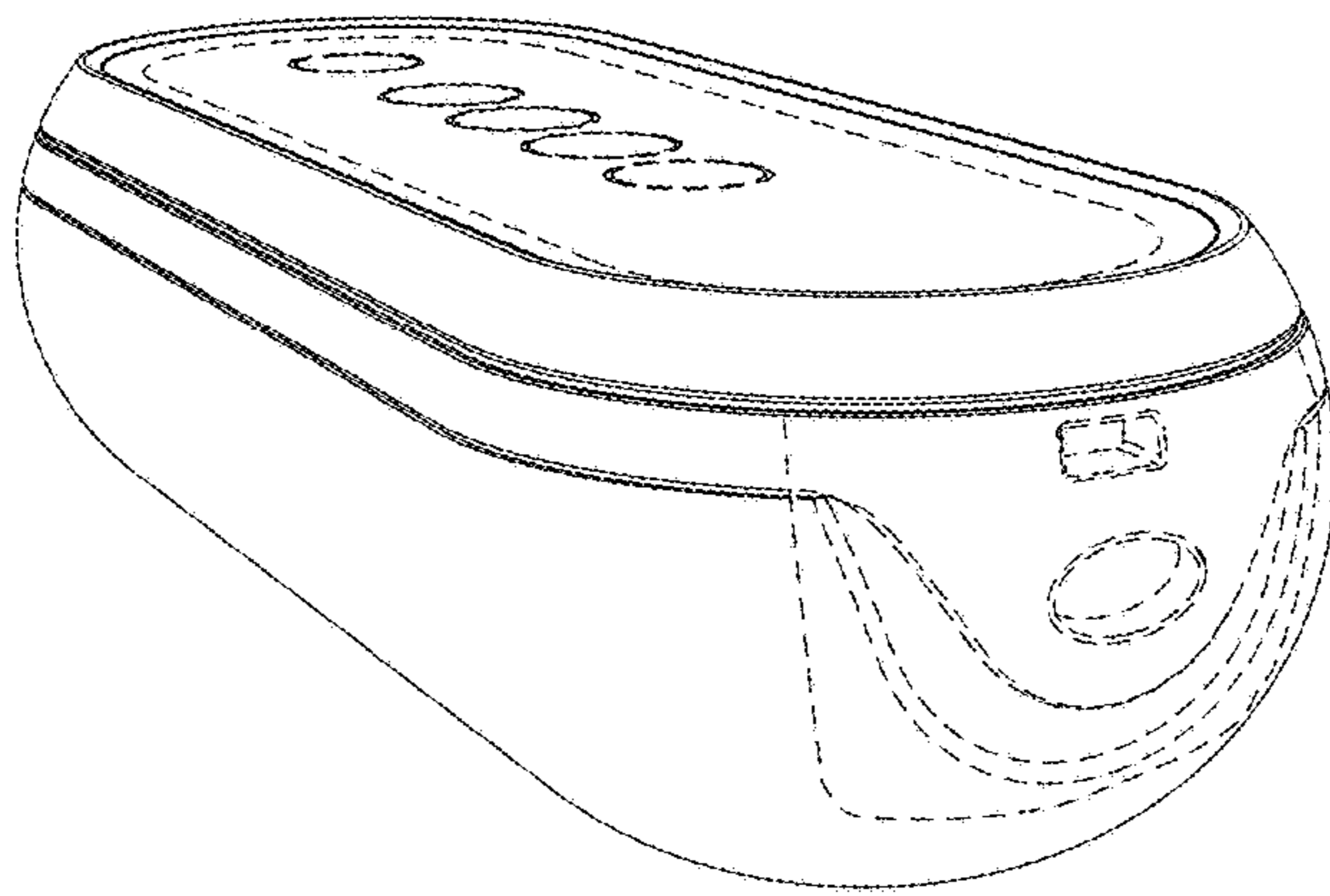


Fig. 21

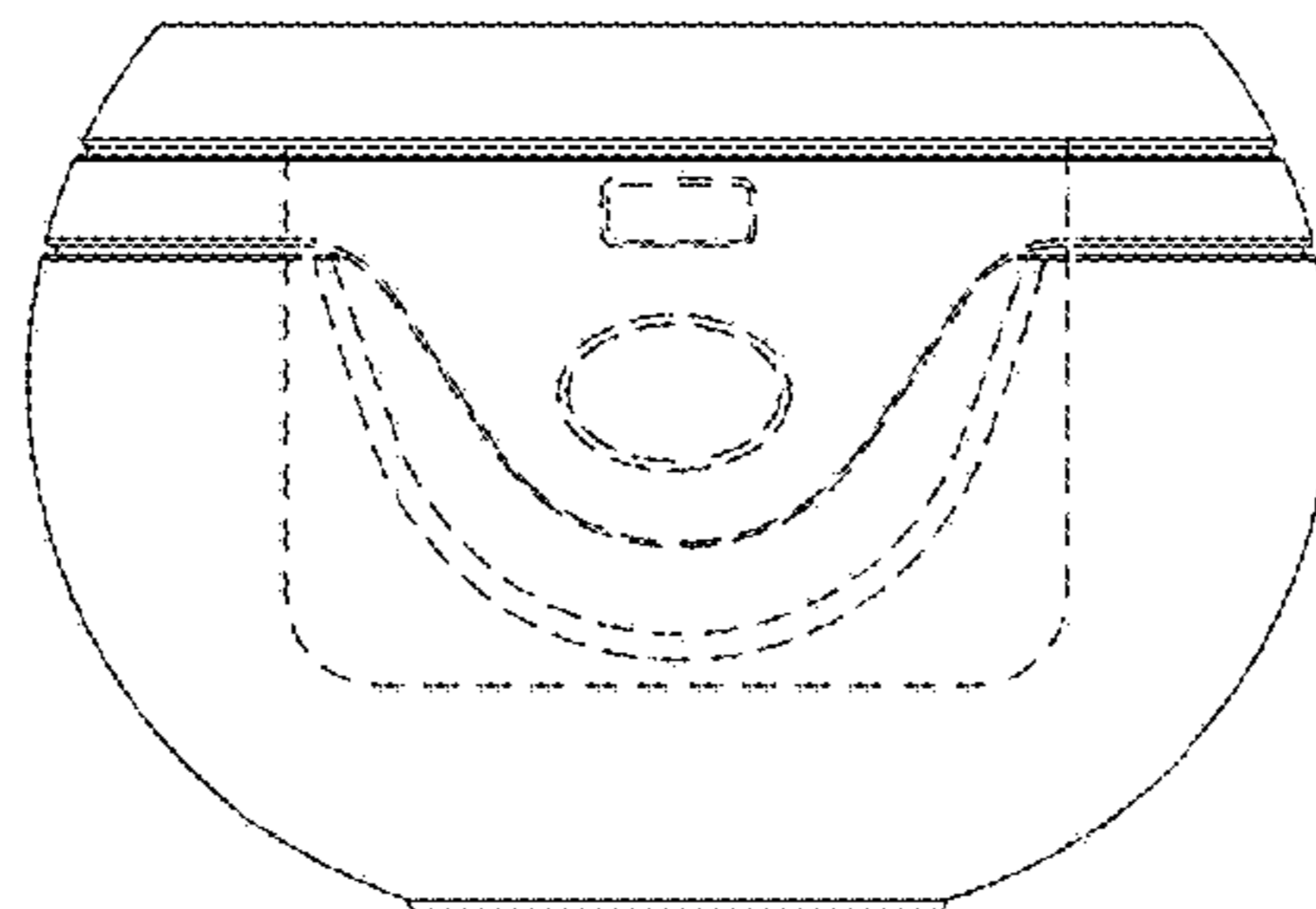


Fig. 22

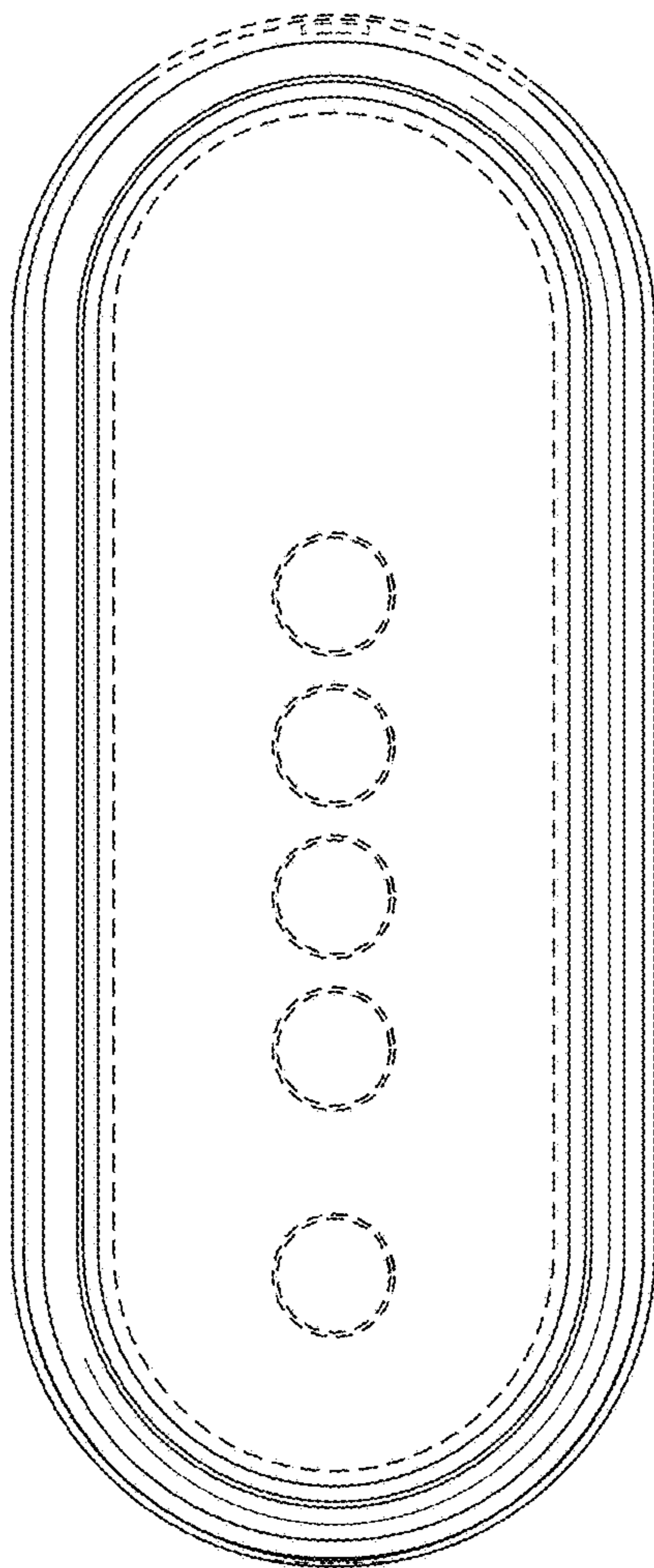


Fig. 23

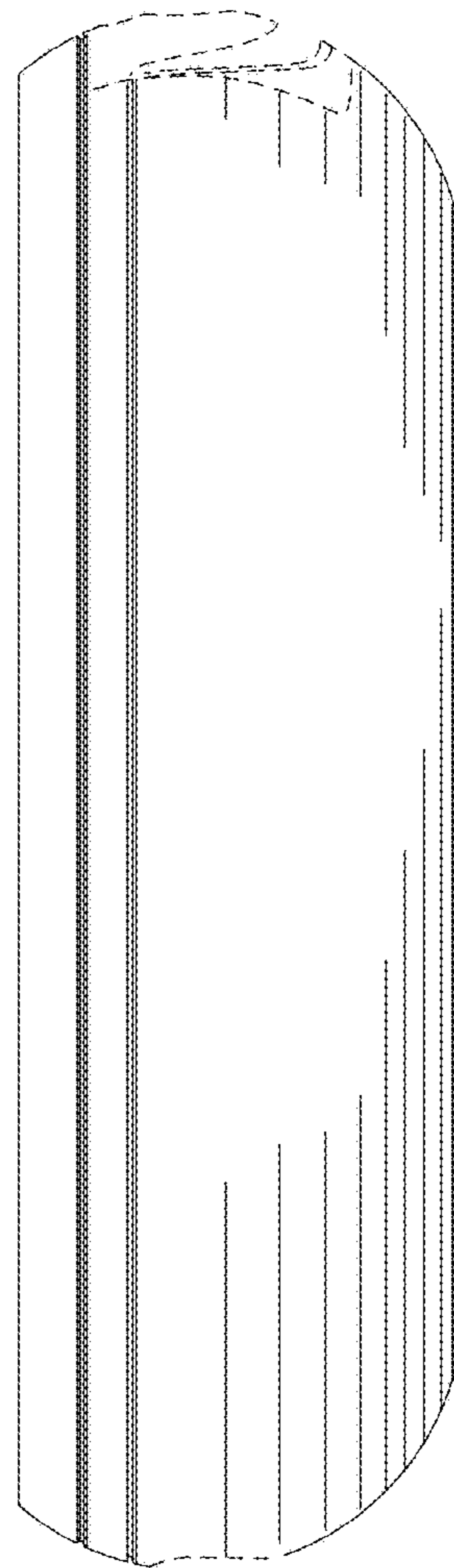




Fig. 24

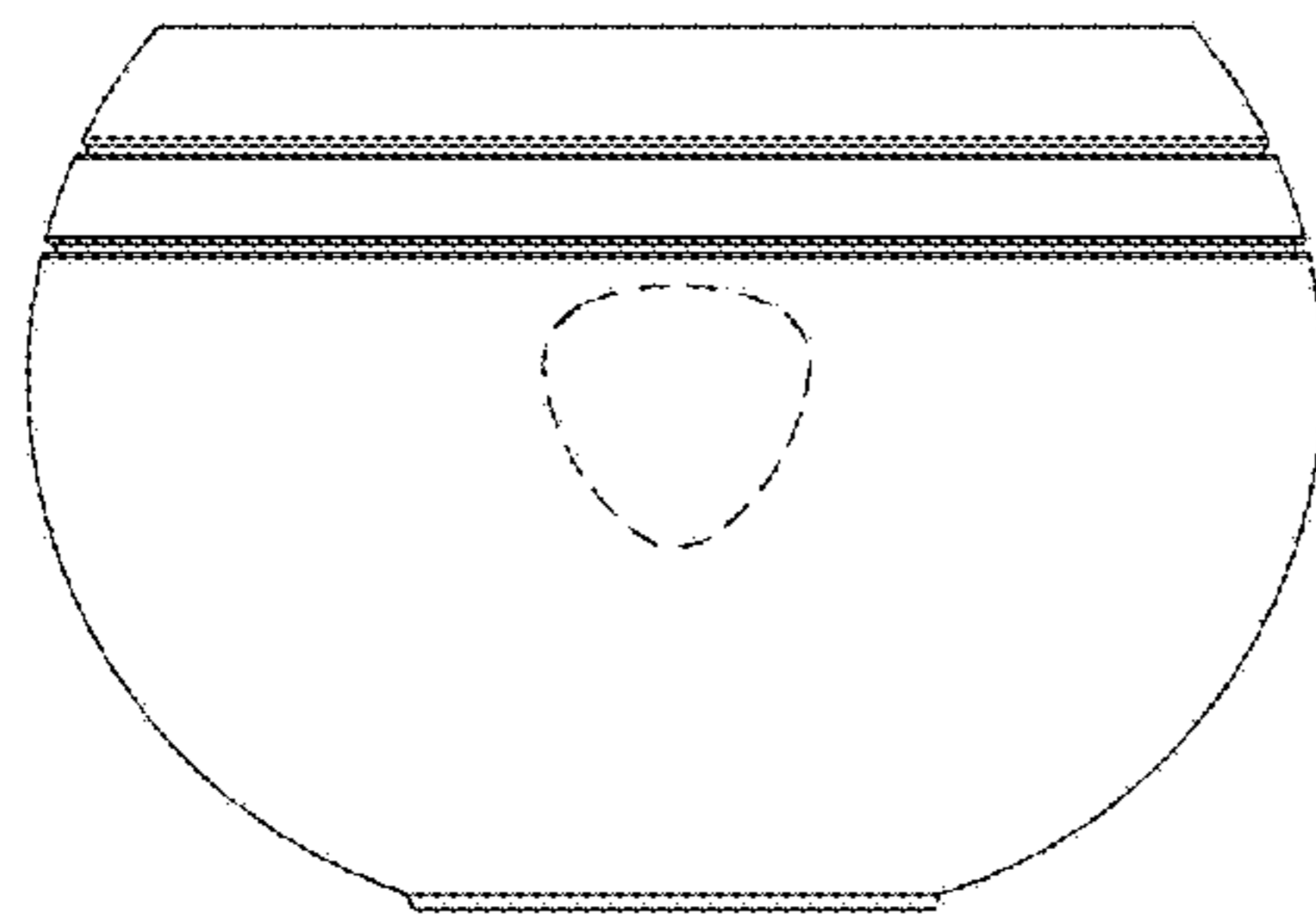


Fig. 25

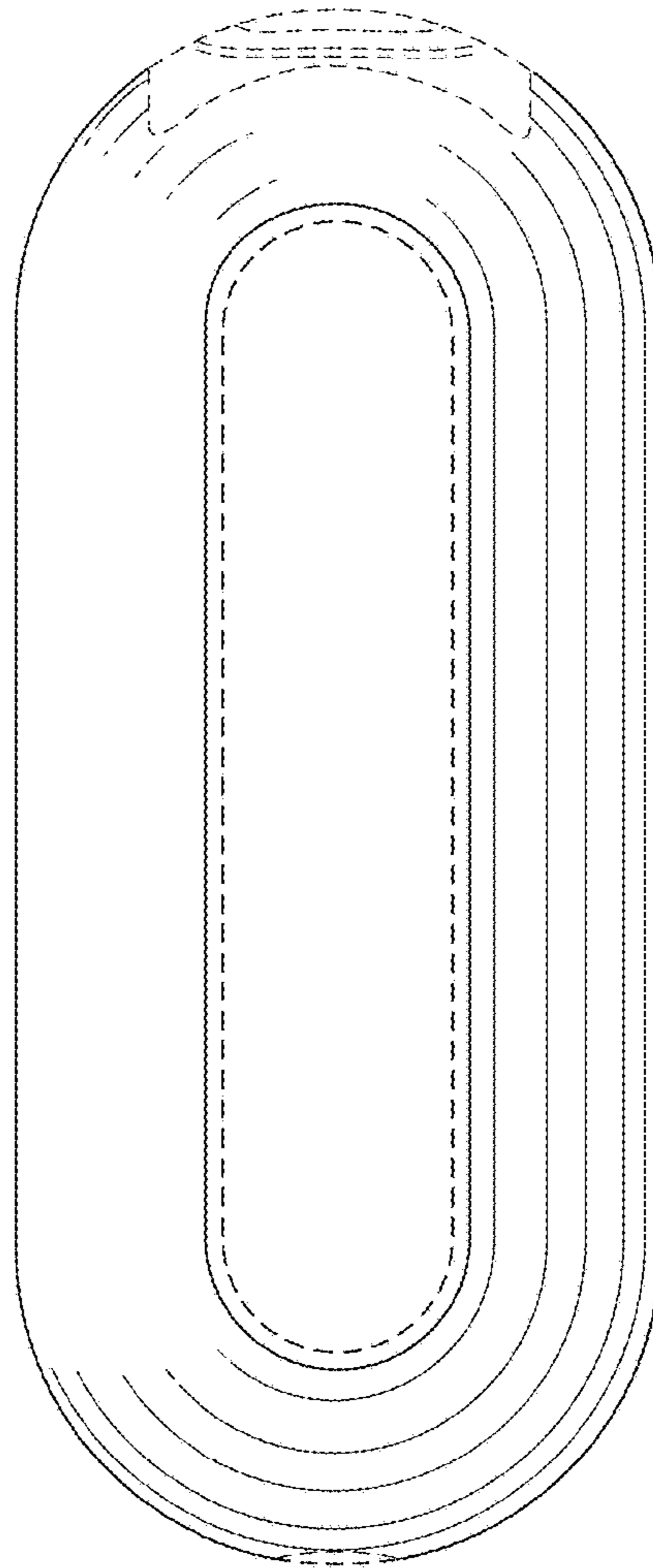


Fig. 26

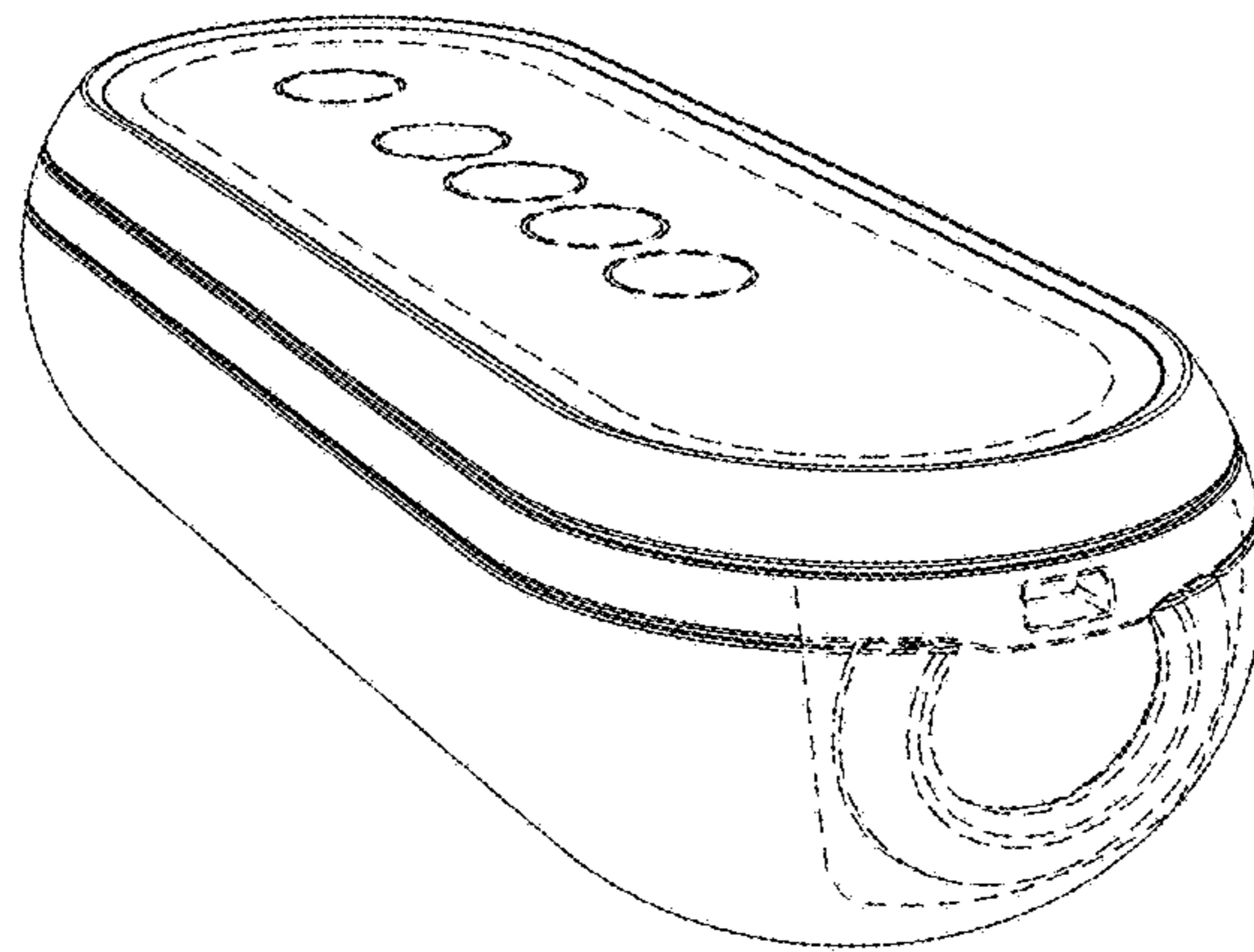


Fig. 27

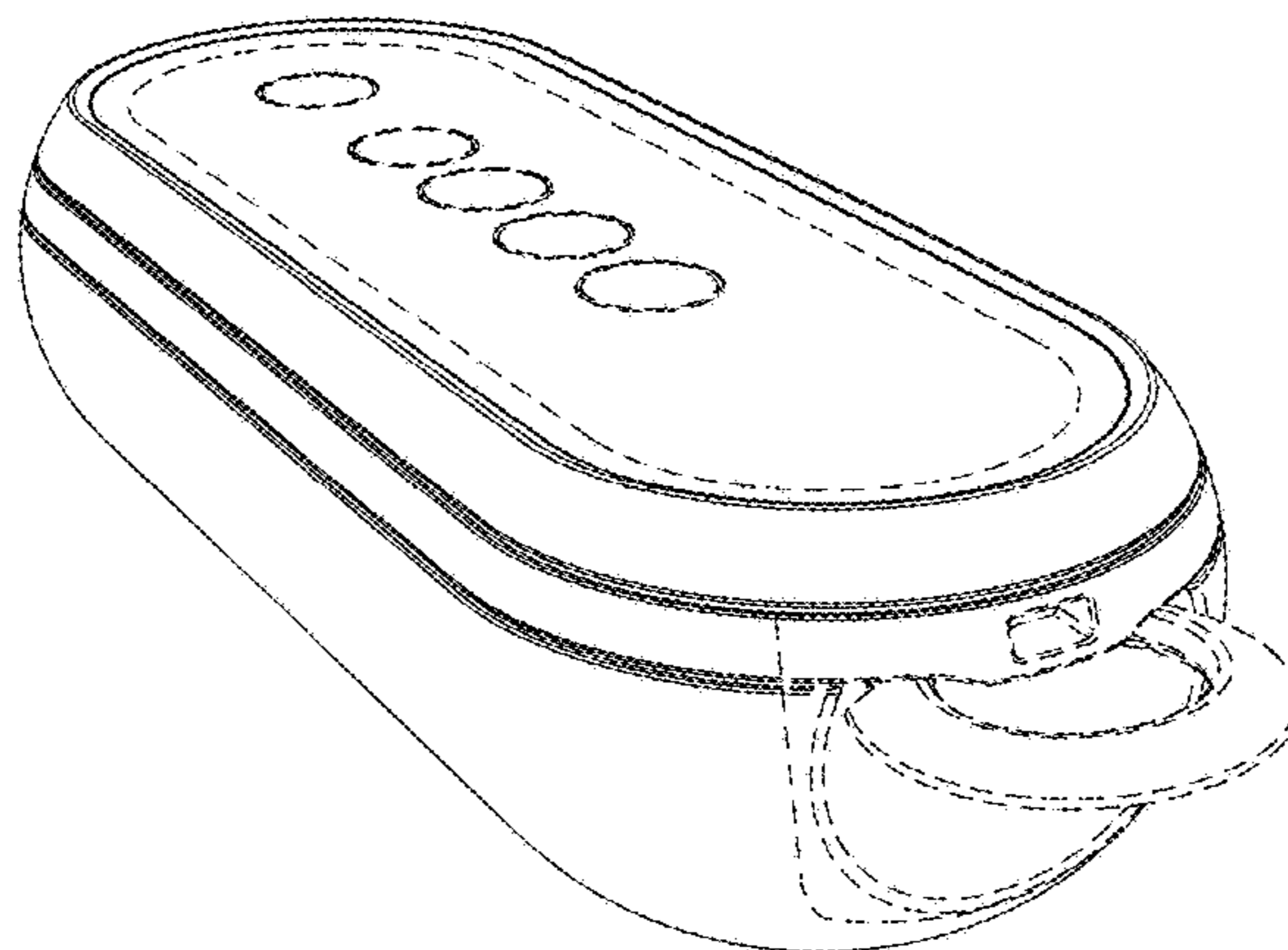


Fig. 28

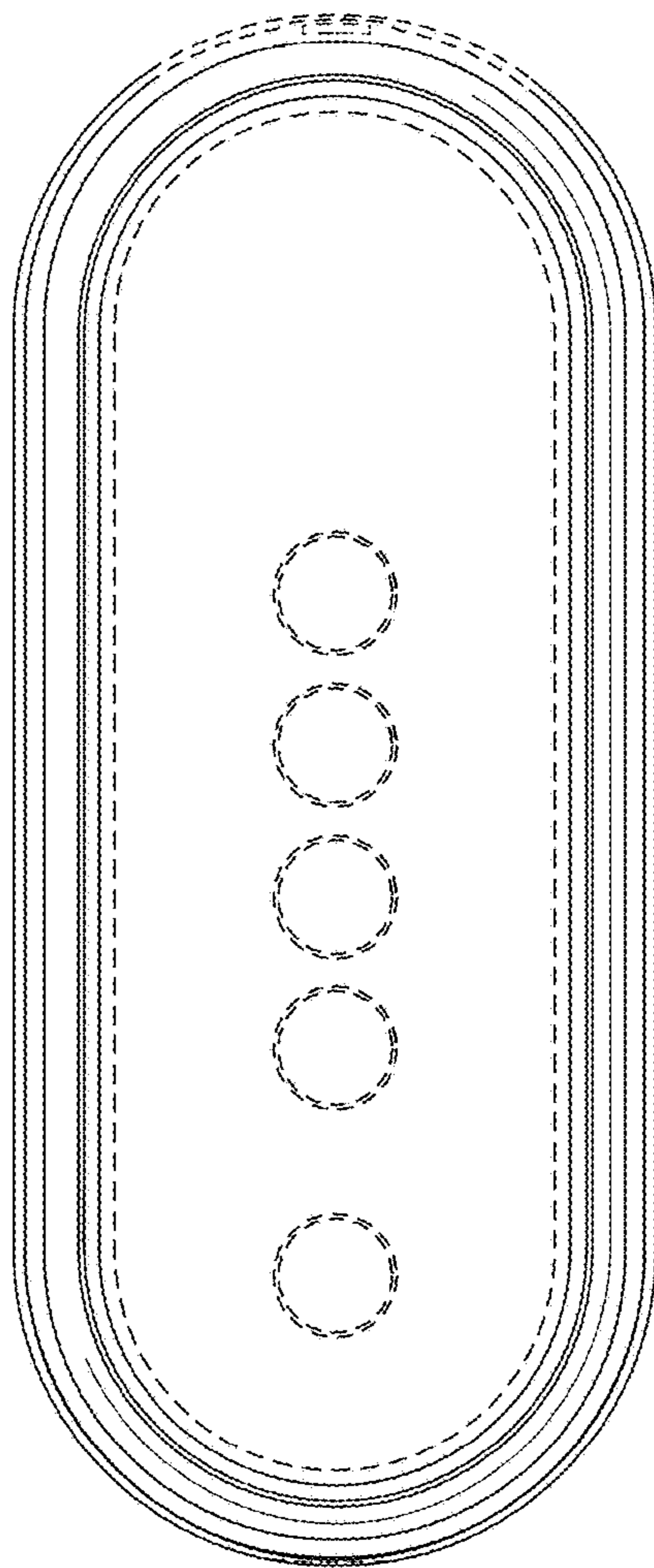


Fig. 29

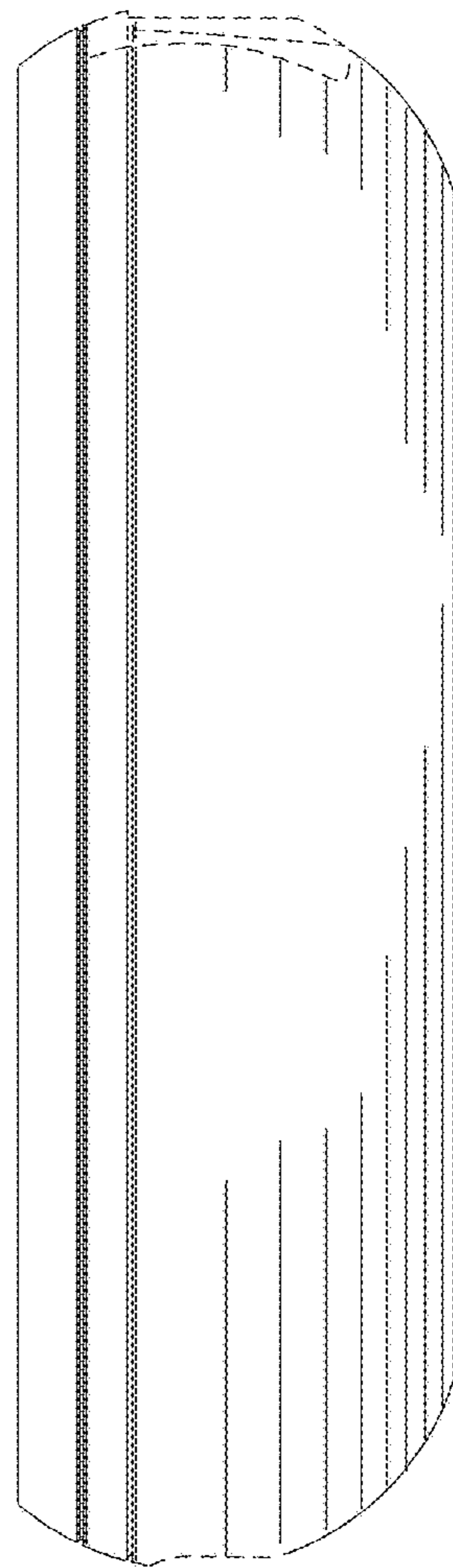


Fig. 30

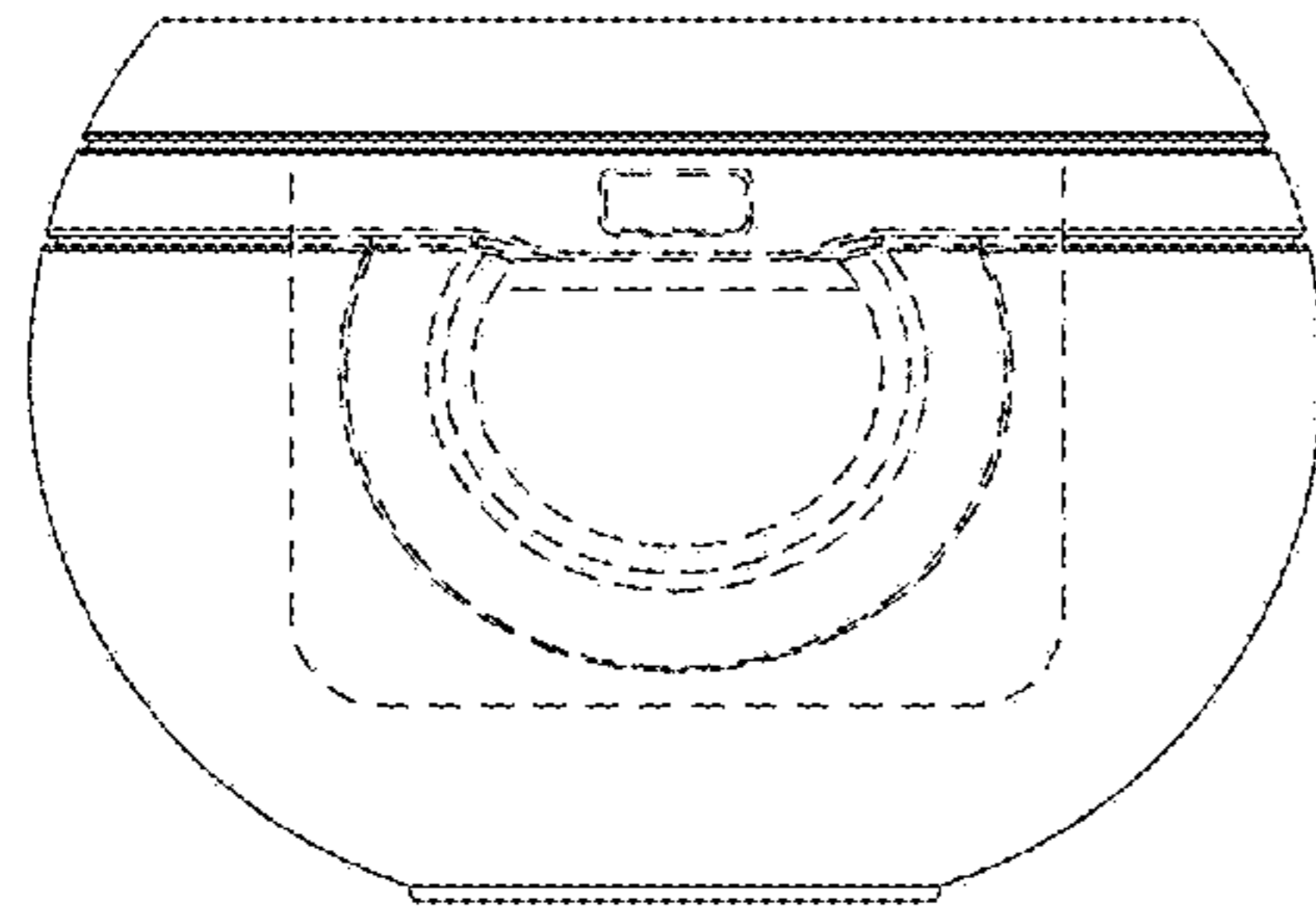


Fig. 31

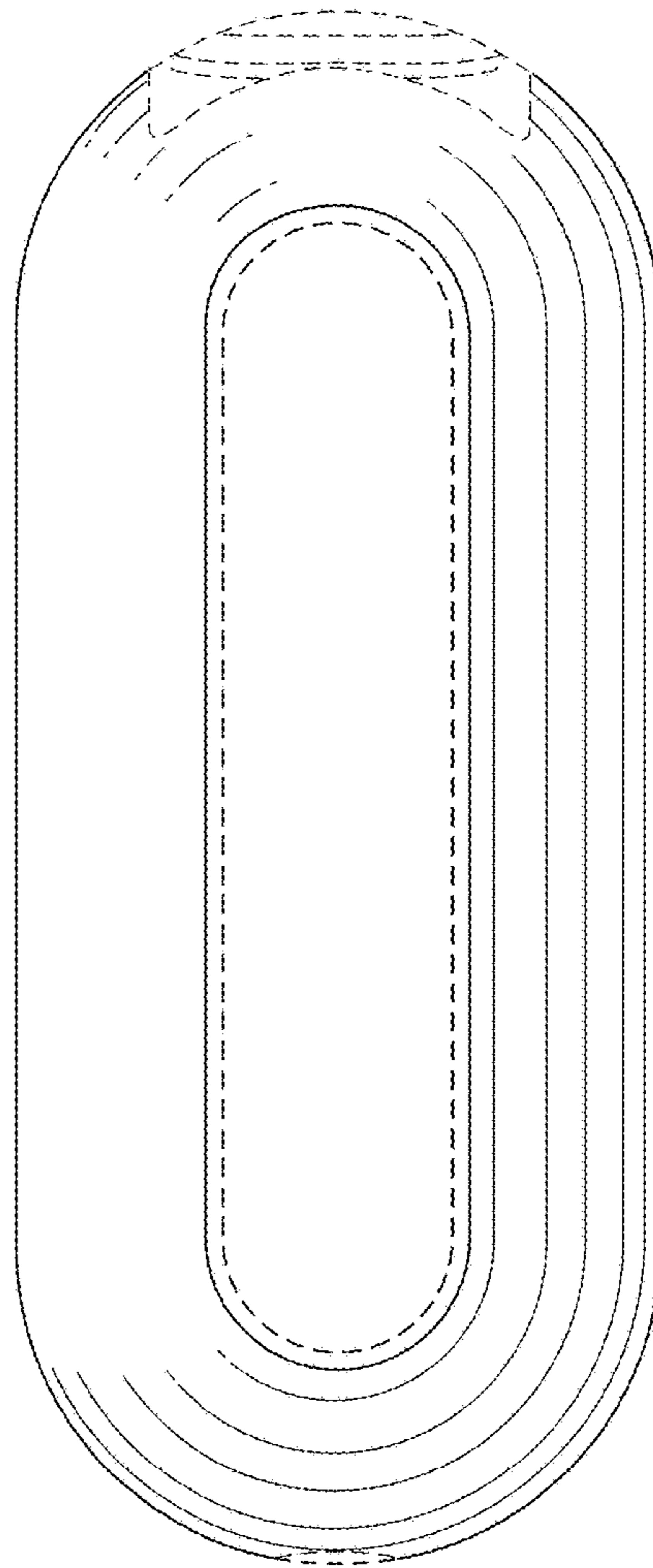


Fig. 32

