



US00D852944S

(12) **United States Design Patent** (10) **Patent No.:** **US D852,944 S**
Niemiec et al. (45) **Date of Patent:** **** Jul. 2, 2019**

(54) **FAN BLADE**

(71) Applicants: **Darrin Walter Niemiec**, Elgin, IL (US); **James C. Muth**, Oconomowoc, WI (US); **Patrick Todd Woodzick**, Waukesha, WI (US); **William J. Carlson**, Long Grove, IL (US)

(72) Inventors: **Darrin Walter Niemiec**, Elgin, IL (US); **James C. Muth**, Oconomowoc, WI (US); **Patrick Todd Woodzick**, Waukesha, WI (US); **William J. Carlson**, Long Grove, IL (US)

(73) Assignee: **WLC Enterprises, Inc.**, Schaumburg, IL (US)

(**) Term: **15 Years**

(21) Appl. No.: **29/556,421**

(22) Filed: **Mar. 1, 2016**

Related U.S. Application Data

(63) Continuation of application No. 29/534,731, filed on Jul. 30, 2015, now abandoned.

(51) **LOC (11) Cl.** **23-04**

(52) **U.S. Cl.**
USPC **D23/413**

(58) **Field of Classification Search**
USPC D23/370, 377, 379, 385, 411, 413;
D26/59

CPC F04D 25/08; F04D 29/388; F04D 29/34;
F04D 25/088

See application file for complete search history.

(56) **References Cited**

U.S. PATENT DOCUMENTS

6,244,821 B1 * 6/2001 Boyd F04D 25/088
416/210 R
D478,655 S * 8/2003 Gajewski D23/413

D489,447 S * 5/2004 Young D23/413
D503,472 S * 3/2005 Tai D23/413
D503,473 S * 3/2005 Tai D23/413
D503,474 S * 3/2005 Tai D23/413
D503,475 S * 3/2005 Tai D23/413
D503,795 S * 4/2005 Tai D23/413
D505,724 S * 5/2005 Tai D23/413
D745,658 S * 12/2015 Wang D23/413
D750,221 S * 2/2016 Schulzman D23/413
9,638,209 B1 * 5/2017 Cogley F04D 29/388
D796,659 S * 9/2017 Schulzman D23/377
2013/0129519 A1 * 5/2013 Nielsen F03D 1/0633
416/228
2013/0336790 A1 * 12/2013 Wortman F01D 5/141
416/170 R
2015/0147188 A1 * 5/2015 Danielsson F04D 25/0613
417/14
2017/0030361 A1 * 2/2017 Niemiec F04D 25/088
(Continued)

Primary Examiner — Janice Hallmark

(74) *Attorney, Agent, or Firm* — Vitale, Vickrey, Niro & Gasey

(57) **CLAIM**

The ornamental design for a fan blade, as shown and described.

DESCRIPTION

FIG. 1 is a perspective view of a fan blade showing our new design;

FIG. 2 is a top view thereof;

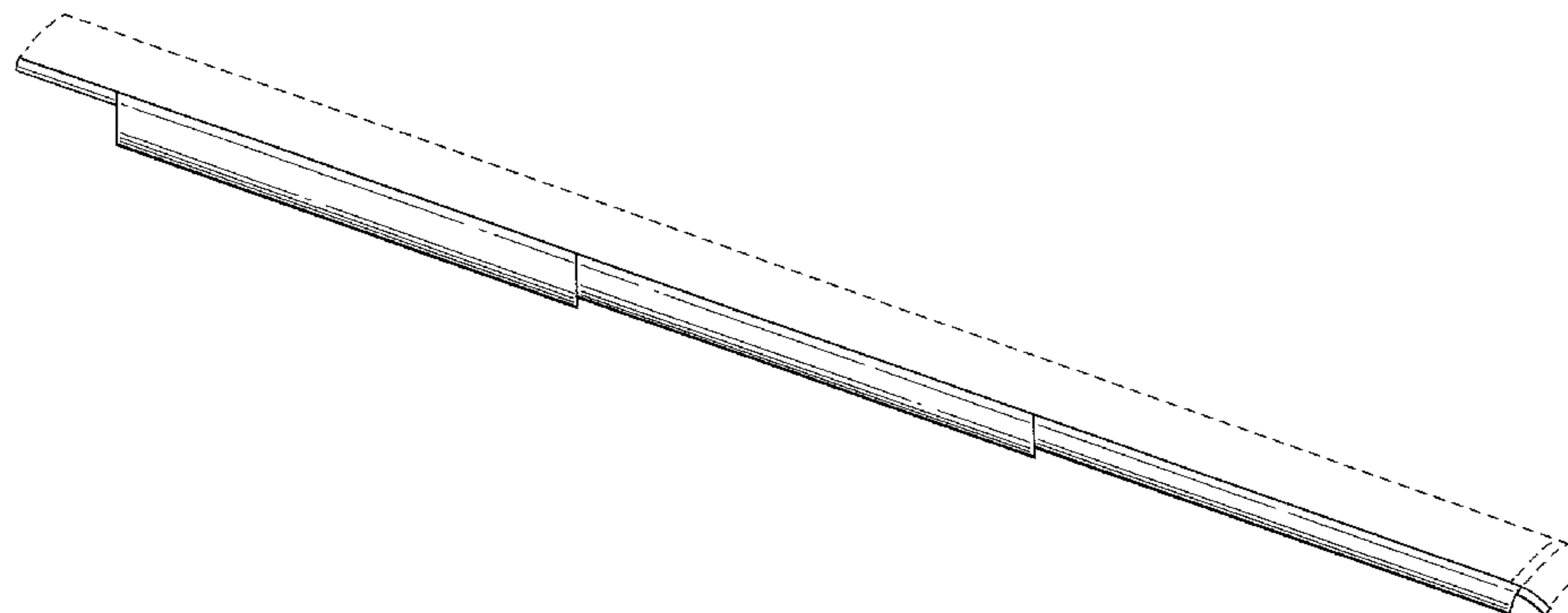
FIG. 3 is a side view thereof; and

FIG. 4 is another side view thereof; and,

FIG. 5 is a perspective view thereof.

The broken lines immediately adjacent the solid line portions of the drawing figures represent the bounds of the claimed design, while all other broken lines depict portions of the fan blade that form no part of the claimed design.

1 Claim, 3 Drawing Sheets



(56)

References Cited

U.S. PATENT DOCUMENTS

2017/0030369 A1* 2/2017 Niemiec F04D 29/384
2017/0114789 A1* 4/2017 Niemiec F04D 25/088

* cited by examiner

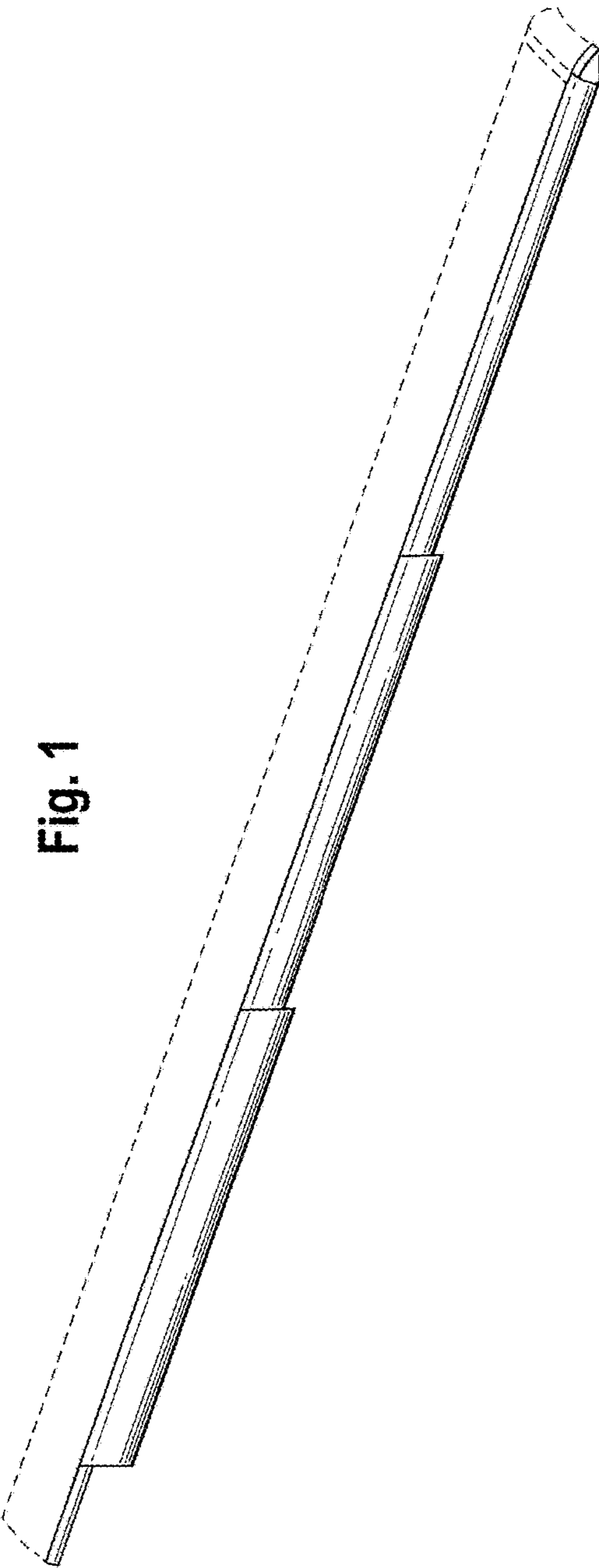


Fig. 1

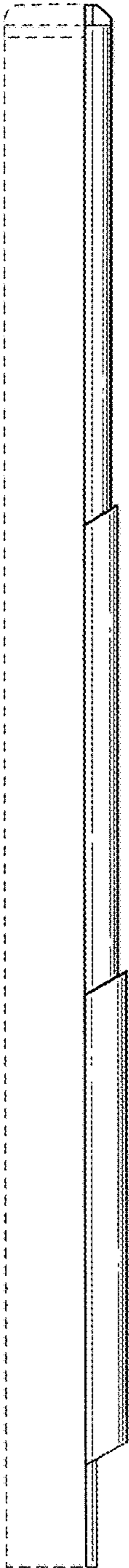
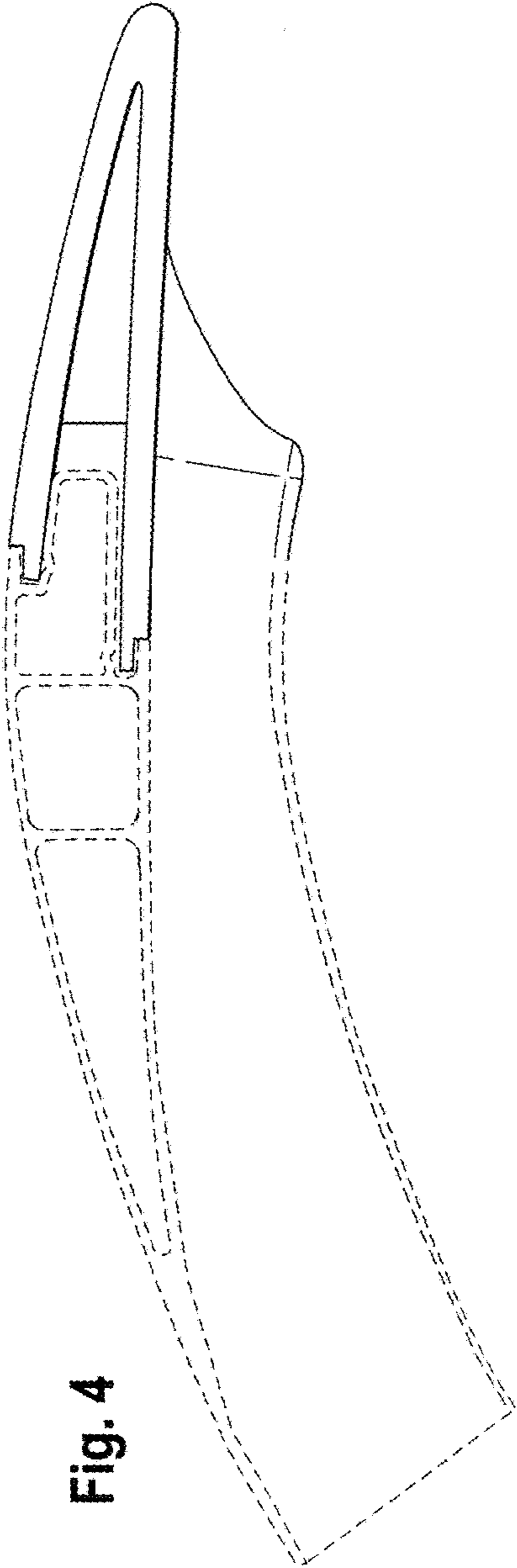
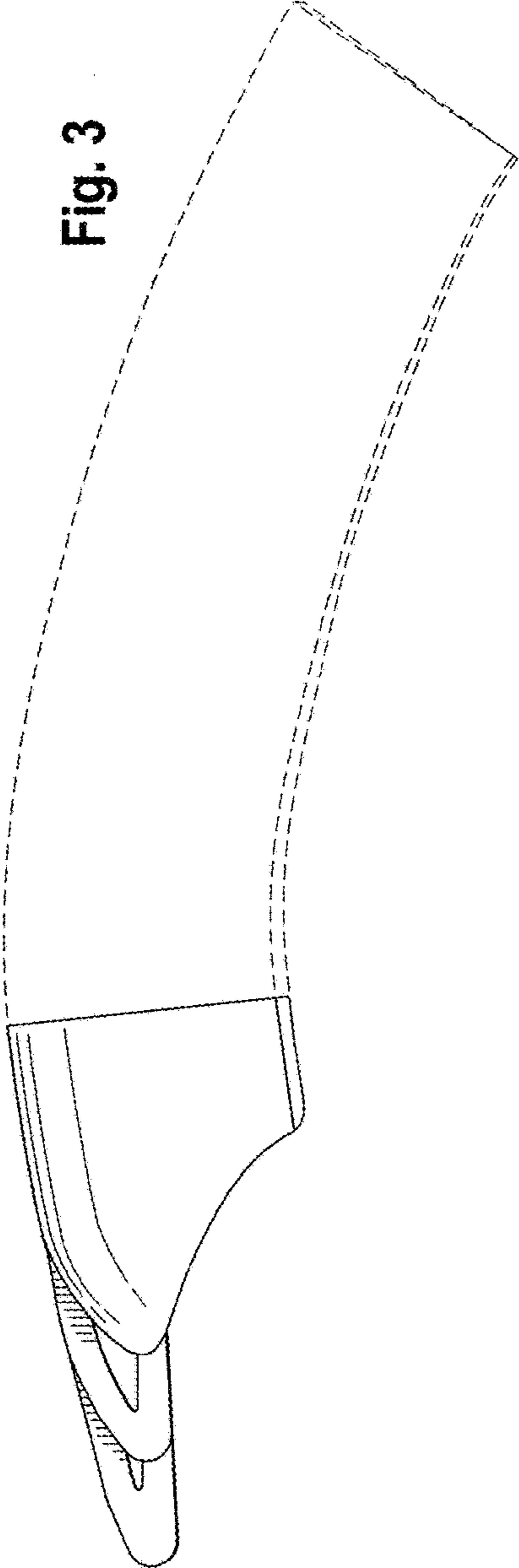


Fig. 2



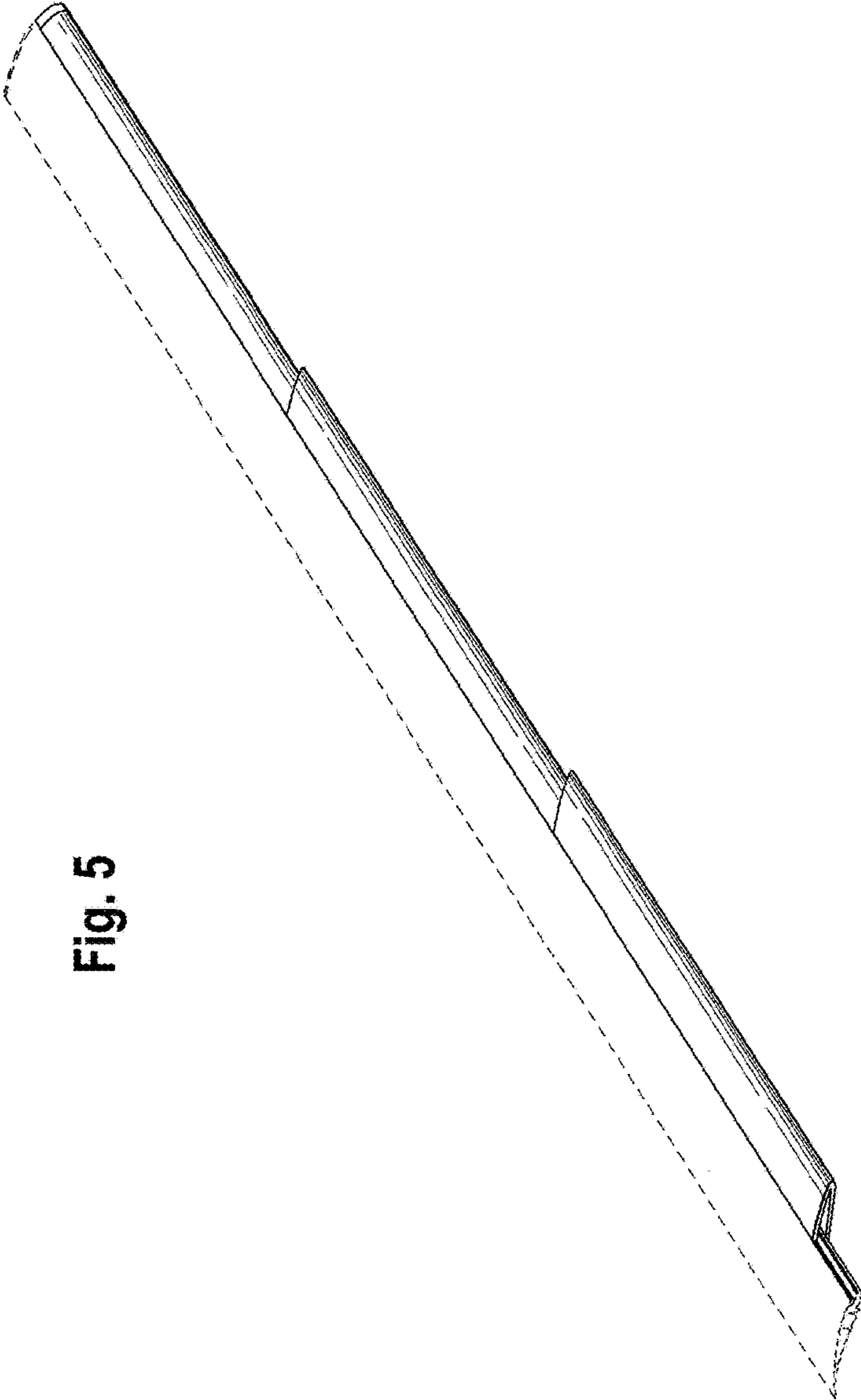


Fig. 5