



US00D852943S

(12) **United States Design Patent** (10) **Patent No.:** **US D852,943 S**  
**Niemiec et al.** (45) **Date of Patent:** **\*\* Jul. 2, 2019**

- (54) **FAN BLADE**
- (71) Applicants: **Darrin Walter Niemiec**, Elgin, IL (US); **James C. Muth**, Oconomowoc, WI (US); **Patrick Todd Woodzick**, Waukesha, WI (US); **William J. Carlson**, Long Grove, IL (US)
- (72) Inventors: **Darrin Walter Niemiec**, Elgin, IL (US); **James C. Muth**, Oconomowoc, WI (US); **Patrick Todd Woodzick**, Waukesha, WI (US); **William J. Carlson**, Long Grove, IL (US)
- (73) Assignee: **WLC Enterprises, Inc.**, Schaumburg, IL (US)
- (\*\*) Term: **15 Years**

- (21) Appl. No.: **29/556,417**
- (22) Filed: **Mar. 1, 2016**

**Related U.S. Application Data**

- (63) Continuation of application No. 29/534,730, filed on Jul. 30, 2015.
- (51) **LOC (11) Cl.** ..... **23-04**
- (52) **U.S. Cl.**  
USPC ..... **D23/413**
- (58) **Field of Classification Search**  
USPC ..... D23/370, 377, 379, 385, 411, 413;  
D26/59  
CPC ..... F04D 25/08; F04D 29/388; F04D 29/34;  
F04D 25/088  
See application file for complete search history.

(56) **References Cited**

**U.S. PATENT DOCUMENTS**

- 6,244,821 B1 \* 6/2001 Boyd ..... F04D 25/088  
416/210 R
- D478,655 S \* 8/2003 Gajewski ..... D23/413

- D489,447 S \* 5/2004 Young ..... D23/413
  - D503,472 S \* 3/2005 Tai ..... D23/413
  - D503,473 S \* 3/2005 Tai ..... D23/413
  - D503,474 S \* 3/2005 Tai ..... D23/413
  - D503,475 S \* 3/2005 Tai ..... D23/413
  - D503,795 S \* 4/2005 Tai ..... D23/413
  - D505,724 S \* 5/2005 Tai ..... D23/413
  - D745,658 S \* 12/2015 Wang ..... D23/413
  - D750,221 S \* 2/2016 Schulzman ..... D23/413
  - 9,638,209 B1 \* 5/2017 Cogley ..... F04D 29/388
  - D796,659 S \* 9/2017 Schulzman ..... D23/377
  - 2013/0129519 A1 \* 5/2013 Nielsen ..... F03D 1/0633  
416/228
  - 2013/0336790 A1 \* 12/2013 Wortman ..... F01D 5/141  
416/170 R
  - 2015/0147188 A1 \* 5/2015 Danielsson ..... F04D 25/0613  
417/14
  - 2017/0030361 A1 \* 2/2017 Niemiec ..... F04D 25/088
- (Continued)

*Primary Examiner* — Janice Hallmark

(74) *Attorney, Agent, or Firm* — Vitale, Vickrey, Niro & Gasey

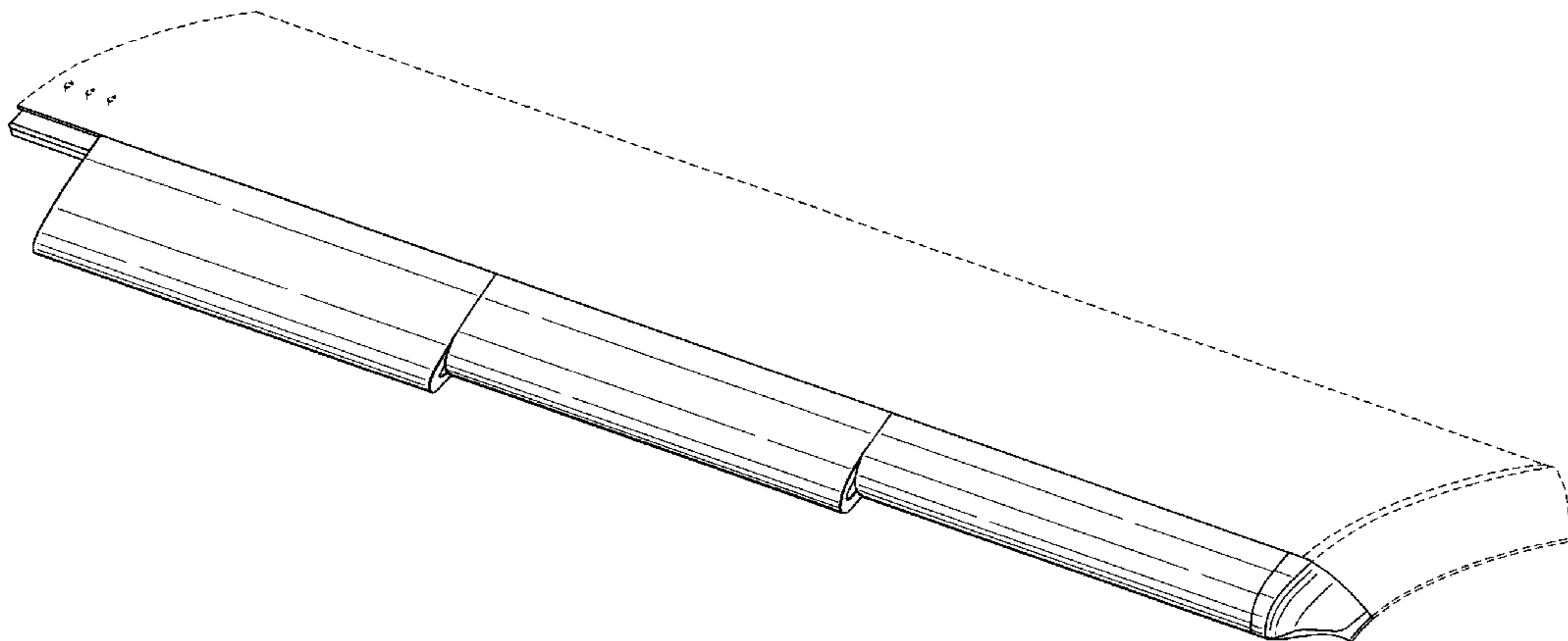
(57) **CLAIM**

The ornamental design for a fan blade, as shown and described.

**DESCRIPTION**

FIG. 1 is a front perspective view of the fan blade showing our new design;  
 FIG. 2 is a top view thereof;  
 FIG. 3 is a side view thereof; and,  
 FIG. 4 is another side view thereof.  
 The broken lines immediately adjacent the solid line portions of the drawing figures represent the bounds of the claimed design, while all other broken lines depict portions of the fan blade that form no part of the claimed design.

**1 Claim, 2 Drawing Sheets**



(56)

**References Cited**

U.S. PATENT DOCUMENTS

2017/0030369 A1\* 2/2017 Niemiec ..... F04D 29/384  
2017/0114789 A1\* 4/2017 Niemiec ..... F04D 25/088

\* cited by examiner

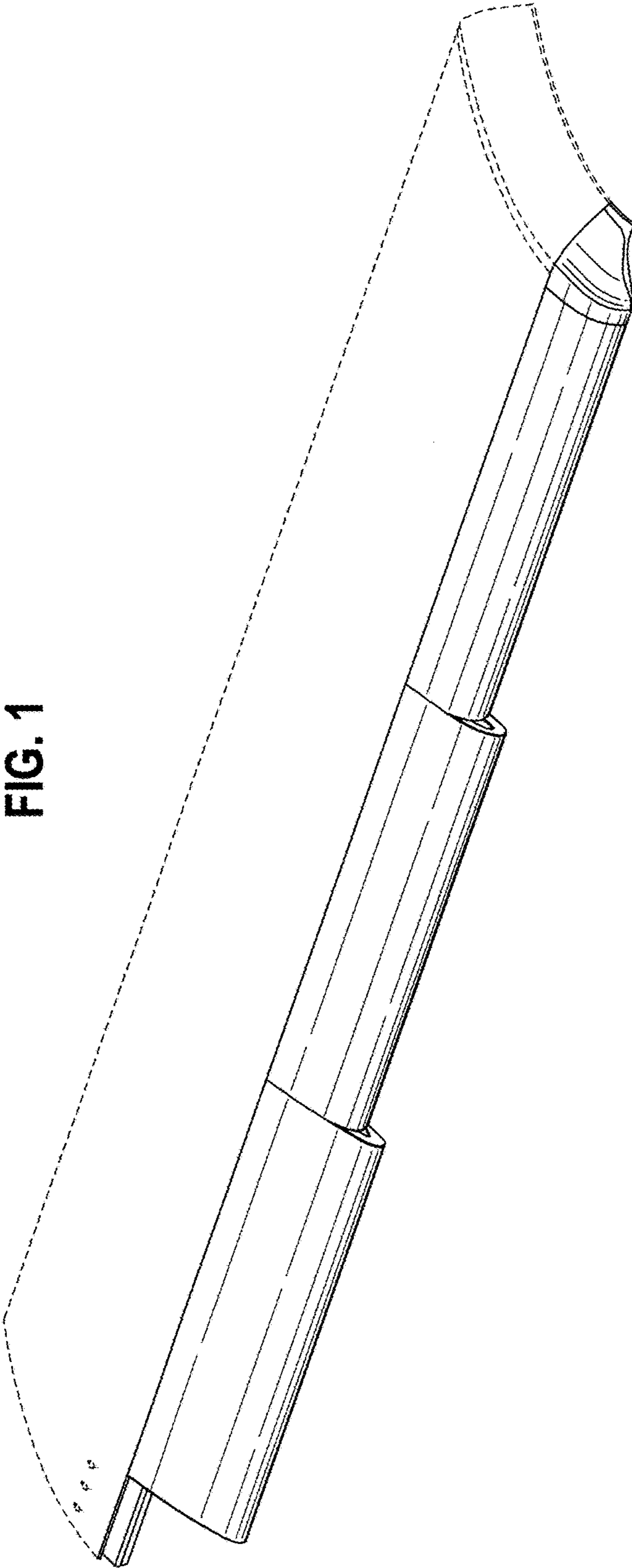


FIG. 1

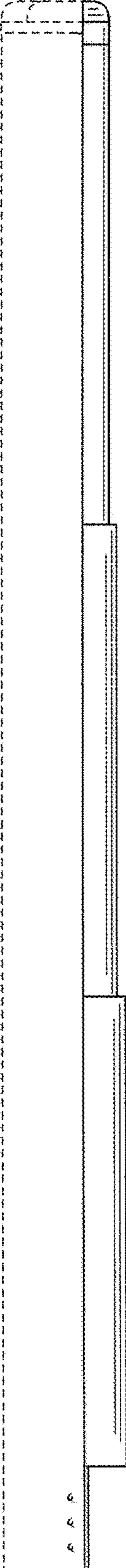


FIG. 2

