



US00D852942S

(12) **United States Design Patent**
McRoberts et al.

(10) **Patent No.:** **US D852,942 S**
(45) **Date of Patent:** **** Jul. 2, 2019**

- (54) **CEILING FAN MOTOR HOUSING**
- (71) Applicant: **HUNTER FAN COMPANY**,
Memphis, TN (US)
- (72) Inventors: **Claire Bernice McRoberts**, Memphis,
TN (US); **Stephen David Michael**
Jones, Sandy Springs, GA (US)
- (73) Assignee: **Hunter Fan Company**, Memphis, TN
(US)
- (**) Term: **15 Years**
- (21) Appl. No.: **29/617,367**
- (22) Filed: **Sep. 13, 2017**

Related U.S. Application Data

- (62) Division of application No. 29/582,747, filed on Oct.
31, 2016, now Pat. No. Des. 804,641.
- (51) **LOC (11) Cl.** **23-04**
- (52) **U.S. Cl.**
USPC **D23/411**
- (58) **Field of Classification Search**
USPC D23/370, 377, 379, 385, 411; D26/59
CPC F04D 25/088; F21V 33/0096
See application file for complete search history.

References Cited

U.S. PATENT DOCUMENTS

- D298,052 S 10/1988 Sonneman
- D328,951 S 8/1992 Scofield et al.
- D331,101 S 11/1992 Rezek
- D342,311 S 12/1993 Rezek
- D373,185 S 8/1996 Tseng
- D421,797 S 3/2000 Collmar
- D453,563 S 2/2002 Bogazzi
- D475,782 S 6/2003 Hidalgo
- D476,411 S * 6/2003 Friedes D23/411

- D477,396 S 7/2003 Campbell
- D477,397 S 7/2003 Chen
- D488,554 S 4/2004 Bacon et al.
- D505,196 S 5/2005 Bacon et al.
- D515,693 S * 2/2006 Frampton D23/411
- D527,097 S 8/2006 Ertze
- D535,014 S * 1/2007 Pickett D23/411
- D549,315 S 8/2007 Gajewski
- D549,814 S 8/2007 Gajewski
- D551,335 S 9/2007 Gajewski
- D572,814 S 7/2008 Bucher et al.
- D588,299 S * 3/2009 Sabernig D26/88
- D598,999 S 8/2009 Hidalgo
- D599,003 S 8/2009 Hidalgo

(Continued)

OTHER PUBLICATIONS

<http://www.montecarlofans.com/28203/52-Muirfield-Fan—Polished-Nickel-3MUR52PND.html>, Item Specification for 52" Muirfield Fan—Polished Nickel, Accessed Oct. 25, 2016.

(Continued)

Primary Examiner — Janice Hallmark

(74) *Attorney, Agent, or Firm* — McGarry Bair PC

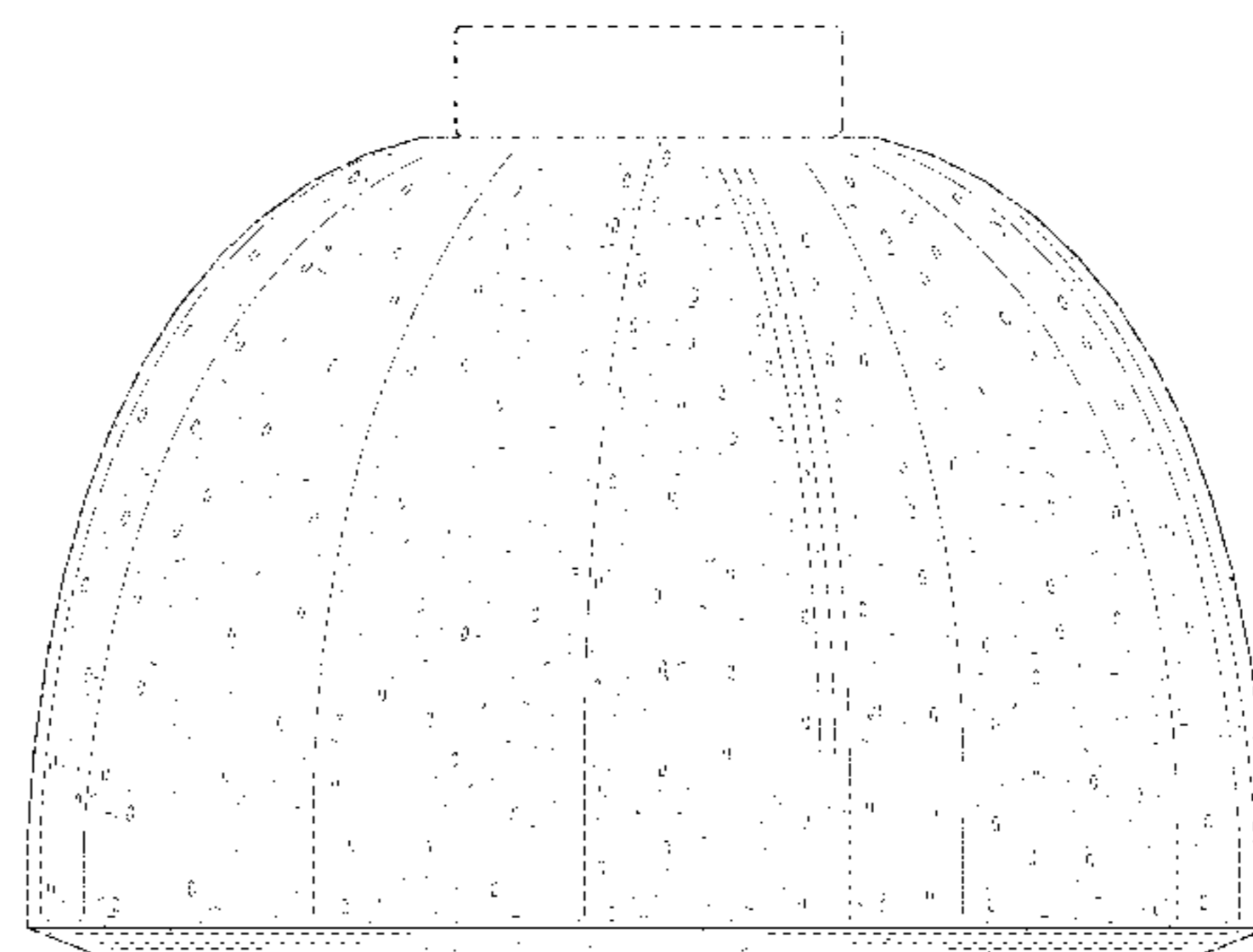
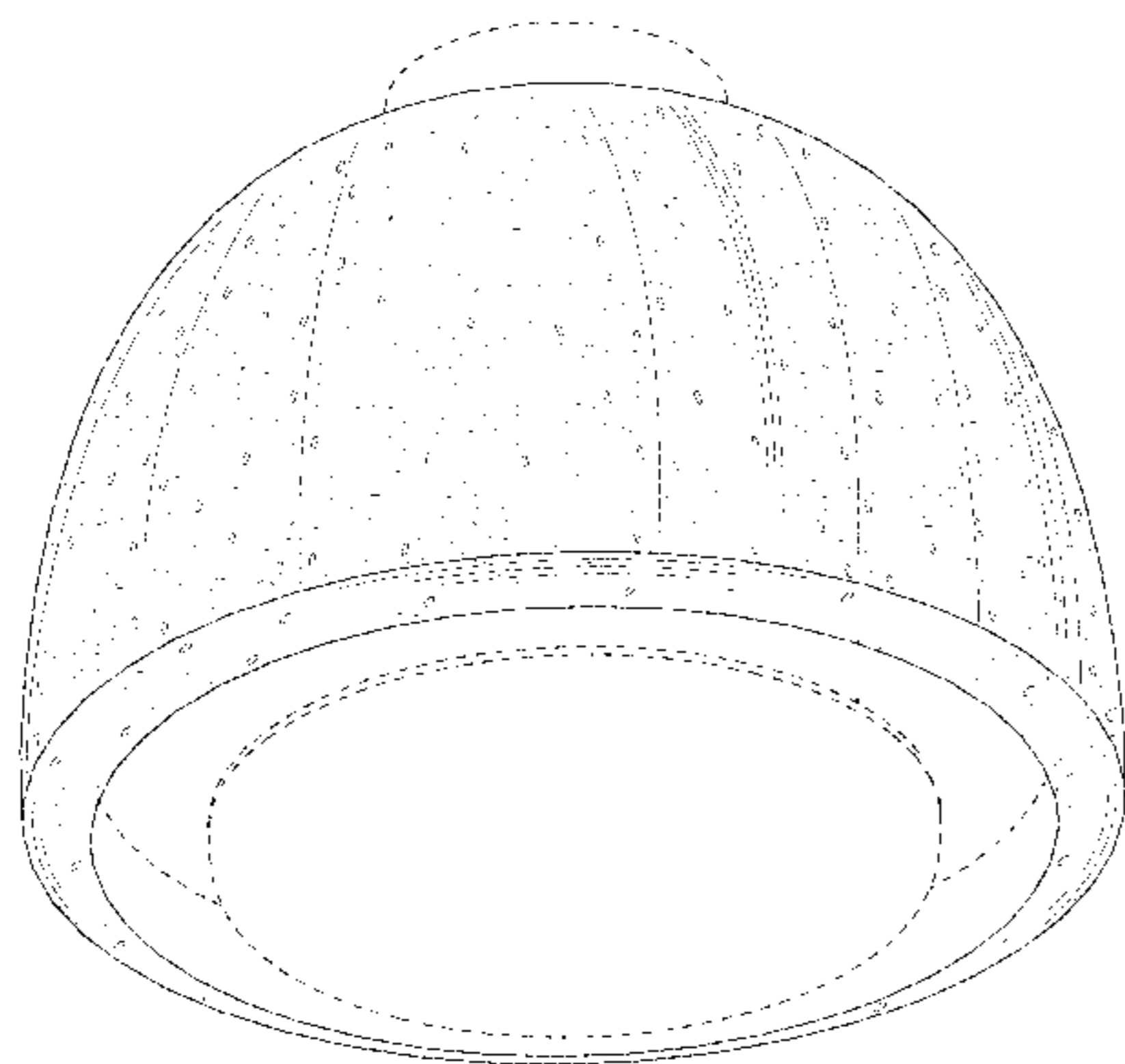
(57) **CLAIM**

The ornamental design for a ceiling fan motor housing, as shown and described.

DESCRIPTION

FIG. 1 is a top perspective view of a ceiling fan motor housing showing my new design; FIG. 2 is a bottom perspective view thereof; FIG. 3 is a top view thereof; FIG. 4 is a bottom view thereof; and, FIG. 5 is a front side view and the rear, right, and left side views are identical. The broken lines in the drawings depict environmental subject matter only and form no part of the claimed design.

1 Claim, 5 Drawing Sheets



(56)

References Cited

U.S. PATENT DOCUMENTS

D599,459	S	9/2009	Hidalgo	
D618,786	S	6/2010	Hidalgo	
D619,238	S	7/2010	Hidalgo	
D620,632	S *	7/2010	Wanders	D26/88
D632,381	S	2/2011	Davenport et al.	
D674,530	S *	1/2013	Wanders	D26/88
D706,410	S	6/2014	Pan	
D707,336	S	6/2014	Pan	
D739,001	S	9/2015	Crisa'	
D804,641	S *	12/2017	McRoberts	D23/377
D809,691	S *	2/2018	Wang	D26/59
D827,120	S *	8/2018	Crisa'	D23/372
2008/0286105	A1	11/2008	Gajewski et al.	

OTHER PUBLICATIONS

<http://www.kichler.com/products/product/52-inch-vassar-ceiling-fan-ni-300175ni.aspx>, Item Specification for 52" Vassar Ceiling Fan NI, Accessed Oct. 25, 2016.

<http://ceilingfans.emerson.com/shop/en/fan/fan-s-all/fans-s-browse-all/52-curve-fan-p-cf252>, Item Specification for 52" Curva, Accessed Oct. 25, 2016.

<http://www.quoruminternational.com/index.cfm/app/productDetail?product=21542-14>, Item Specification for Muse Ch—Chrome Ceiling Fan, Accessed Oct. 25, 2016.

<http://www.hunterfan.com/Ceiling-Fans/Leoni?ModelNumber=59220>, Item Specification for Leoni—48" Ceiling Fan, Accessed Oct. 26, 2016.

<http://www.casablancafanco.com/Ceiling-Fans/Aris?ModelNumber=59123>, Item Specification for Aris 54" Ceiling Fan, Accessed Oct. 26, 2016.

<http://www.fanimation.com/products/index.php/blades/18-inch-inlet-composite-blade-set.html>, Item Specification for Fanimation 18" Inlet Composite Blade Set, Accessed Oct. 26, 2016.

<http://www.hunterfan.com/Ceiling-Fans/Windemere?ModelNumber=59039>, Item Specification for Windemere—54" Ceiling Fan, Accessed Oct. 26, 2016.

<http://www.hunterfan.com/Ceiling-Fans/Acadia?ModelNumber=59171>, Item Specification for Acadia—46" Ceiling Fan, Accessed Oct. 26, 2016.

<http://www.craftmade.com/Craftmade-FA52BN5-Nickel-Ceiling-Fan.HTM>, Item Specification for Craftmade 5th Avenue Accessed Oct. 26, 2016.

<http://www.quoruminternational.com/index.cfm/app/productDetail?product=42523-86>, Item Specification for Bronx Ob—Oiled Bronze Ceiling Fan, Accessed Oct. 26, 2016.

<http://www.craftmade.com/Craftmade-PU52SS5-Stainless-Steel-Ceiling-Fan.HTM>, Item Specification for Craftmade Pulsar Stainless Steel Finish, Accessed Oct. 26, 2016.

http://www.cens.com/cens/html/en/product/product_main_77131.html, Item Specification for Pluto-iFan Series, Accessed Oct. 26, 2016.

<http://www.houzz.com/photos/11393084/Kichler-300121OBB-46-Inch-Eva-Fan-transitional-ceiling-fans>, Item Specification for Kichler 300121OBB 46" Eva Fan, Accessed Oct. 26, 2016.

<http://www.minkagroup.net/minka-aire/fans>, Item Specification for Minka Aire Java 54" Ceiling Fan in Brushed Nickel, Accessed Oct. 26, 2016.

<http://www.fanimation.com/products/index.php/blades/60-inch-buttonwood-blade-set-351.html>, Item Specification for Fanimation 60-Inch Distinction Butoonwood Blade Set, Accessed Oct. 26, 2016.

<http://www.casablancafanco.com/Ceiling-Fans/Verse?ModelNumber=59160>, Item Specification for Casablanca Verse 54" Ceiling Fan, Accessed Oct. 26, 2016.

<http://www.kichler.com/products/product/52-inch-lacey-ceiling-fan-oz-300181oz.aspx>, Item Specification for Kichler 52" Lacey Ceiling Fan OZ, Accessed Oct. 26, 2016.

* cited by examiner

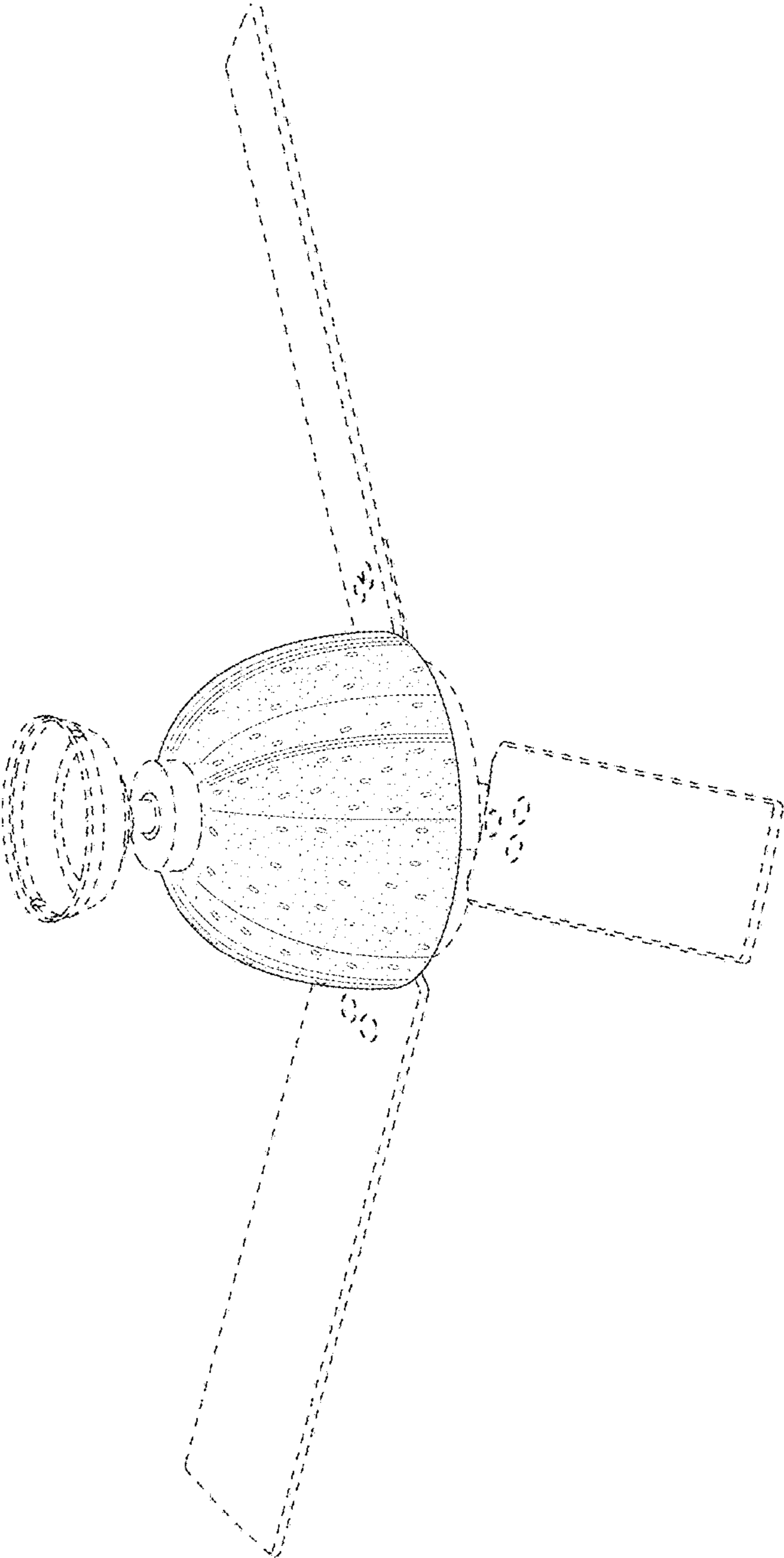


FIG. 1

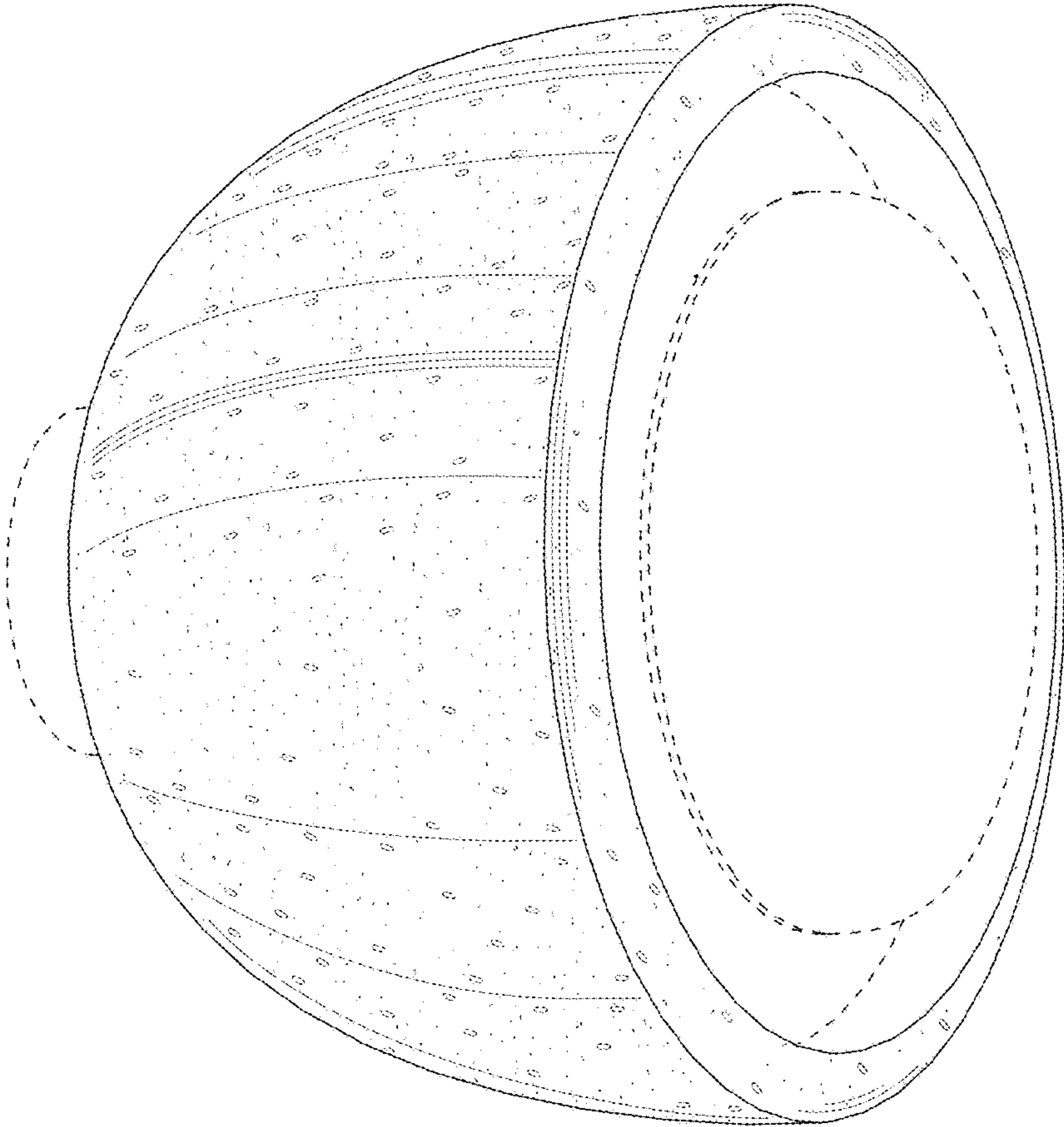


FIG. 2

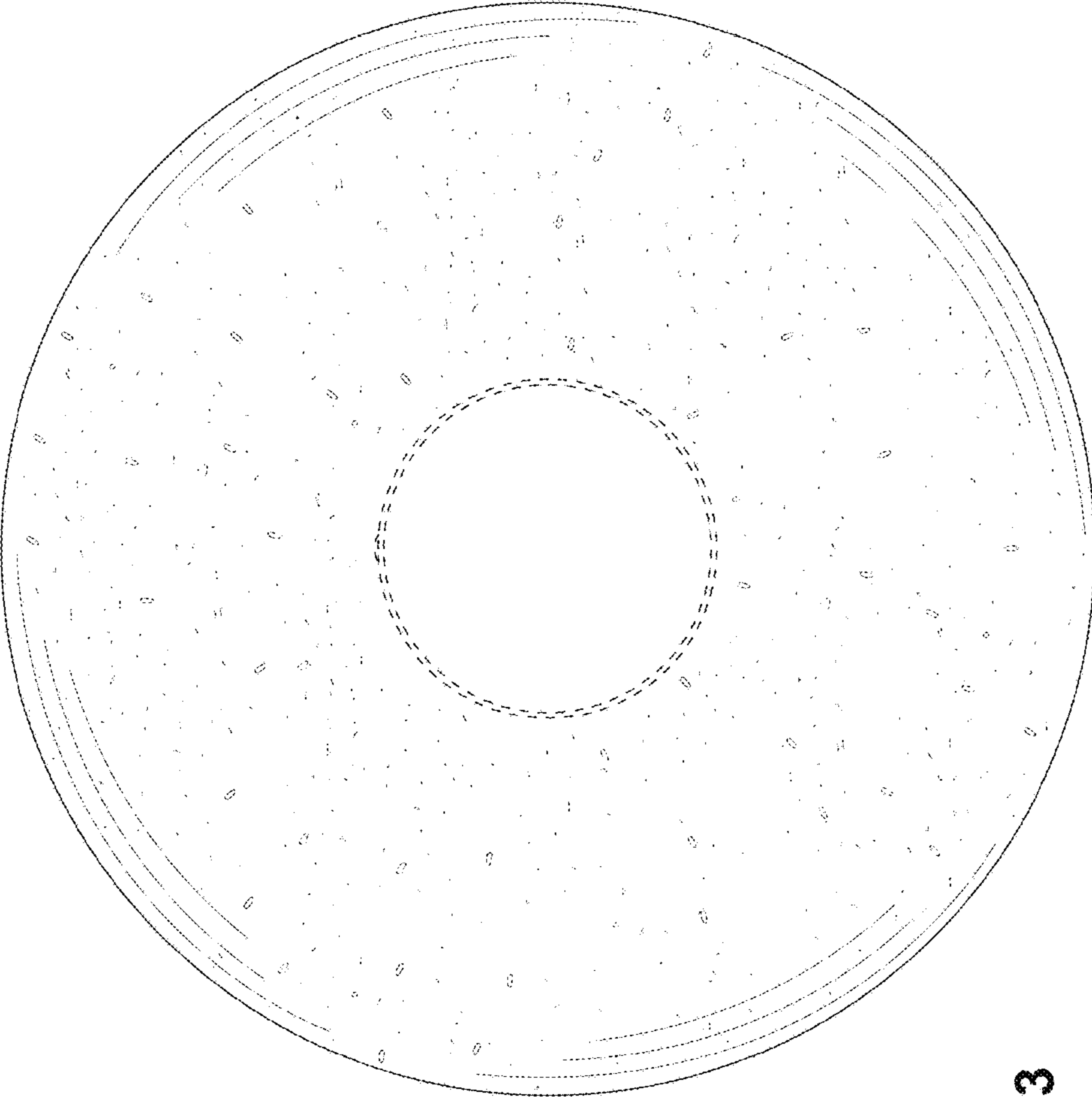


FIG. 3

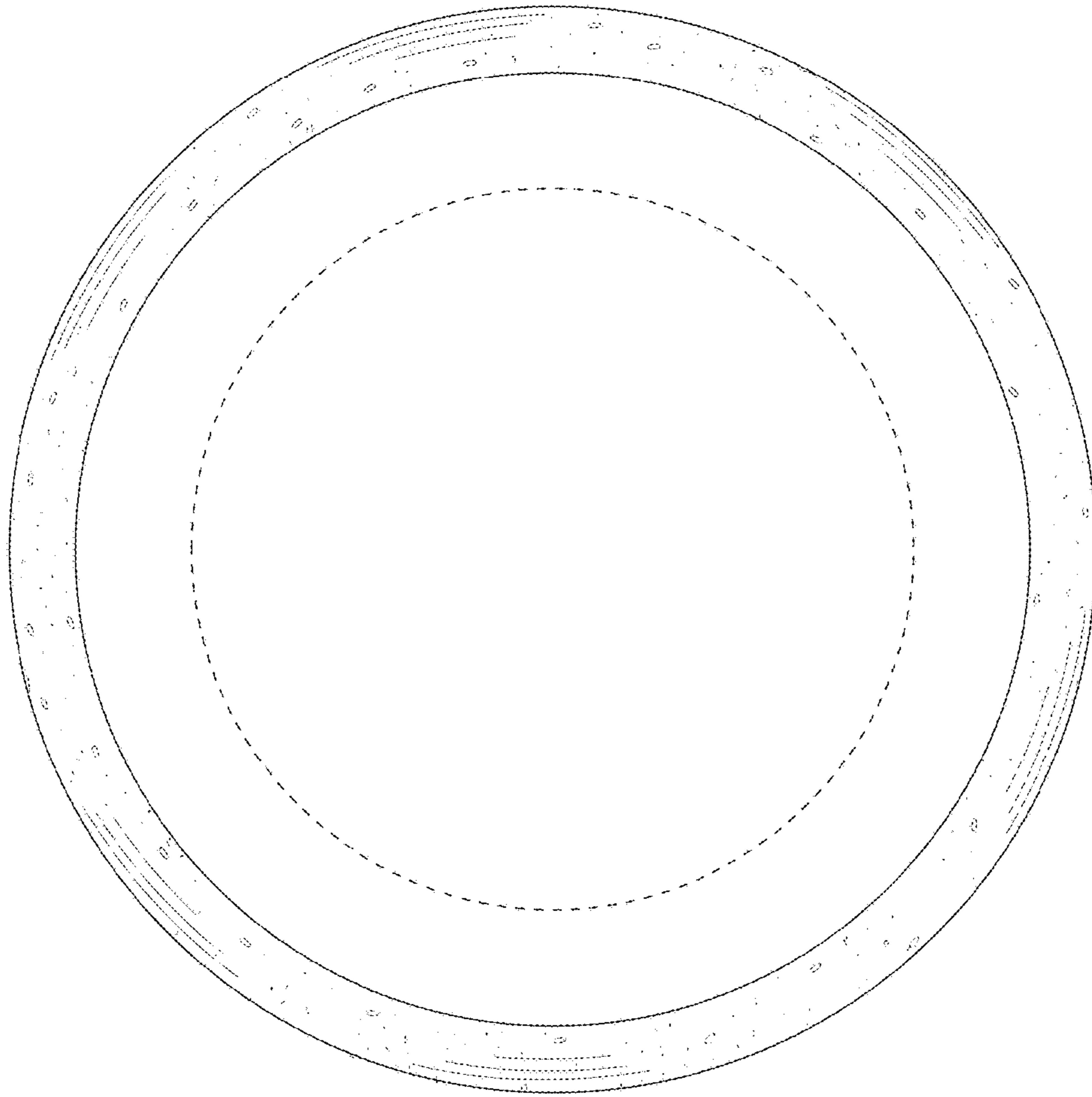


FIG. 4

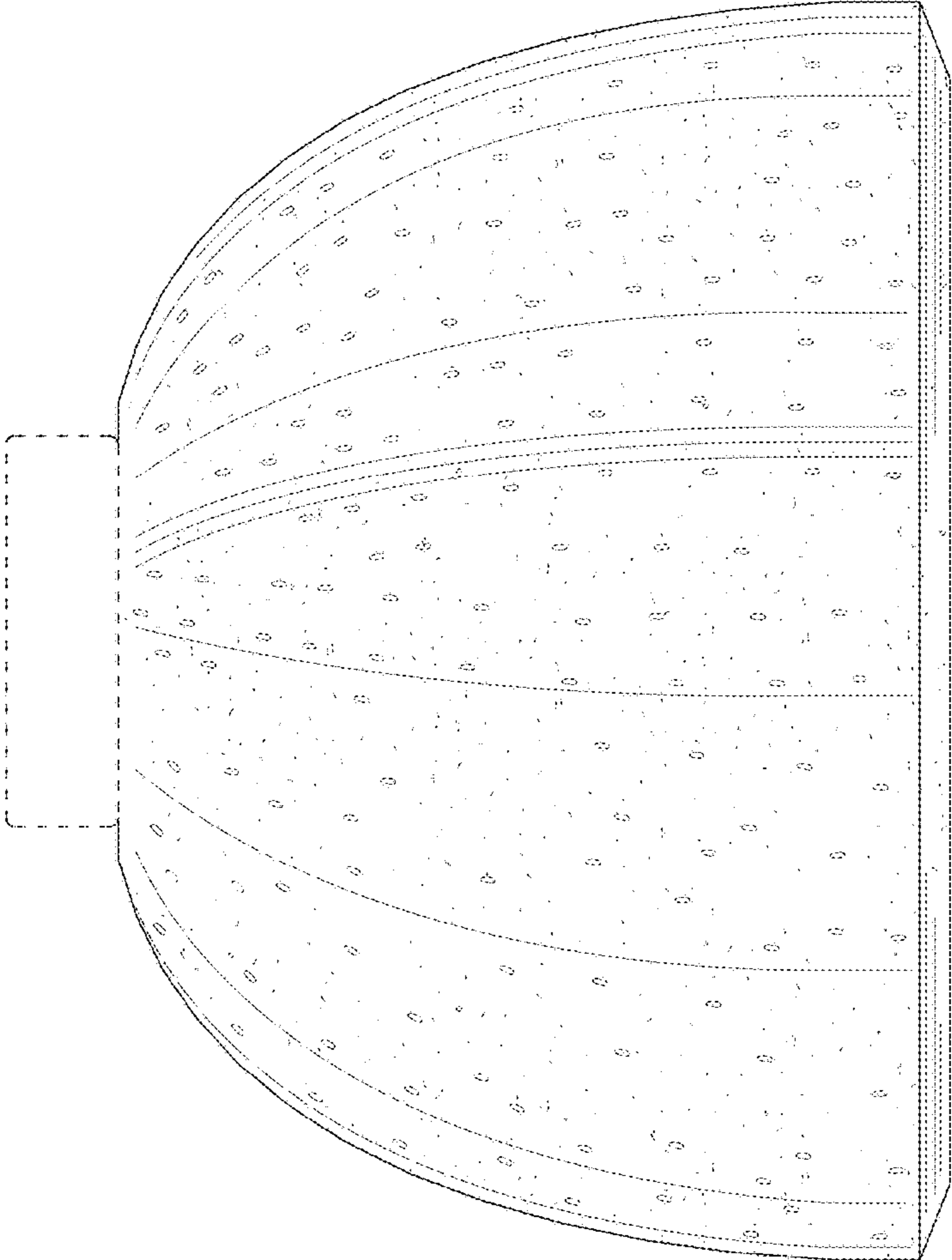


FIG. 5