



US00D852941S

(12) **United States Design Patent** (10) **Patent No.:** **US D852,941 S**
Wirth (45) **Date of Patent:** **** Jul. 2, 2019**

- (54) **AIR FLOW DEFLECTOR** 3,783,768 A * 1/1974 Caming F24F 13/1406
454/335
- (71) Applicant: **Wirth Research Limited**, Bicester 3,894,481 A * 7/1975 Alley F16K 1/165
Oxfordshire (GB) 454/318
- (72) Inventor: **Nicholas J. P. Wirth**, Northamptonshire 3,916,774 A * 11/1975 LaBrec E04H 17/14
(GB) 454/335
- (73) Assignee: **Wirth Research Limited**, Bicester 4,989,689 A * 2/1991 Berlin E04D 13/10
Oxfordshire (GB) 182/113
- (**) Term: **15 Years** D334,977 S * 4/1993 Avari D23/387
5,934,710 A * 8/1999 Le Foll F16L 21/04
285/331
6,070,368 A * 6/2000 Anderson E04D 13/10
52/24

(Continued)

(21) Appl. No.: **29/618,655**

(22) Filed: **Sep. 22, 2017**

(30) **Foreign Application Priority Data**

Mar. 22, 2017 (EM) 003816370

(51) **LOC (11) Cl.** **23-03**

(52) **U.S. Cl.**
USPC **D23/388**

(58) **Field of Classification Search**
USPC D23/386, 388, 392, 393, 397, 399, 400,
D23/406, 411, 412; D8/321
CPC . A61L 9/125; B60H 1/345; B60S 1/54; E04B
1/92; E04B 7/02; F24F 13/06; F24F
1/0011; F24F 1/027; F24F 13/02; F24F
13/10; F24F 13/1426; F24F 13/15; F24F
13/20; E04D 13/10; F04D 25/14; F16L
3/003

See application file for complete search history.

(56) **References Cited**

U.S. PATENT DOCUMENTS

- 1,230,363 A * 6/1917 Baird E04D 13/10
52/25
- 2,017,407 A * 10/1935 Carlson F24F 13/1426
49/343
- 3,683,786 A * 8/1972 Hedrick F24F 13/15
454/313

OTHER PUBLICATIONS

Air Wing Flex The Original Air Deflector, image post date Sep. 14, 2015, site visited May 25, 2018, (online), <https://www.amazon.com/dp/B00OOGHDGA/ref=sspa_dk_detail_0?psc=1&pd_rd_i=B00OOGHDGA&pf_rd_m=ATVPDKIKX0DER&pf_rd_p=1713835751726239774&>.

Primary Examiner — Kevin K Rudzinski
(74) *Attorney, Agent, or Firm* — Honigman LLP

(57) **CLAIM**

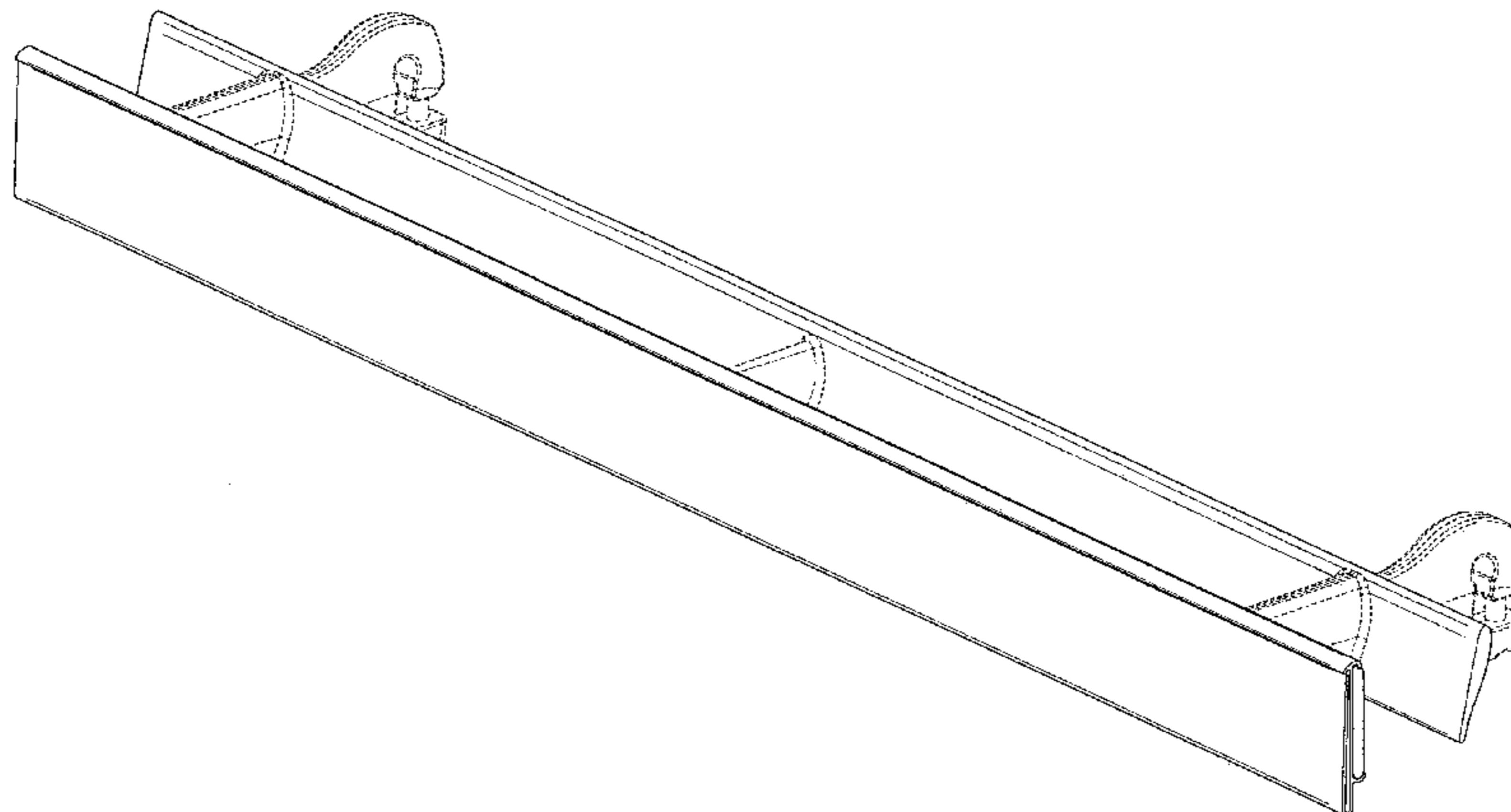
The ornamental design for an air flow deflector, as shown and described.

DESCRIPTION

FIG. 1 is a front/top/right side view of the airflow detector of the present invention;
FIG. 2 is a right side elevational view of the embodiment of FIG. 1, the left side elevational view being a mirror image thereof;
FIG. 3 is a top view of the embodiment of FIG. 1; and,
FIG. 4 is a front elevational view of the embodiment of FIG. 1.

The broken lines shown in the drawings illustrate portions of the air flow deflector that form no part of the claimed design.

1 Claim, 4 Drawing Sheets



US D852,941 S

Page 2

(56)

References Cited

U.S. PATENT DOCUMENTS

6,183,359	B1 *	2/2001	Klein	F24F 13/082	454/259
D446,850	S *	8/2001	Arlotta	D23/393	
D449,680	S *	10/2001	Arlotta	D23/393	
D450,518	S *	11/2001	Frederick	D6/630	
6,389,832	B1 *	5/2002	Wu	B01D 46/0005	62/201
D469,863	S *	2/2003	Kice	D23/386	
6,582,192	B2 *	6/2003	Tseng	F04D 19/002	415/211.1
D477,157	S *	7/2003	Rimback	D6/571	
D607,667	S *	1/2010	Cayouette	D6/675.1	
D622,521	S *	8/2010	Urquiola	D6/675.1	
D689,306	S *	9/2013	Fishman	D6/675.1	
D717,416	S *	11/2014	Wakabayashi	D23/332	
D743,517	S *	11/2015	Platt	D23/323	
D744,075	S *	11/2015	Hrydovyy	D23/343	
D754,832	S *	4/2016	Seo	D23/365	
9,452,820	B1 *	9/2016	Wirth	B64C 3/56	
D770,267	S *	11/2016	Roan	D8/395	
D773,021	S *	11/2016	Niki	D23/351	
D776,466	S *	1/2017	Bonuccelli	D6/675.1	
D786,198	S *	5/2017	Suenaga	D13/156	
D794,769	S *	8/2017	Baldwin	D23/387	
D796,657	S *	9/2017	Kusuki	D23/351	
9,772,113	B2 *	9/2017	Moore	F24F 13/32	
D814,013	S *	3/2018	Ingenlath	D23/393	
D816,205	S *	4/2018	Sizeland	D23/379	
2005/0042982	A1 *	2/2005	Okada	B60H 1/3421	454/284
2005/0176364	A1 *	8/2005	Gehring	B60H 1/3414	454/155
2006/0211362	A1 *	9/2006	Levy	F24F 13/06	454/186
2007/0101744	A1 *	5/2007	Yamashita	F24F 1/0007	62/298
2007/0111652	A1 *	5/2007	Klingler	B60H 1/345	454/155
2008/0138194	A1 *	6/2008	Wei	F04D 25/0613	415/121.2
2013/0086843	A1 *	4/2013	Baek	E06B 7/084	49/82.1
2014/0127011	A1 *	5/2014	Sun	F04D 25/14	415/213.1
2015/0374141	A1 *	12/2015	Wirth	A47F 3/0447	62/252
2016/0116184	A1 *	4/2016	Chappell	F24F 13/1406	454/335
2016/0216000	A1 *	7/2016	Monahan	F24F 13/1413	
2017/0097171	A1 *	4/2017	Cermak	F24F 13/15	
2017/0198939	A1 *	7/2017	Teeters	E06B 9/28	
2018/0023338	A1 *	1/2018	Werner	E04F 10/08	160/167 R
2018/0106484	A1 *	4/2018	Swanson	F24F 1/027	

* cited by examiner

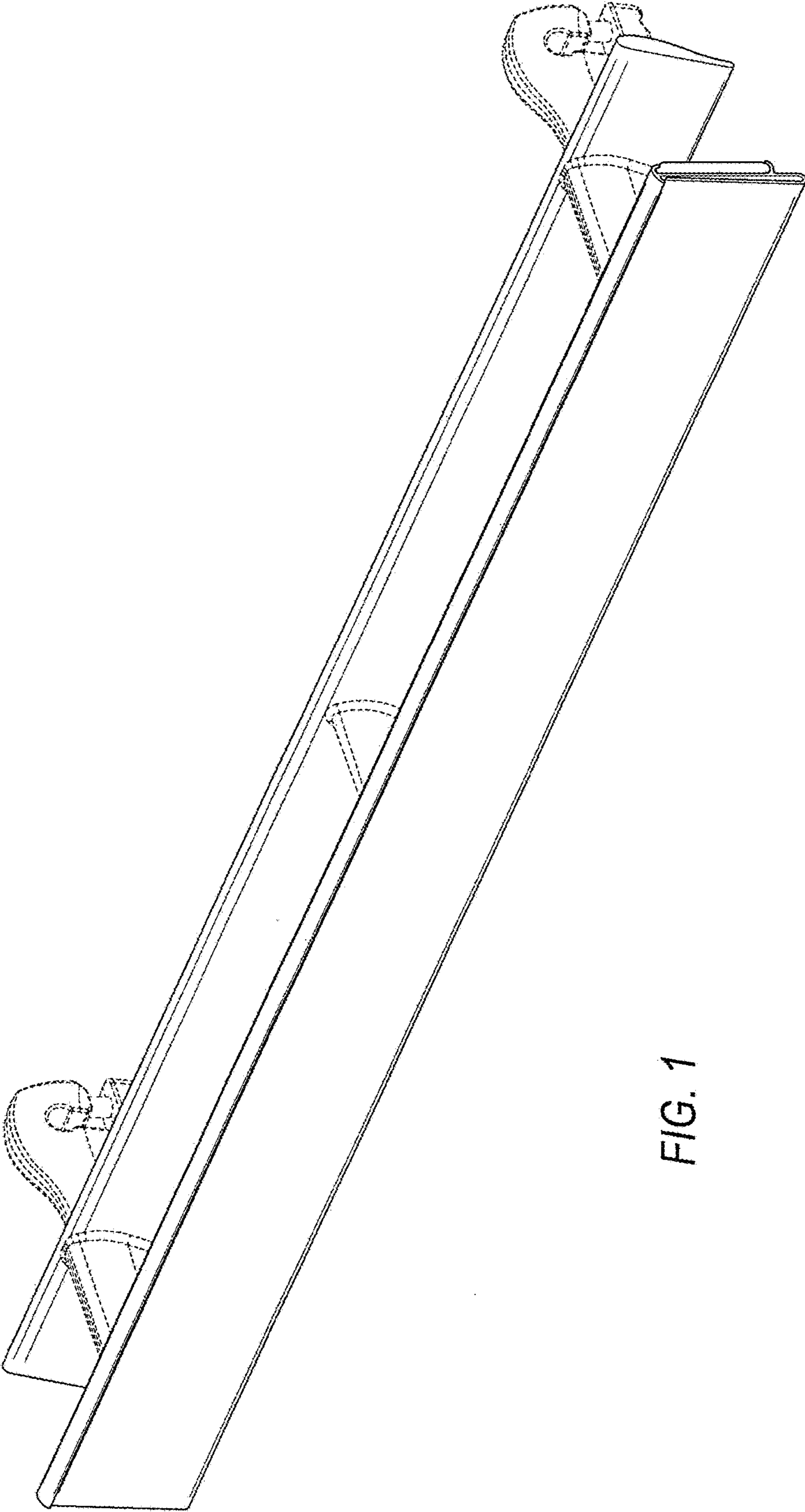


FIG. 1

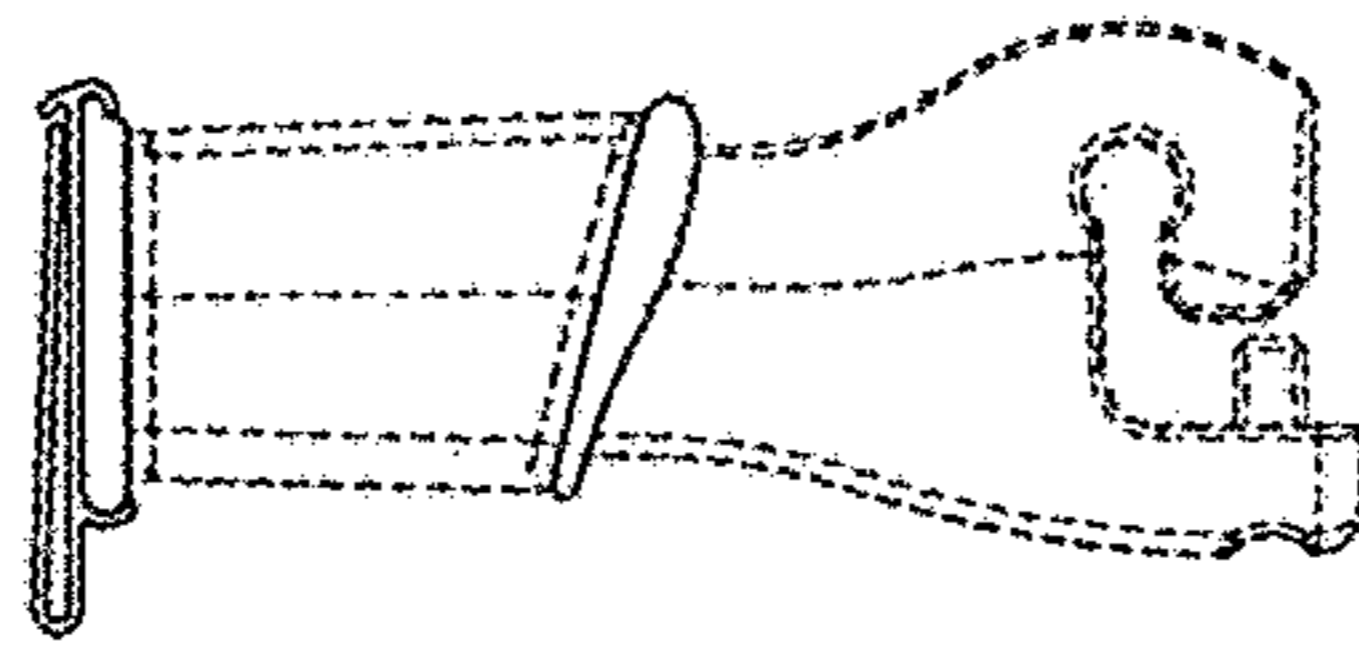


FIG. 2

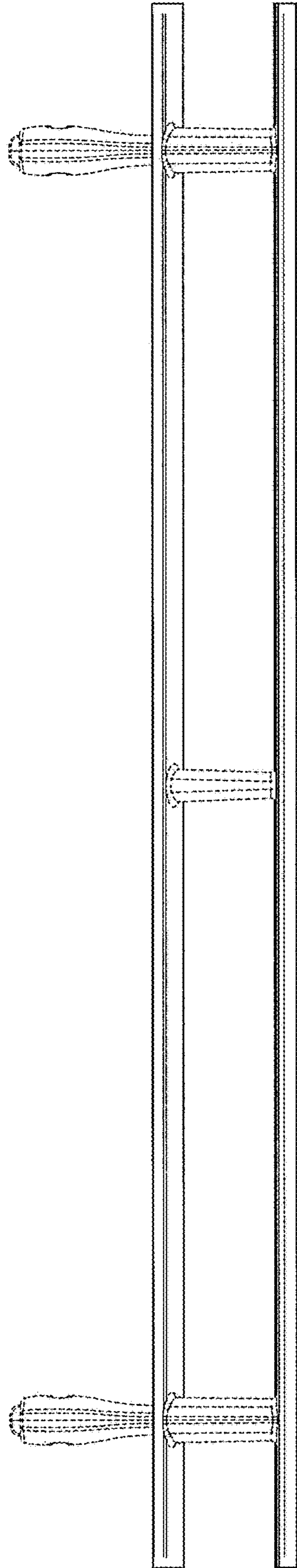


FIG. 3

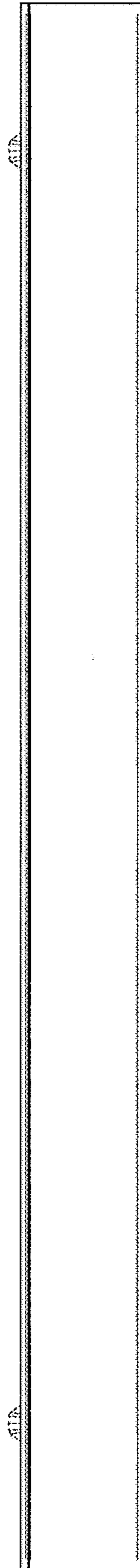


FIG. 4