



US00D852940S

(12) **United States Design Patent** (10) **Patent No.:** **US D852,940 S**  
**Cui** (45) **Date of Patent:** **\*\* Jul. 2, 2019**

- (54) **AIR MOVER** 5,265,895 A \* 11/1993 Barrett ..... A47L 5/22  
280/47.24
- (71) Applicant: **Foshan Naibao Electric Co., Ltd.,** 5,555,643 A \* 9/1996 Guasch ..... E04B 1/7092  
Xiqiao Town (CN) 15/405
- (72) Inventor: **Jiayao Cui, Guangdong (CN)** D517,677 S \* 3/2006 Bartholmey ..... D23/383  
D530,002 S \* 10/2006 Ching ..... D23/317  
D596,283 S \* 7/2009 Martinez ..... D23/383
- (73) Assignee: **Foshan Naibao Electric Co., Ltd.** D698,433 S \* 1/2014 Tomasiak ..... D23/383  
(CN) D704,908 S \* 5/2014 Cui ..... D23/383  
D810,269 S \* 2/2018 Sanders ..... D23/383  
D835,254 S \* 12/2018 Sanders ..... D23/411  
D837,964 S \* 1/2019 Cui ..... D23/383
- (\*\*) Term: **15 Years** 2016/0175472 A1\* 6/2016 Tan ..... A61L 9/122  
422/4
- (21) Appl. No.: **29/670,189**
- (22) Filed: **Nov. 14, 2018**

\* cited by examiner

*Primary Examiner* — Janice Hallmark  
(74) *Attorney, Agent, or Firm* — Lerner, David,  
Littenberg, Krumholz & Mentlik, LLP

**Related U.S. Application Data**

- (63) Continuation of application No. 29/562,575, filed on  
Apr. 27, 2016, now Pat. No. Des. 837,964.

**Foreign Application Priority Data**

- (30) Jan. 18, 2016 (CN) ..... 2016 3 0016972

- (51) **LOC (11) Cl.** ..... **23-04**

- (52) **U.S. Cl.**  
USPC ..... **D23/383**

- (58) **Field of Classification Search**  
USPC ..... D23/370–383, 411–414, 364, 365;  
D32/15  
CPC ..... A61L 9/12; A61L 9/04; A61L 9/122  
See application file for complete search history.

**References Cited**

**U.S. PATENT DOCUMENTS**

- 5,174,048 A \* 12/1992 Shero ..... F26B 21/001  
34/444
- D340,326 S \* 10/1993 Genovese ..... D32/15

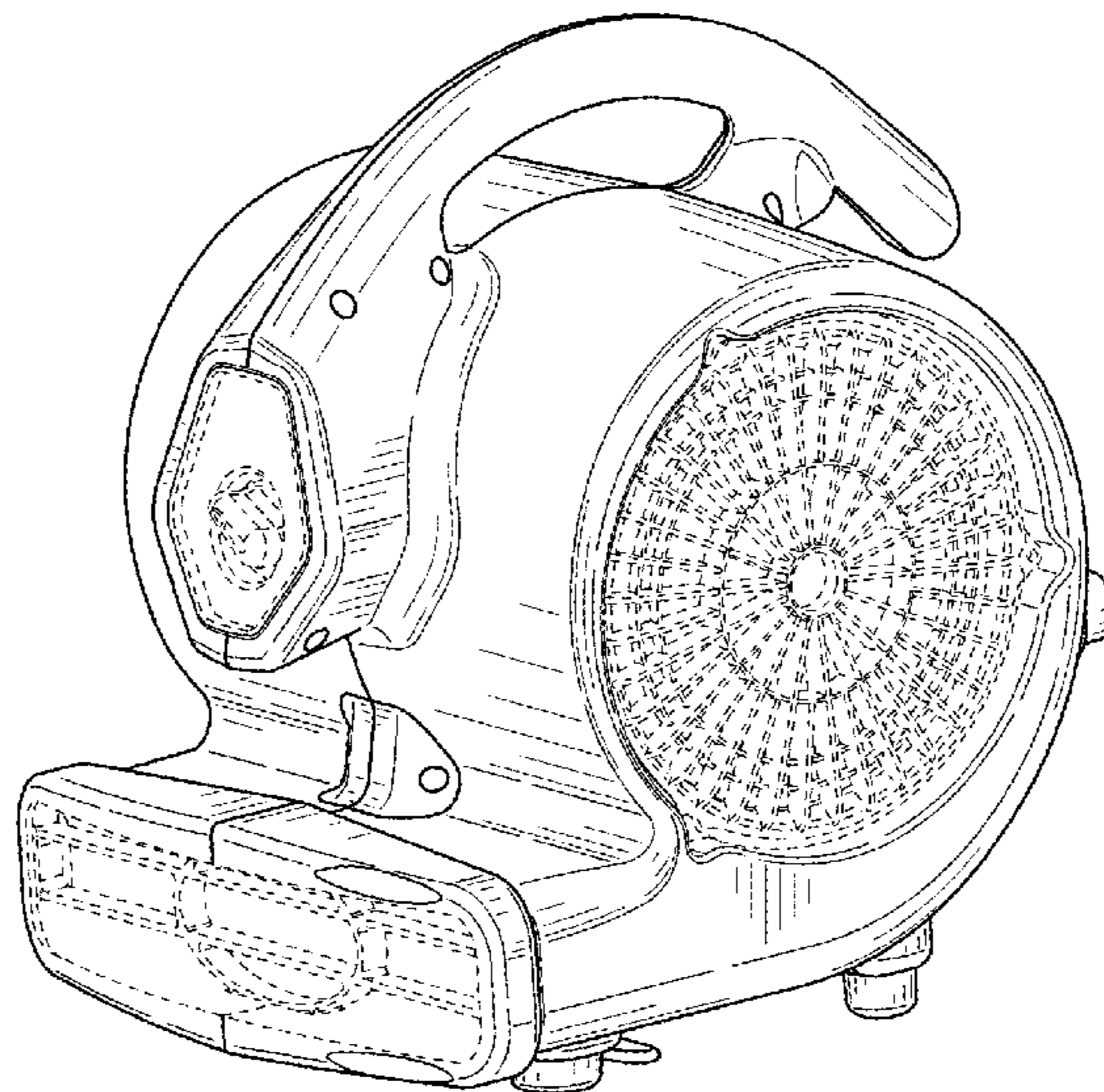
(57) **CLAIM**

The ornamental design for an air mover, as shown and described.

**DESCRIPTION**

FIG. 1 is a front perspective view of an air mover, showing my new design;  
FIG. 2 is a front view thereof;  
FIG. 3 is a back view thereof;  
FIG. 4 is a right-side view thereof;  
FIG. 5 is a left-side view thereof;  
FIG. 6 is a top view thereof; and,  
FIG. 7 is a bottom view thereof.  
The broken lines shown in the drawings represent portions of the air mover that form no part of the claimed design.

**1 Claim, 4 Drawing Sheets**



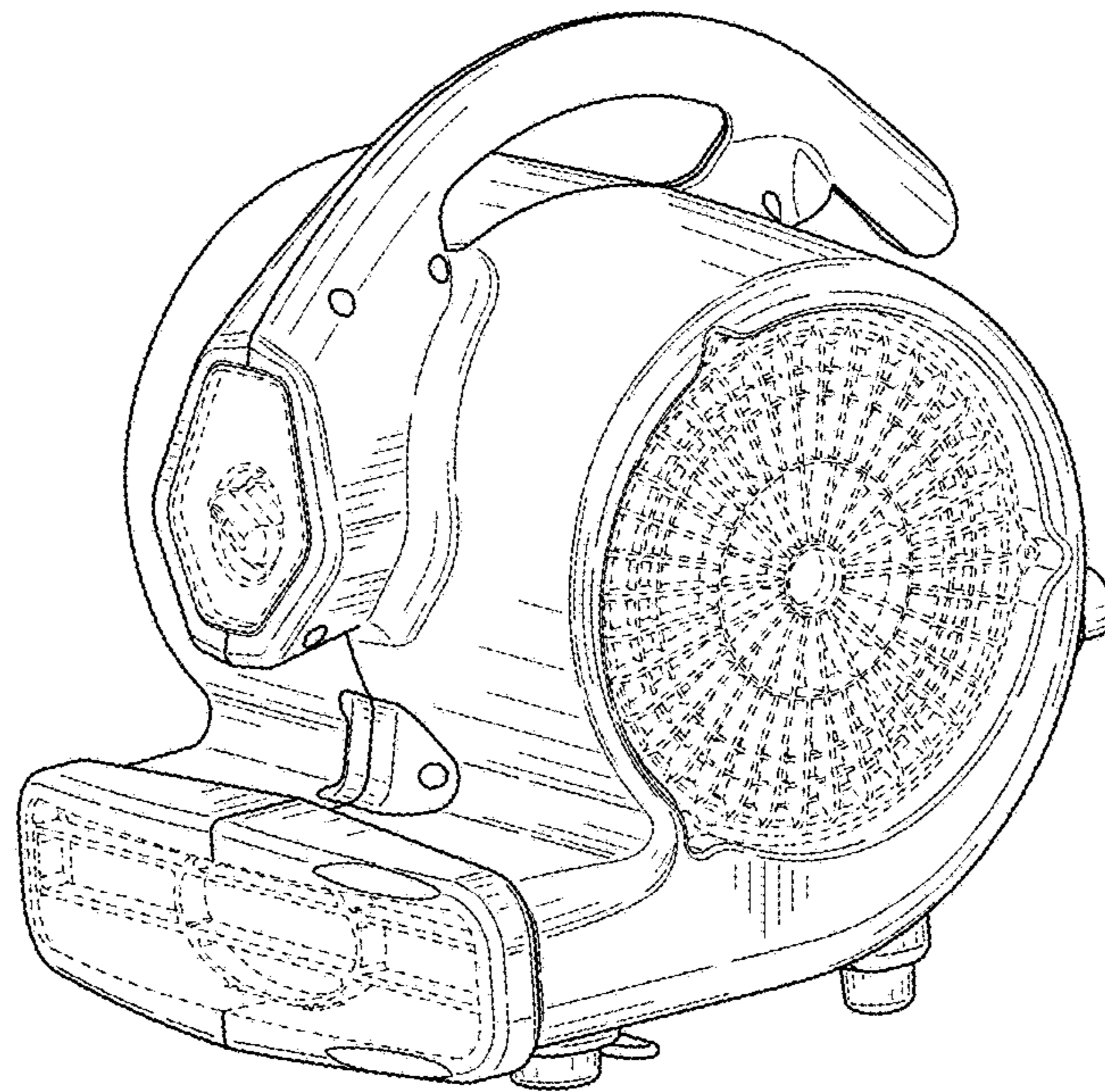


FIG. 1

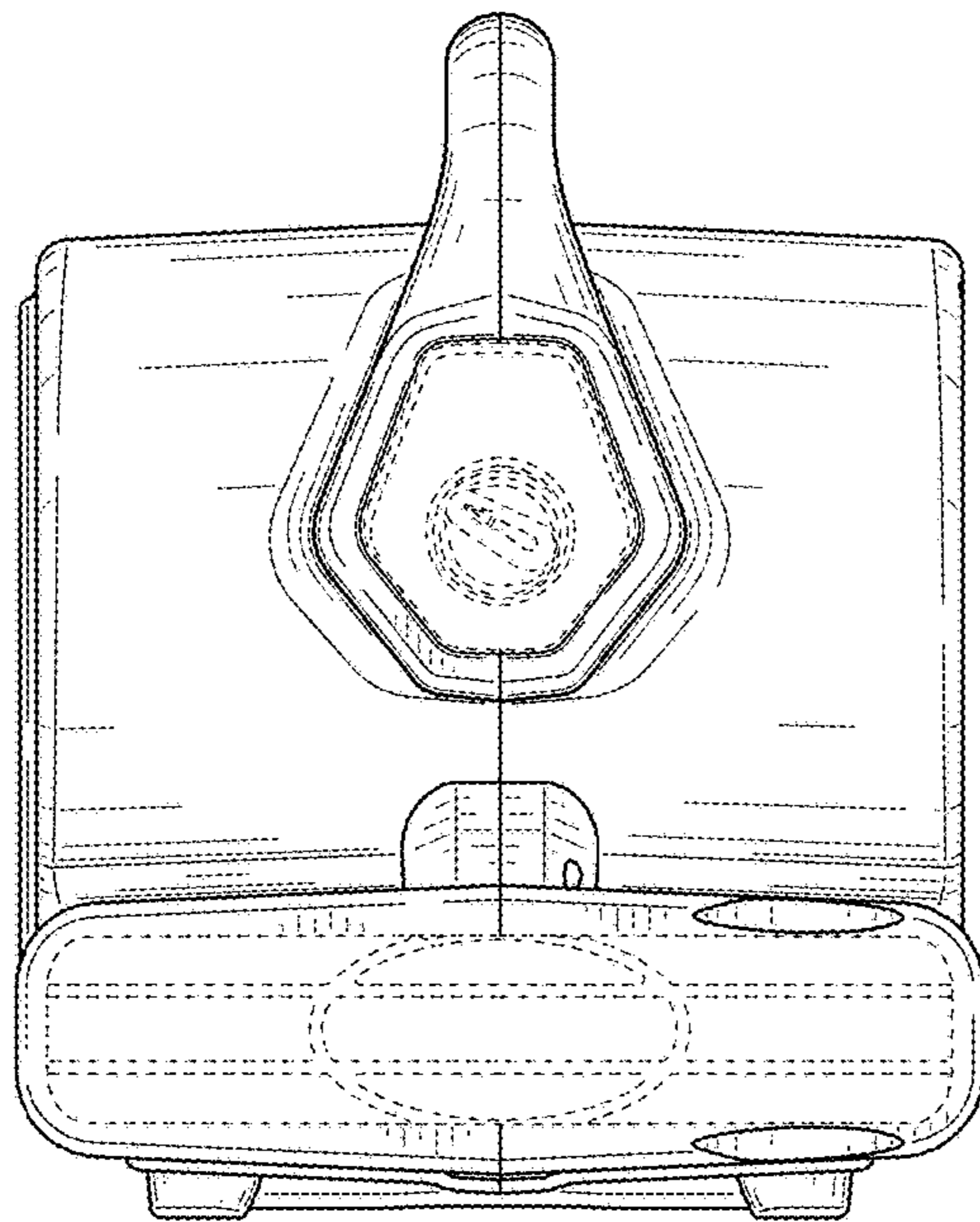


FIG. 2

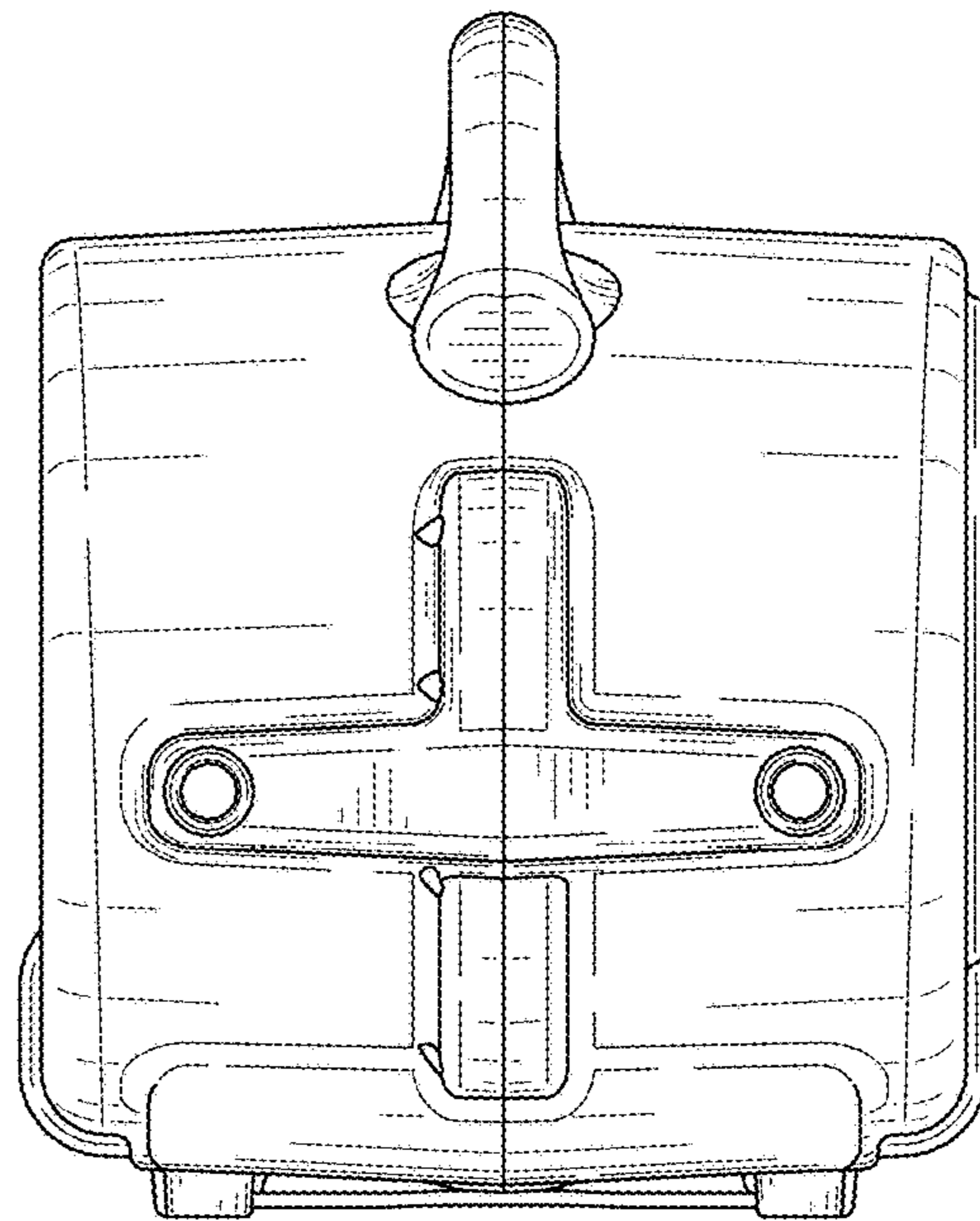


FIG. 3

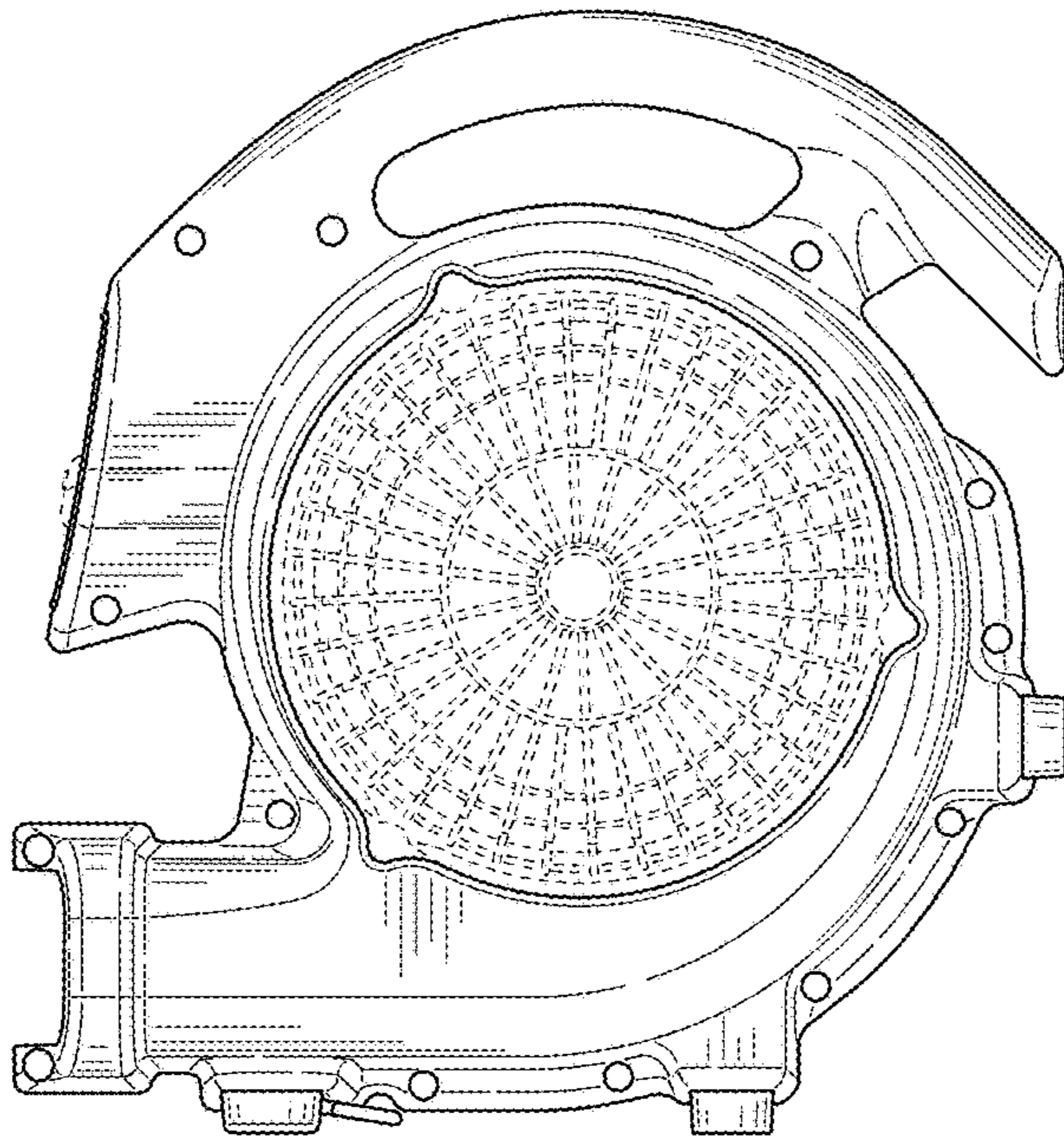


FIG. 4

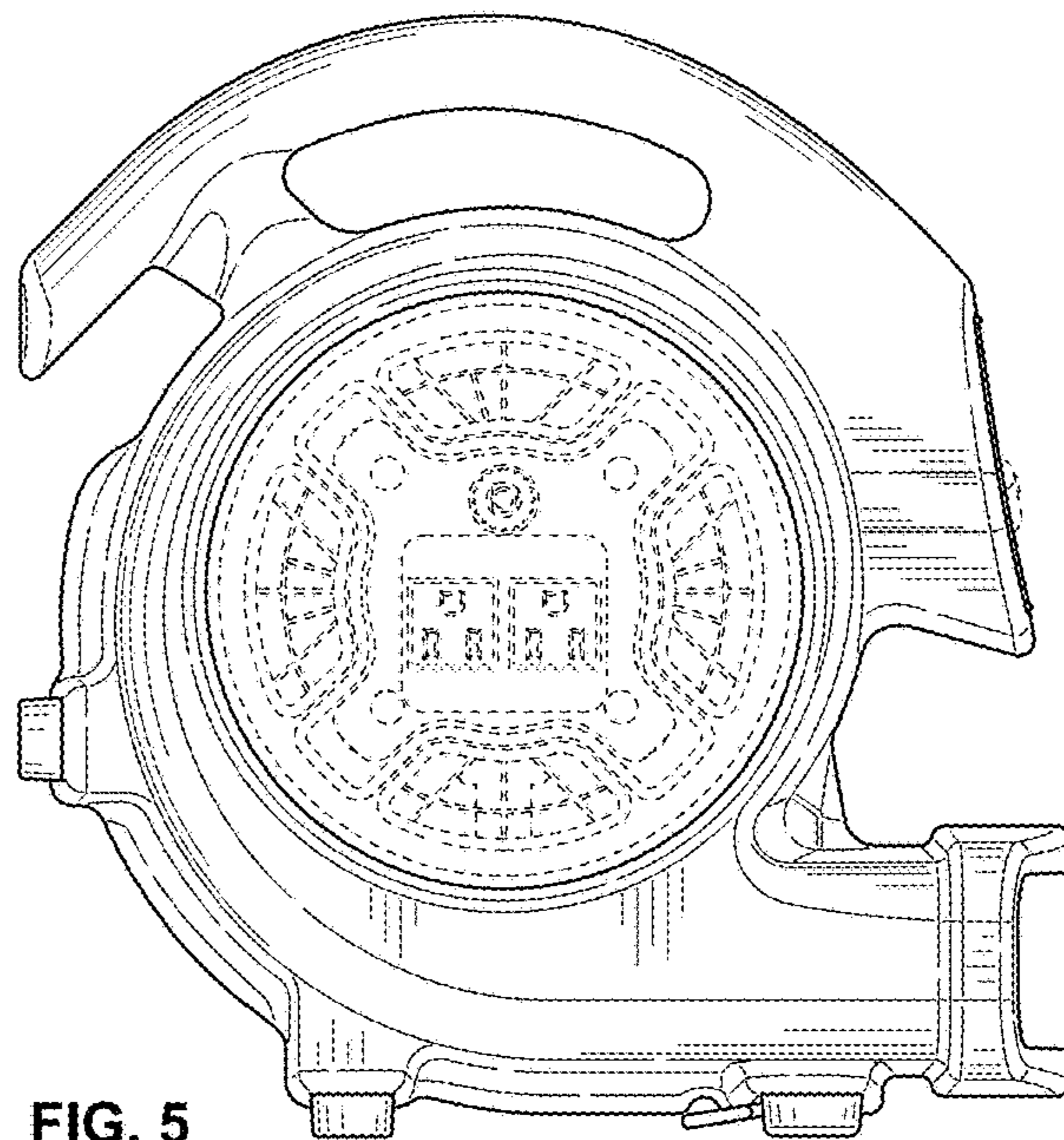


FIG. 5

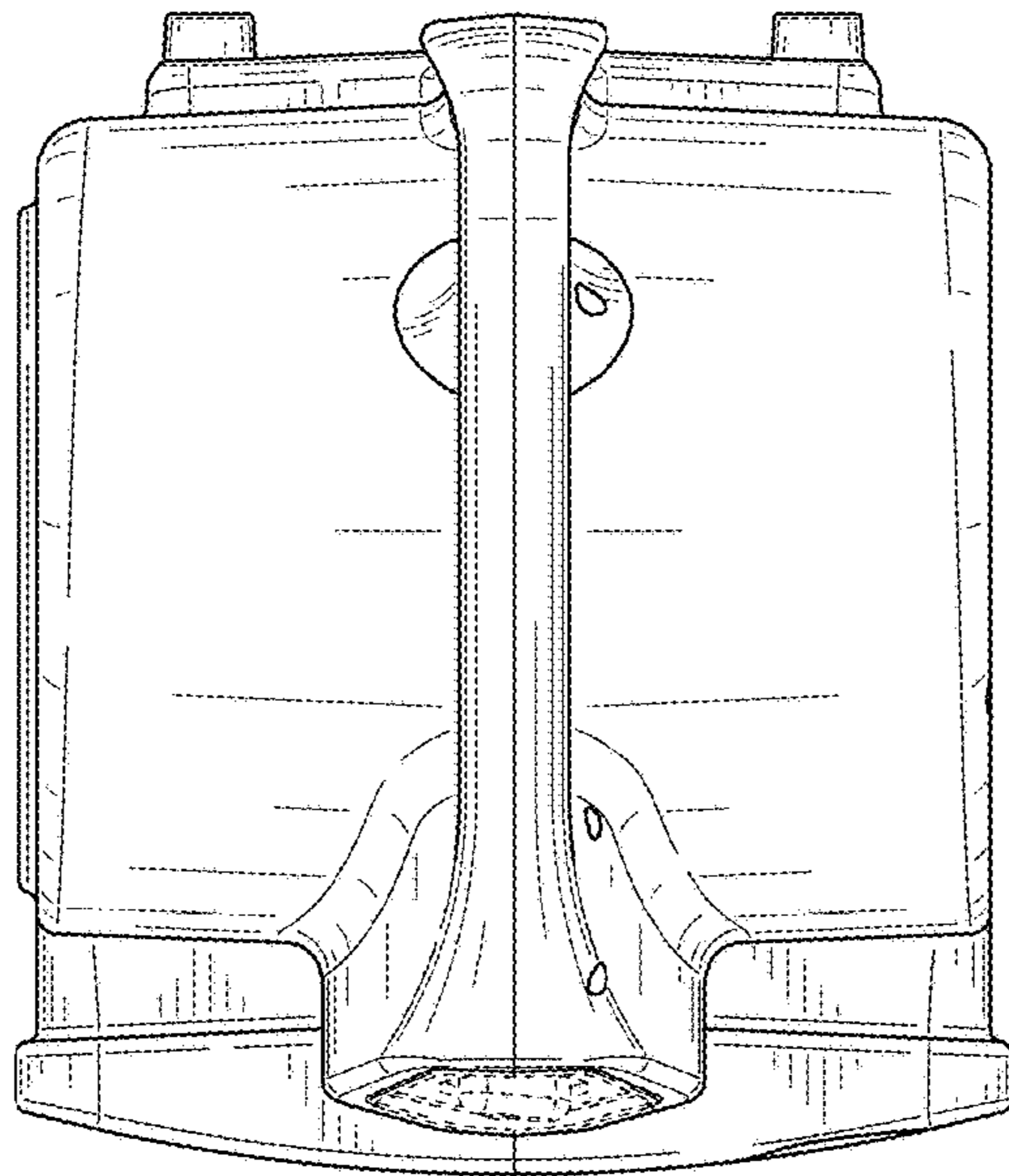


FIG. 6

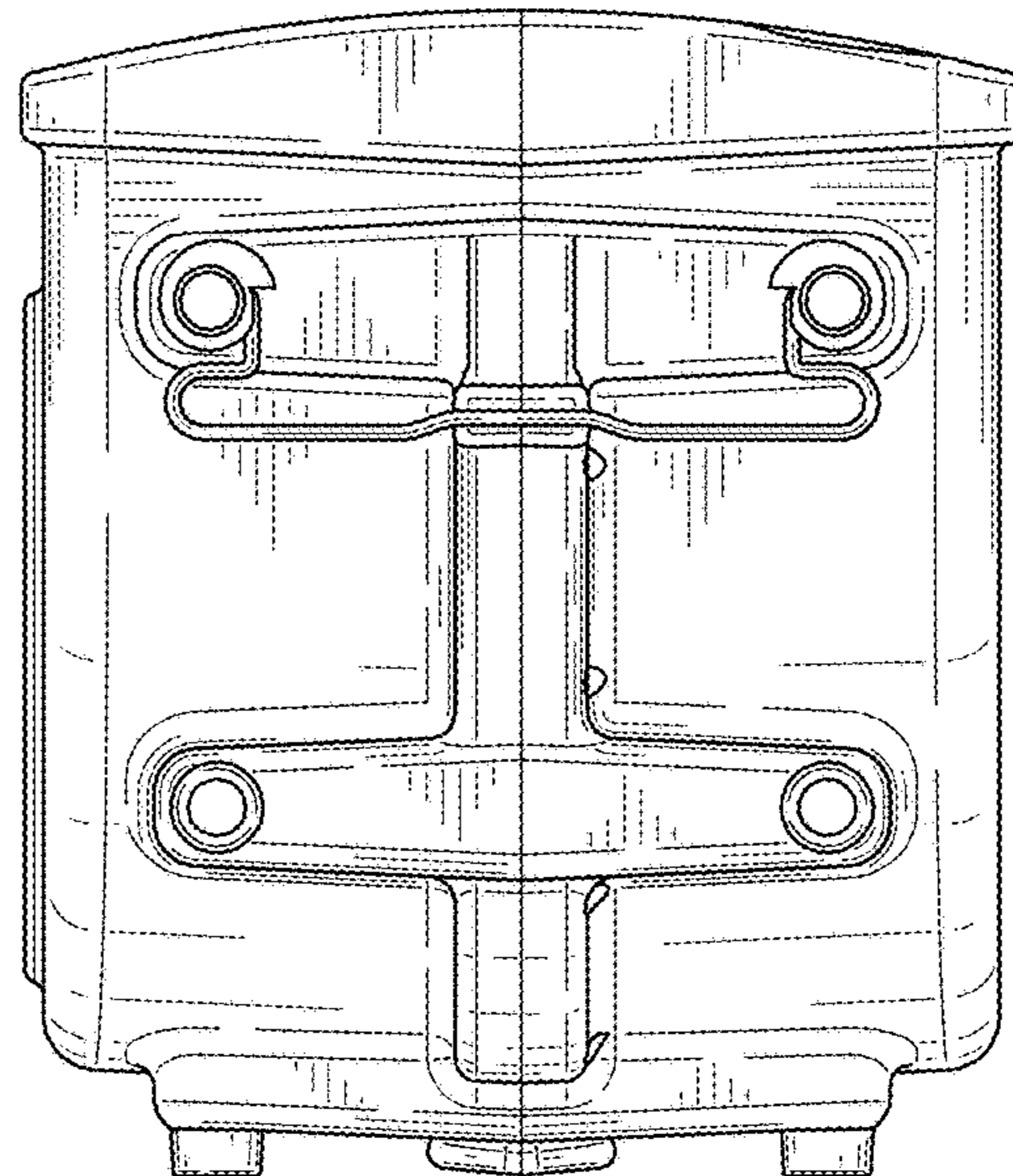


FIG. 7