



US00D852934S

(12) **United States Design Patent**
Habres

(10) **Patent No.:** **US D852,934 S**

(45) **Date of Patent:** **** Jul. 2, 2019**

(54) **WELDED WYE CONNECTOR**

(71) Applicant: **Custom Alloy Corporation**, High Bridge, NJ (US)

(72) Inventor: **Joseph Habres**, High Bridge, NJ (US)

(73) Assignee: **CUSTOM ALLOY CORPORATION**, High Bridge, NJ (US)

(**) Term: **15 Years**

(21) Appl. No.: **29/597,248**

(22) Filed: **Mar. 15, 2017**

(51) **LOC (11) Cl.** **23-01**

(52) **U.S. Cl.**
USPC **D23/259**

(58) **Field of Classification Search**
USPC D23/259, 262, 263–266, 268; D13/133;
285/125.1, 131.1, 132.1
CPC F16L 41/023; F16L 41/021; F16L 47/02;
F16L 47/26; F16L 47/32
See application file for complete search history.

(56) **References Cited**

U.S. PATENT DOCUMENTS

463,281 A * 11/1891 Libbey E01F 5/005
138/157
D22,865 S * 10/1893 Pierce D23/248
794,165 A * 7/1905 Dozier et al. F16L 41/023
285/126.1

D347,271 S * 5/1994 Inda D23/263
D435,637 S * 12/2000 Wales D23/263
D722,140 S * 2/2015 Sisk D23/262
D755,354 S * 5/2016 Coronado D23/262
D770,599 S * 11/2016 Daughters D23/259
D776,797 S * 1/2017 Bednarz D23/263
9,897,244 B1 * 2/2018 Duvall F16L 57/00
2008/0001394 A1 * 1/2008 Ziu F16L 47/03
285/21.2
2016/0363248 A1 * 12/2016 Daughters E03C 1/182
2017/0363243 A1 * 12/2017 Morrow F16L 47/32

* cited by examiner

Primary Examiner — Eric L Goodman

Assistant Examiner — Amy C Wierenga

(74) *Attorney, Agent, or Firm* — Norris McLaughlin PA

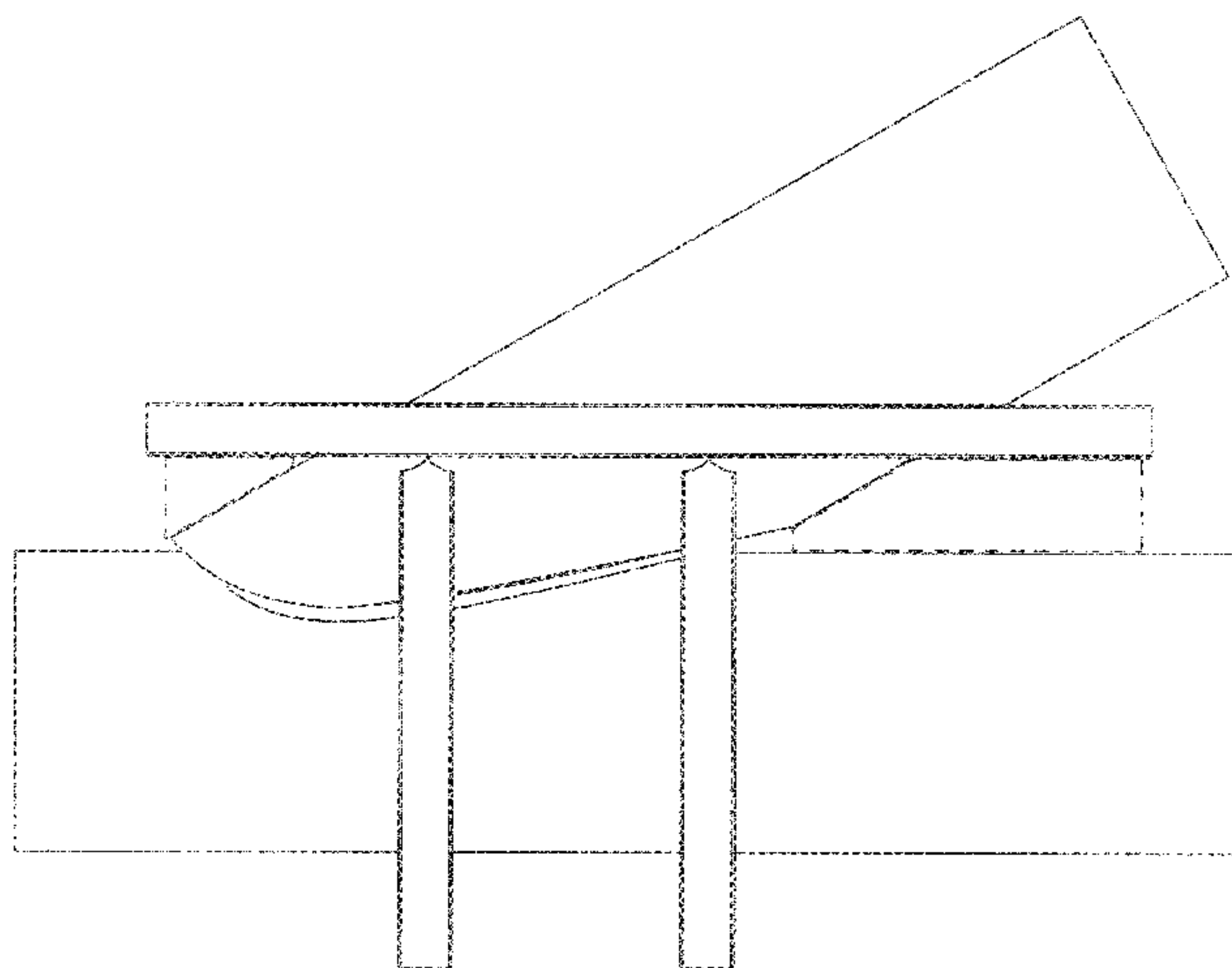
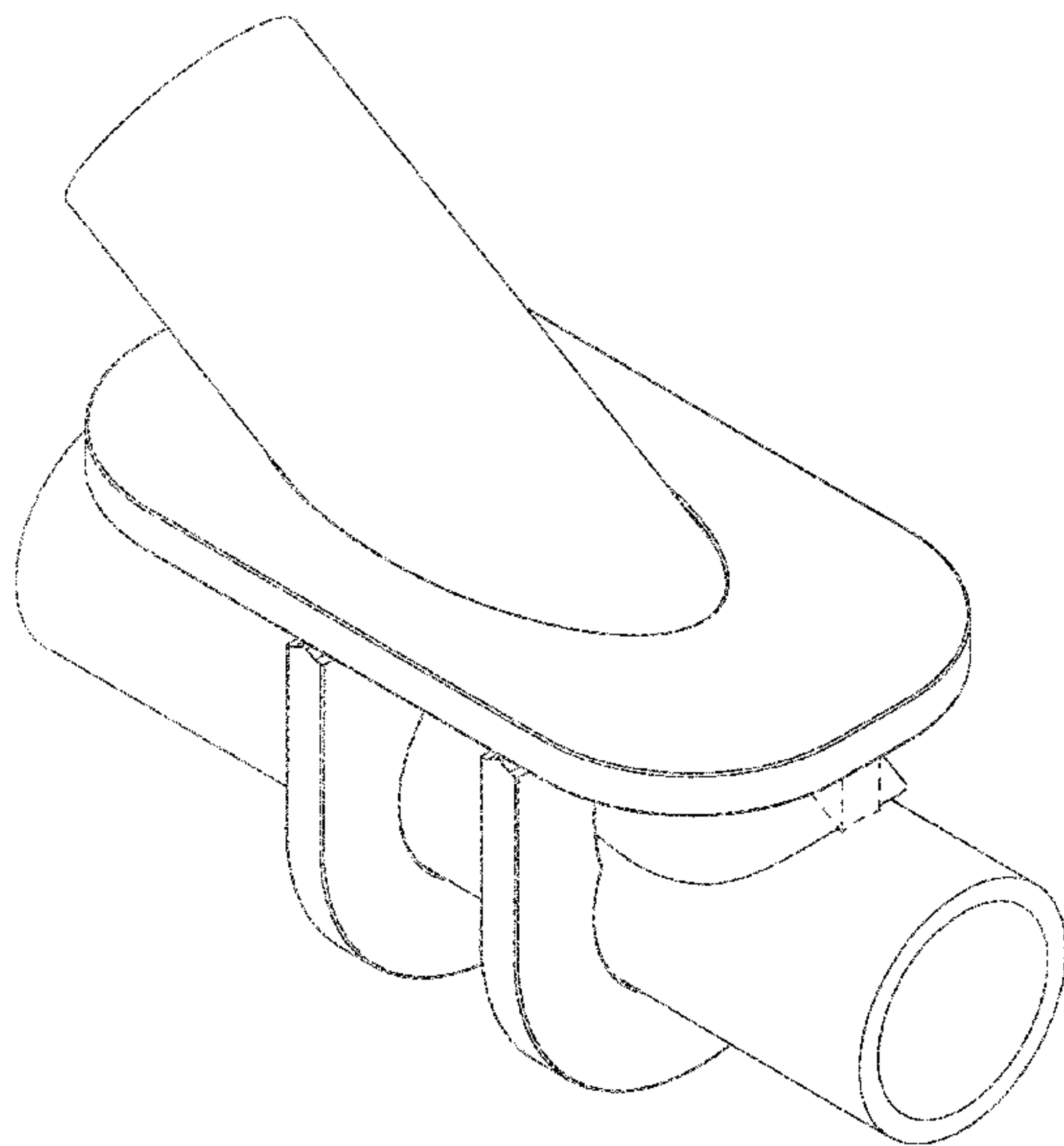
(57) **CLAIM**

The ornamental design for a welded wye connector, as shown and described.

DESCRIPTION

FIG. 1 is a frontal perspective view of a welded wye connector;
FIG. 2 is a first side elevational view thereof;
FIG. 3 is second side elevational view thereof;
FIG. 4 is a front elevational view thereof;
FIG. 5 is a rear elevational view thereof;
FIG. 6 is a top plan view thereof; and,
FIG. 7 is a bottom plan view thereof.
The broken lines shown in the drawings depict portions of the welded wye connector that form no part of the claim.

1 Claim, 6 Drawing Sheets



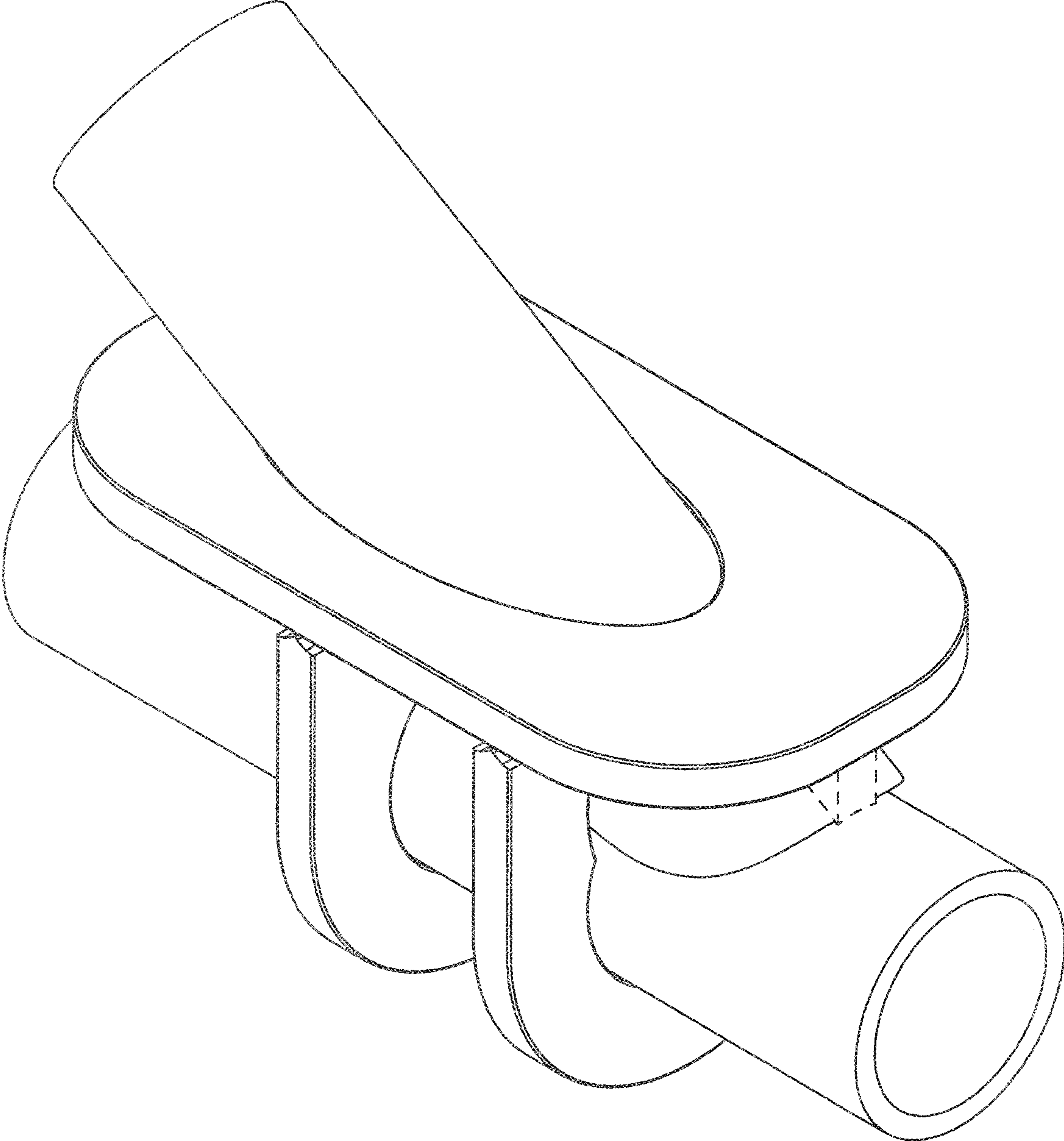


Fig. 1

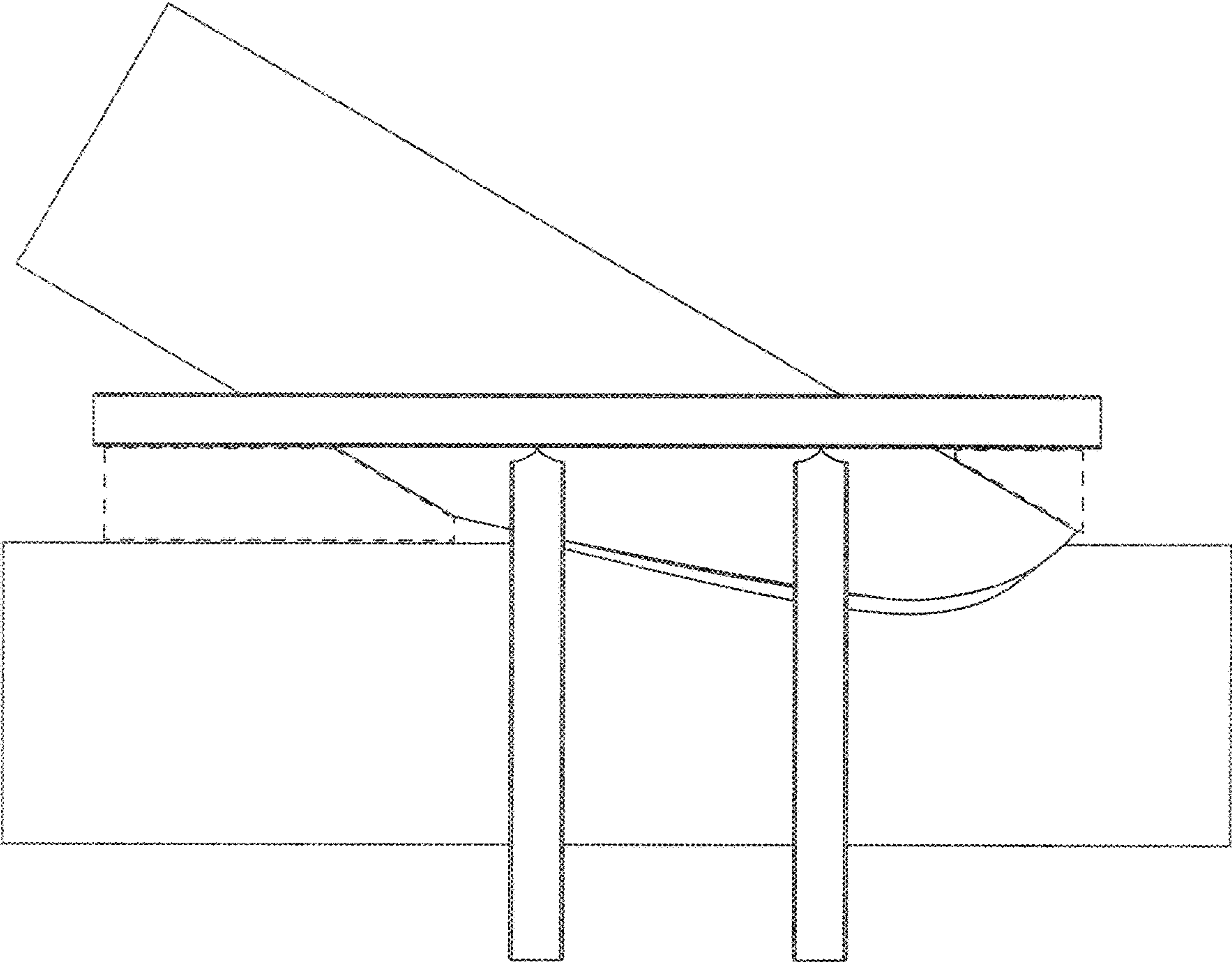


Fig. 2

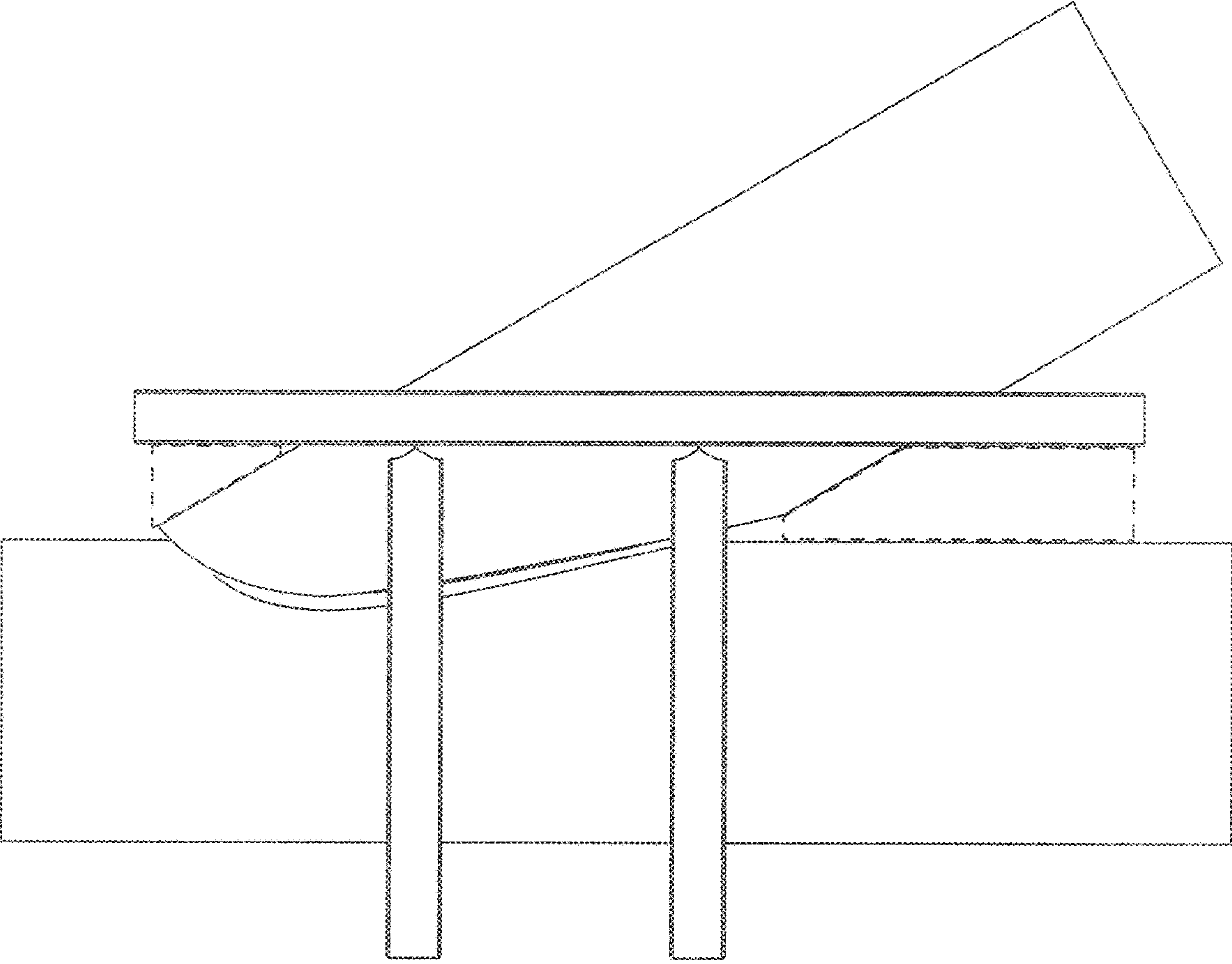


Fig. 3

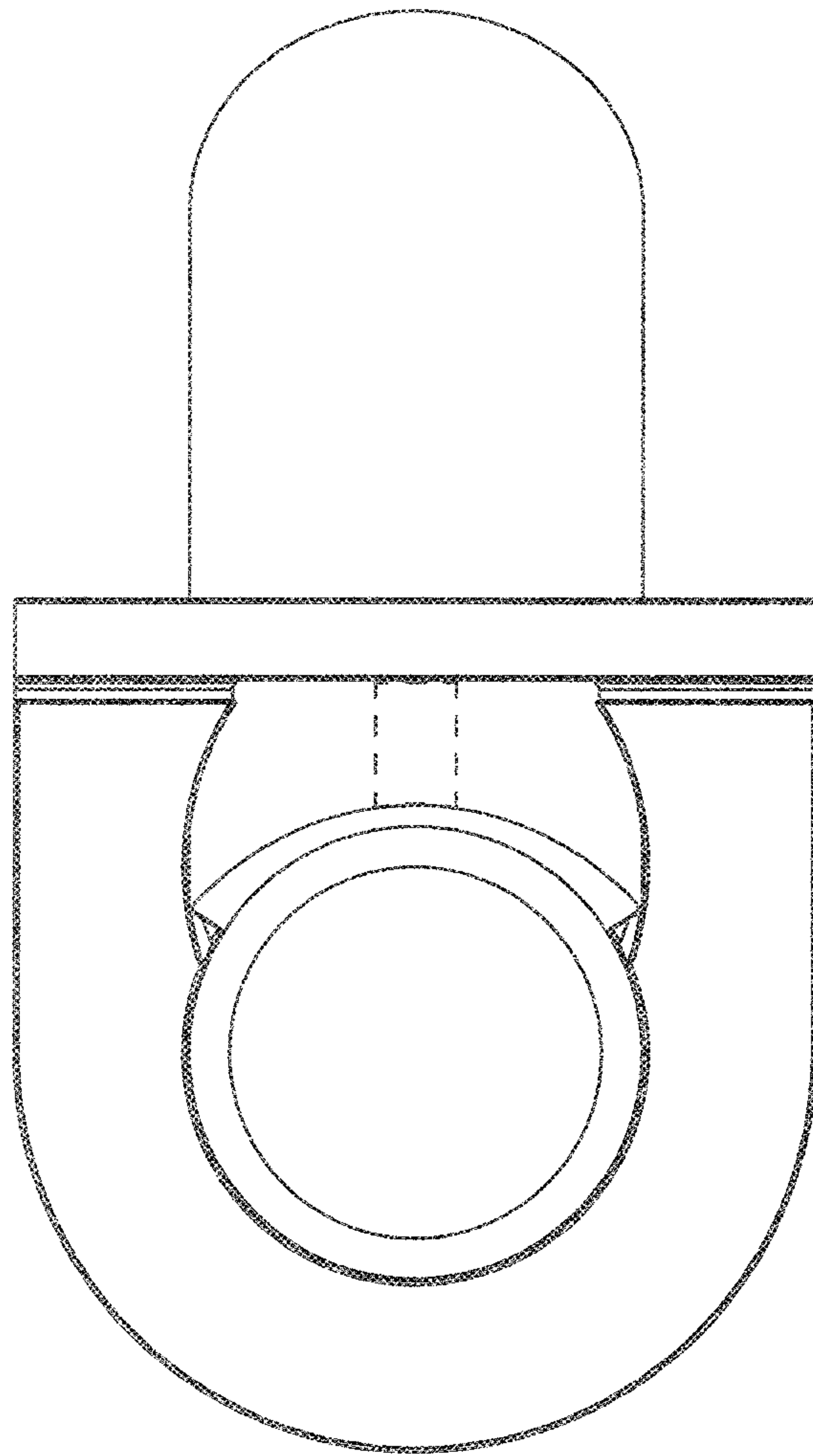


Fig. 4

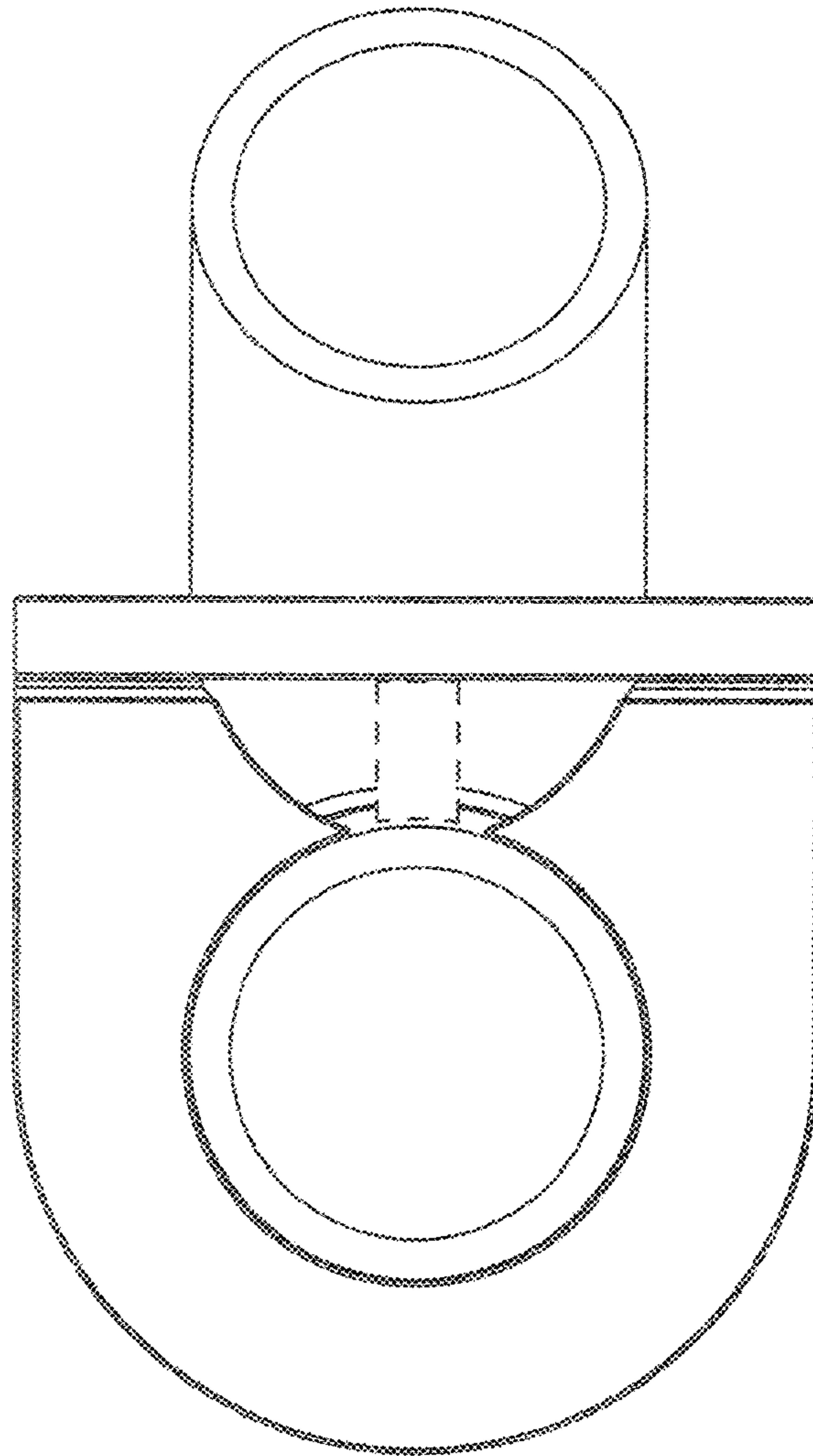


Fig. 5

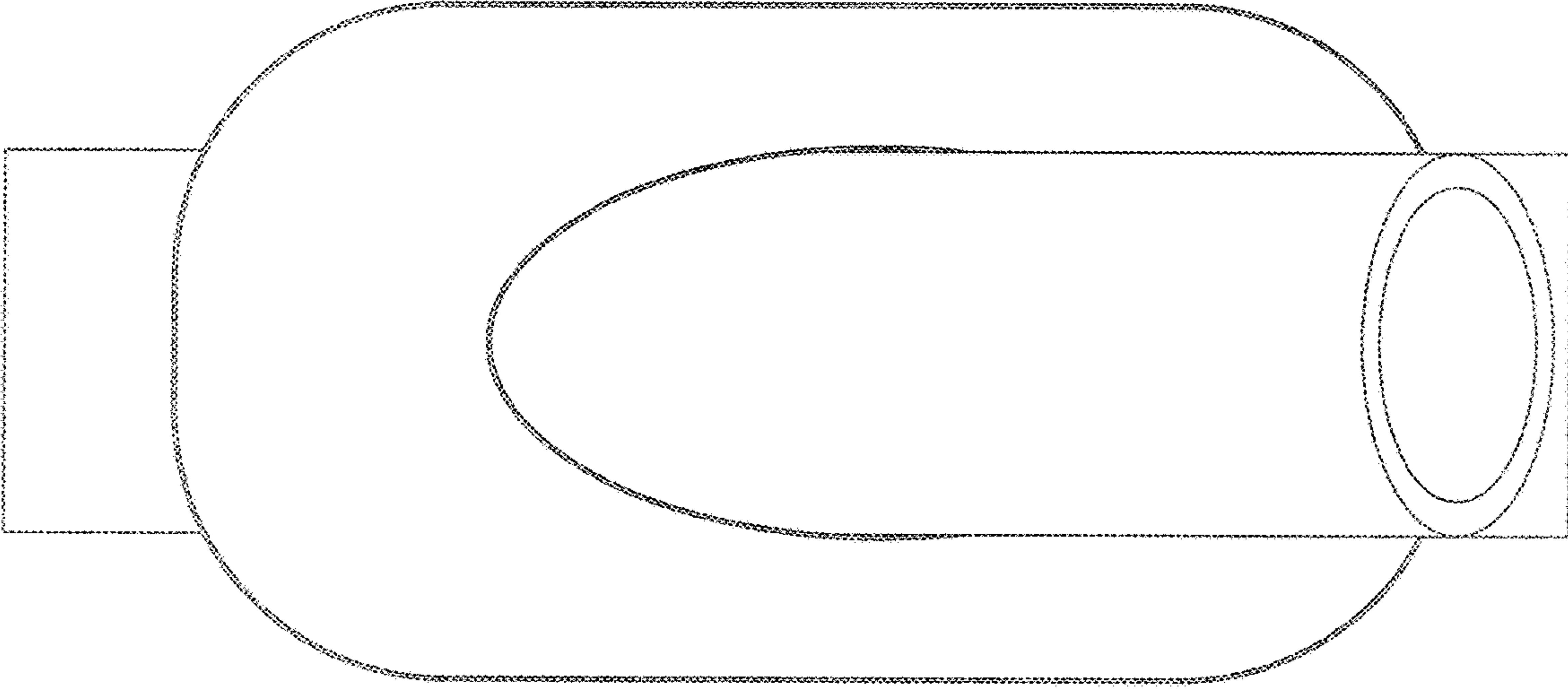


Fig. 6

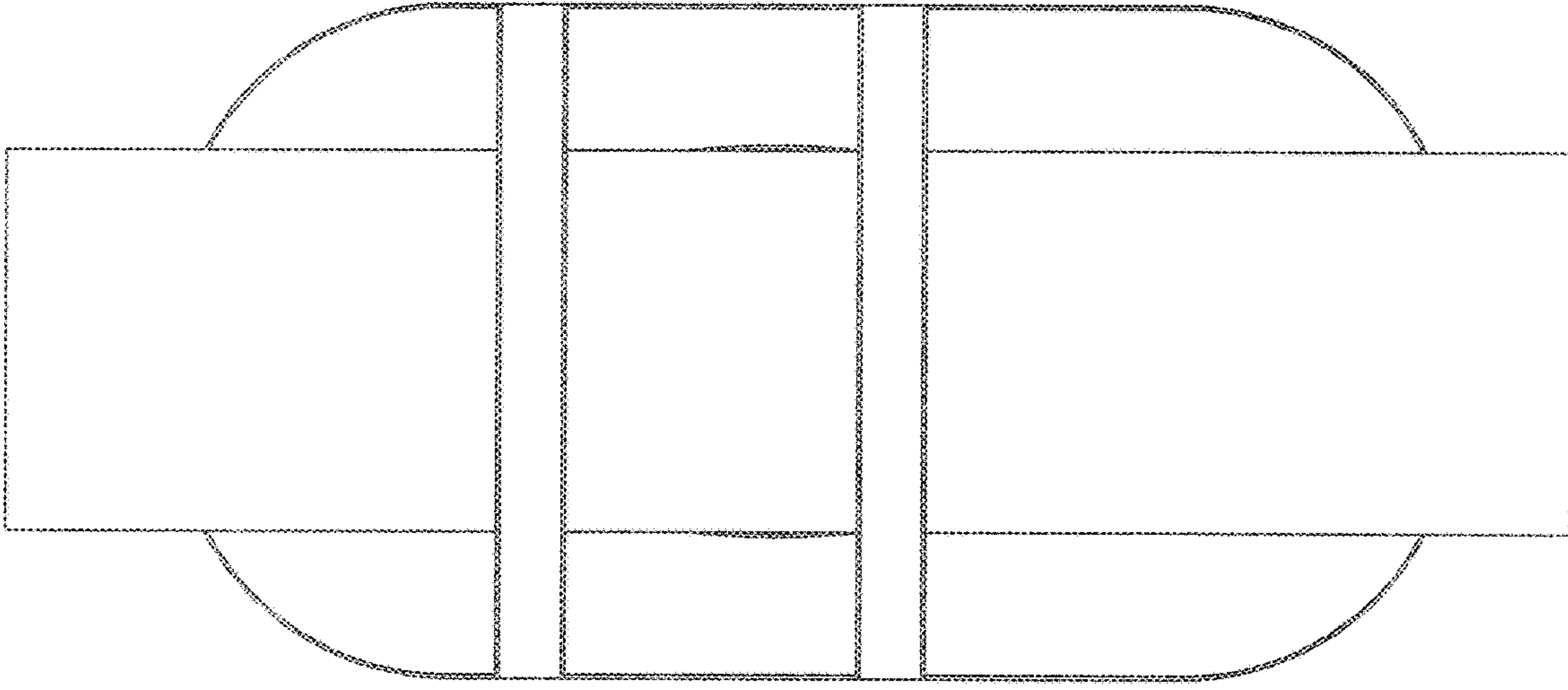


Fig. 7