



US00D852932S

(12) **United States Design Patent** (10) **Patent No.:** **US D852,932 S**  
**Childress et al.** (45) **Date of Patent:** **\*\* Jul. 2, 2019**

(54) **DOME-TOP HYDRANT**  
(71) Applicant: **Mueller International, LLC**, Atlanta, GA (US)  
(72) Inventors: **Justin Blaine Childress**, Albertville, AL (US); **Christopher Joseph Duckett**, Albertville, AL (US); **Alan Channell**, Albertville, AL (US); **Ajay K. Roy**, Oxford, AL (US)  
(73) Assignee: **Mueller International, LLC**, Atlanta, GA (US)  
(\*\*) Term: **15 Years**  
(21) Appl. No.: **29/656,523**  
(22) Filed: **Jul. 13, 2018**  
(51) **LOC (11) Cl.** ..... **23-01**  
(52) **U.S. Cl.**  
USPC ..... **D23/234**  
(58) **Field of Classification Search**  
USPC ..... D23/234, 215, 256; 137/272, 274, 283, 137/527, 527.2, 527.4, 527.6, 527.8; 251/142, 144-148, 149.1-149.9; 285/143.1; D34/4  
CPC . E03B 9/02; E03B 9/04; F16K 27/006; A62C 35/20  
See application file for complete search history.

5,383,495 A 1/1995 Kennedy  
5,722,450 A 3/1998 Julicher  
5,727,590 A 3/1998 Julicher et al.  
6,733,045 B2 \* 5/2004 Harrington ..... F16L 37/252 285/143.1  
6,802,338 B1 10/2004 Istre, Jr.  
(Continued)

**FOREIGN PATENT DOCUMENTS**

CA 2799961 12/2011  
CA 2929888 5/2015  
WO 2007085250 8/2007

**OTHER PUBLICATIONS**

Clow Valve Co.; Product Brochure for “Wet Barrel Fire Hydrants”, publicly available prior to Jan. 3, 2018, 2 pgs.  
(Continued)

*Primary Examiner* — Cynthia Ramirez  
*Assistant Examiner* — Gino Colan  
(74) *Attorney, Agent, or Firm* — Taylor English Duma LLP

(57) **CLAIM**

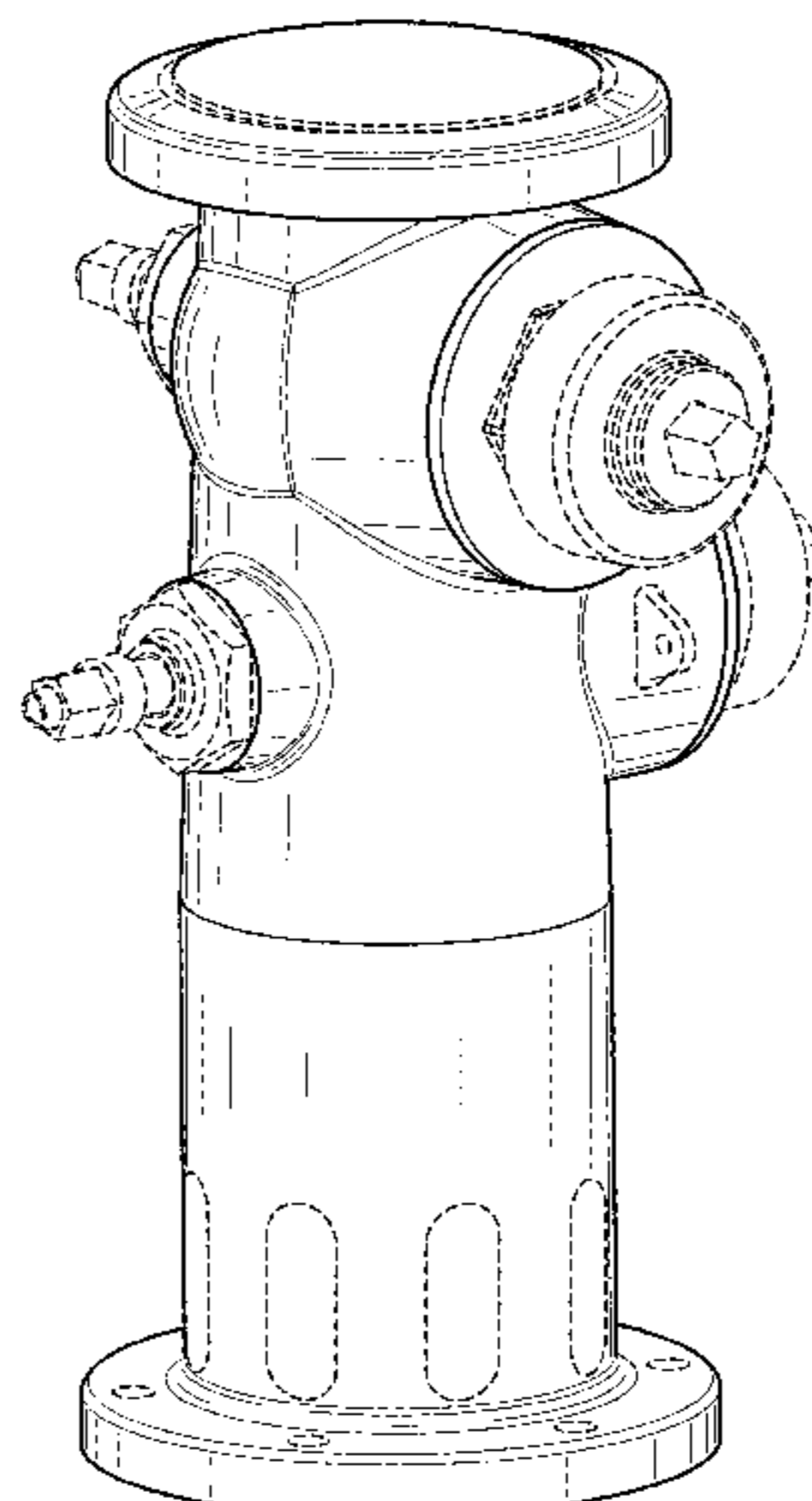
We claim the ornamental design for a dome-top hydrant, as shown and described.

**DESCRIPTION**

FIG. 1 is a perspective view of a dome-top hydrant showing our new design.  
FIG. 2 is a left-side elevation view thereof.  
FIG. 3 is a right-side elevation view thereof.  
FIG. 4 is a front elevation view thereof.  
FIG. 5 is a rear elevation view thereof.  
FIG. 6 is a top plan view thereof; and,  
FIG. 7 is a bottom plan view thereof.  
The broken lines shown in the figures are for the purpose of illustrating portions of the dome-top hydrant and form no part of the claimed design.

**1 Claim, 7 Drawing Sheets**

(56) **References Cited**  
U.S. PATENT DOCUMENTS  
1,553,953 A 9/1925 O'Brien  
2,200,770 A 5/1940 McCombs Burdick  
D190,986 S \* 7/1961 Watkins ..... D23/234  
4,083,377 A 4/1978 Luckenbill  
4,177,826 A 12/1979 Luckenbill  
4,227,544 A 10/1980 Luckenbill  
4,398,556 A 8/1983 Pereira et al.  
D282,109 S \* 1/1986 Golden ..... D23/234  
D307,402 S \* 4/1990 Rouse, Jr. .... D11/157  
D314,227 S \* 1/1991 Christ ..... D23/215



(56)

**References Cited**

U.S. PATENT DOCUMENTS

7,559,338 B2 \* 7/2009 Scobie ..... E03B 9/06  
137/527  
7,797,972 B2 \* 9/2010 Nickeas ..... E05B 67/36  
137/382  
D631,134 S \* 1/2011 German ..... D23/234  
8,302,623 B1 \* 11/2012 Nichols ..... F16K 15/03  
137/283  
8,443,834 B2 \* 5/2013 Williams ..... F16K 15/033  
137/299  
D734,585 S \* 7/2015 Brennan ..... D34/4  
D844,115 S \* 3/2019 Burton ..... D23/256

OTHER PUBLICATIONS

Jones; Catalog for “Section 8—Fire Protection”, revised Nov. 2016,  
8 pgs.

Jones; Specification sheet for “Fire Hydrant—2 Nozzle Ductile Iron  
(J4040)”, revised May 6, 2016, 1 pg.

Jones; Specification sheet for “Fire Hydrant—2 Nozzle Ductile Iron  
(J4040HP)”, revised May 6, 2016, 1 pg.

Childress, Justin Blaine; Applicant-Initiated Interview Summary for  
U.S. Appl. No. 15/860,818, filed Jan. 3, 2018, dated Feb. 6, 2019,  
4 pgs.

Childress, Justin Blaine; Non-Final Office Action for U.S. Appl. No.  
15/860,818, filed Jan. 3, 2018, dated Jan. 29, 2019, 22 pgs.

\* cited by examiner

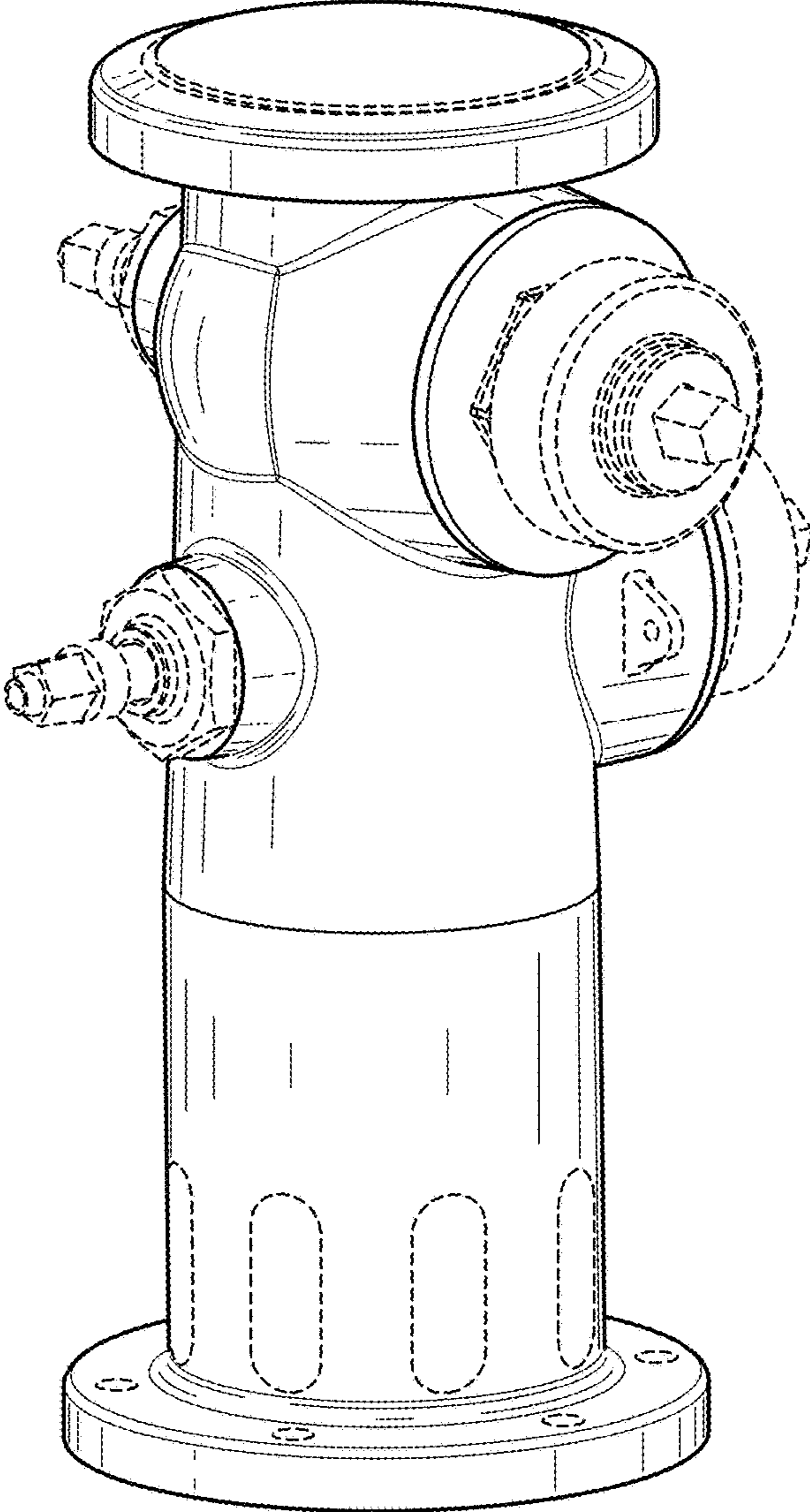


FIG. 1

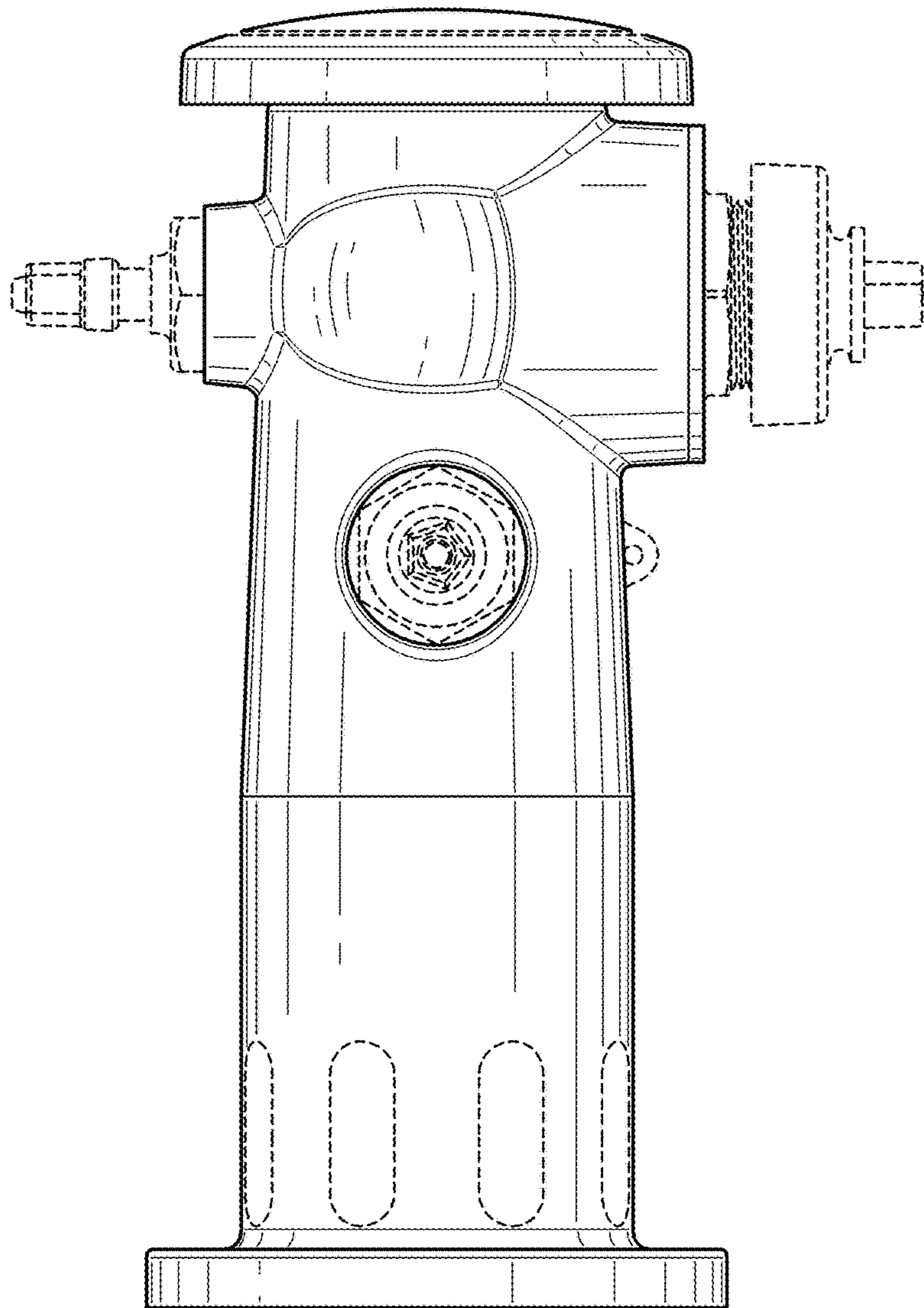


FIG. 2

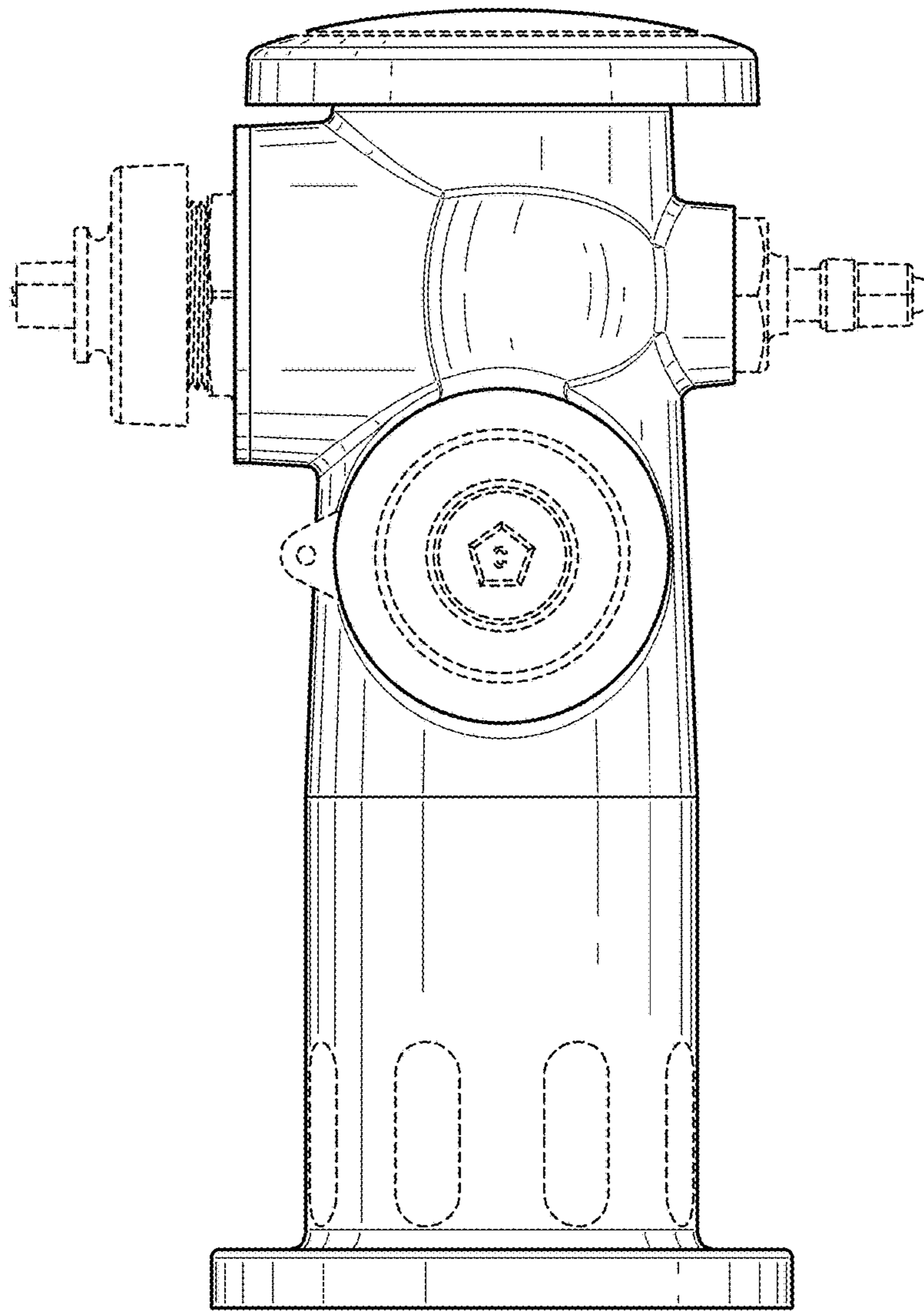


FIG. 3



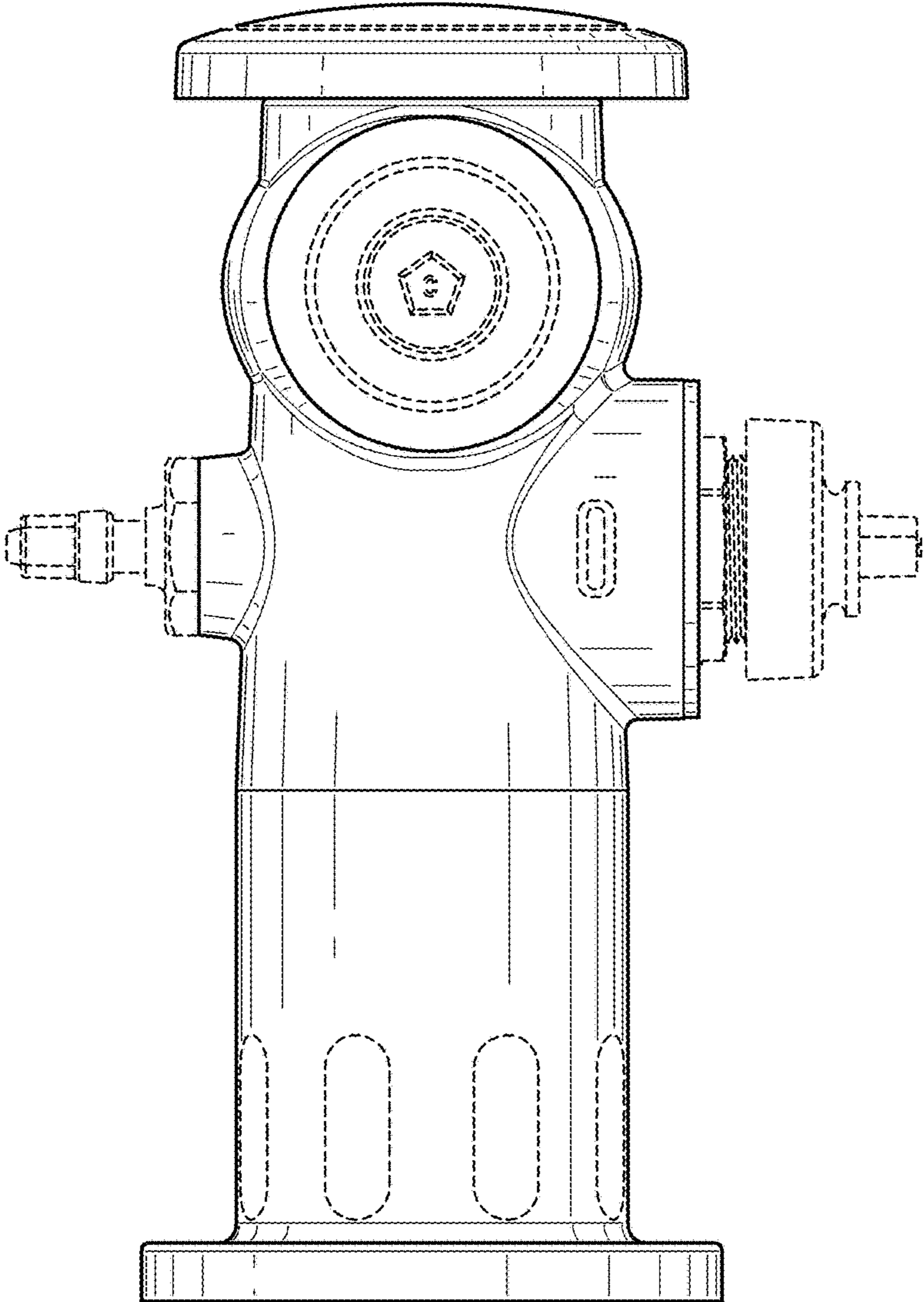


FIG. 4

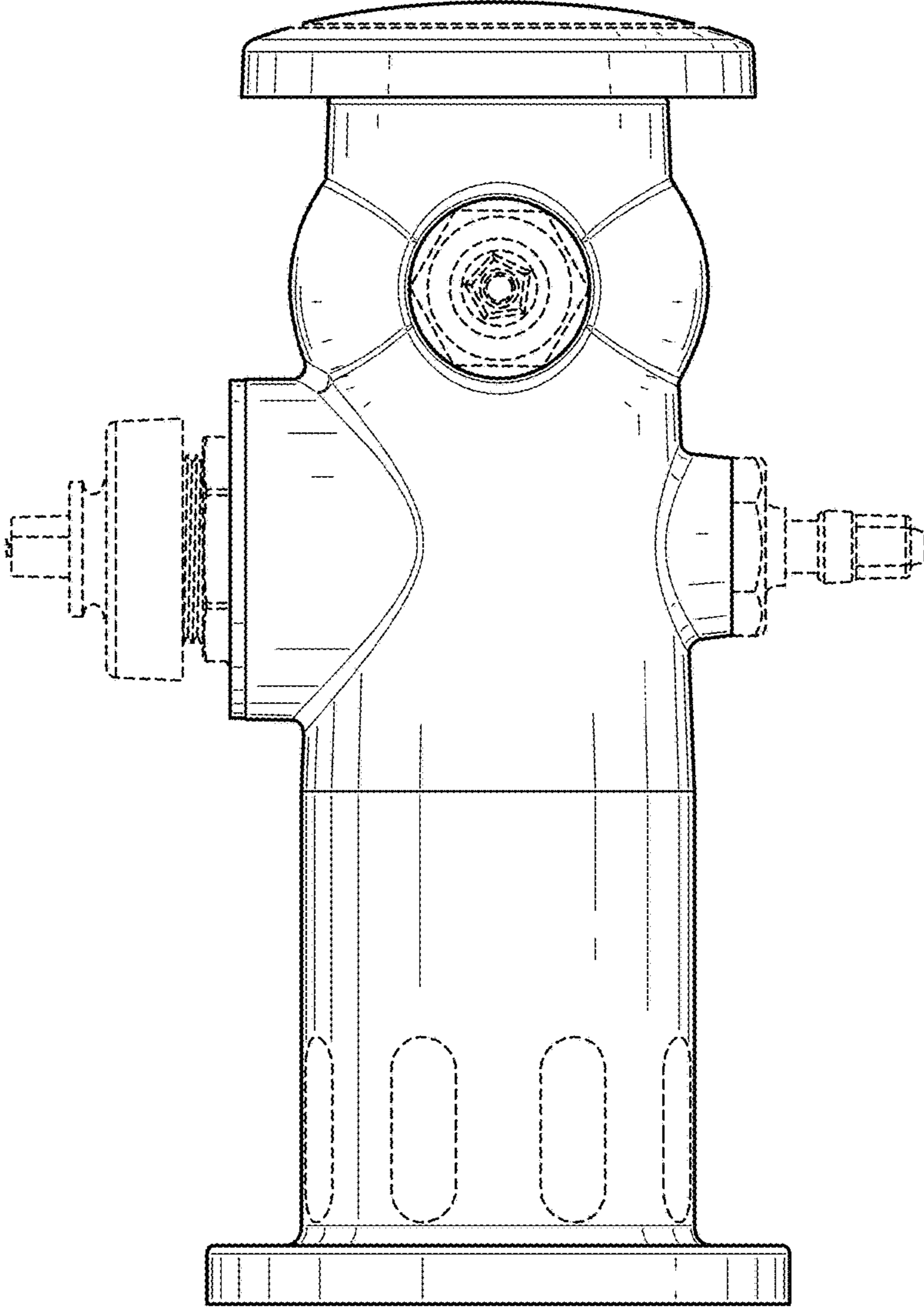


FIG. 5

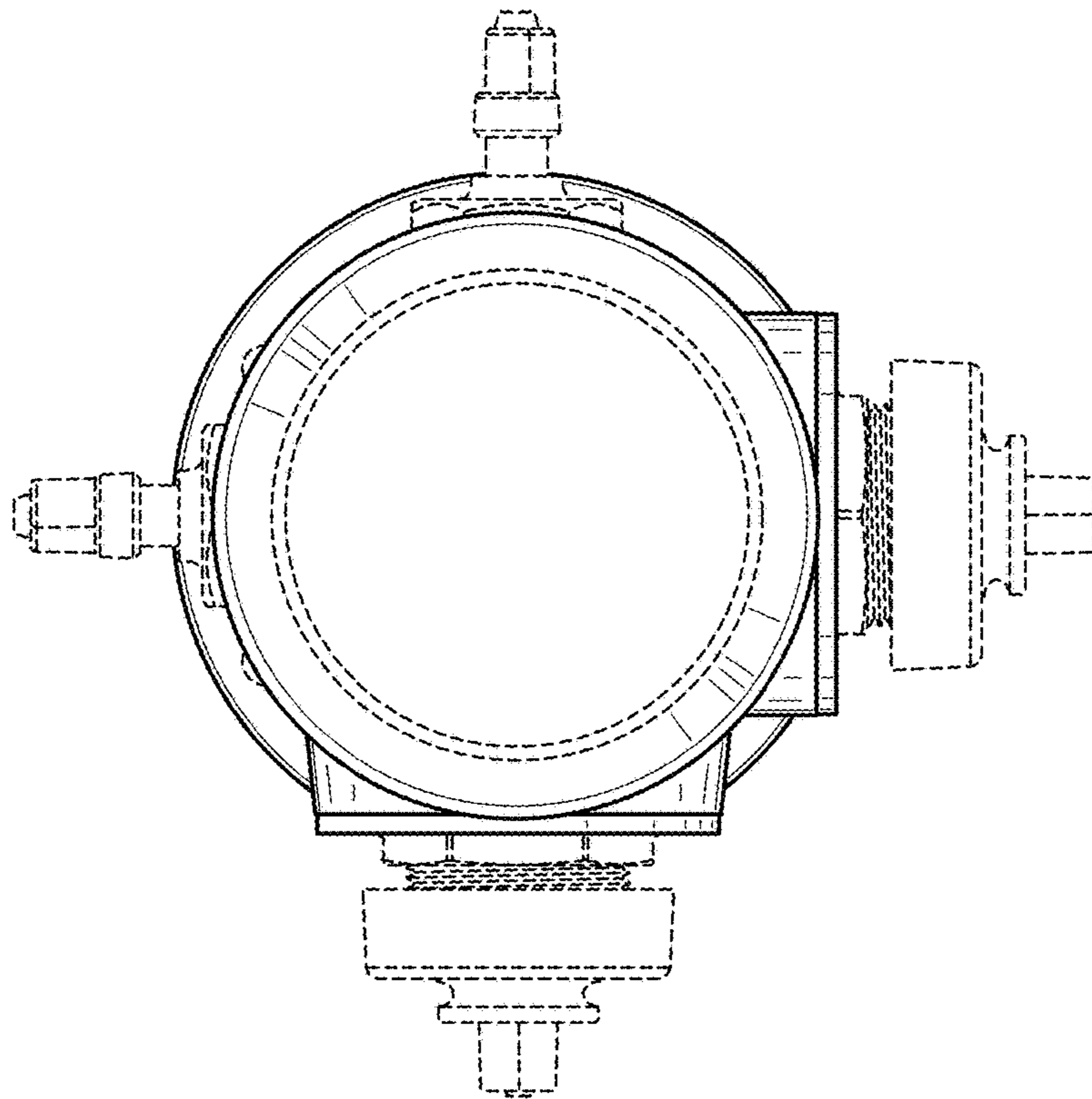


FIG. 6



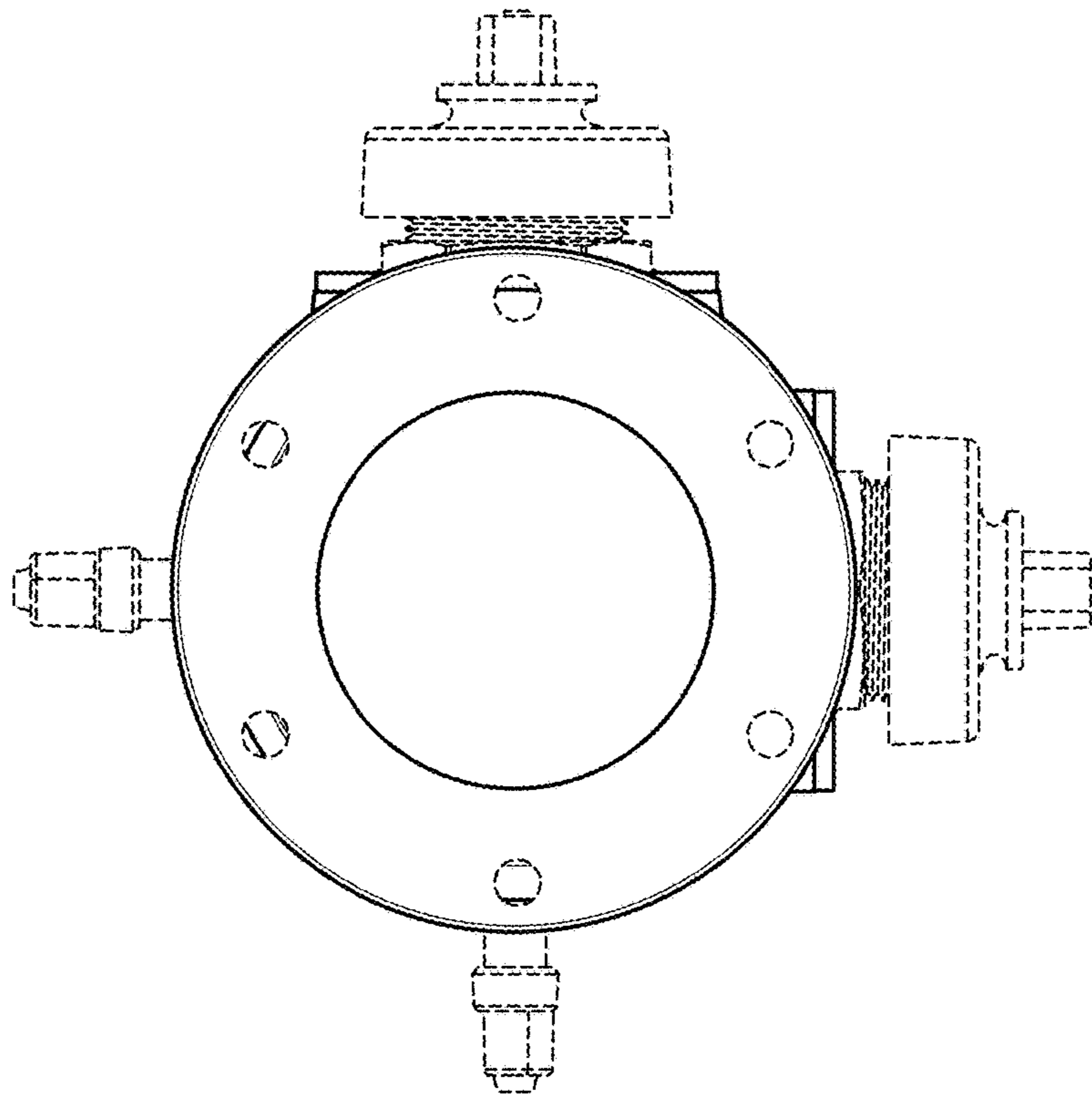


FIG. 7