



US00D852931S

(12) **United States Design Patent**  
**Lee et al.**

(10) **Patent No.:** **US D852,931 S**  
(45) **Date of Patent:** **\*\* Jul. 2, 2019**

(54) **HYDROGEN DISPENSING NOZZLE**

(71) Applicant: **SHELL OIL COMPANY**, Houston, TX (US)

(72) Inventors: **Dongkyu Lee**, Munich (DE); **Per Tommy Forsgren**, Munich (DE); **Tithima Supavanichyanont**, Munich (DE)

(73) Assignee: **SHELL OIL COMPANY**, Houston, TX (US)

(\*\*) Term: **15 Years**

(21) Appl. No.: **29/614,553**

(22) Filed: **Aug. 21, 2017**

(30) **Foreign Application Priority Data**

Feb. 21, 2017 (GB) ..... 6007721

(51) **LOC (11) Cl.** ..... **23-01**

(52) **U.S. Cl.**  
USPC ..... **D23/213**

(58) **Field of Classification Search**  
USPC ..... D23/213, 223, 226; 141/208, 209, 392, 141/271; 239/532; 222/566  
CPC ..... B05B 15/061; B05B 1/00; B05B 5/00; B05B 1/005; B05B 3/00; B05B 9/01; B05B 7/1209; A62C 31/22; B67D 7/42  
See application file for complete search history.

(56) **References Cited**

**U.S. PATENT DOCUMENTS**

1,872,058 A \* 8/1932 Bramsen ..... B05B 7/04  
239/416.4  
3,363,842 A \* 1/1968 Burns ..... A62C 31/03  
239/441  
D219,214 S \* 11/1970 Eklund ..... D23/226  
D221,547 S \* 8/1971 Kleves ..... D23/226

D223,491 S \* 4/1972 Smart et al. .... D23/226  
3,704,831 A \* 12/1972 Clark ..... A62C 31/03  
239/394  
D355,704 S \* 2/1995 Simpson ..... D23/223  
5,577,561 A \* 11/1996 Cook ..... A62C 31/22  
169/62  
5,795,053 A \* 8/1998 Pierce ..... A62B 3/00  
362/191  
6,854,491 B1 \* 2/2005 Knight ..... B67D 7/54  
141/206  
7,258,285 B1 \* 8/2007 Combs ..... A62C 31/03  
239/436  
D650,047 S \* 12/2011 Varini ..... A62B 3/00  
D23/226  
D656,221 S \* 3/2012 Gevers ..... A62C 31/03  
D23/226  
D684,664 S \* 6/2013 Gevers ..... A62C 31/03  
D23/226  
8,539,997 B2 \* 9/2013 Driftmeyer ..... B67D 7/42  
137/554  
9,630,201 B2 \* 4/2017 Fabrey ..... B05B 15/061

\* cited by examiner

*Primary Examiner* — Robin V Webster

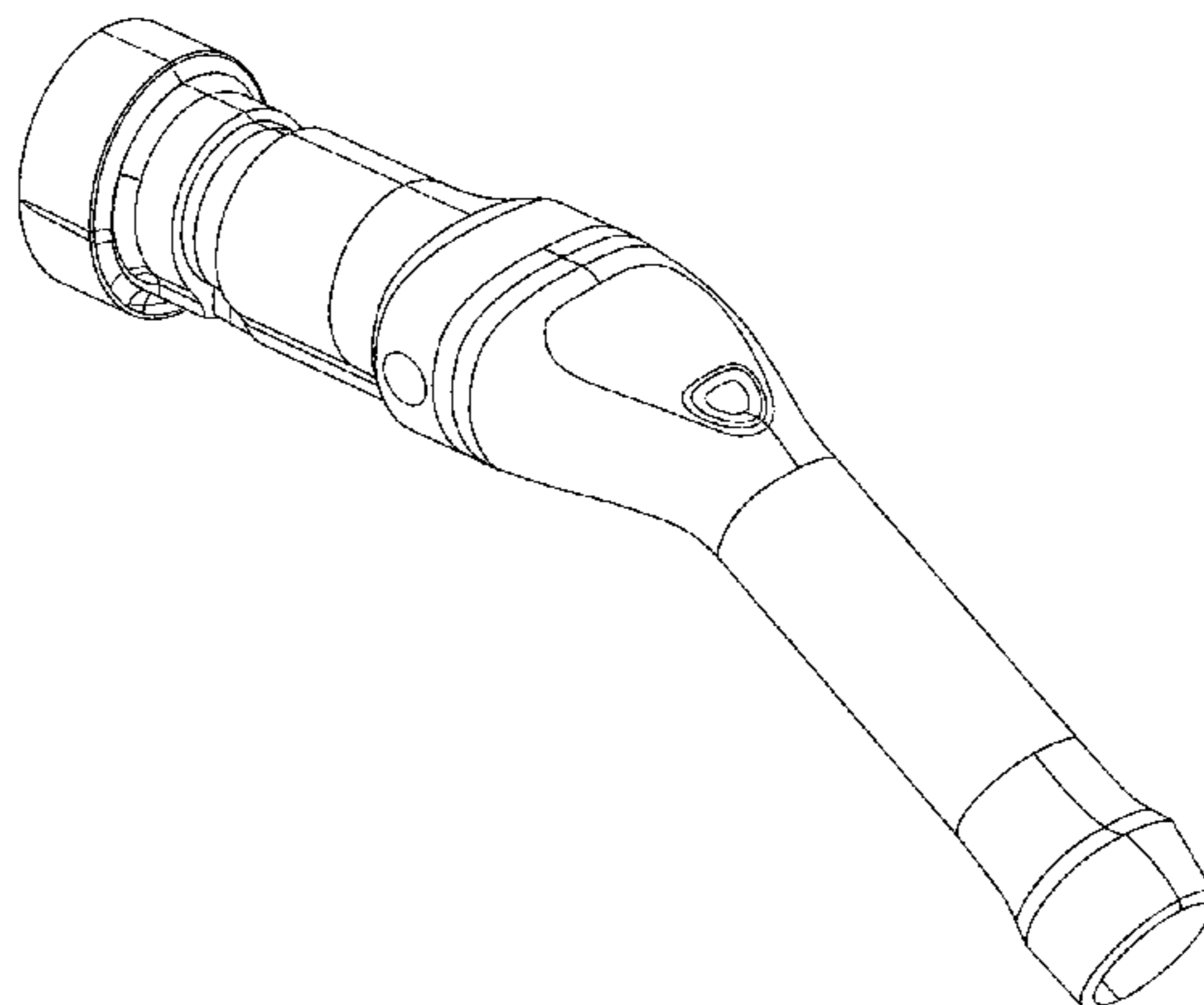
(57) **CLAIM**

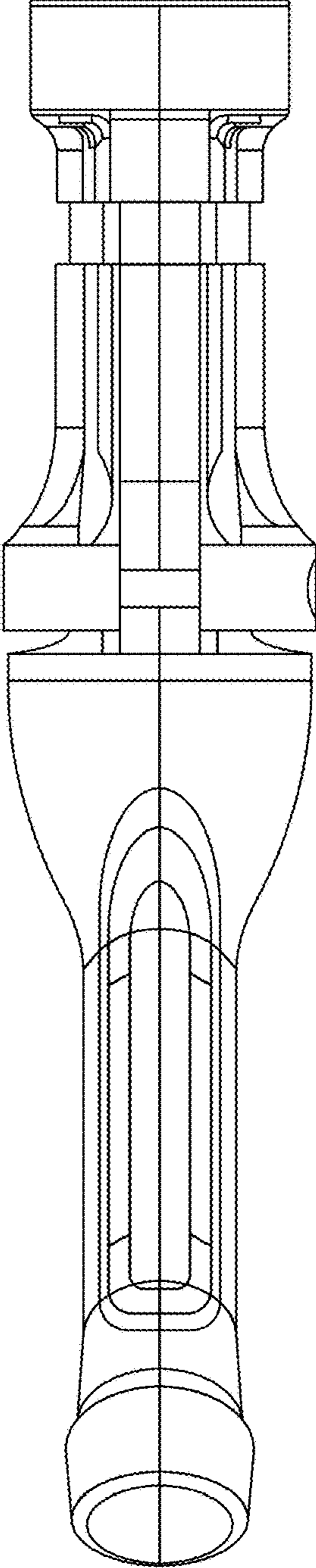
The ornamental design for a hydrogen dispensing nozzle, as shown and described.

**DESCRIPTION**

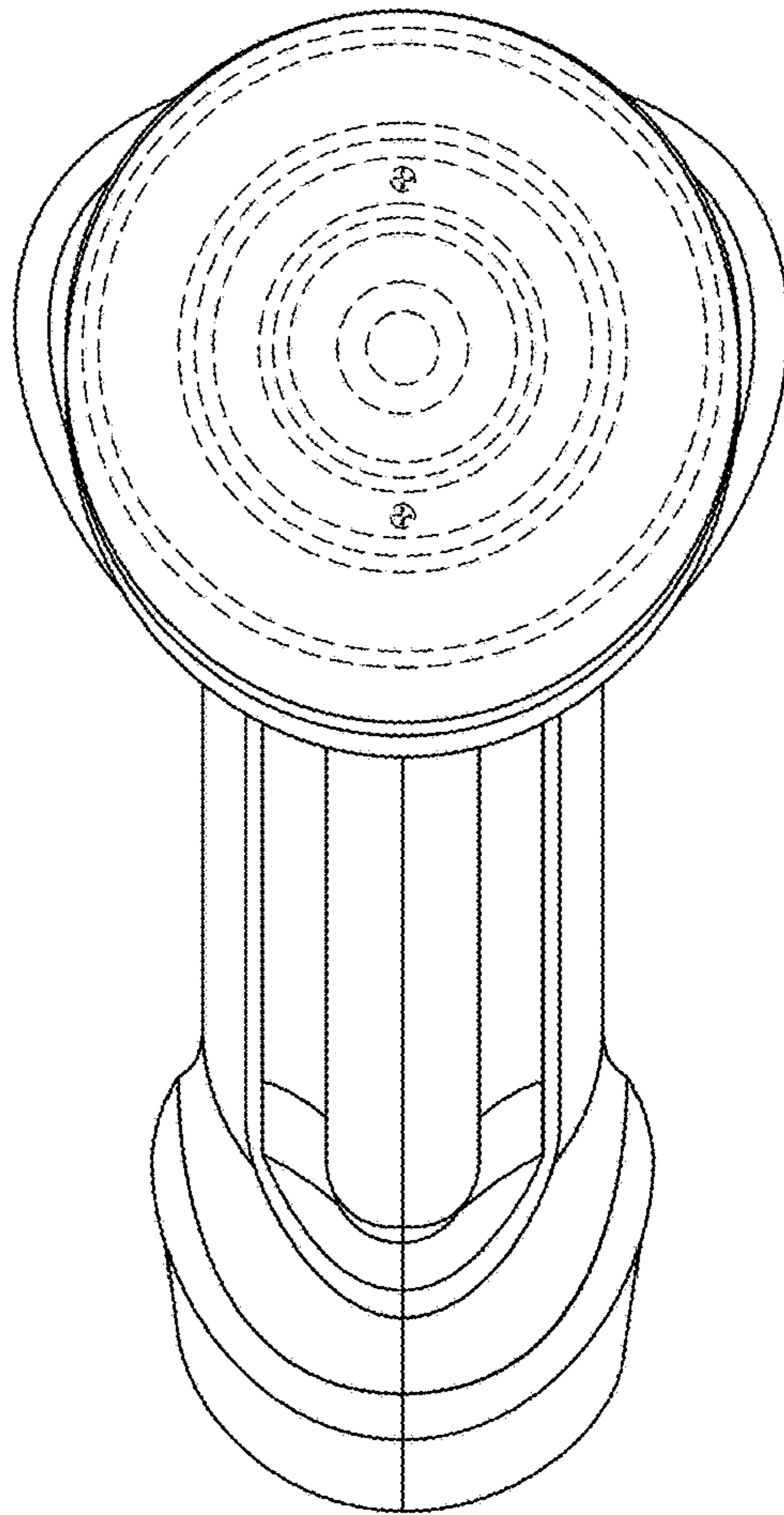
FIG. 1 is a bottom view of a hydrogen dispensing nozzle showing our new design;  
FIG. 2 is a rear elevational view thereof;  
FIG. 3 is a left side elevational view thereof;  
FIG. 4 is a perspective view thereof;  
FIG. 5 is a front elevational view thereof;  
FIG. 6 is a right side elevational view thereof; and,  
FIG. 7 is a top view thereof.  
The broken line showing of a portion of the nozzle in FIG. 2 is included for the purpose of illustrating and forms no part of the claimed design.

**1 Claim, 7 Drawing Sheets**





**FIG. 1**



**FIG. 2**

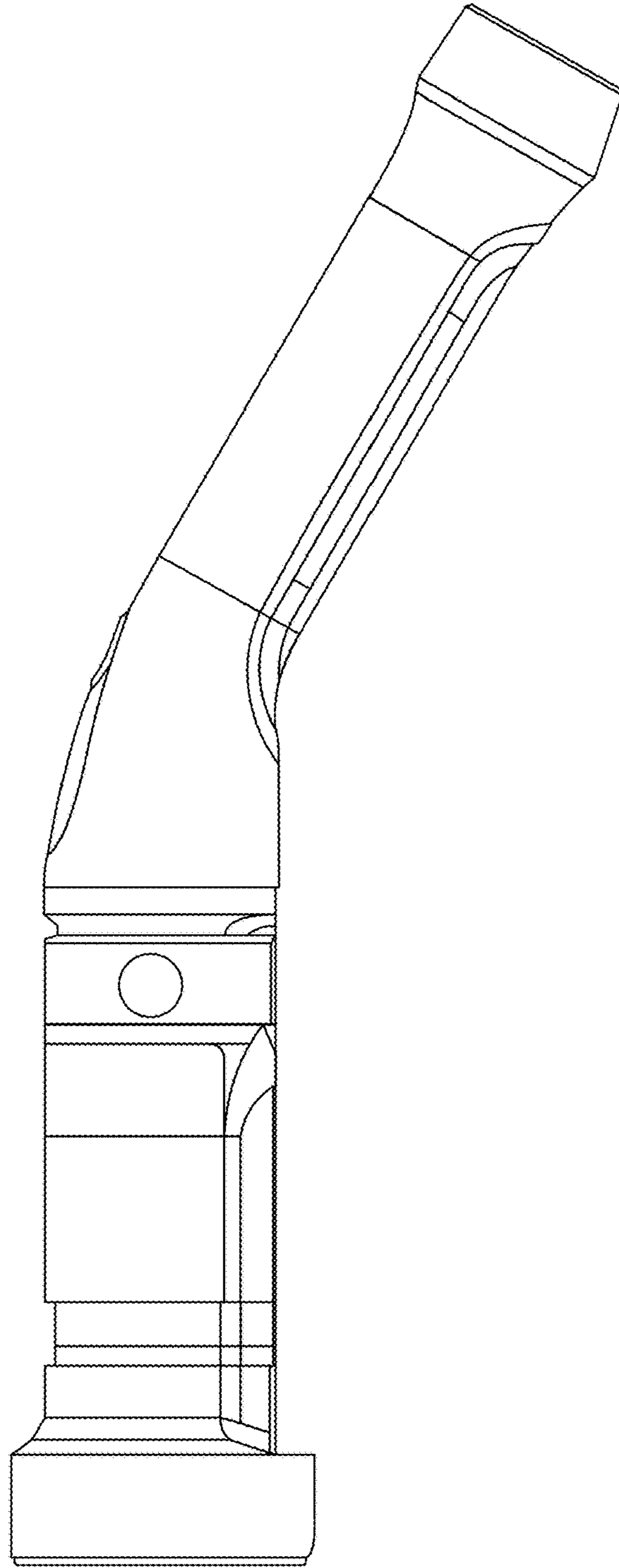
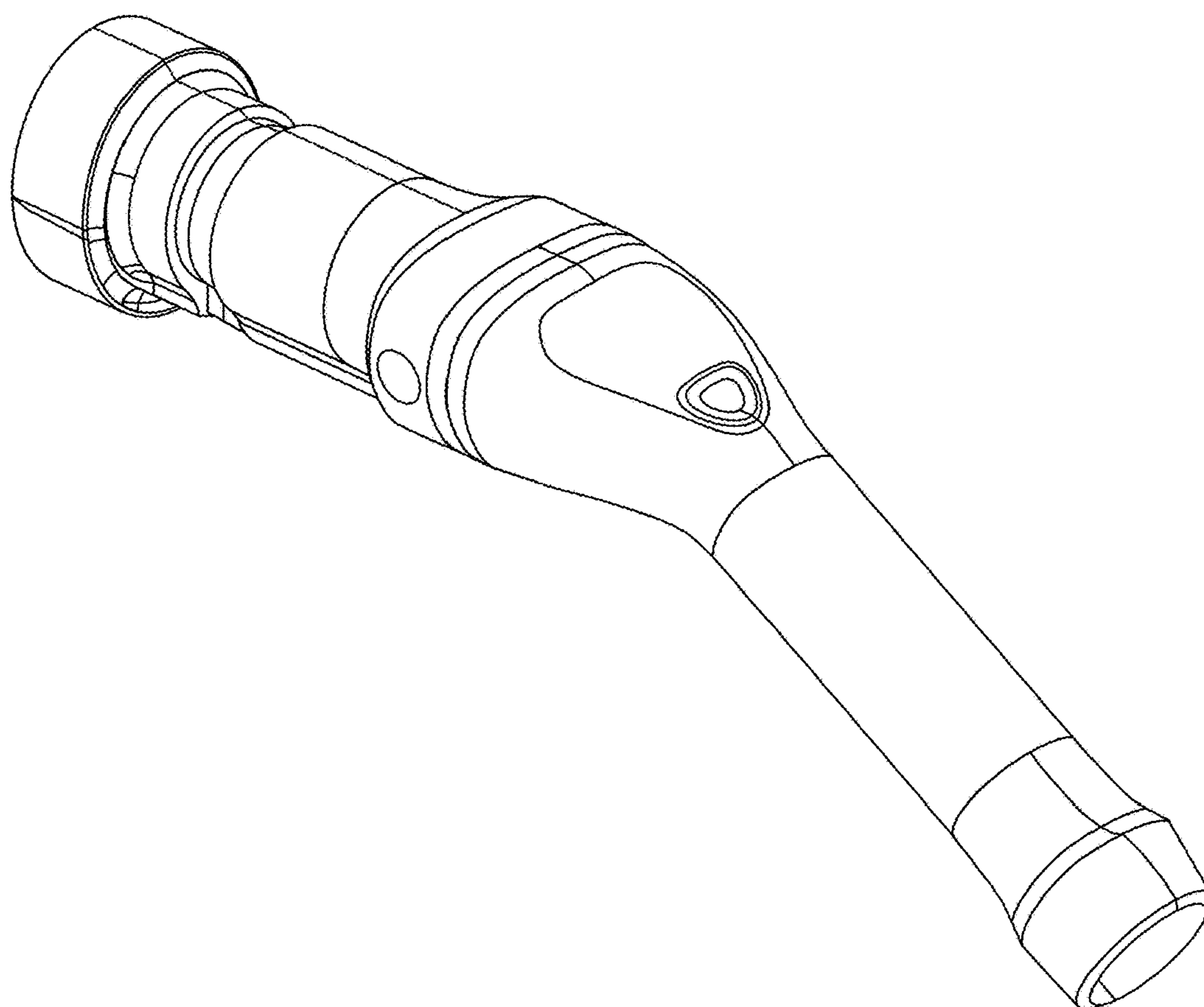
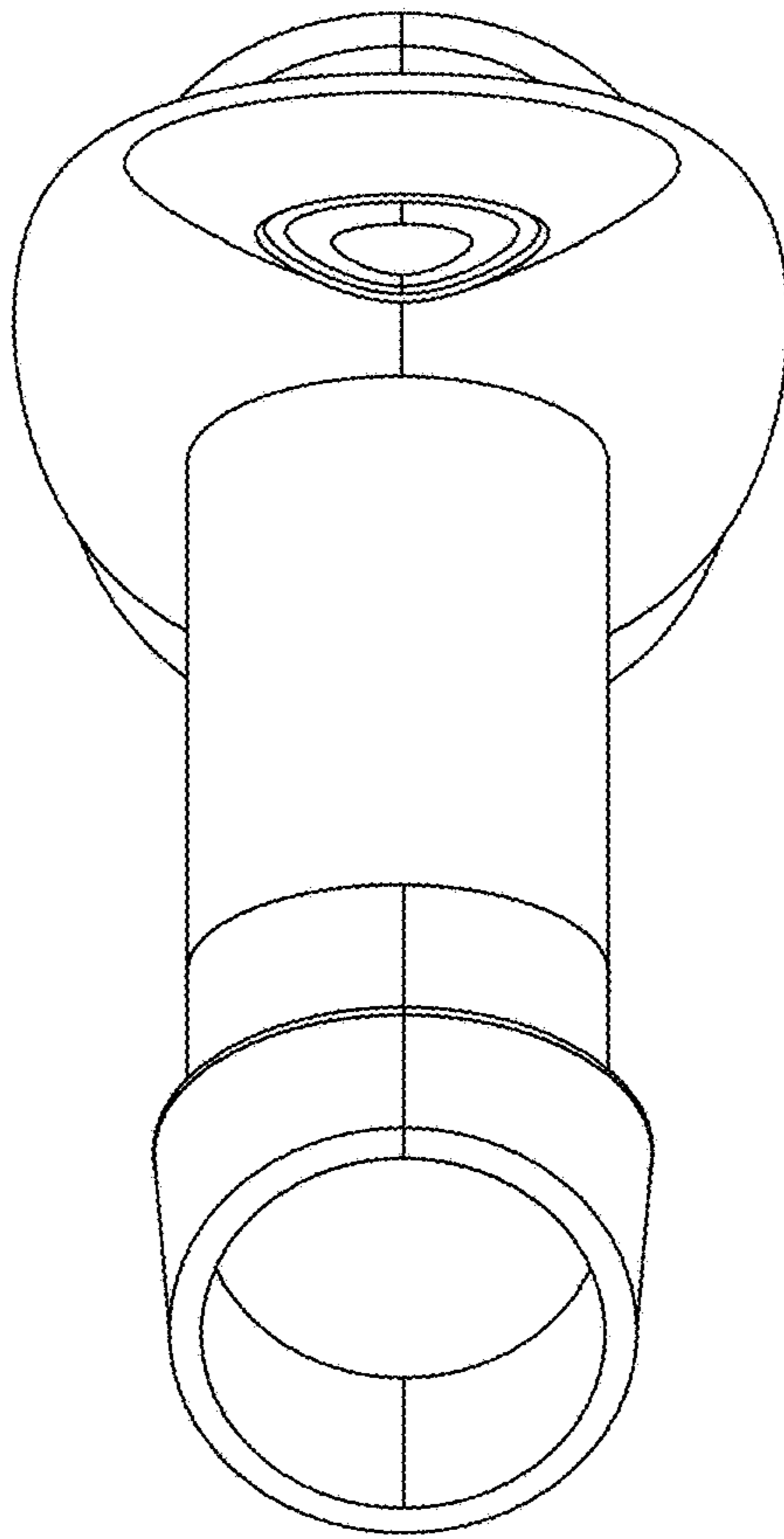


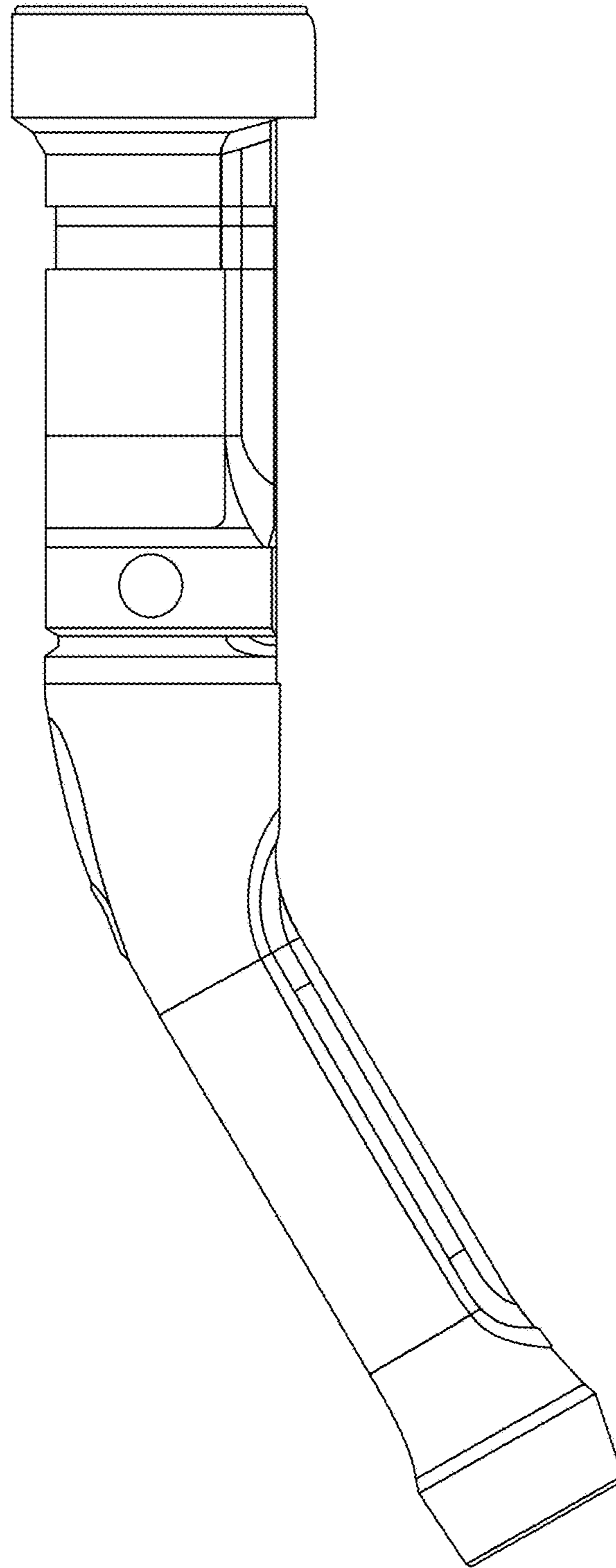
FIG. 3



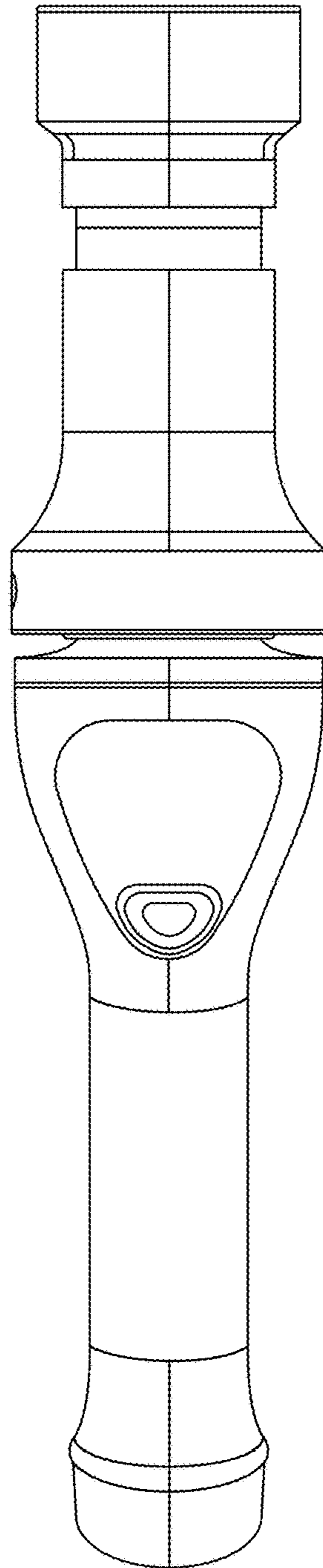
**FIG. 4**



**FIG. 5**



**FIG. 6**



**FIG. 7**